

# CLEANFIX RA 431 E 230V

## Contents

PDF created on: 10.11.2023 19:26



RA 431 E

Griff  
Poignée  
Handle  
**B 10 / ST 10**

Stossrohr  
Tuyau  
Angled tube  
**B 9 / ST 9**

Saugdüsenabhebung  
Élimination de bec de dévolteur  
Suction nozzle removal  
**B 11 / ST 11**

Frisch-und Schmutzwassertank  
Recipient d'eau propre et Recipient d'eau sale  
Clean water tank and Waste water tank  
**B 1 / ST 1**

Einbau Saugmotor  
Montage de la moteur  
d'aspiration  
Vacuum motor assembling  
**B 2 / ST 2**

Saugdüse gerade  
Bec de dévolteur justement  
Suction nozzle even  
**B 5 / ST 5**

Saugdüse gebogen  
Bec de dévolteur courbé  
Suction nozzle curved  
**B 5a / ST 5a - B 5b / ST 5b**

Chassis und Laufrad  
Chassis et Roue  
Chassis and Wheel  
**B 3 / ST 3**

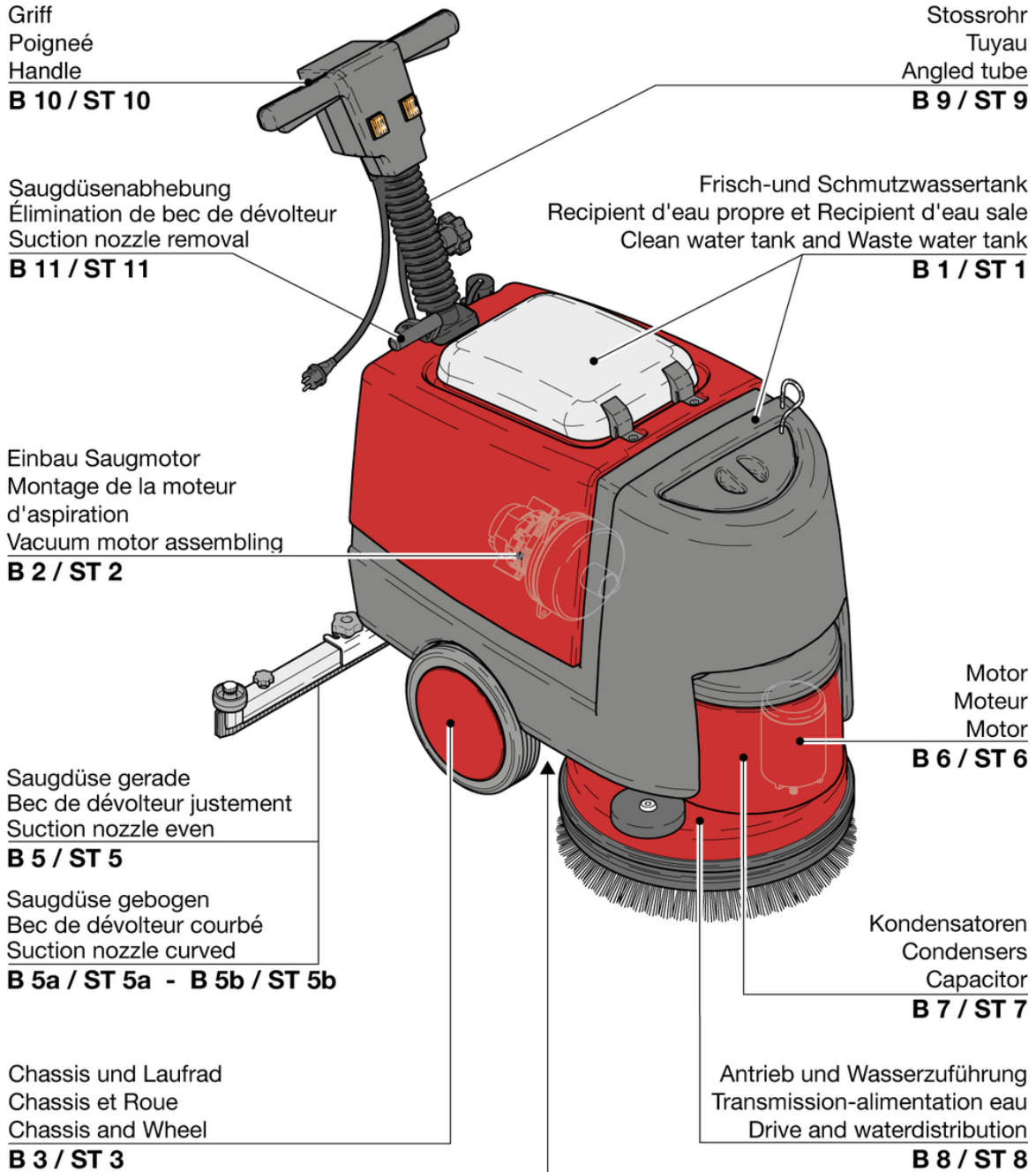
Einbau Magnetventil+Filter  
Montage-valve magnétique et Filtre  
Magnetic valve and Filter assembling  
**B 4 / ST 4**

Motor  
Moteur  
Motor  
**B 6 / ST 6**

Kondensatoren  
Condensers  
Capacitor  
**B 7 / ST 7**

Antrieb und Wasserzuführung  
Transmission-alimentation eau  
Drive and waterdistribution  
**B 8 / ST 8**

Stromlaufplan  
Diagramme électrique  
Wiring diagram  
**B 12 / ST 12**



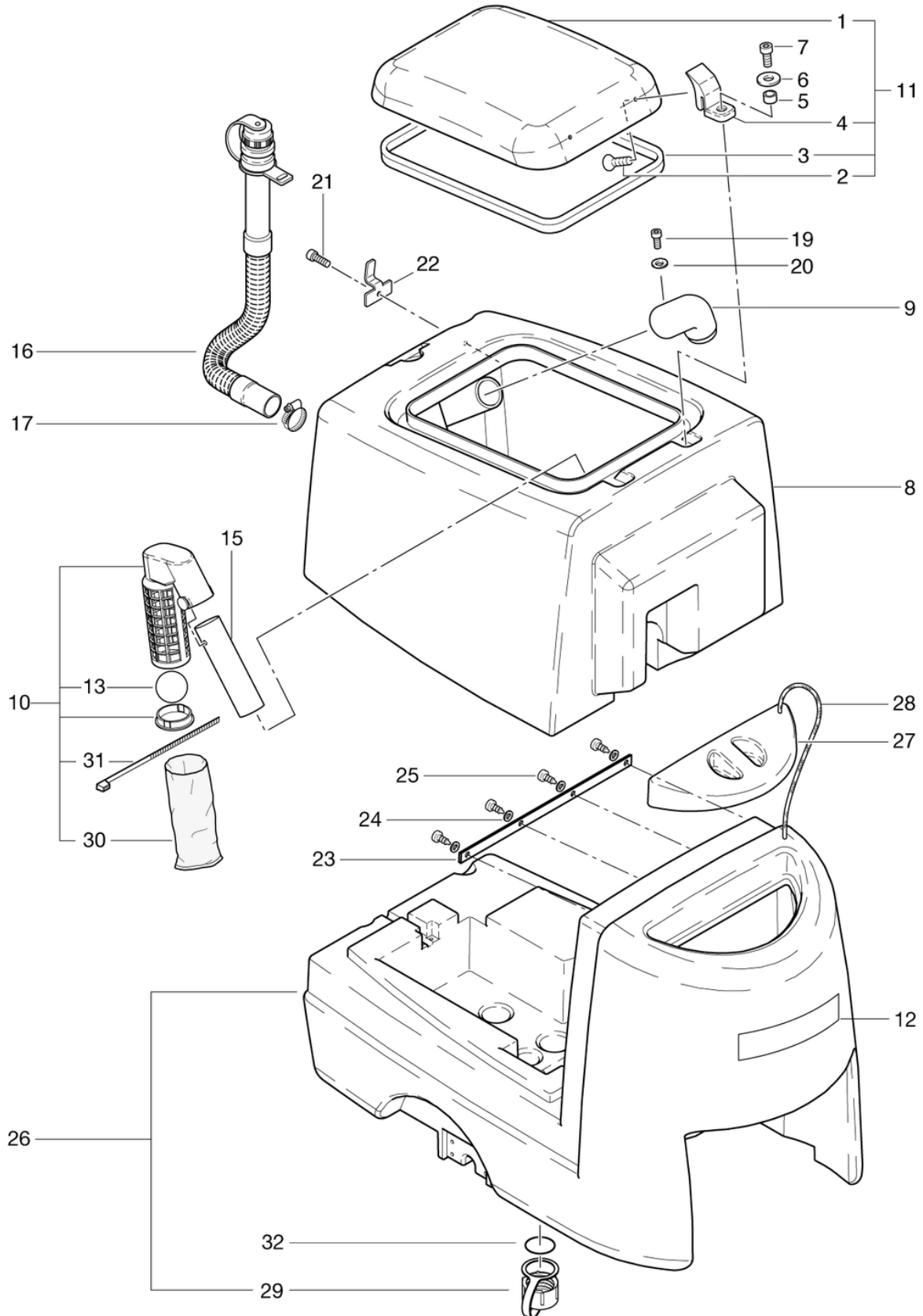
# CLEANFIX RA 431 E 230V

## Clean water tank and Waste water tank

PDF created on: 10.11.2023 19:26



RA 431 E



<b>Pos.</b>	<b>Item no.</b>	<b>Spare part</b>
1	710.120	Cover of the dirty water tank processed transparently
2	P4800	Screw DIN 965 M4 x 8 A2
3	710.121	Cover seal EPDM black
4	710.122	Rubber Hinge
5	430.618	Distance ring $\varnothing 7/5 \times 5,5$
6	P497K	Washer DIN 125 A M6 6,4/12/1,6 A2
7	P488B	Screw DIN 912 M5 x 12 A2
8	432.200	Waste water tank
9	560.674	Elbow connector $\varnothing 42 / 33$
10	432.300	Float Basket Complete
11	470.468	Hood RA 431B / 430B vorm.
12	100	Label CLEANFIX size 2
13	432.304	Ball $\varnothing 45$ mm
15	432.205	Suction Tube
16	P561	Drain hose with crimp sleeve 0.63m
17	P206D	Hose clamp 32-50mm/12
19	P484N	Screw DIN 7981 C 3,5 x 9,5
20	P496D	Shim DIN 125 A M4 4,3/9/0,8
21	P488E	Screw DIN 912 M5 x 8 A2
22	P109G	Hose holder
23	432.617	rubber profile
24	P497J	Shim DIN 9021 M3 3,2/9/0,8
25	P483H	Screw DIN 7981 C 2,9 x 6,5 A2
26	432.100	Clean water tank
27	432.115	Clean Water Cover
28	432.750	Holding rope $\varnothing 3 \times 260$ mm
29	432.110	Cover for Execution
30	432.315	Filter Bag
31	P609B	Cable tie weatherproof- 3,5 x 200
32	500.411	Seal for cover

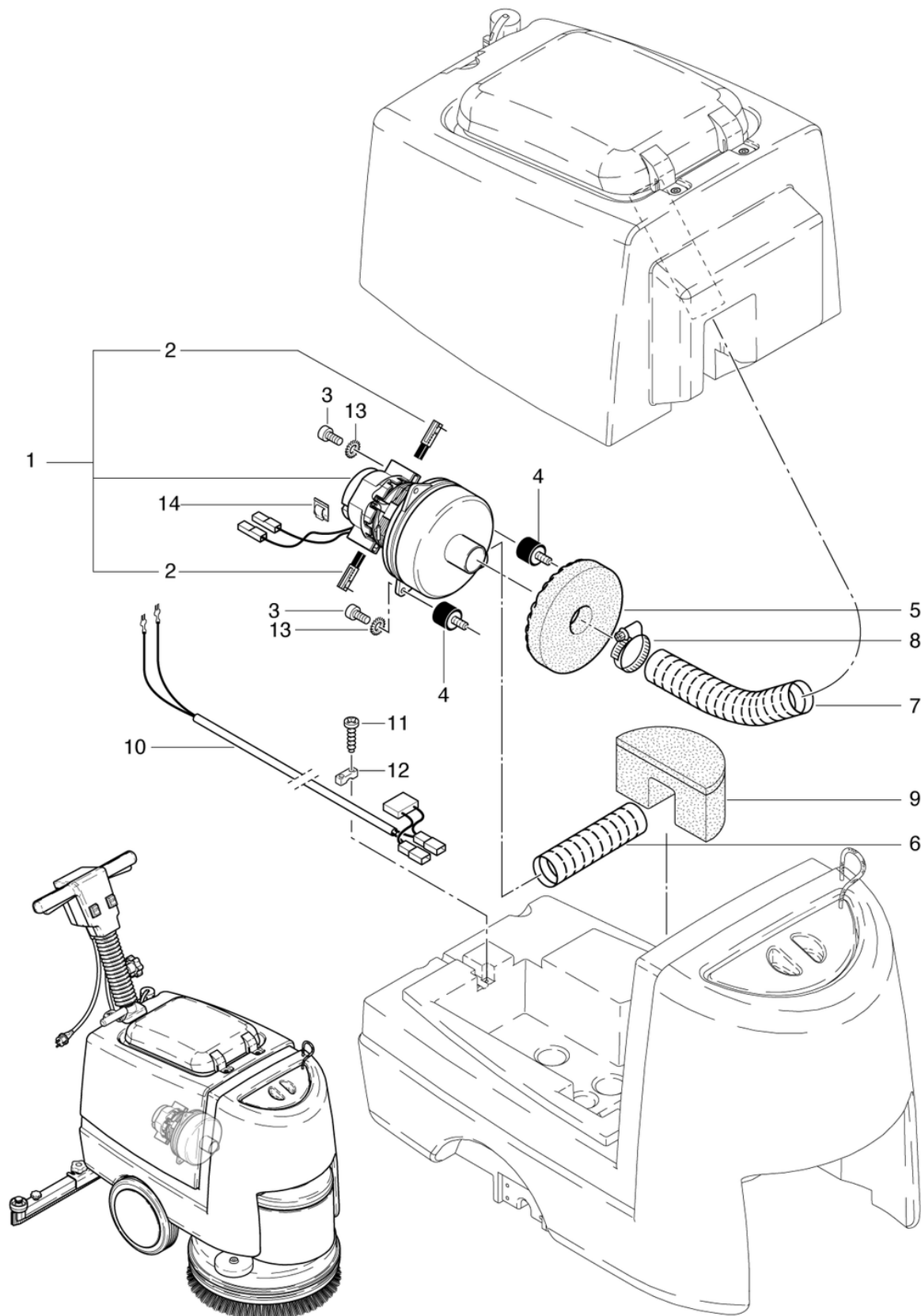
# CLEANFIX RA 431 E 230V

## Vacuum motor assembling

PDF created on: 10.11.2023 19:26



RA 431 E



<b>Pos.</b>	<b>Item no.</b>	<b>Spare part</b>
1	P881	Suction motor 230V/50-60Hz
2	P870KB	Carbon brushes (pair) OEP
3	P486R	Screw DIN 912 M6 x 16
4	500.499	Round Buffer M6 x 8,5, ø20 x 15 mm
5	432.349	Noise Absorber
6	432.351	Exhaust air hose suction blower compl.
7	432.352	Suction hose NW38 x 0.28m
8	P206D	Hose clamp 32-50mm/12
9	432.353	Muffler Complete
10	432.319D	Wiring harness suction motor incl. suppression cond.
11	P476E	Screw DIN 7985 M5 x 16 A2
12	4611085	Cable Clamp
13	P498K	Shim DIN 6798 M6 6,4/11/0,7
14	P360	Nature cable holder

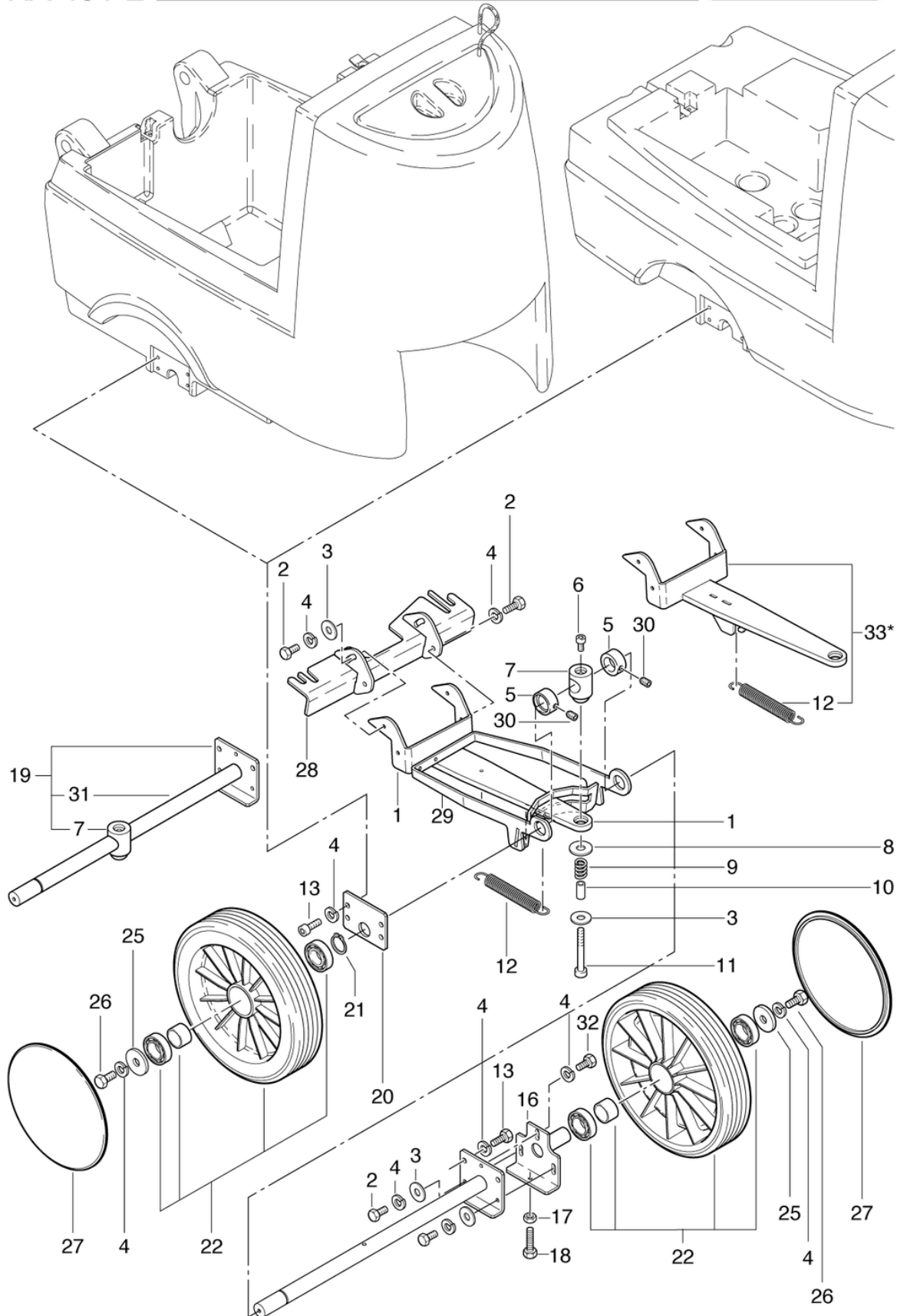
# CLEANFIX RA 431 E 230V

## Chassis and Wheel

PDF created on: 10.11.2023 19:26



RA 431 E



\* bis Masch.-Nr. / to machine no. / au no. de machine **8820.001**

<b>Pos.</b>	<b>Item no.</b>	<b>Spare part</b>
1	432.082A	Squeegee support inner
2	P472R	Screw DIN 933 M6 x 12 A2
3	P497H	Washer DIN 9021 M6 6,4/18/1,6 A2
4	P498U	Ring DIN 127 B M6 6,1/11,8/1,6 A2
5	P335	Ring Ø32/20 x 14
6	P486YC	Screw DIN 912 M6 x 10 A2
7	432.063A	Ball stud rustproof
8	P496S	Washer DIN 9021 M10 10,5/30/2,5 A2
9	432.083	Spring VD-284 2.5 / 15/22
10	432.081	Distance ring ø9.6 / 6.2 x 30
11	P486Y	Screw DIN 912 M6 x 40 A2 with shaft
12	432.084A	Mainspring 2.5 / 18 / 85.8
13	P486R	Screw DIN 912 M6 x 16
16	432.061A	Drive axle rustproof
17	P490D	Nut DIN 934 M6
18	P472T	Screw DIN 933 M6 x 20 A2
19	432.060A	Axle cpl. rustproof
20	432.062A	right sheet rust-proof
21	P513EA	Ring DIN 471 20/1,2 A2
22	530.240	wheel ø226 x 53 including bearings
25	P510L	Washer DIN 522 M6 6,4/25/1,5 A2
27	530.242	Wheel Cover Red
28	432.380A	Squeegee support
29	432.090A	Squeegee support lift frame
30	P481C	Pin DIN 913 M6 x 6
31	432.064A	axle rustproof
32	P471Z	Screw DIN 933 M6 x 10 A2
33	432.075	Lever Complete

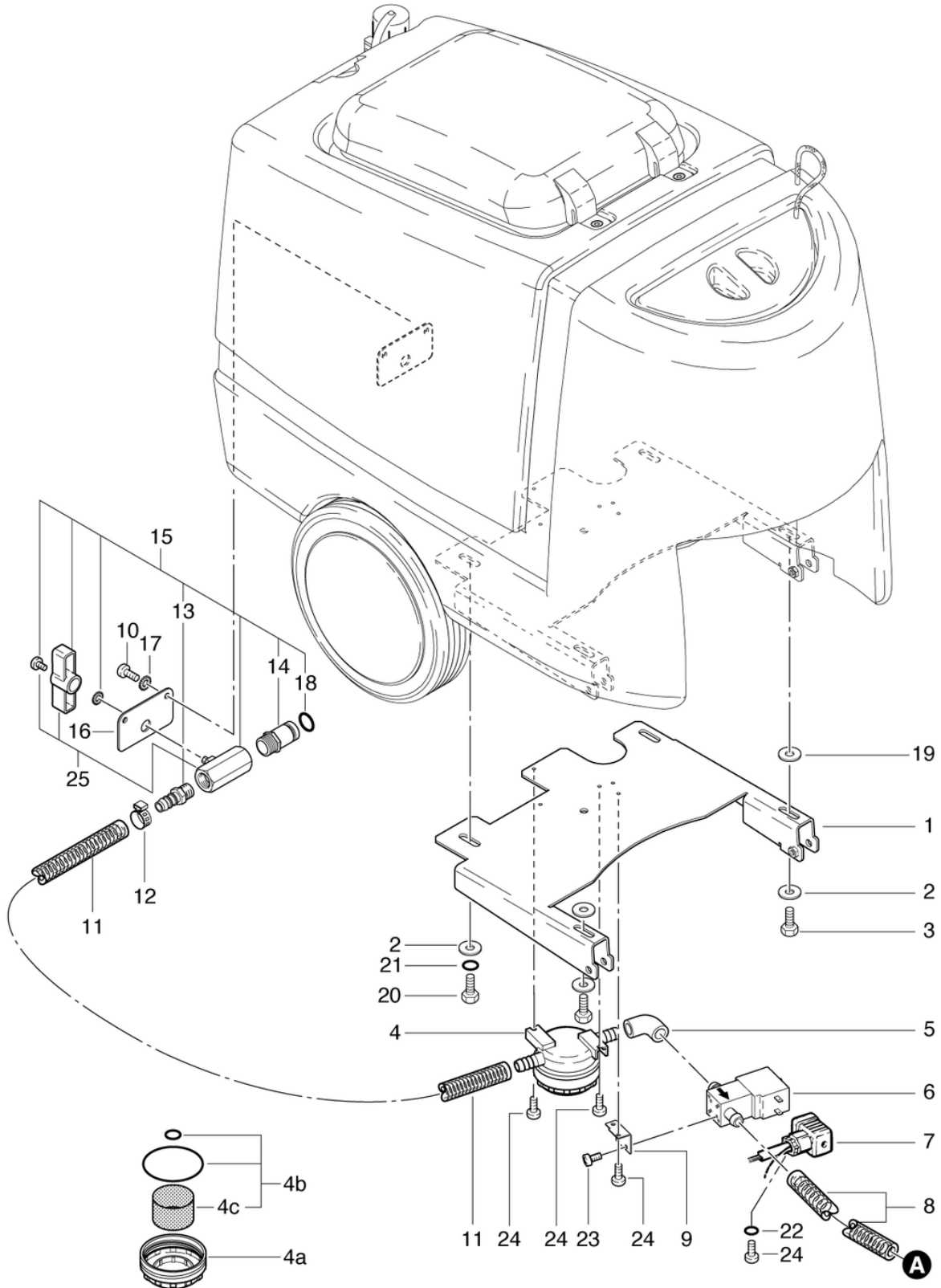
# CLEANFIX RA 431 E 230V

## Magnetic valve and Filter assembling

PDF created on: 10.11.2023 19:26



RA 431 E



Siehe Seite / See page / Voir page

**B 8**



<b>Pos.</b>	<b>Item no.</b>	<b>Spare part</b>
1	432.052A	support plate
2	P497H	Washer DIN 9021 M6 6,4/18/1,6 A2
3	P486R	Screw DIN 912 M6 x 16
4a	430.258	Cover to fresh water filter 1/2" + 3/8"
4b	430.759A	Filter Assembly
4c	430.759B	Filter sieve
4	430.759	Fresh water filter 1/2"-1/2" mesh 40
5	432.091	Elbow connector
6	P257	Magnetic valve 230V 50/60 Hz
7	432.710	Cable for Magnetic Valve
8	430.231	Hose lye pipe mag valve 62cm
9	432.096A	angle bracket valve rustproof
10	P481Z	Screw DIN 7985 M5 x 10 A2
11	432.151A	Hose 0,46 m
12	P550N	Hose clamp 19.8-706R
13	P519B	Nipple 1/2
14	432.087	Nipple 1/2
15	432.085	Valve Complete
16	432.092A	Plate for ball valve, printed rust-free
17	P498D	Washer DIN 6798 M5 5,1/9/0,5 A2
18	P9600	Ring DIN 3771 15,88/2,62
19	P510L	Washer DIN 522 M6 6,4/25/1,5 A2
20	P486QA	Screw DIN 912 M6 x 14 A2
21	P498U	Ring DIN 127 B M6 6,1/11,8/1,6 A2
22	P498A	Ring DIN 127 B M4 4,1/7,6/0,9 CuSn
23	P515W	Screw WN 1451 K40 x 8
24	P476V	Screw SN 213306 M4 x 5
25	500.355A	Ball valve 1/2 I-I thread

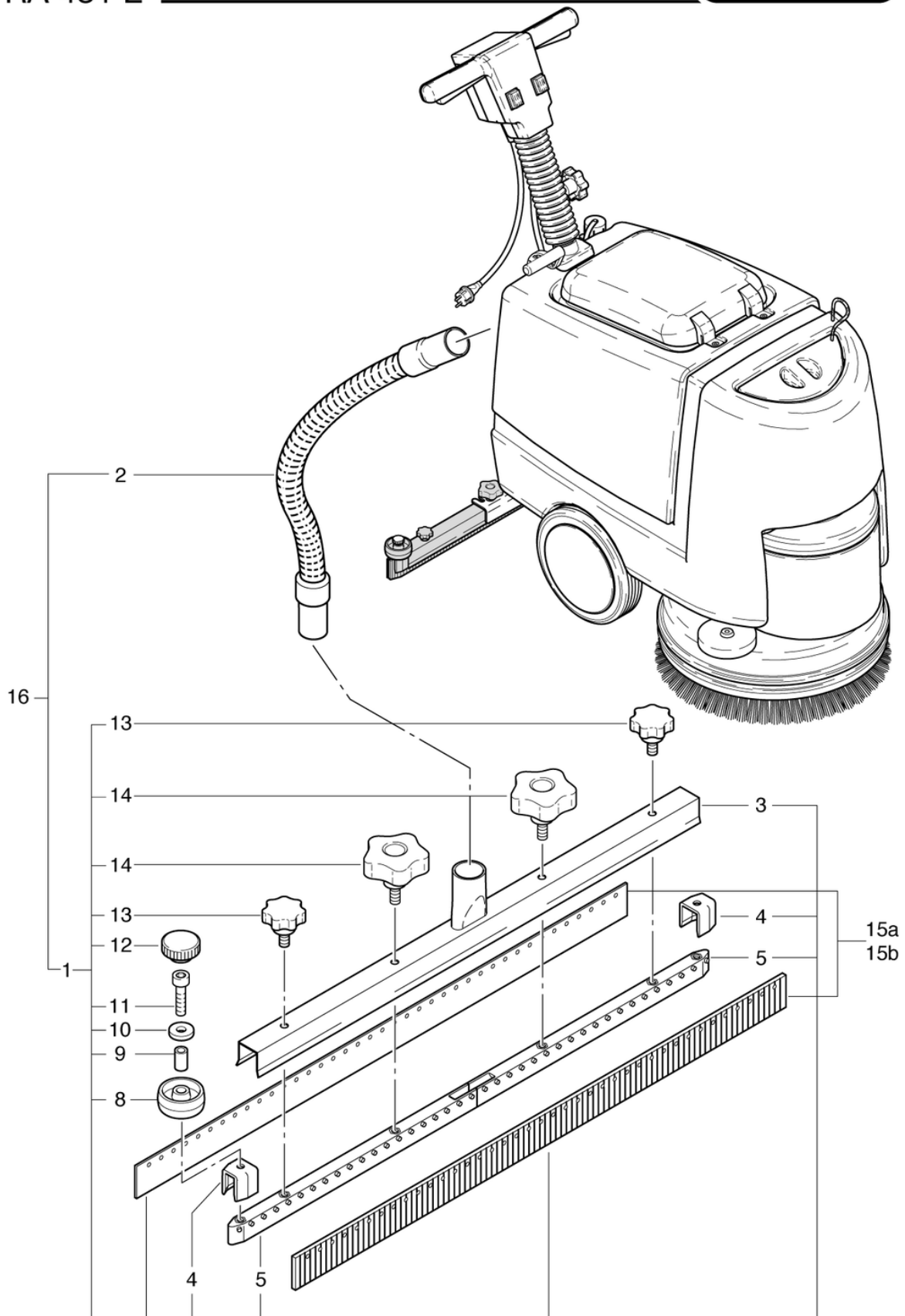
# CLEANFIX RA 431 E 230V

## Suction nozzle even

PDF created on: 10.11.2023 19:26



RA 431 E



<b>Pos.</b>	<b>Item no.</b>	<b>Spare part</b>
1	430.600	Suction nozzle Complete 70cm
2	470.831	Suction hose 0.64m
3	430.602	Suction nozzle housing
4	530.606	Nozzle End Piece
5	430.603	Holder For Blades
8	450.364F	Plastic Wheel 50mm
9	530.609	Distance tube 8/6 x 28mm
10	P497M	Shim DIN 522 6/16/1
11	P486U	Screw DIN 912 M6 x 35 A2 with shaft
12	P494X	Handle BN 5364 M6 10/20 / 7.5 POM
13	530.607	Star handle ø40 M8 x 16
14	P253M	Star grip Ø62 M8 x 18 A2
15a	430.080	Rubber blade oil resistant (suction nozzle straight)
15b	430.082	Rubber blade standard (suction nozzle straight)
16	432.025	Suction nozzle straight oil and grease resistant

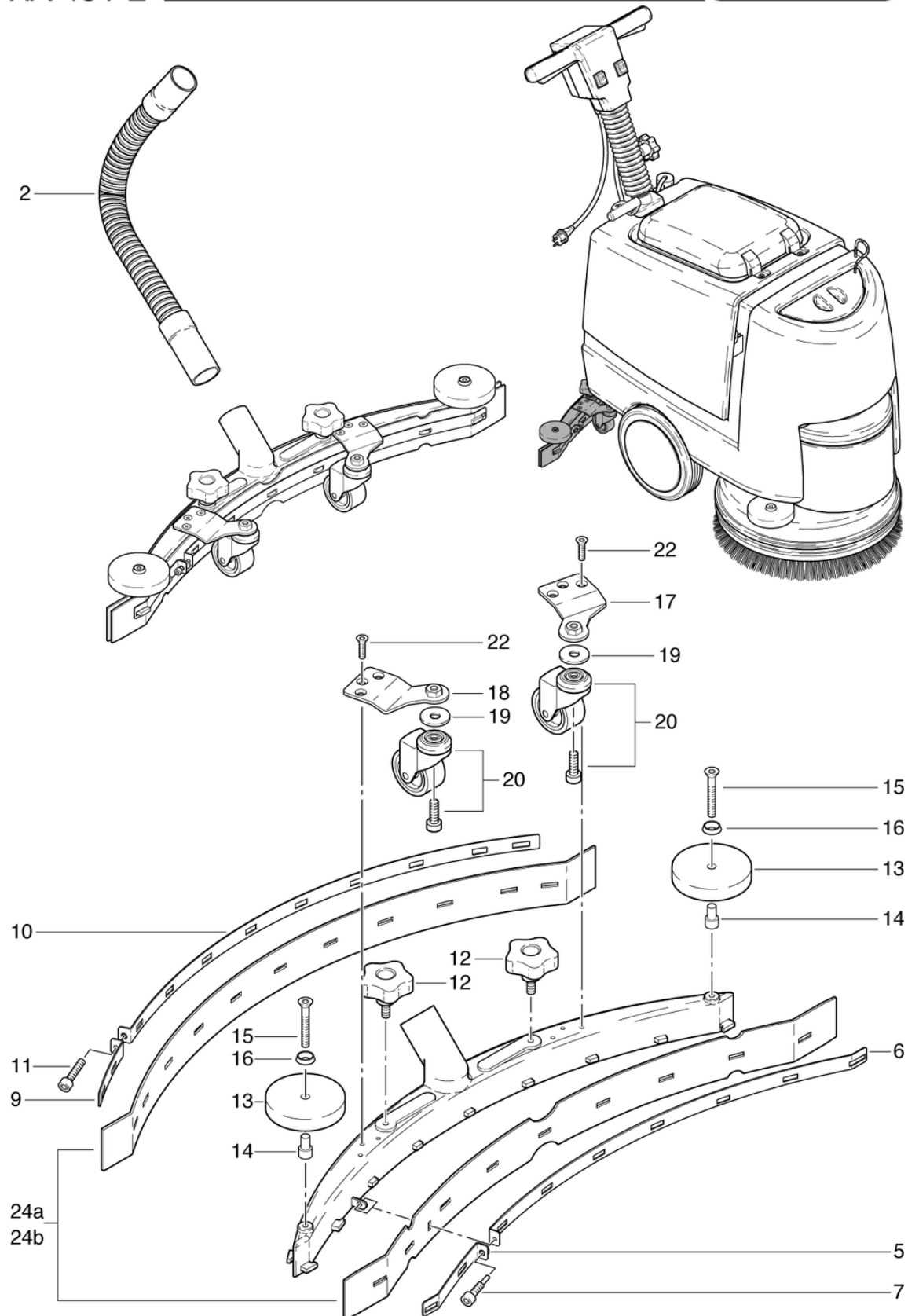
# CLEANFIX RA 431 E 230V

## Suction nozzle curved (old model)

PDF created on: 10.11.2023 19:26



RA 431 E



<b>Pos.</b>	<b>Item no.</b>	<b>Spare part</b>
2	470.832	Suction Hose Complete 32mm x 0,64m
5	432.561	Support Plate small, in front
6	432.563	Support Plate in front
7	800.425	Machined screw DIN 912 M6 x 30 A2
9	432.564	Support Plate Small in back
10	432.562	Back Support Plate
11	P488Q	Screw DIN 912 M6 x 25 A2
12	P253M	Star grip Ø62 M8 x 18 A2
13	510.127	Fender Wheel ø90mm
14	432.508	Distance ring ø15/8,5 x 26,8
15	P479P	Screw DIN 7991 M8 x 45 A2
16	P500T	Shim SN 213912 M8 25/4,8 A2
17	432.553A	roller holder left rustproof
18	432.554A	roller holder right rustproof
19	P500S	Shim DIN 433 M10 10,5/18/1,6 A2
20	P209B	Caster with Screw M10 x 20
22	P479N	Screw DIN 7991 M6 x 14 A2
24a	432.080LT	Rubber blade standard (suction nozzle curved)
24b	432.551	Rubber blade oil resistant (suction nozzle curved)

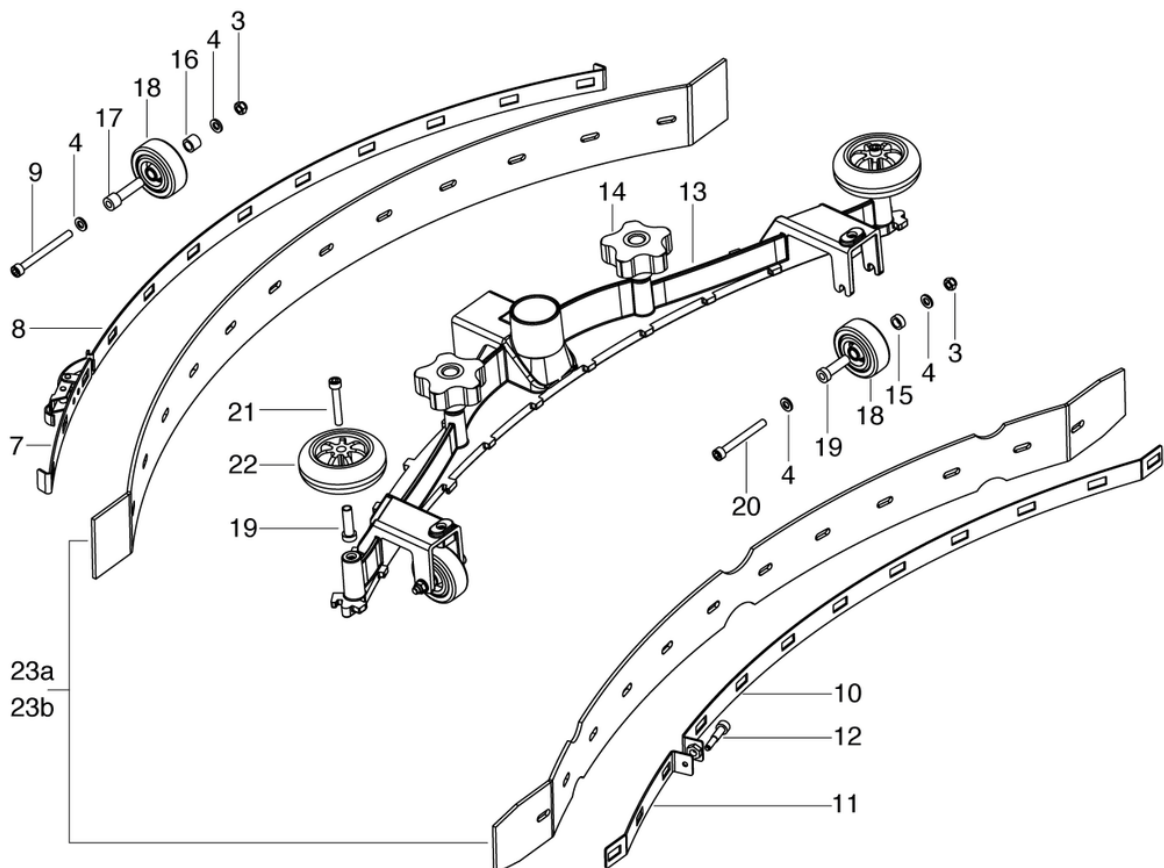
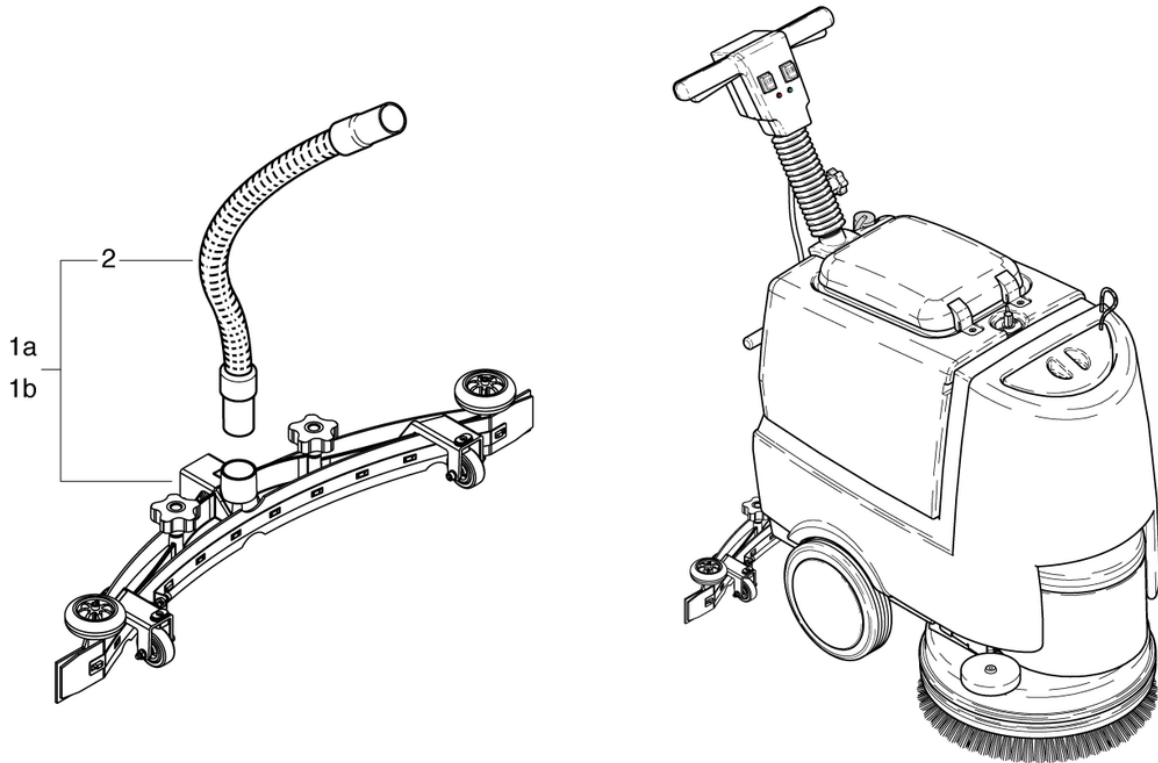
# CLEANFIX RA 431 E 230V

## Suction nozzle curved

PDF created on: 10.11.2023 19:26



RA 431 E



<b>Pos.</b>	<b>Item no.</b>	<b>Spare part</b>
1a	432.559	Suction nozzle curved, standard
1b	432.600	Suction nozzle curved oil and grease resistant
2	470.832	Suction Hose Complete 32mm x 0,64m
3	P492K	Nut DIN 985 M6 A2
4	P497K	Washer DIN 125 A M6 6,4/12/1,6 A2
7	432.565	Support plate rear right
8	432.566	Support plate rear left
9	P470F	Screw DIN 912 M6 x 65 A2
10	432.567	retaining plate left upfront
11	432.571	retaining plate right upfront
12	800.425	Machined screw DIN 912 M6 x 30 A2
13	432.573	Suction nozzle body
14	P253M	Star grip Ø62 M8 x 18 A2
15	605.304	Bushing Ø12 x Ø8 x 4.7
16	605.302	Bushing Ø12 x Ø8 x 9.5
17	605.301	Bushing Ø12 x Ø6.1 x 41
18	P204E	Wheel with solid rubber tires D50mm
19	605.303	Bushing Ø12 x Ø6.1 x 31.4
20	P470B	Screw DIN 912 M6 x 55
21	P486Y	Screw DIN 912 M6 x 40 A2 with shaft
22	P204L	Skater wheel ø75
23a	435.080LT	Rubber blade standard (suction nozzle curved)
23b	435.083	Rubber blade oil resistant (suction nozzle curved)

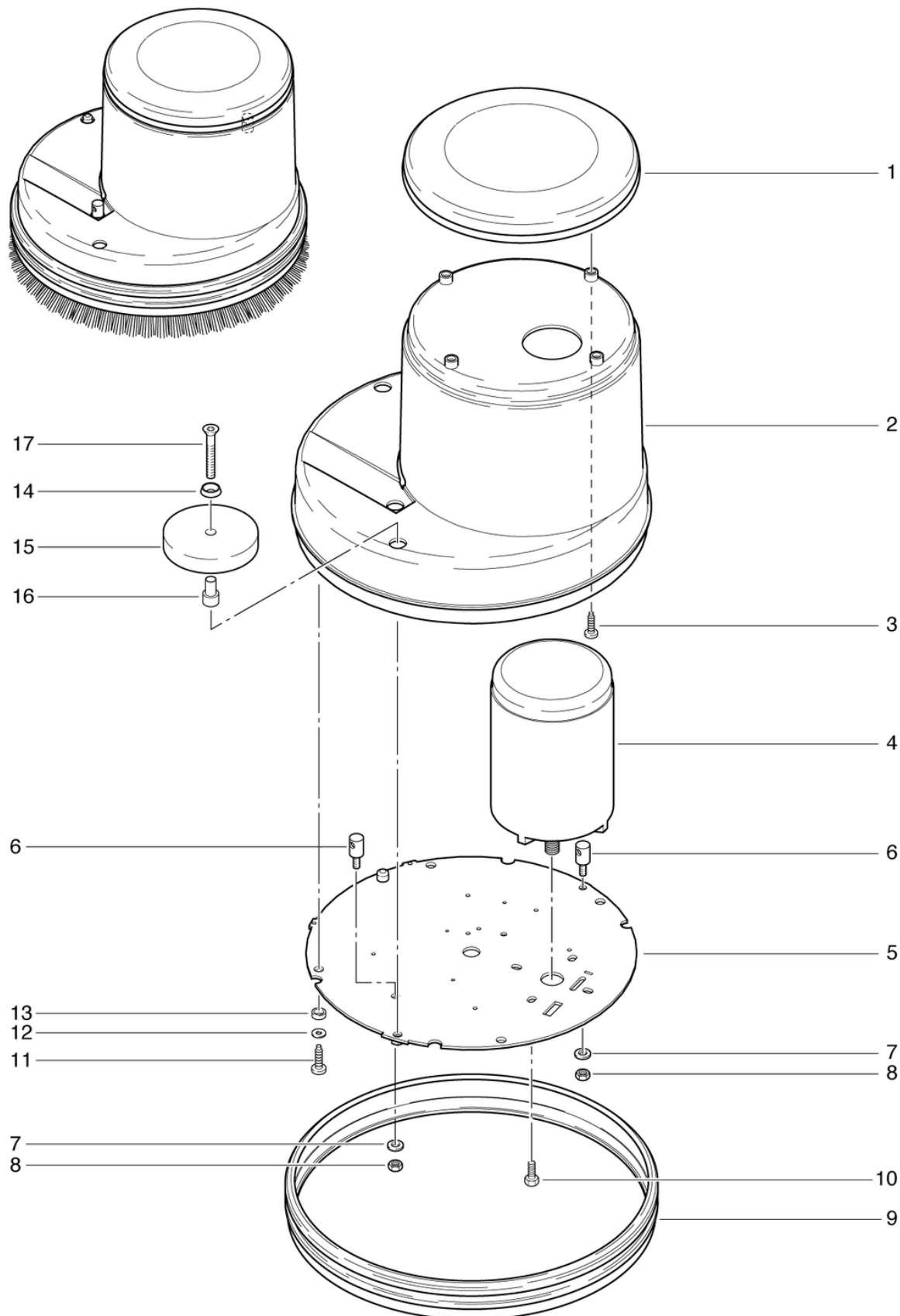
# CLEANFIX RA 431 E 230V

## Motor

PDF created on: 10.11.2023 19:26



RA 431 E





<b>Pos.</b>	<b>Item no.</b>	<b>Spare part</b>
1	748.0670	Anthracite gray lid
2	432.513	Motor Cover
3	P516H	Screw WN 1451 K50 x 16
4	726.121	Electric motor 230V / 50Hz 1000W
5	432.502A	Drive plate RA 431 stainless
6	432.505A	Hold bolt rustproof
7	P496P	Washer DIN 125 A M8 8,4/16/1,6 A2
8	P492H	Nut DIN 985 M8 St galvanized
9	720.054	Powerdisc Buffer Housing
10	P471S	Screw DIN 933 M8 x 14 A2
11	P515LA	Screw WN 1452 K50 x 10 A2
12	P497E	Shim DIN 9021 M5 5,3/15/1,2 A2
13	432.515	Distance Ring
14	P500T	Shim SN 213912 M8 25/4,8 A2
15	510.127	Fender Wheel ø90mm
16	432.508	Distance ring ø15/8,5 x 26,8
17	P479E	Screw DIN 7991 M8 x 50

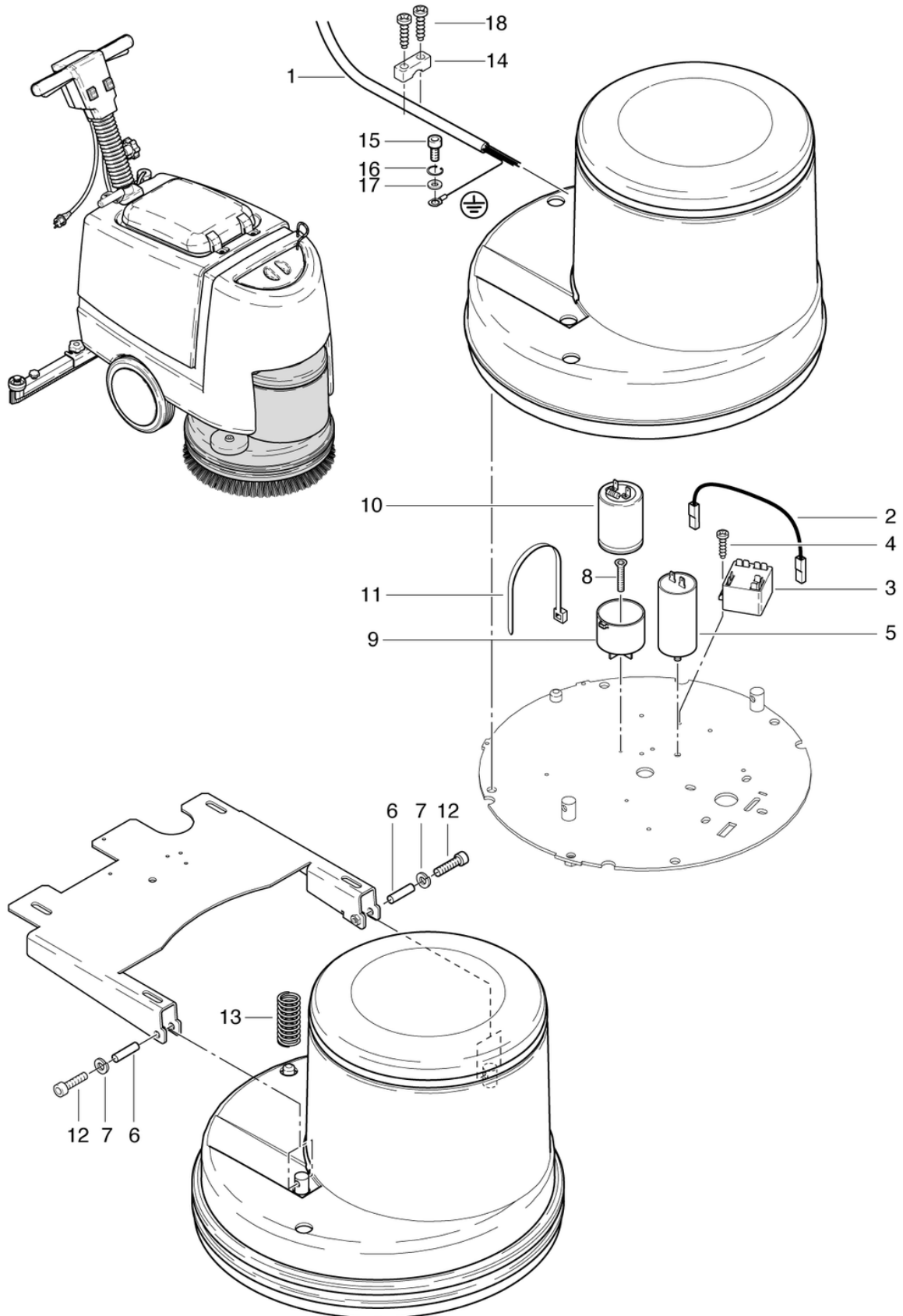
# CLEANFIX RA 431 E 230V

## Capacitor

PDF created on: 10.11.2023 19:26



RA 431 E



<b>Pos.</b>	<b>Item no.</b>	<b>Spare part</b>
1	430.317	Motor wiring harness
2	432.556	braid black 1,5mm <sup>2</sup> L=230mm
3	P350	Motor start relay
4	P481Q	Screw BN 1023 M4 x 8
5	720.122A	Capacitor 25uf
6	432.522	Guide BK
7	P497K	Washer DIN 125 A M6 6,4/12/1,6 A2
8	P480V	Screw DIN 965 M4 x 25 A2
9	741.316	Capacitor Holder
10	742.328	Capacitor 125 uF, 320 V
11	4611085	Cable Clamp
12	P486U	Screw DIN 912 M6 x 35 A2 with shaft
13	432.520	Compression spring 68x18x2
15	P478C	Screw DIN 84 M4 x 10 Ms
16	P498A	Ring DIN 127 B M4 4,1/7,6/0,9 CuSn
17	P497D	Shim DIN 125 A M4 4,3/9/0,8 Ms
18	P476E	Screw DIN 7985 M5 x 16 A2

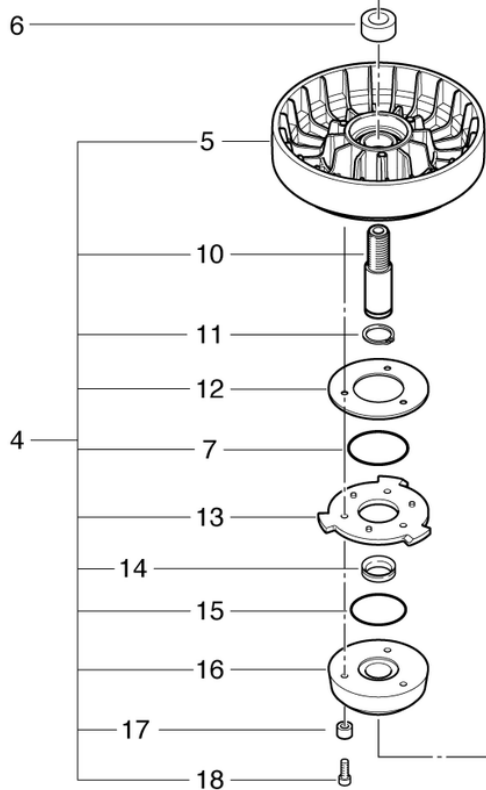
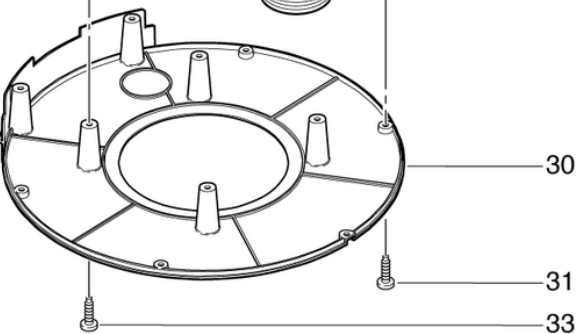
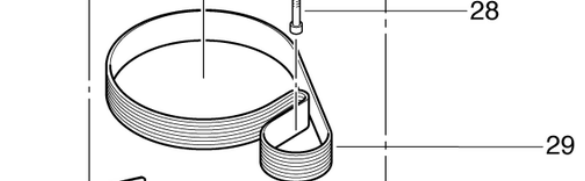
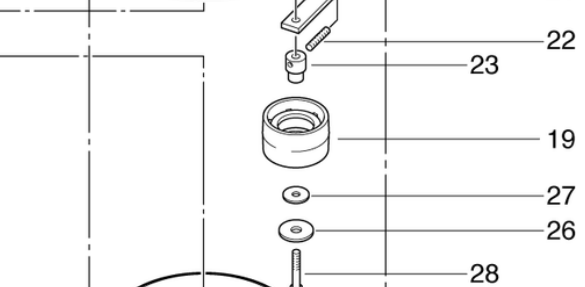
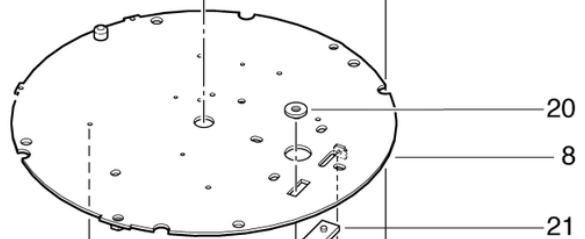
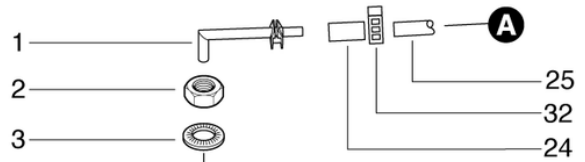
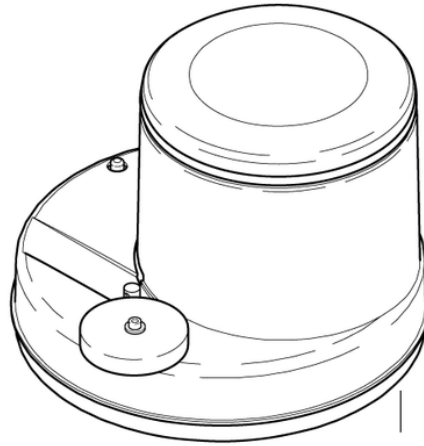
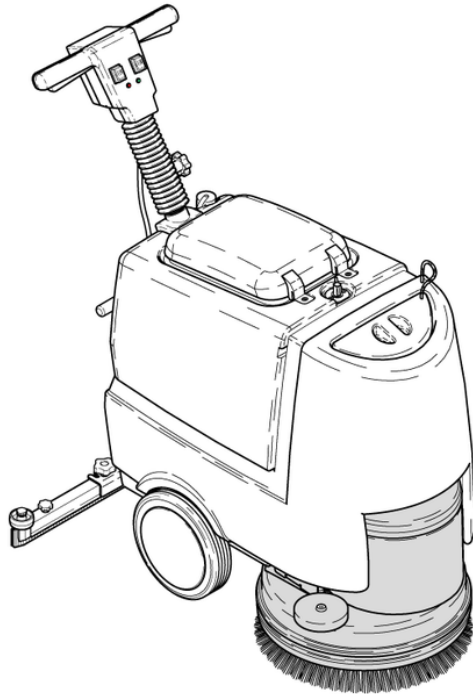
# CLEANFIX RA 431 E 230V

## Drive and waterdistribution

PDF created on: 10.11.2023 19:26



RA 431 E



<b>Pos.</b>	<b>Item no.</b>	<b>Spare part</b>
1	432.166	Lye pipe
2	P492R	Nut DIN 934 M20 x 1.5 A2
3	P498Q	Shim NFE 25511 M20 20,5/40/4,9
4	436.126	Belt with Pre Mounts
5	726.130	Belt pulley CL
6	432.507	Bearing
7	P964A	Ring DIN 3771 55,25/2,62 EPDM
8	432.502A	Drive plate RA 431 stainless
10	742.125	Main Axle
11	P513D	Ring DIN 471 25/1,2
12	430.136	Distance shim 46 x 99 x 1
13	742.141	Pad Hub
14	P343A	V-Ring Forsheda
15	P964B	Ring DIN 3771 42,52/2,62 EPDM
16	430.157	Pad Driver Hub
17	742.129	Distance ring $\varnothing$ 8 / 6 x 4
18	P487S	Screw DIN 912 M6 x 20 A2
19	726.301	Pulley
20	720.125	Groove Nut
21	720.128A	Support 82 x 20mm inoxydable
22	P513J	Pin DIN 913 M6 x 30 A2
23	436.127	Federation Tap
24	530.467	Reduction Hose
25	432.152	Hose $\varnothing$ 12/3 x 0,23m
26	P497T	Shim DIN 9021 M8 8,4/24/2 A2
27	P496P	Washer DIN 125 A M8 8,4/16/1,6 A2
28	P487T	Screw DIN 912 M8 x 45 A2 with schaft
29	720.115	Ribbed belt 15 EPJ 895
30	432.146	Bottom anthracite gray PP
31	P515Z	Screw WN 1452 K50 x 16
32	P550N	Hose clamp 19.8-706R
33	P488E	Screw DIN 912 M5 x 8 A2

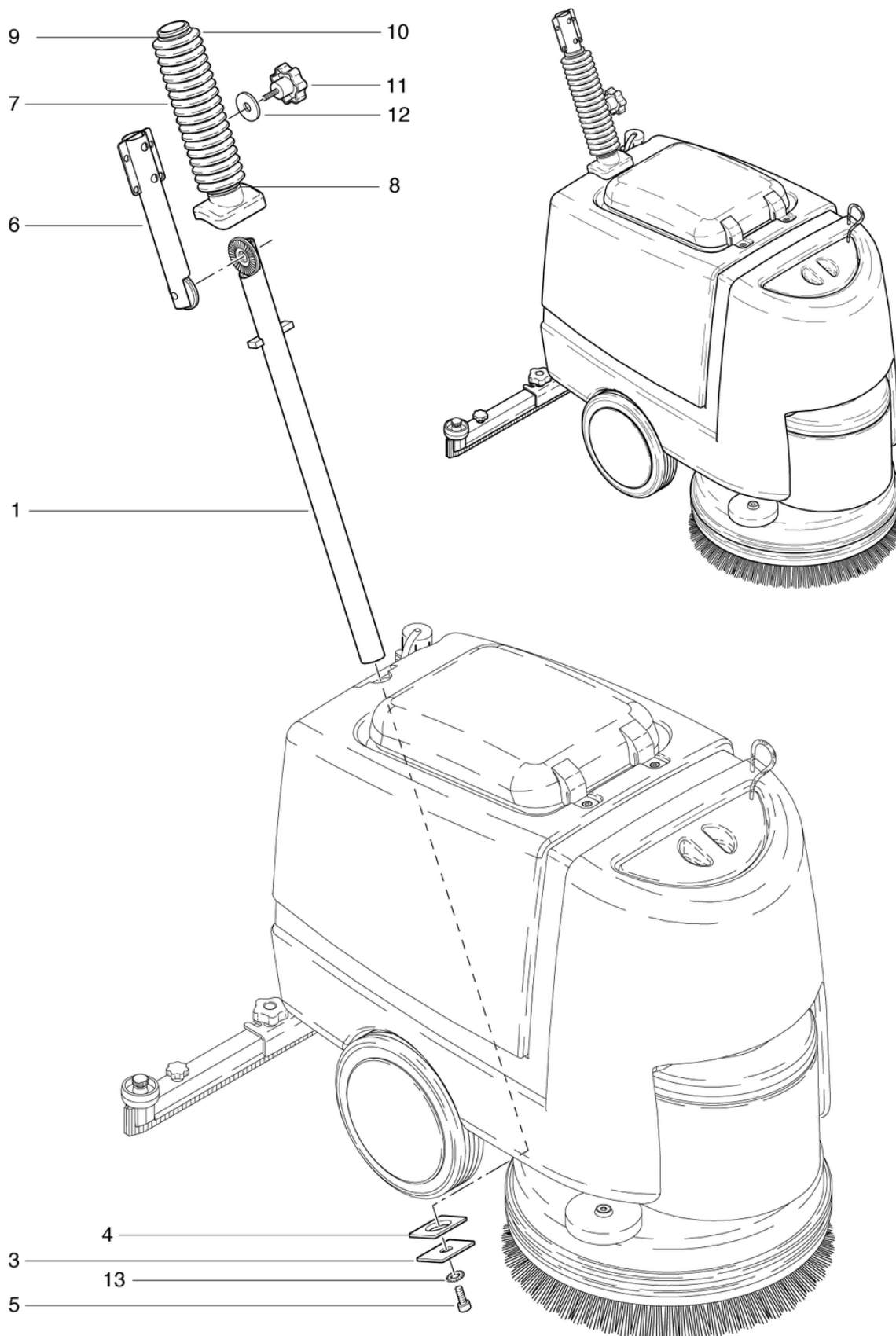
# CLEANFIX RA 431 E 230V

## Angled tube

PDF created on: 10.11.2023 19:26



RA 431 E



<b>Pos.</b>	<b>Item no.</b>	<b>Spare part</b>
1	432.255	Lower Angle Tube
3	432.340B	disk rustproof
4	432.450	Disk stainless
5	P487HA	Screw DIN 912 M10 x 35 A2
6	432.410	Upper Handle Tube Complete
7	432.405	Protection Sleeve
8	P609B	Cable tie weatherproof- 3,5 x 200
9	P609	Cable tie black 4,8 x 178mm
10	P424A	Cable ties natural 3.7 x 368mm
11	P253K	Star grip Ø62 M8 x 30
12	P496P	Washer DIN 125 A M8 8,4/16/1,6 A2
13	P498F	Shim DIN 6797 A M10 10,5/18/10,9 A2

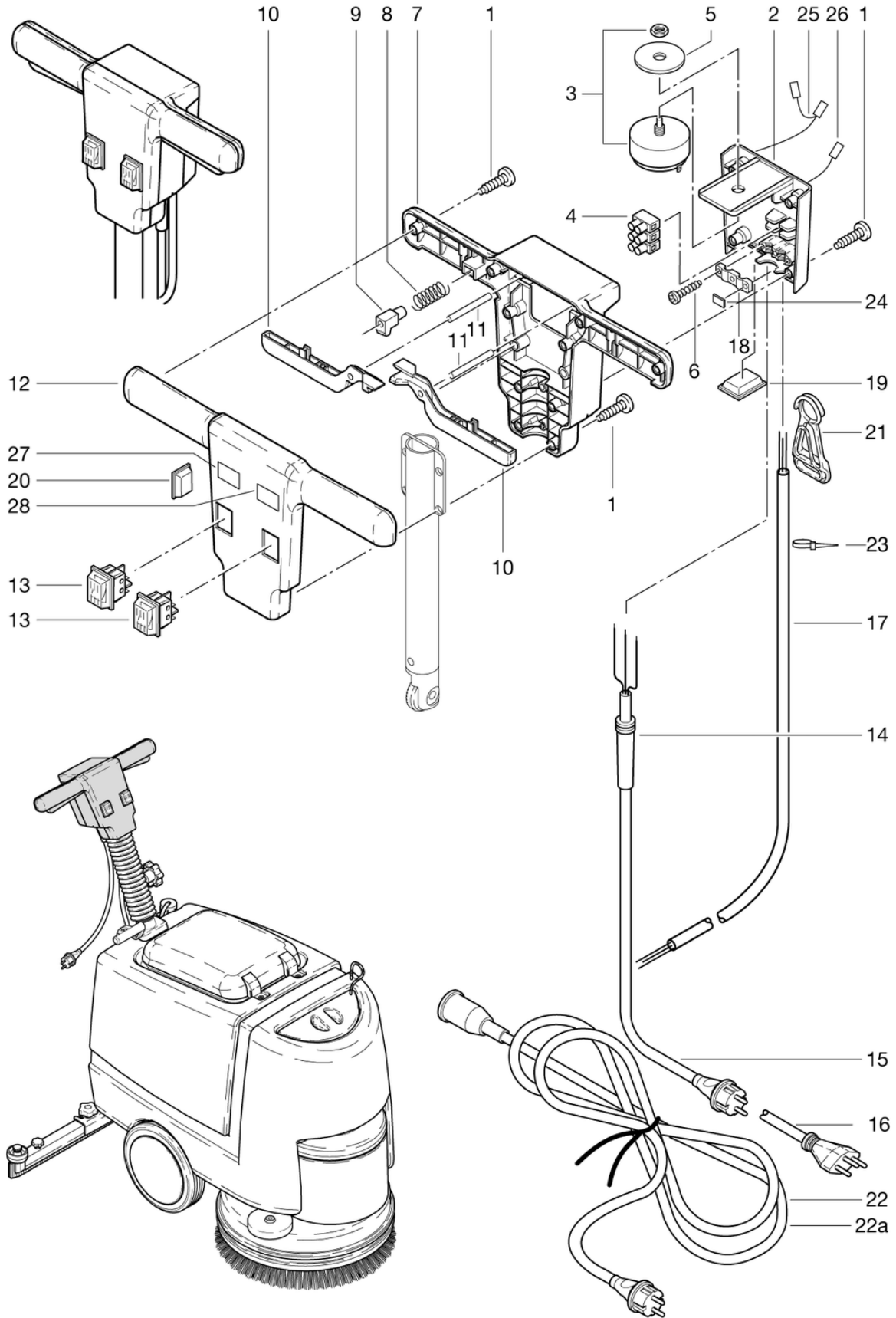
# CLEANFIX RA 431 E 230V

## Handle

PDF created on: 10.11.2023 19:26



RA 431 E





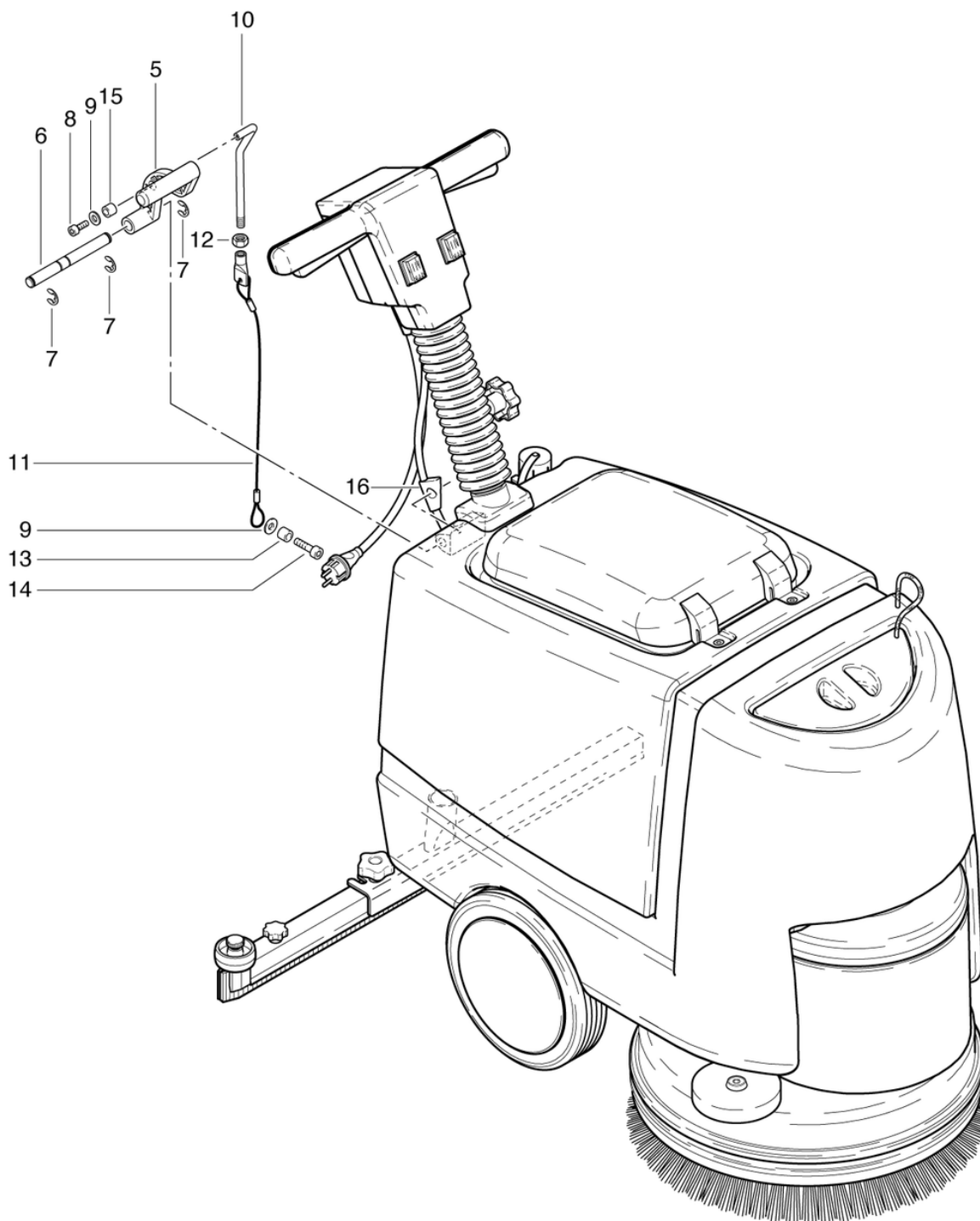
<b>Pos.</b>	<b>Item no.</b>	<b>Spare part</b>
1	P515L	Screw WN 1452 K50 x 25 A2
2	741.310	Rear Handle Cover
3	6650454	Switch
4	P383N	Terminal block with DS, 3-pole, 6mm2
5	P496	Shim DIN 9021 M12 13/37/3
6	P516Q	Screw WN 1452 K50 x 18
7	430.324	Rear Handle Housing
8	742.209	Compression spring VD-090L 0.55 / 6 / 29.2
9	742.208	Button grey anthrazite
10	741.204	Switch
11	P512M	Pin ISO 2338 6 x 50 pc vz
12	430.321	Front Handle Housing
13	P240	Rocker switch orange 230V
14	660011014	R53-1100 Cable Sleeve
15	P400B	Connector cable 680mm VDE, black
16	P400D	Connector cable 680mm SEV, black
17	432.319	Wiring harness steering column A ø8,5mm
18	742.321	Cable clamp
19	741.216	Switch Handle
20	P1710	Cover
21	P375	Cable assembly discharge
22a	500.864	Extension cable 20m, Europe IP55
22	500.863	Extension cable VDE, 20m
23	P421	Cable tie black 2.5 x 98mm
24	436.154	clamping piece
25	430.312	braids garnitur
26	430.311	braids garnitur
27	3003	Labels self-adhesive 3M foil "Suction"
28	383	Sticker 3M foil drops

# CLEANFIX RA 431 E 230V

## Suction nozzle removal

PDF created on: 10.11.2023 19:26

RA 431 E



<b>Pos.</b>	<b>Item no.</b>	<b>Spare part</b>
5	432.365	Lever to Suction Nozzle
6	432.361	Axle
7	P499Q	Shim DIN 6799 8/16,3/1
8	P488E	Screw DIN 912 M5 x 8 A2
9	P497E	Shim DIN 9021 M5 5,3/15/1,2 A2
10	432.370	Squeegee Lift
11	432.817	Pulling rope RA431E L = 0.319m
12	P491M	Nut DIN 439 M8 St galvanized
13	430.618	Distance ring $\varnothing 7/5$ x 5,5
14	P472F	Screw DIN 933 M5 x 12 A2
15	P509J	Distance piece BN 5281 8,2/12/5 PA6.6
16	432.362	Cable entry

