

# HS770

## Contents

PDF created on: 10.11.2023 19:47

HS770



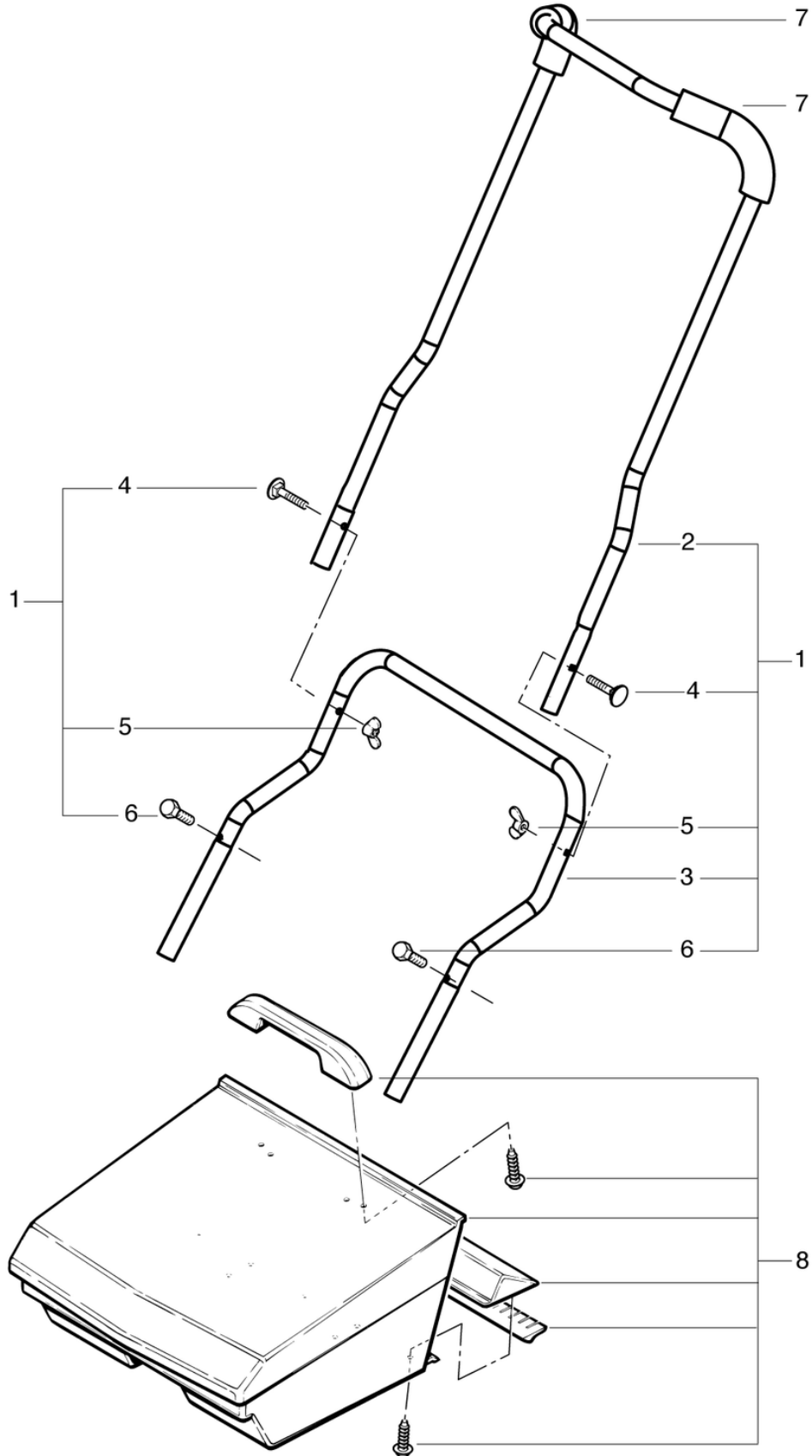
# HS770

## Hopper

PDF created on: 10.11.2023 19:47



HS770



<b>Pos.</b>	<b>Item no.</b>	<b>Spare part</b>
1	077.805	Ergonomic shock bracket
2	077.810	Upper Handle
3	077.815	Lower Handle
4	P483K	Flat round screw M6 x 40
5	P494H	Wing nut M6 St vz
6	P470W	Screw DIN 933 M6 x 35
7	077.820	Hand Grip
10	077.500	Hopper Complete

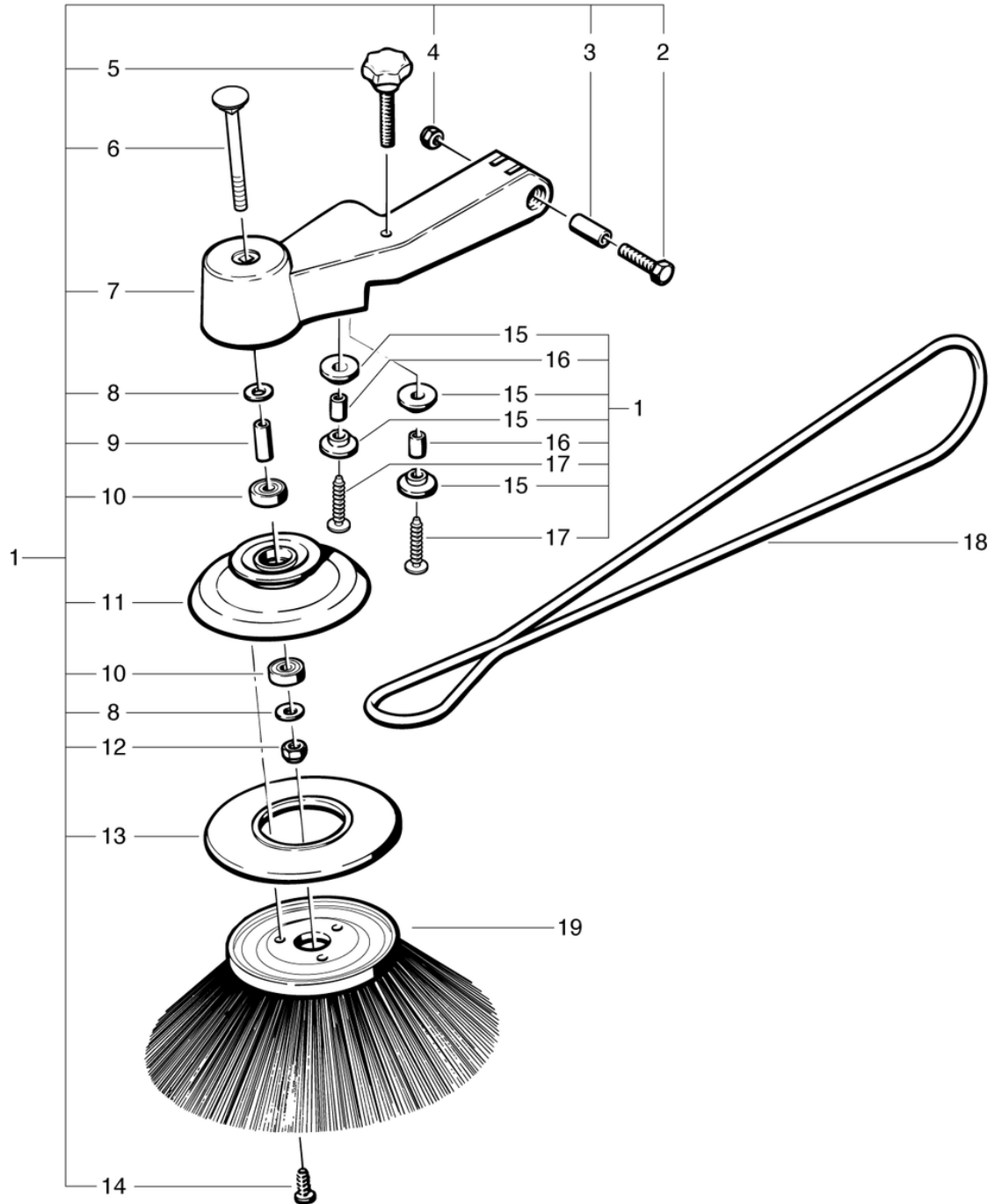
# HS770

## Sidebroom

PDF created on: 10.11.2023 19:47



HS770



<b>Pos.</b>	<b>Item no.</b>	<b>Spare part</b>
1	077.700	Sidebroom Arm Complete
2	P471N	Ssret M8 x 40
3	077.708	Distance ring 12 x 1,5 x 32,5mm
4	P492H	Nut DIN 985 M8 St galvanized
5	077.710	Knob for adjustment
6	P481K	Truss-head screw M10x110 mm
7	077.705	Sidebroom Arm
8	P496T	Shim DIN 125 A M10 10,5/20/2
9	077.730	Distance ring 12 x 0,8 x 31
10	P316C	Deep groove ball bearing 6001 2RS ø28 / 12 x 8
11	077.735	Sidebroom Cover
12	P492Q	Nut DIN 985 M10
13	077.736	Sidebroom Bumper
14	P516H	Screw WN 1451 K50 x 16
15	077.722	Belt Guide
16	077.725	Distance Ring 10 x 1.5 x 16
17	P516I	Screw WN KA60 x 30
18	077.750	Side Brush Drive Belt HS770
19	077.740	Sidebroom

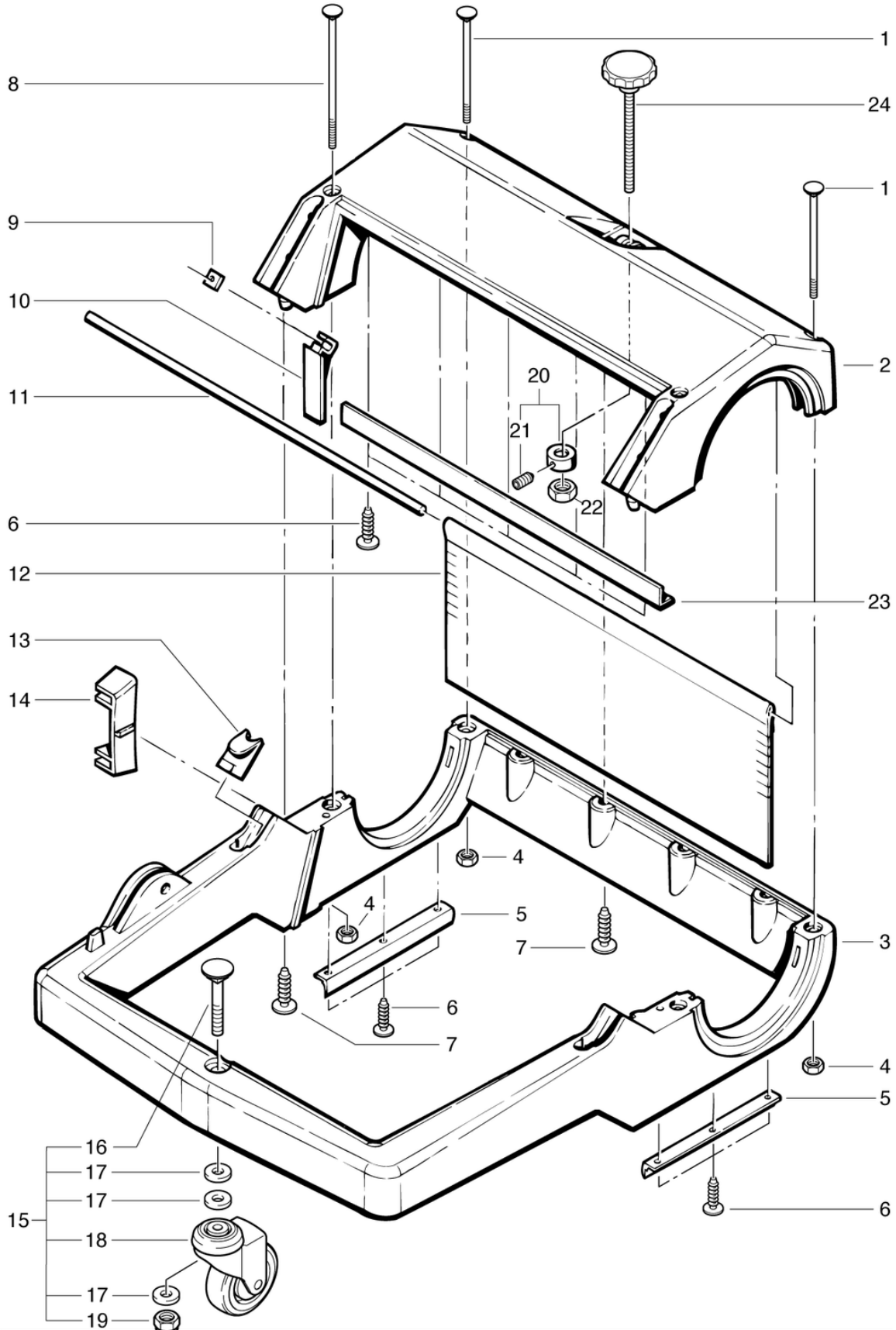
# HS770

## Main frame

PDF created on: 10.11.2023 19:47



HS770



<b>Pos.</b>	<b>Item no.</b>	<b>Spare part</b>
1	P481H	Flat round screw M6 x 110
2	077.112	Rear housing
3	077.111	Main Frame
4	P490D	Nut DIN 934 M6
5	077.137	Short Seal
6	P516H	Screw WN 1451 K50 x 16
7	P516M	Screw WN 1451 K60 x 20 St galvanized
8	P481I	Screw M 6x140 mm
9	P495H	Nut DIN 1587 M5
10	077.114	Nut support
11	077.135	Rear Floor Seal
12	077.130	Dust rag large 495 x 220
13	077.140	Support For Pushbar
14	077.142	Belt Guide
15	077.144	Castor compl.
16	P481J	Screw M 10x75 mm
17	P496T	Shim DIN 125 A M10 10,5/20/2
18	077.145	Support wheel ø 75mm
19	P492Q	Nut DIN 985 M10
20	077.125	Screw Collar ø 20 / 10 x 10
21	P482X	Pin DIN 916 M5 x 8 A2
22	P491N	Nut DIN 934 M10 St galvanized
23	077.119	Hopper Seal
24	077.120	Adjusting Knob

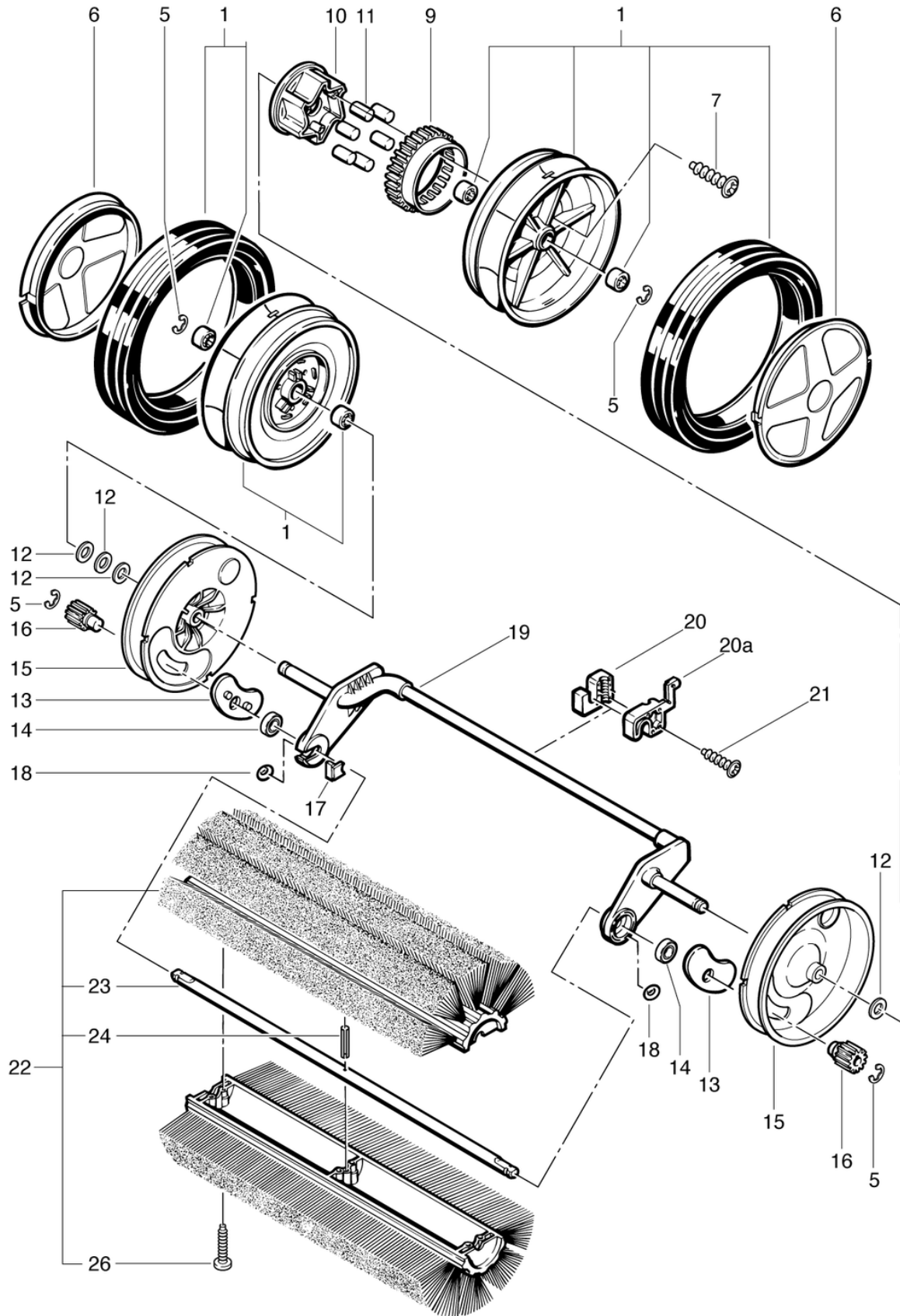
# HS770

## Wheel

PDF created on: 10.11.2023 19:47



### HS770





<b>Pos.</b>	<b>Item no.</b>	<b>Spare part</b>
1	077.260	Wheel cpl.
5	P498M	Shim DIN 6799 16,3/8/1 black
6	077.255	Hub Cap
7	P516L	PT screw 60x20 mm
9	077.246	Gear Rim (48)
10	077.231	Pivot Hub
11	077.234	Driving Roller
12	P497S	Shim DIN 9021 M12 13/20/2 A2
13	077.258	Cover Piece
14	P316I	Plain bearing Ø30xØ27x5
15	077.252	Hub washer HS770
16	077.253	Annular Gear (12)
17	077.259	Cover
18	P088C	O-Ring 3/2
19	077.268	Axle
20a	077.263	Adjustment block with pointer
20	077.261	Adjustment block
21	P516K	Screw BN 82428 KA35 x 8
22	077.269	Cylindrical Brush Complete
23	077.276	Brush Axle
24	P512K	Pin ISO 8752 6 x 30 pc vz
26	P515E	Screw WN 1452 K50 x 30