

MAC INTERNATIONAL
SPARE PARTS LIST

MAC **LASER**



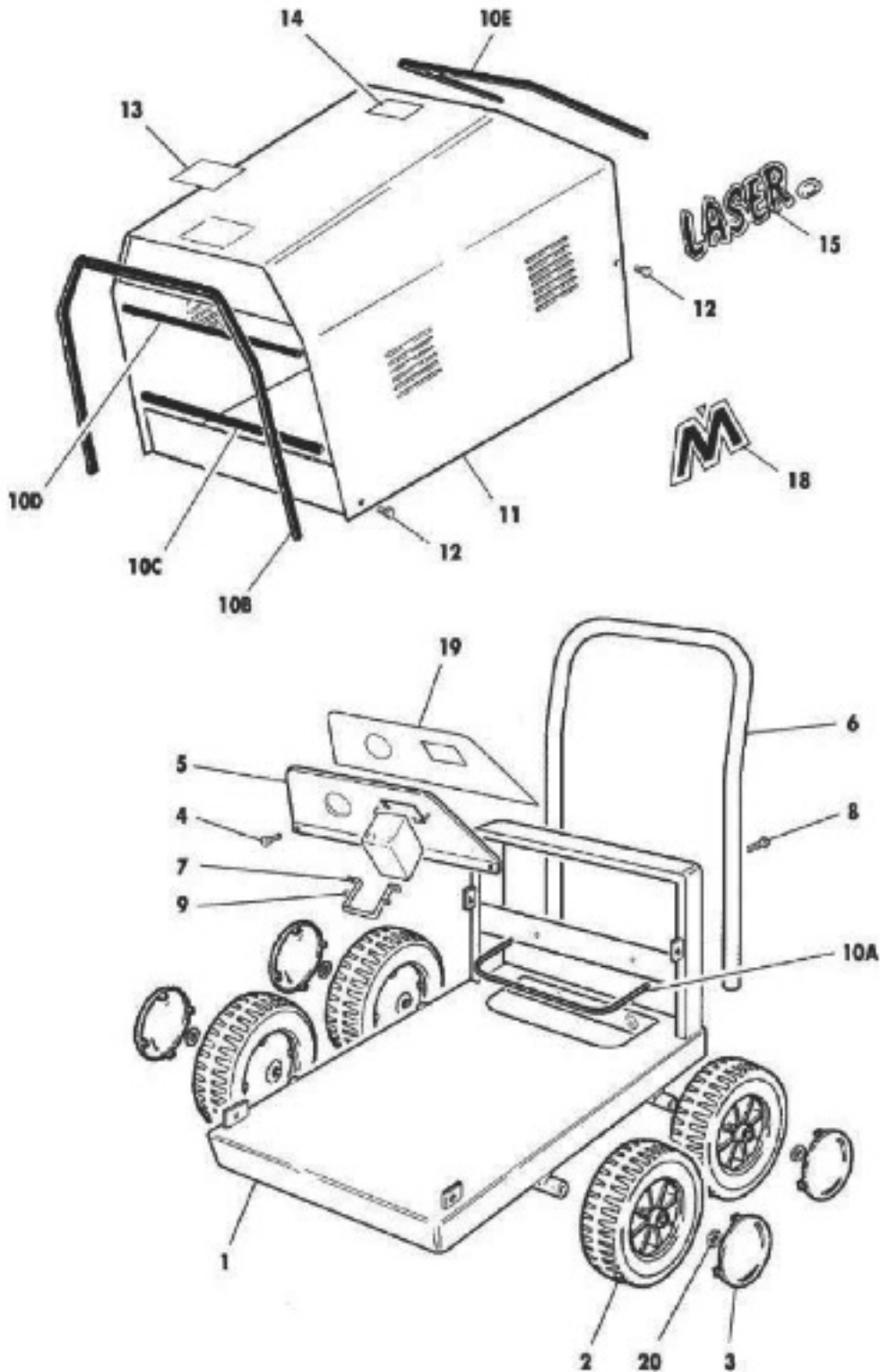
MAC LASER

TAB 1

Position	Code	Qty	Description
1	10.000.025	1	Stainless Steel Chassis
2	10.000.014	4	Complete Wheel
3	10.000.114	4	Wheel Cap
4	20.000.040	2	Screw
5	10.000.030	1	Control Panel
6	10.000.019	1	Handle
7	10.000.031	1	Bracket
8	20.000.032	2	Handle Screw
9	20.000.030	2	Nut
10	10.000.022	-	Rubber Seal
11	10.000.032	1	Stainless Steel Cover
12	20.000.042	4	Bonnet Screws
13	120.000.007	1	Decal
	120.000.017		Decal
14	120.000.008	1	Decal
15	120.000.009	1	Decal
16	120.000.000	1	Decal
17	120.000.002	1	Decal
18	120.000.012	2	Decal
19	120.000.013	1	Decal
20	10.000.035	4	Wheel Clip

MAC LASER

TAB 1



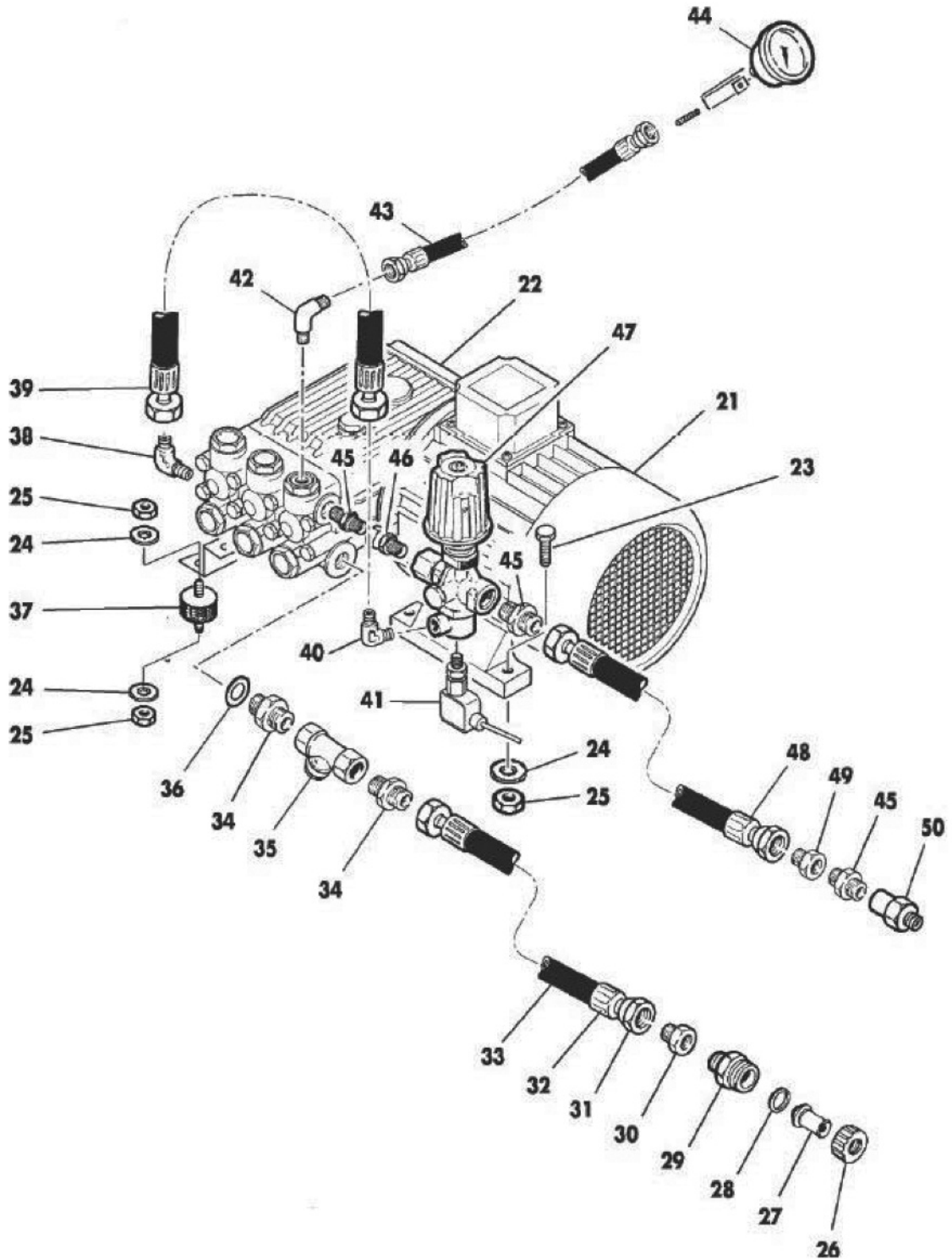
MAC LASER

TAB 2

Position	Code	Qty	Description
21	MOTOR1	1	Motor – 3hp, 2.2kw (12/100)
21	MOTOR3	1	Motor – 7.5hp, 5.5kw (15/200)
21	MOTOR4	1	Motor – 10hp, 7.5kw (15/200)
21	MOTOR9	1	Motor – 3hp, 2.2kw (9/100 110v)
22	W140M	1	W140 Pump (12/100)
22	WS201	1	WS201 Pump (15/200)
22	WS202	1	WS202 Pump (21/200)
22	W130M	1	W130M Pump (9/100 110v)
23	20.000.026	4	Screw
24	20.000.027	4	Washer
25	20.000.028	4	Nut
26	20.000.050	1	Ring Nut
27	20.000.000	1	Hose Fitting
28	40.000.013	1	Gasket ²⁹
29	20.000.011	1	Nipple
30	20.000.031	1	Coupling
31	NDR	2	Coupling
32	NDR	2	Aluminium Brush
33	90.000.021	1	Complete Hose
34	20.000.004	2	Nipple
35	40.000.000	1	Y Water Filter
36	20.000.003	1	Copper Washer
37	10.000.033	1	Mounting Bobbin (Only required for 21/200 Version)
38	20.000.018	1	Elbow Coupling
39	90.000.006	1	By-pass Hose
40	20.000.011	1	Elbow Coupling
41	NDR	1	Pressure Switch
42	20.000.034	1	Elbow Coupling
43	90.000.035-HD	1	Heavy Duty Pressure Gauge Hose
-	90.000.035-AD	1	Adaptor Required for H/D Pressure Gauge Hose
44	40.000.009	1	Pressure Gauge – 50mm Diameter
45	20.000.010	2	Nipple
46	20.000.012	1	Swing Nipple
47	40.000.003	1	VB9 Unloader Valve
48	90.000.027	1	Outlet Hose
49	20.000.016	1	Coupling
50	90.000.014	1	Complete Rapid Coupling
	90.000.114		Complete Rapid Coupling

MAC LASER

TAB 2



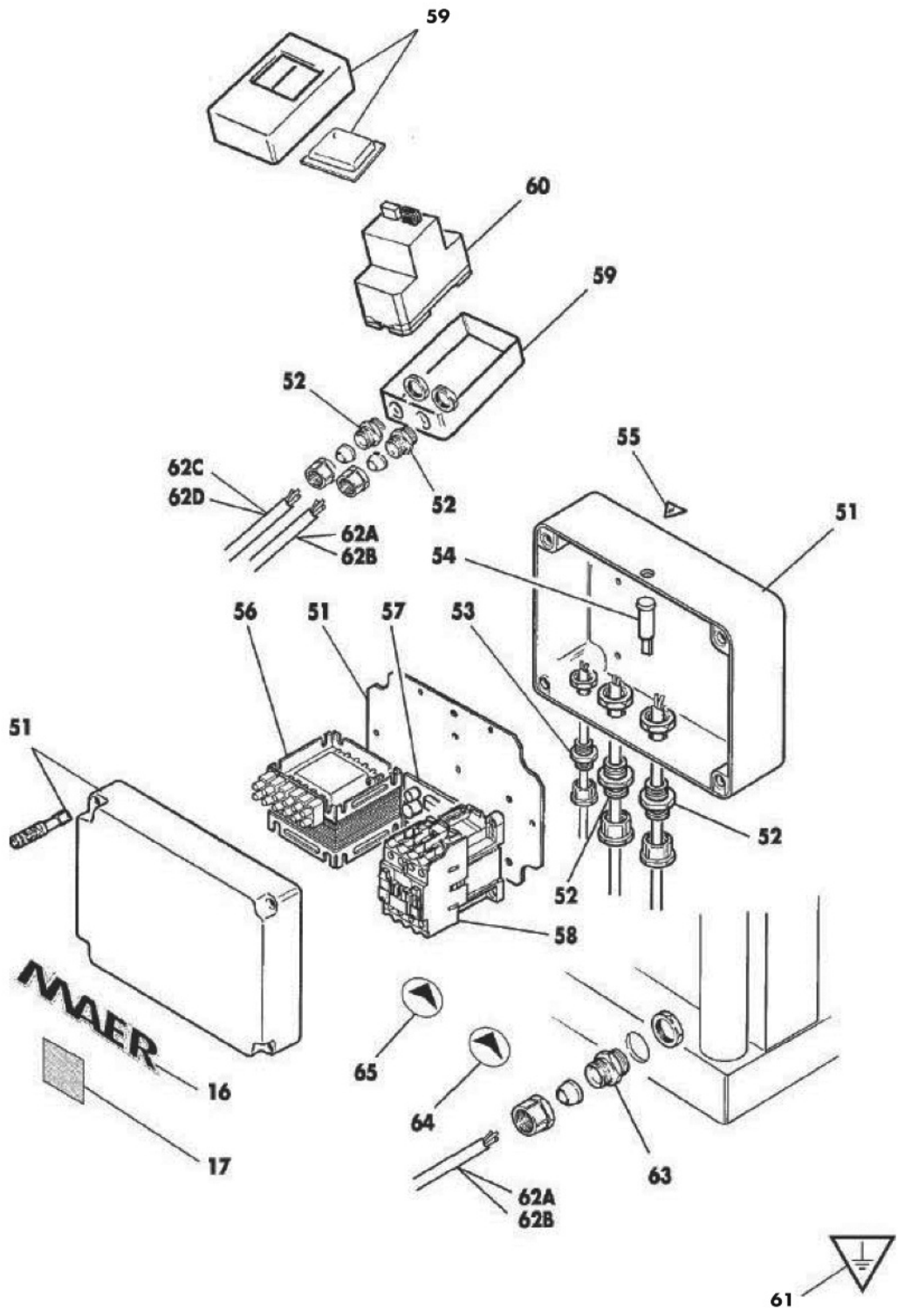
MAC LASER

TAB 3

Position	Code	Qty	Description
51	70.000.026	1	Electric Box
52	70.000.002	4	PG 16 Cable Gland
53	70.000.003	1	PG 7 Cable Gland
54	70.000.016	1	Green Warning Light
55	120.000.011	1	Decal
56	70.000.010	1	24v Step Down Transformer
57	70.000.111	1	PCB / Electric Card
58	70.000.009	1	Contactor (for 240v version)
58	70.000.209	1	Contactor (for 415v version)
58	70.000.109	1	Contactor (for 110v version)
59	70.000.027	1	Overload Switch Case
60	70.000.008	1	Overload Switch 10-16A
60	70.000.108	1	Overload Switch 16-20A
60	70.000.208	1	Overload Switch 20-25A
61	120.000.005	1	Decal
62A	70.000.020	1	Feeding Cable (240v Single Phase)
62B	70.000.021	1	Feeding Cable (415v Three Phase)
62C	NDR	1	Electric Cable (240v Single Phase)
62D	NDR	1	Electric Cable (415v Three Phase)
63	70.000.001	1	PG 16 Special Cable Gland
64	120.000.014	1	Decal
65	120.000.013	1	Decal

MAC LASER

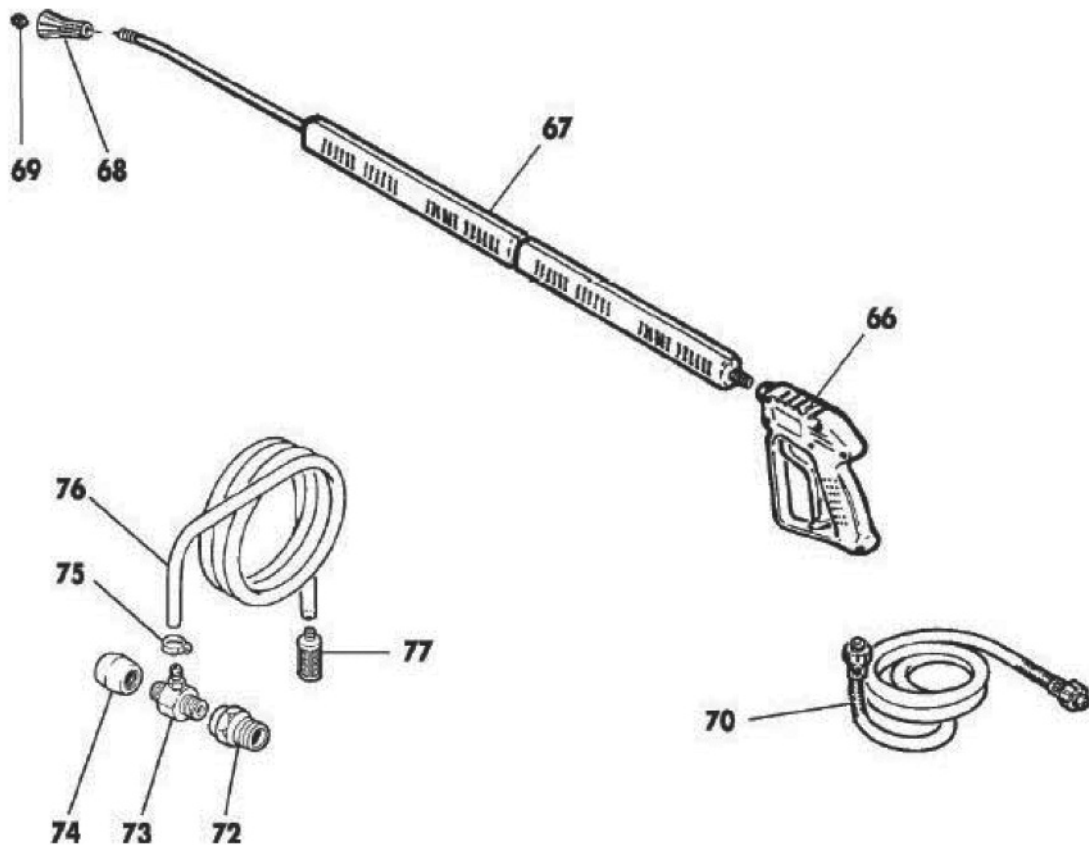
TAB 3



MAC LASER

TAB 4

Position	Code	Qty	Description
66	GUN2	1	Standard Washgun
67	LANCE3	1	1200mm Standard Lance
68	80.000.003	1	Nozzle Protector
69	JET3	1	High Pressure Jet
70	HOSE1	1	10mt High Pressure Hose
71	CHEMICALINJECTOR1	1	Chemical Injector 1.8 (for 12/100 version)
71	CHEMICALINJECTOR2	1	Chemical Injector 2.1 (for 15/200 & 21/200 version)
76	90.000.034	1	Detergent Suction Hose
77	ST31R	1	Chemical Filter



71: COMPLETE KIT

MAC LASER

TAB 5

Position	Code	Qty	Description
13	120.000.007	1	Decal
14	120.000.008	1	Decal
15	120.000.009	1	Decal
16	120.000.000	1	Decal
17	120.000.002	1	Decal
18	120.000.012	2	Decal
19	120.000.013	1	Decal
55	120.000.011	1	Decal
61	120.000.005	1	Decal
64	120.000.014	1	Decal
65	120.000.013	1	Decal

