

CLEANFIX Floor Mac

Contents

PDF created on: 10.11.2023 19:53



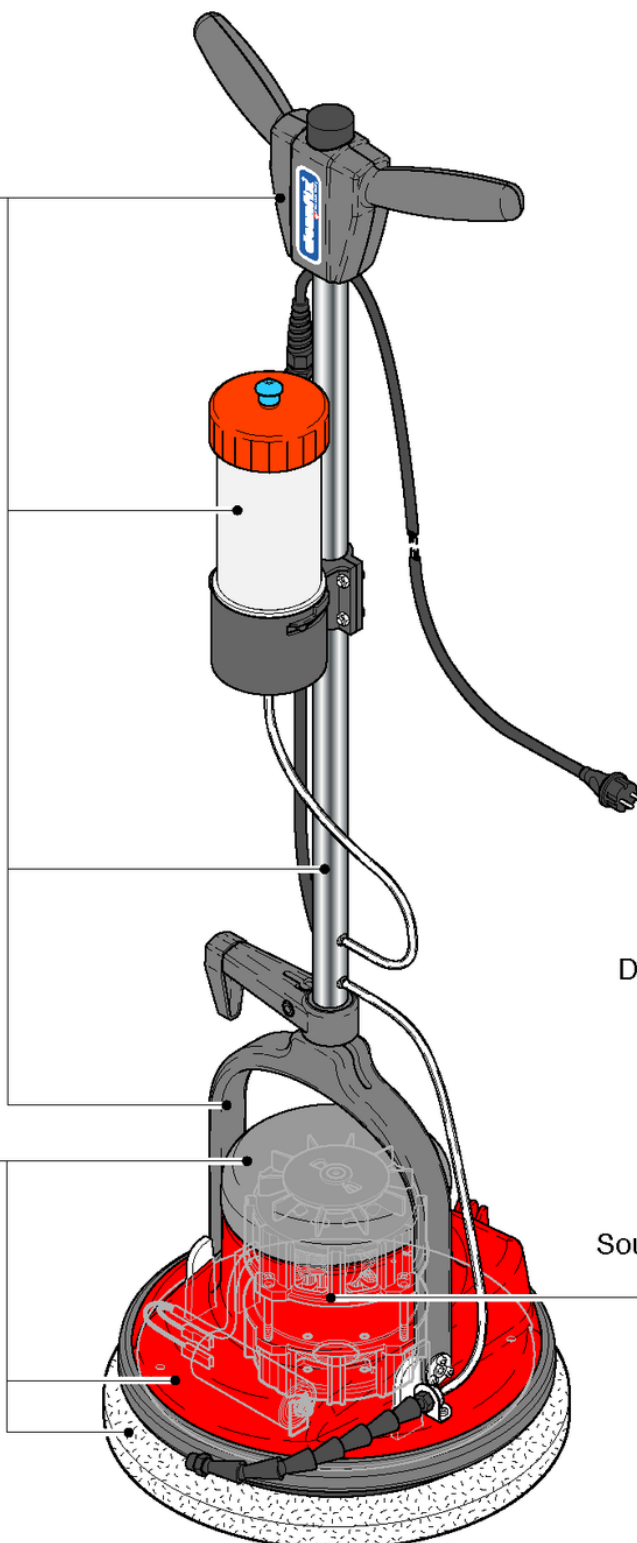
FloorMac PE 300

Stiel kompl.
Manche compl.
Handle compl.
B 3 / ST 3

Motorhaube
Capot moteur
Motor housing
B 1 / ST 1

Stromlaufplan
Diagramme électrique
Wiring diagram
B 4 / ST 4

Maschinenunterteil
Sous partie de machine
Machine base
B 2 / ST 2



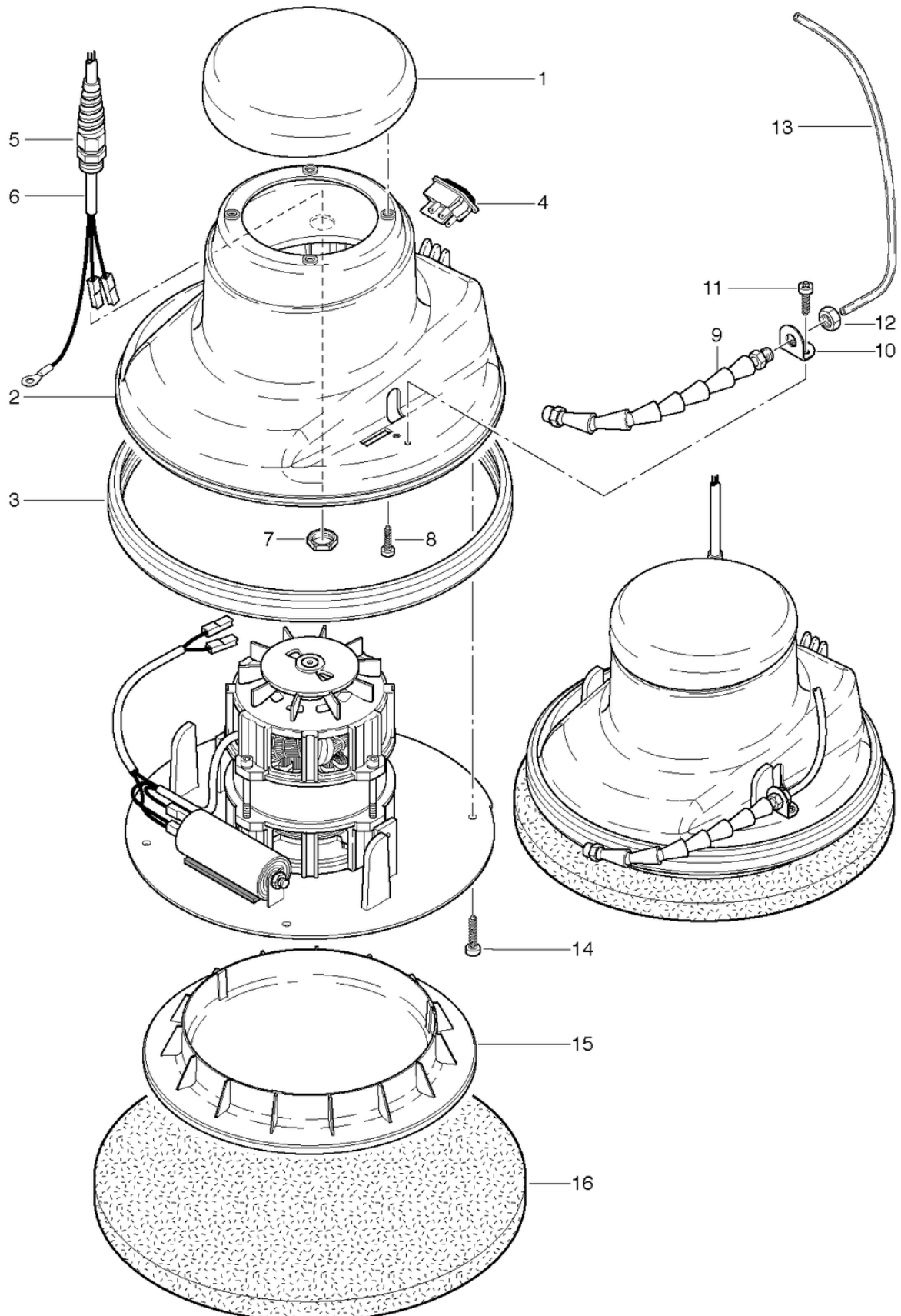
CLEANFIX Floor Mac

Motor housing

PDF created on: 10.11.2023 19:53



FloorMac PE 300



Pos.	Item no.	Spare part
1	718.067	Cap
2	718.065	Floormac Housing
3	718.054	Buffer for Housing
4	718.068	Rocker switch P 20 A 250 VAC
5	P279K	Cable gland PG9 with kink protection spiral
6	P282	Main cable VDE 3 x 1.00mm ² 7.50m, black
6	P282A	Mains cable SEV, 3 x 1.00mm ² 7.50m, black
7	P279H	Lock nut PG9 brass nickel-plated
8	P516P	Screw WN 1452 K40 x 12
9	718.075	Joint cpl.
10	718.069	Holding Plate
11	P480S	Screw WN 1452 K50 x 14
12	P491O	Nut DIN 934 M10 x 1 A2
13	718.161	Connection hose ø6 / 4 x 0.64m
14	P516Q	Screw WN 1452 K50 x 18
15	718.070	Driving disc
16	718.906	Micro fibre pad, Ø 33cm

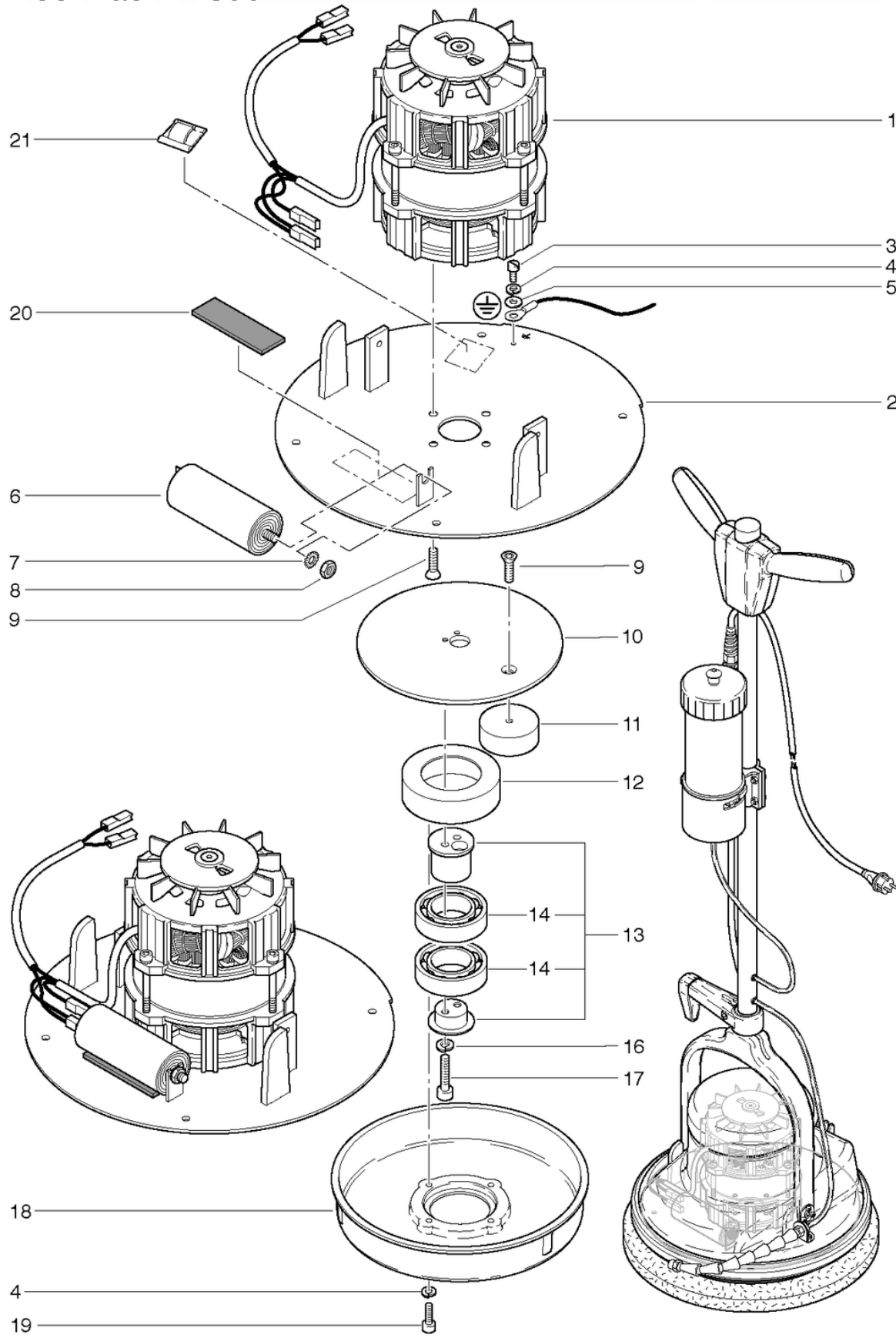
CLEANFIX Floor Mac

Machine base

PDF created on: 10.11.2023 19:53



FloorMac PE 300



Pos.	Item no.	Spare part
1	718.121	Floormac Motor
2	718.130	Floormac Base Plate
3	P478B	Screw DIN 84 M4 x 8 Ms
4	P498C	Ring DIN 127 B M4 4,1/7,6/0,9
5	P497D	Shim DIN 125 A M4 4,3/9/0,8 Ms
6	718.124	Floormac Capacitor
7	P498G	Shim DIN 6798 M8 8,4/15/0,8
8	P490E	Nut DIN 934 M8
9	P480H	Screw DIN 965 M6 x 20 A2
10	718.141	Driving weight
11	718.142	Counter Weight
12	718.146	Bearing Flange
13	718.145	Eccentric assembly
14	6426437	Deep groove ball bearing 6006 ZZ AV2 ø55 / 30 x 13
16	P500D	Ring DIN 127 B M5 5,3/9,2/1,2
17	P488K	Screw DIN 912 M5 x 25 A2
18	718.120	Floormac Base Driving Plate
19	P486A	Screw DIN 912 M4 x 12
20	400.139	Slide security
21	P360	Nature cable holder

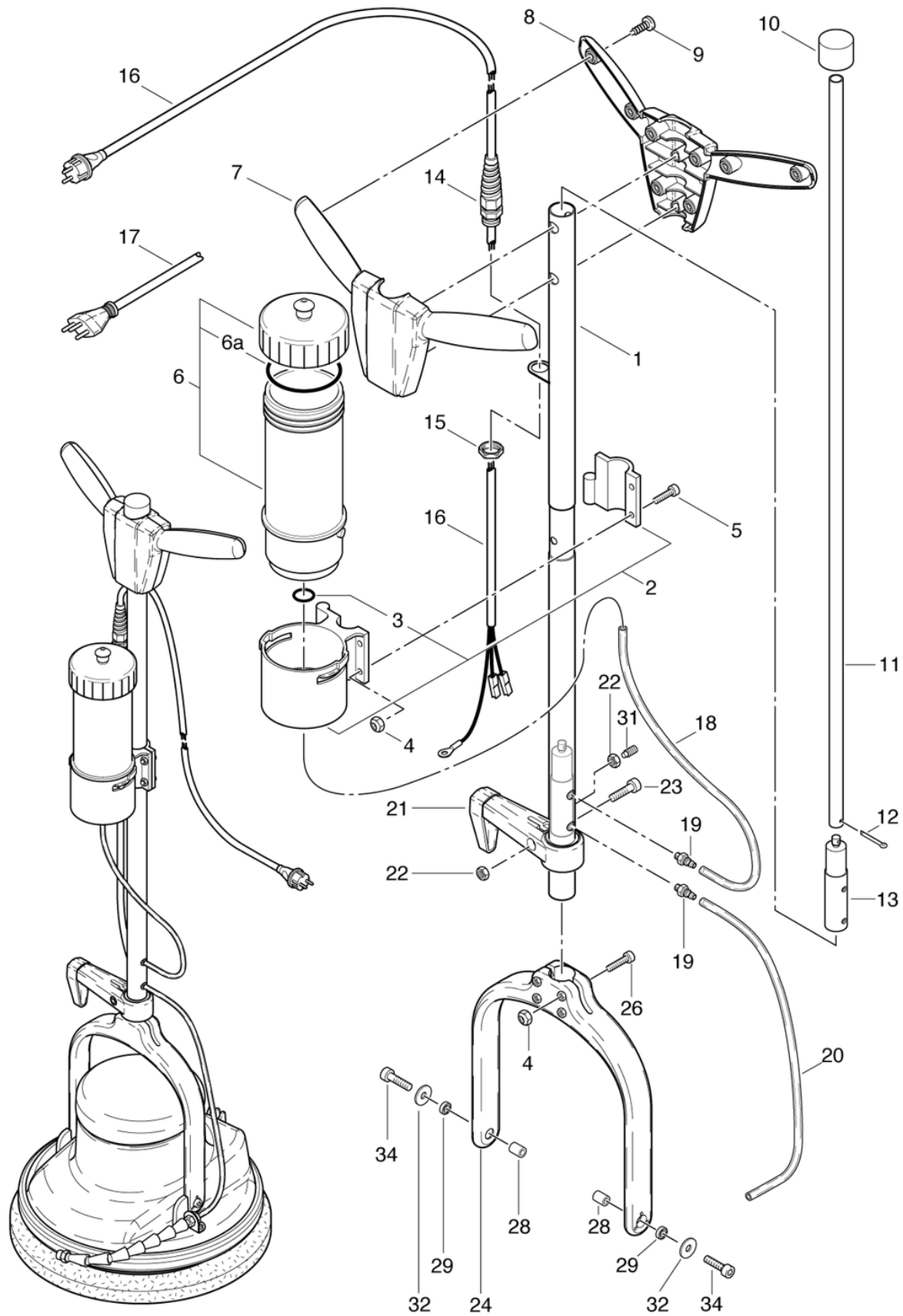
CLEANFIX Floor Mac

Handle compl.

PDF created on: 10.11.2023 19:53



FloorMac PE 300



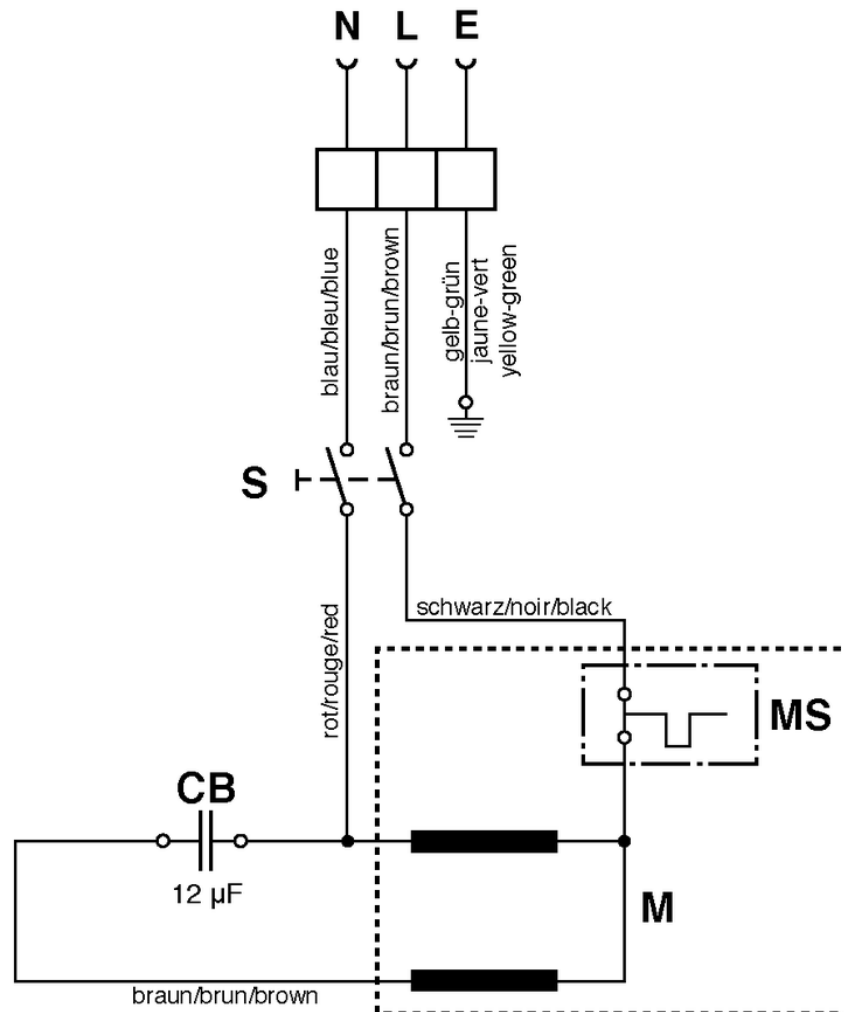
Pos.	Item no.	Spare part
1	718.203	Handle Tube
2	718.910	Bottle Support
3	718.909	O Ring
4	P492G	Nut DIN 985 M5 St galvanized
5	P486I	Screw DIN 7984 M5 x 16 galvanized
6a	718.907	O Ring
6	718.912A	Solution Bottle
7	718.201	Floormac Handle (Front)
8	718.202	Floormac Handle (Back)
9	P480S	Screw WN 1452 K50 x 14
10	718.911	Button
11	718.915	Bar to Metering Unit
12	P489N	Splint 2.5 x 16mm St vzb
13	718.925	Pressure Valve
14	P279K	Cable gland PG9 with kink protection spiral
15	P279H	Lock nut PG9 brass nickel-plated
16	P282	Main cable VDE 3 x 1.00mm ² 7.50m, black
17	P282A	Mains cable SEV, 3 x 1.00mm ² 7.50m, black
18	718.160	Connection hose ø6 / 4 x 0.32m
19	320.170	Screw in Socket
20	718.161	Connection hose ø6 / 4 x 0.64m
21	3711029	Cable holder CL cpl.
22	P490D	Nut DIN 934 M6
23	P486T	Screw DIN 912 M6 x 25
24	718.204	Turning Bar
26	P488K	Screw DIN 912 M5 x 25 A2
28	718.207	Distance ring ø10/6,1 x 18,5
29	500.123	Sleeve
31	P483CA	Pin DIN 915 M6 x 12 A2
32	P497H	Washer DIN 9021 M6 6,4/18/1,6 A2
34	P486W	Screw DIN 912 M6 x 30

CLEANFIX Floor Mac

Wiring diagram

PDF created on: 10.11.2023 19:53

FloorMac PE 300



- S = Motorschalter / Interrupteur pour moteur / Tumbler switch for motor
- CB = Betriebskondensator 12 µF / Capaciteur 12 µF / Capacitor 12 µF
- M = Motor / Moteur / Motor
- MS = Motorschutzschalter