

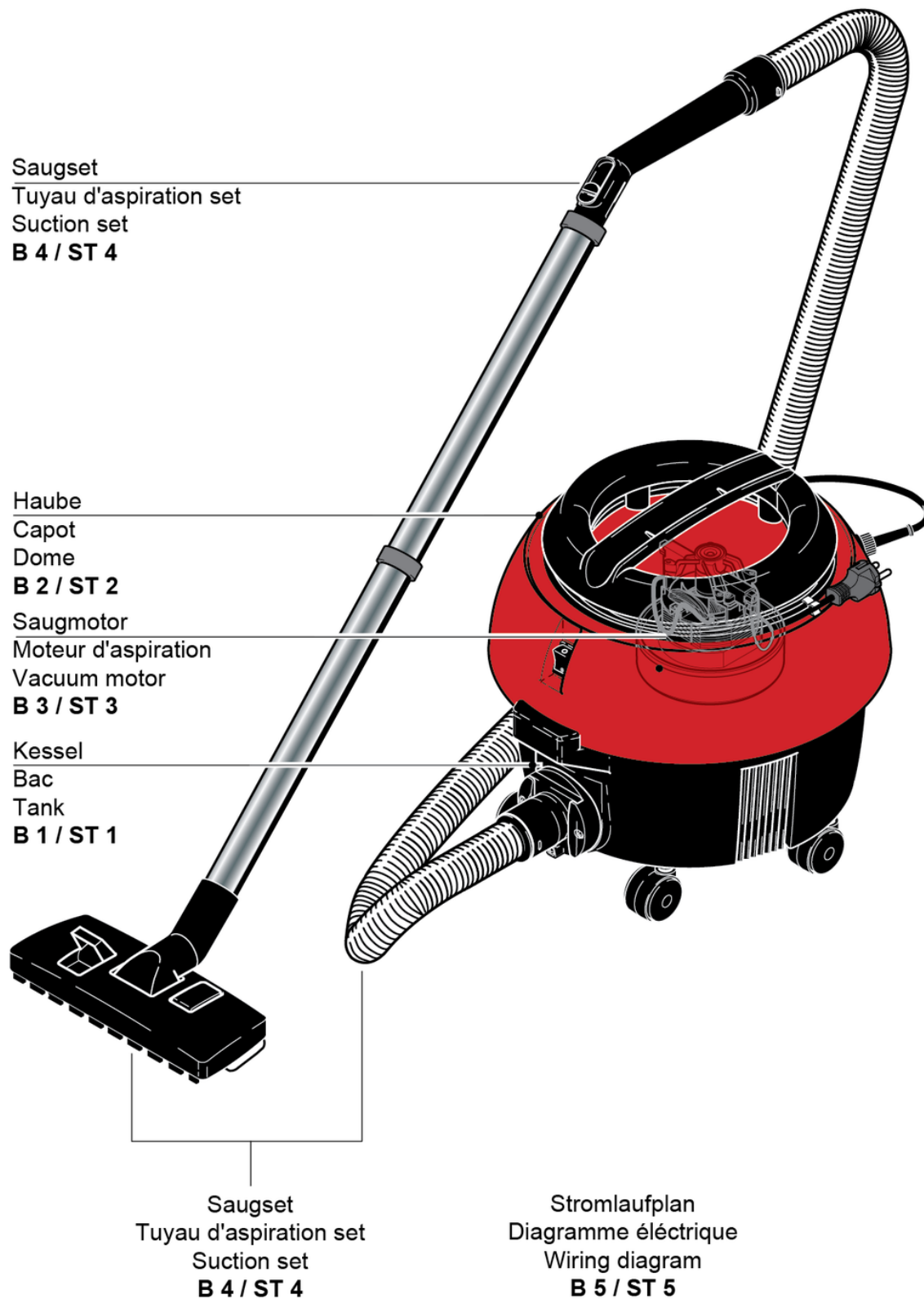
# CLEANFIX S 10

## Contents

PDF created on: 10.11.2023 19:13



S-10



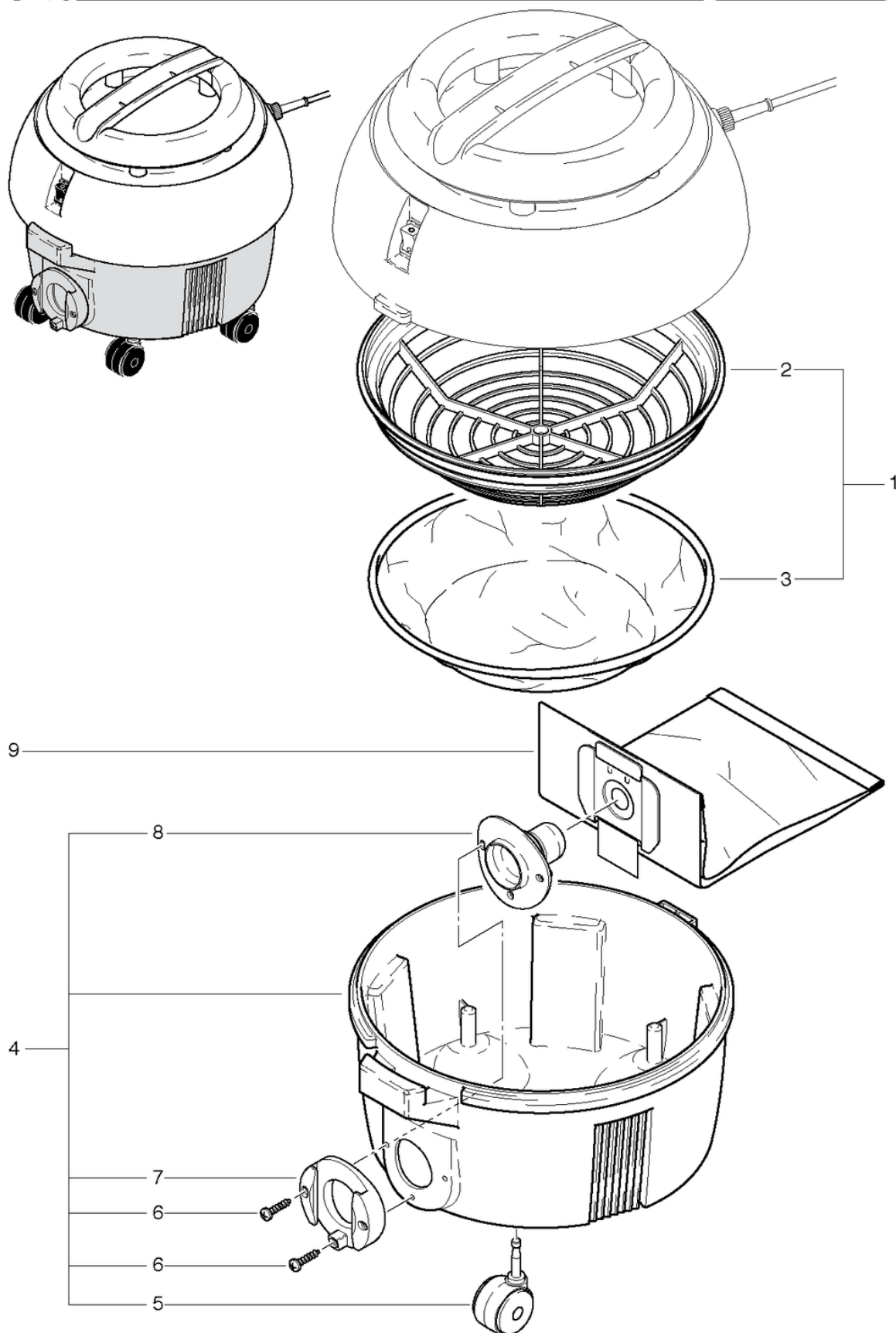
# CLEANFIX S 10

## Tank connection

PDF created on: 10.11.2023 19:13



S-10



<b>Pos.</b>	<b>Item no.</b>	<b>Spare part</b>
1	022.300	Dustbag basket with filter cpl.
2	022.310A	Filter
3	022.320	Filter cloth
4	012.200	Tank cpl.
5	P204F	Castor ø50mm
6	P515E	Screw WN 1452 K50 x 30
7	4012234	Anthracite gray tub connection
8	4012393	Bag Inlet
9	022.430	Paper dustbag (5 pieces)

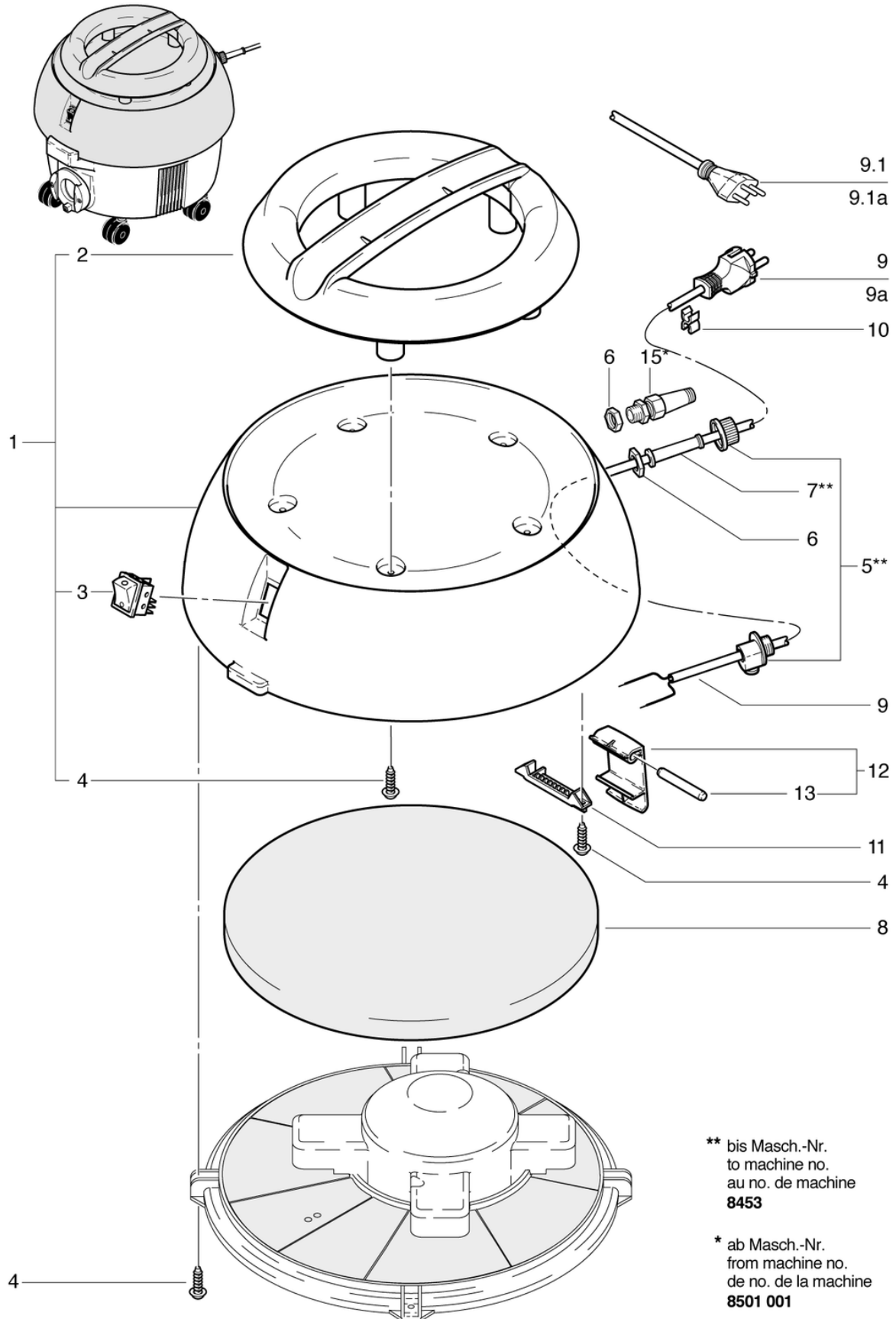
# CLEANFIX S 10

## Dome

PDF created on: 10.11.2023 19:13



### S10



\*\* bis Masch.-Nr.  
to machine no.  
au no. de machine  
**8453**

\* ab Masch.-Nr.  
from machine no.  
de no. de la machine  
**8501 001**

<b>Pos.</b>	<b>Item no.</b>	<b>Spare part</b>
1	022.110	Dome Assembly Red
2	022.112	Handle
3	P240F	Rocker switch LED
4	P516GB	Screw W 1451 K40 x 14
5	P279	2-part strain relief clamp
6	P279H	Lock nut PG9 brass nickel-plated
7	P280	Cable grommet
8	022.116	Noise Absorbing Sheet
9.1a	P287A	Main cable SEV 2 x 1,0mm <sup>2</sup> , 10m
9.1	P288A	Mains cable VDE 2 x 1.0mm <sup>2</sup> , 10m
9a	P287	Main cable SEV 2 x 0,75mm <sup>2</sup> , 7,5m
9	P288	Mains cable VDE 2 x 0.75mm <sup>2</sup> , 7.5m
10	P278	Cable - clips gray
11	022.114	Pin Hold
12	020.116	Seal lever complete
13	022.115	Pin
15	P279K	Cable gland PG9 with kink protection spiral

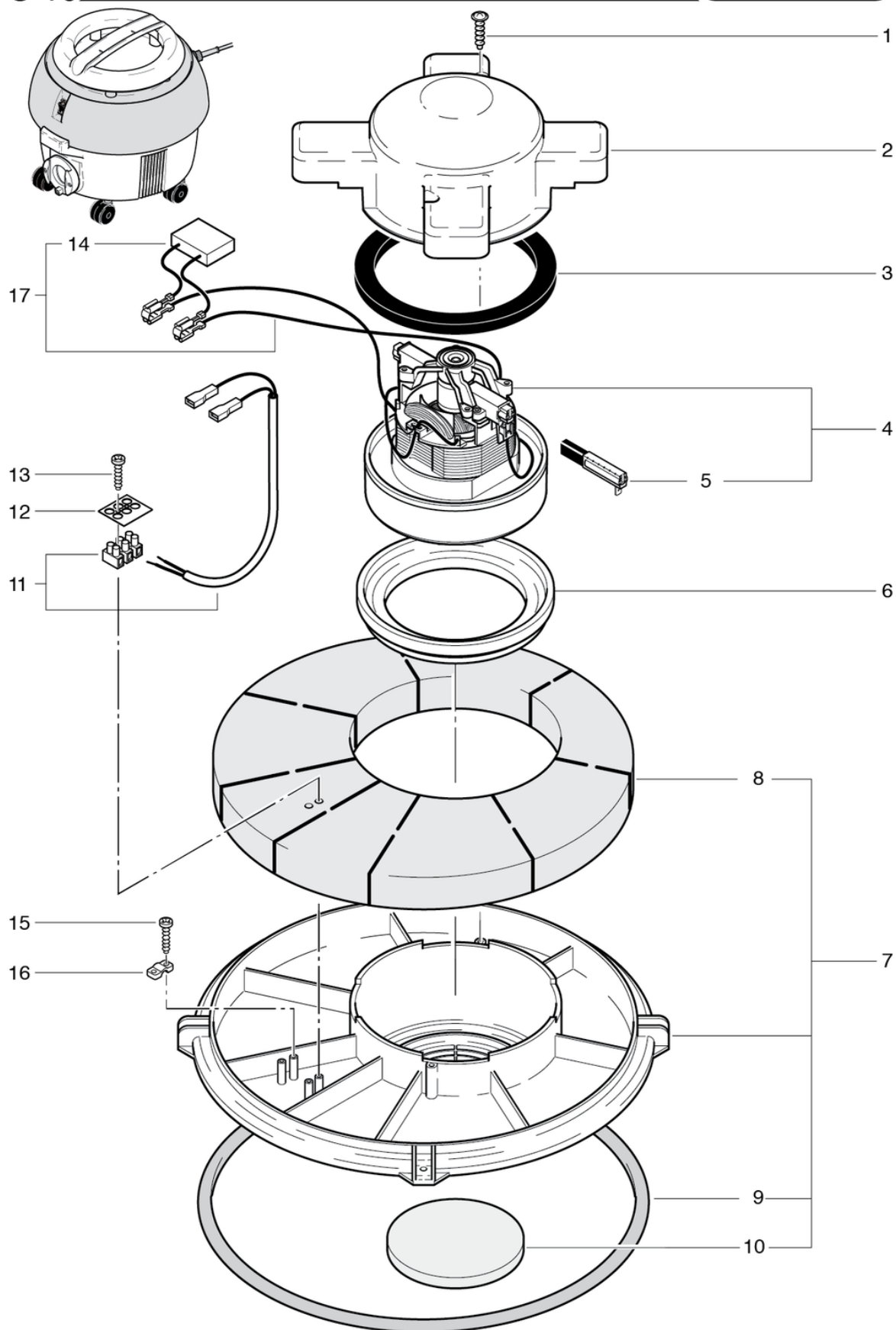
# CLEANFIX S 10

## Vacuum motor

PDF created on: 10.11.2023 19:13



S-10



<b>Pos.</b>	<b>Item no.</b>	<b>Spare part</b>
1	P516G	Screw WN 1451 K40 x 16
2	022.132	Lower Motor Housing
3	012.133	Seal for Motor S10/12
4	P872	Suction motor S10/12 220-240V/50Hz
5	P872A	Carbon brushes (pair)
6	P971J	Turbine seal S10 / 12
7	022.130	Motorplate Complete
8	022.135	Noise Absorber
9	022.136	Bucket Gasket
10	022.134	Air Filter for Motor
11	022.139	Cable Tree 600mm
12	P390	Marking plate
13	P516E	Screw WN 1451 K30 x 20
14	P393E	Capacitor 0.15 uF
15	P516Q	Screw WN 1452 K50 x 18
16	4611085	Cable Clamp
17	012.143	Motor cable harness incl. cond.

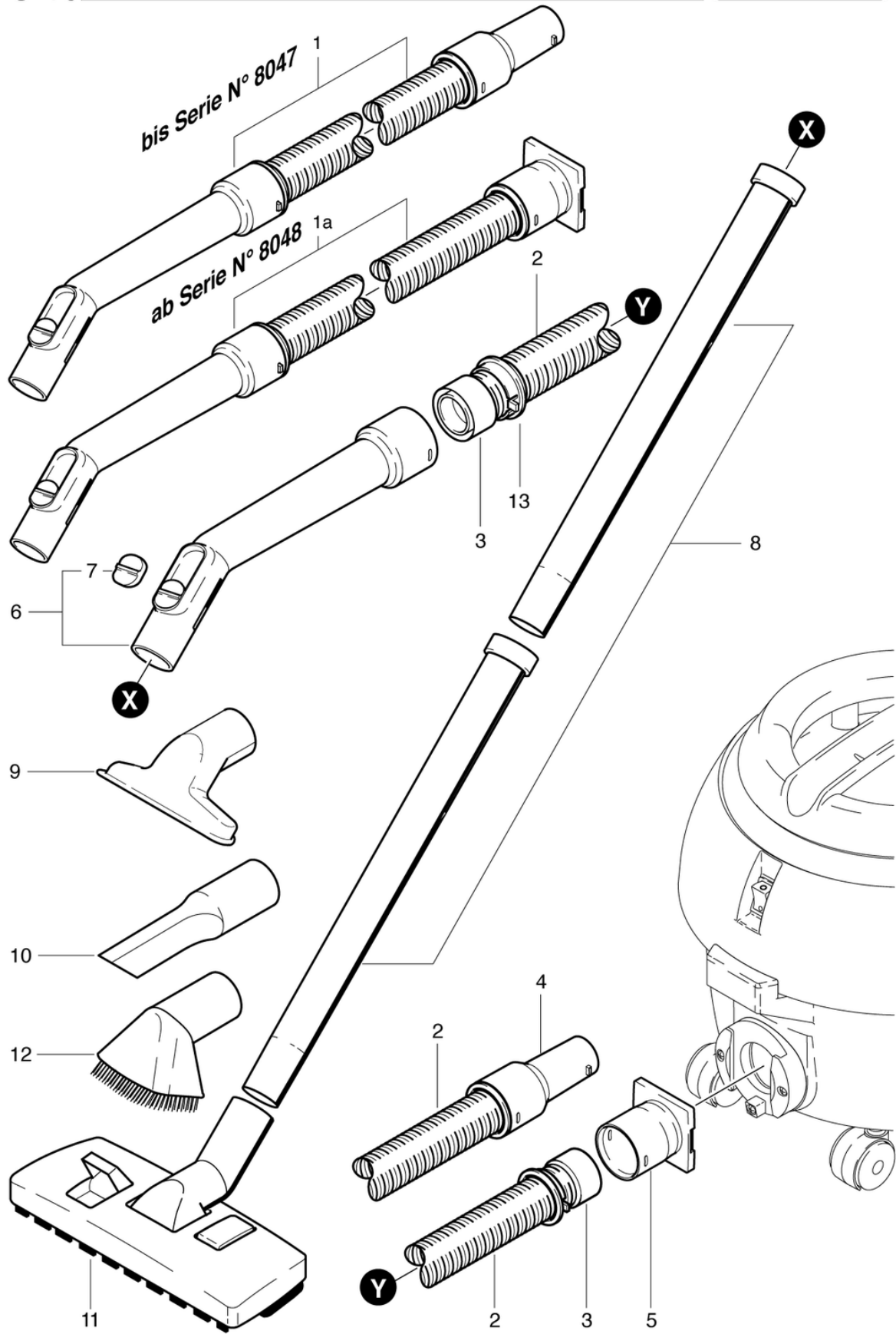
# CLEANFIX S 10

## Suction set

PDF created on: 10.11.2023 19:13



S-10





<b>Pos.</b>	<b>Item no.</b>	<b>Spare part</b>
1a	012.567	Suction hose 2.2m with hand tube and missing air flap
1	900.567	2.2m suction hose cpl.
2	900.569	Suction hose NW32 x 2.2m
3	P583	Support ring for screw on ø32
4	P577	Connection sleeve with cams
5	012.570	Hose End Connector
6	900.670	Hand tube with defective air flap and slide
7	P581B	Slide
8	645.002	Metallic tube
9	645.004	Upholstery nozzle
10	645.006	Rubber crevice tool
11	645.103	Combi nozzle
12	645.005	Dropery brush
13	P578	Click ring gray

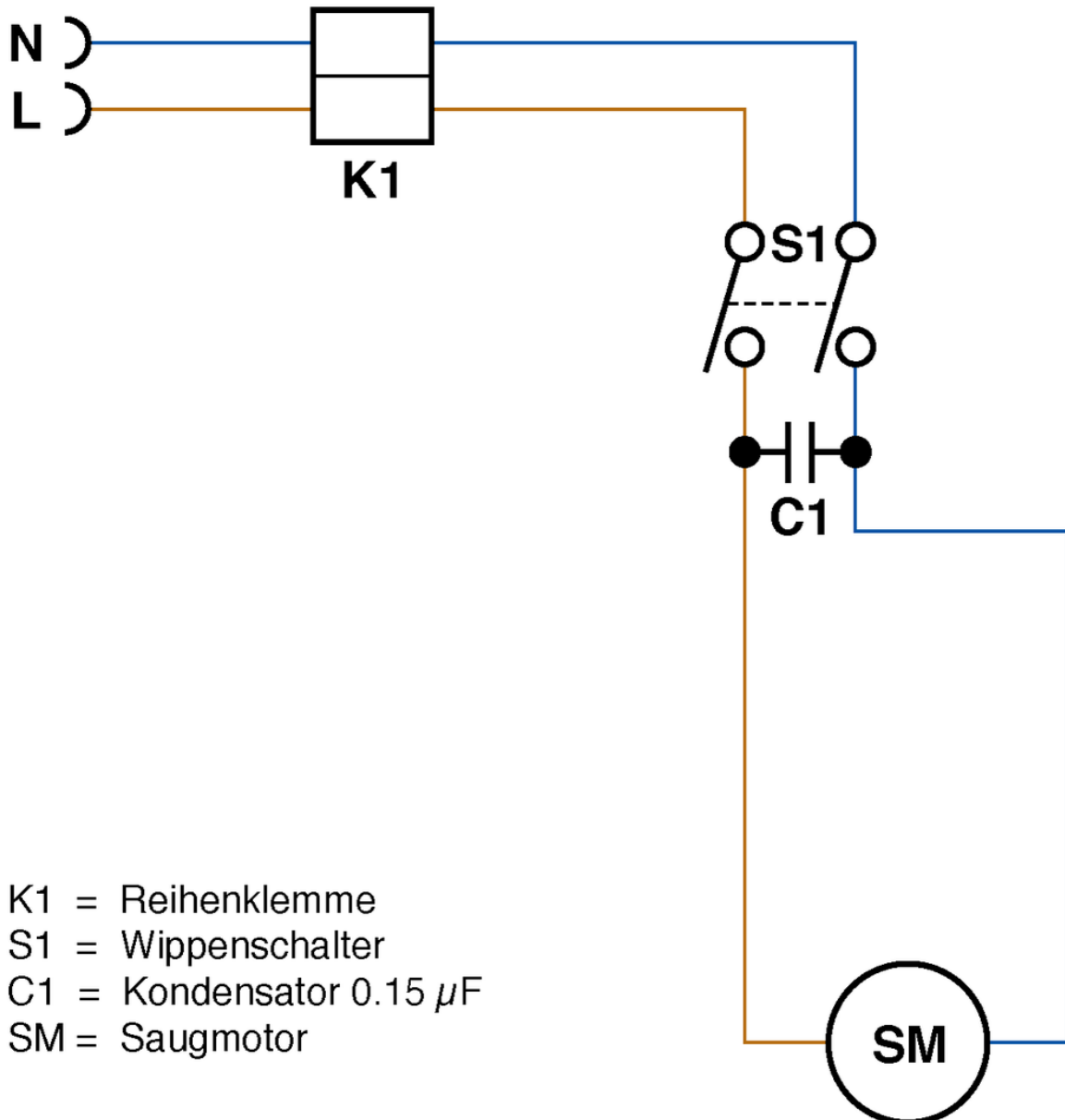
# CLEANFIX S 10

## Wiring diagram

PDF created on: 10.11.2023 19:13



S-10



- K1 = Reihenklemme
- S1 = Wippenschalter
- C1 = Kondensator 0.15  $\mu$ F
- SM = Saugmotor