

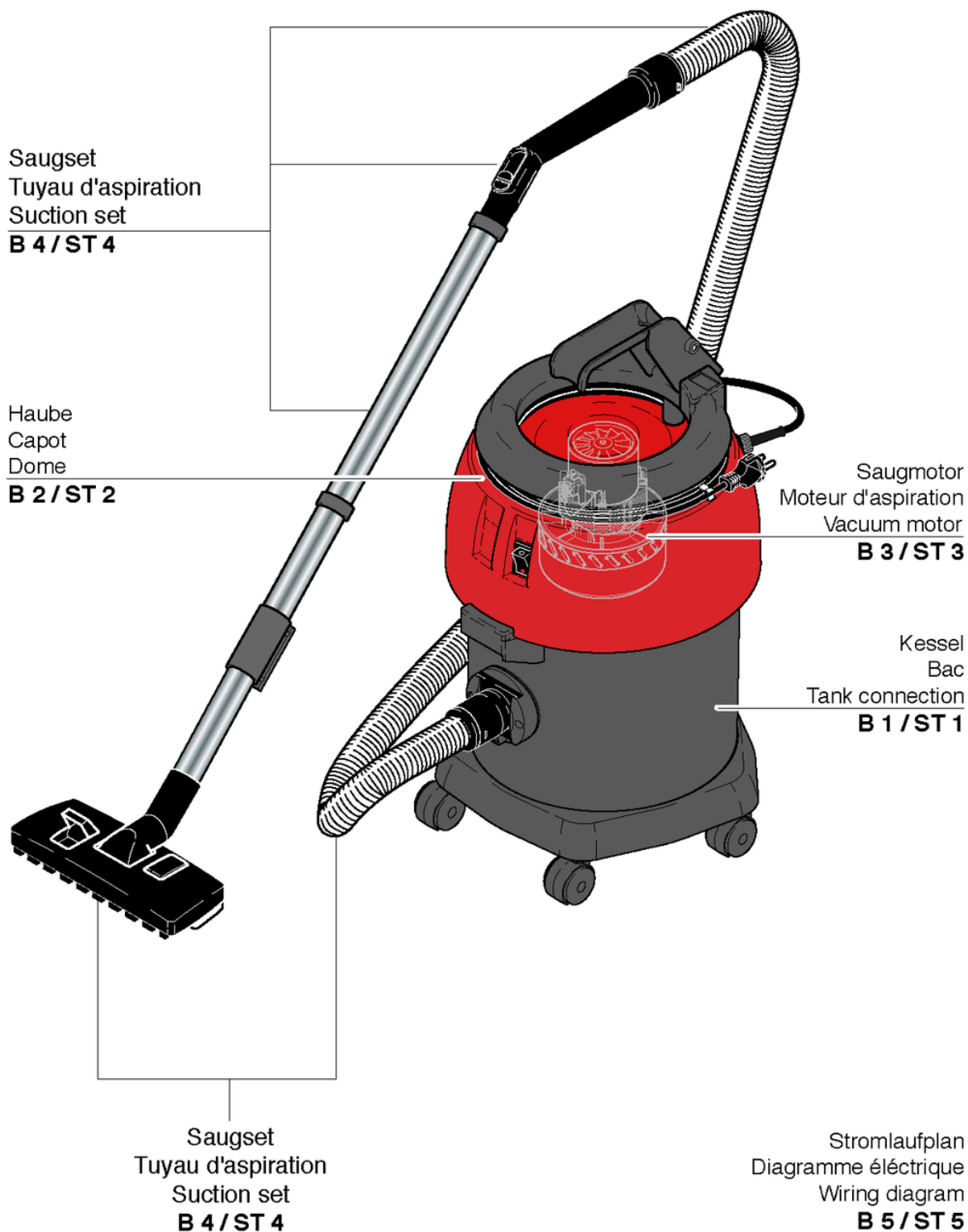
# SW20 plus

## Contents

PDF created on: 10.11.2023 19:15



SW 20 Plus



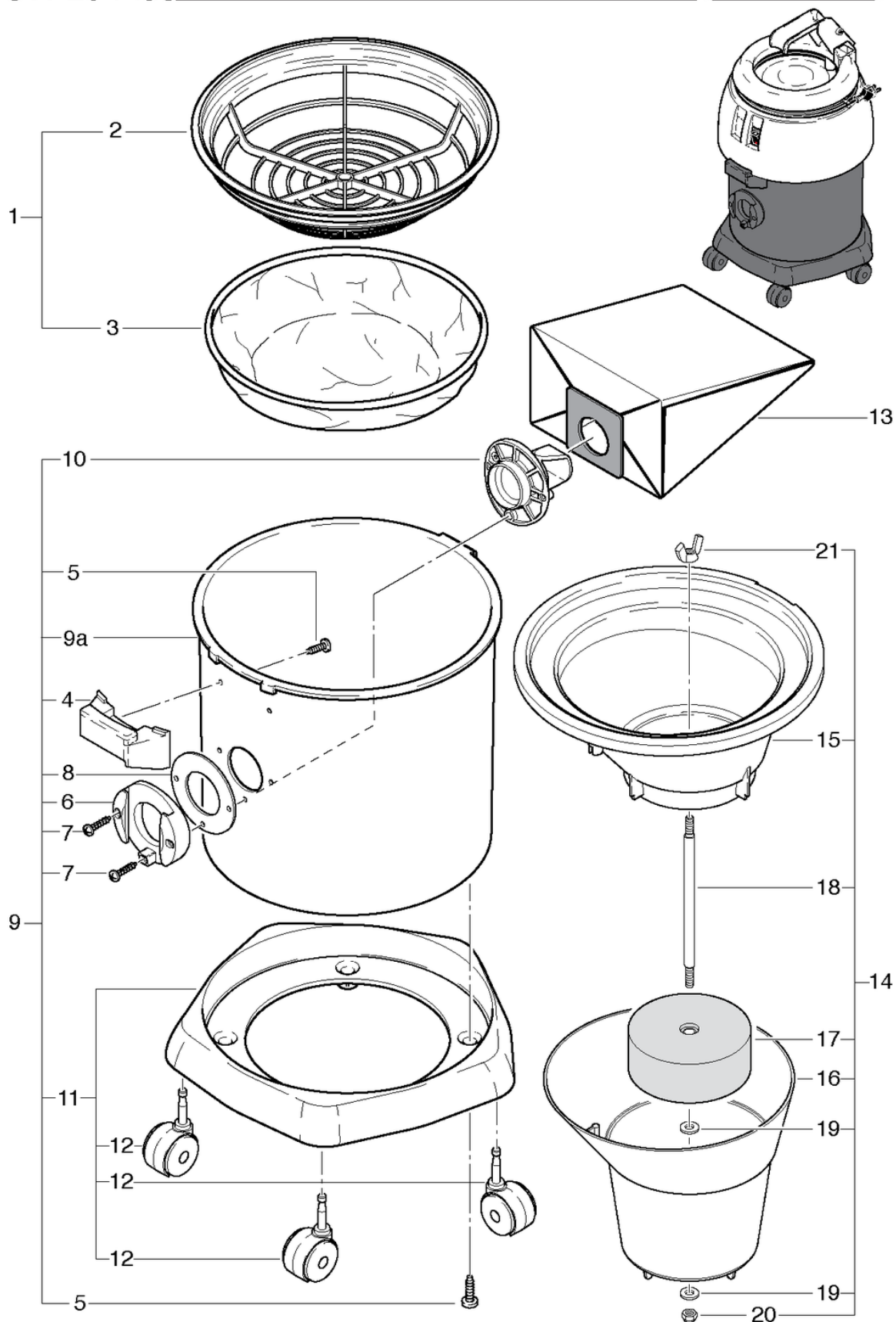
# SW20 plus

## Tank connection

PDF created on: 10.11.2023 19:15



SW 20 Plus



<b>Pos.</b>	<b>Item no.</b>	<b>Spare part</b>
1	20122519	Dustbag basket with filter cpl.
2	4012186	Filter Cartridge
3	020.320	Filter cloth
4	020.122	Hood sensor S20 anthracite gray
5	P516H	Screw WN 1451 K50 x 16
6	4012234	Anthracite gray tub connection
7	P515E	Screw WN 1452 K50 x 30
8	649012512	Seal
9a	020.125	SW20 Base
9	020.100	Tank SW20 anthracite gre<
10	014.106	Deflectors SW21 anthracite gray
11	020.128	Trolley SW20 anthracite gray cpl. incl. 5 bikes
12	P204F	Castor ø50mm
13	020.420	Dustbags
13	020.430	Dustbags (10 pieces)
14	021.601	Float insert cpl.
15	014.622A	Carrier wet suction
16	014.623	Float cover
17	014.620	Float Assembly
18	014.624	Float rod
19	P497K	Washer DIN 125 A M6 6,4/12/1,6 A2
20	P492K	Nut DIN 985 M6 A2
21	P253L	Wing nut Ø34 M6 through thread

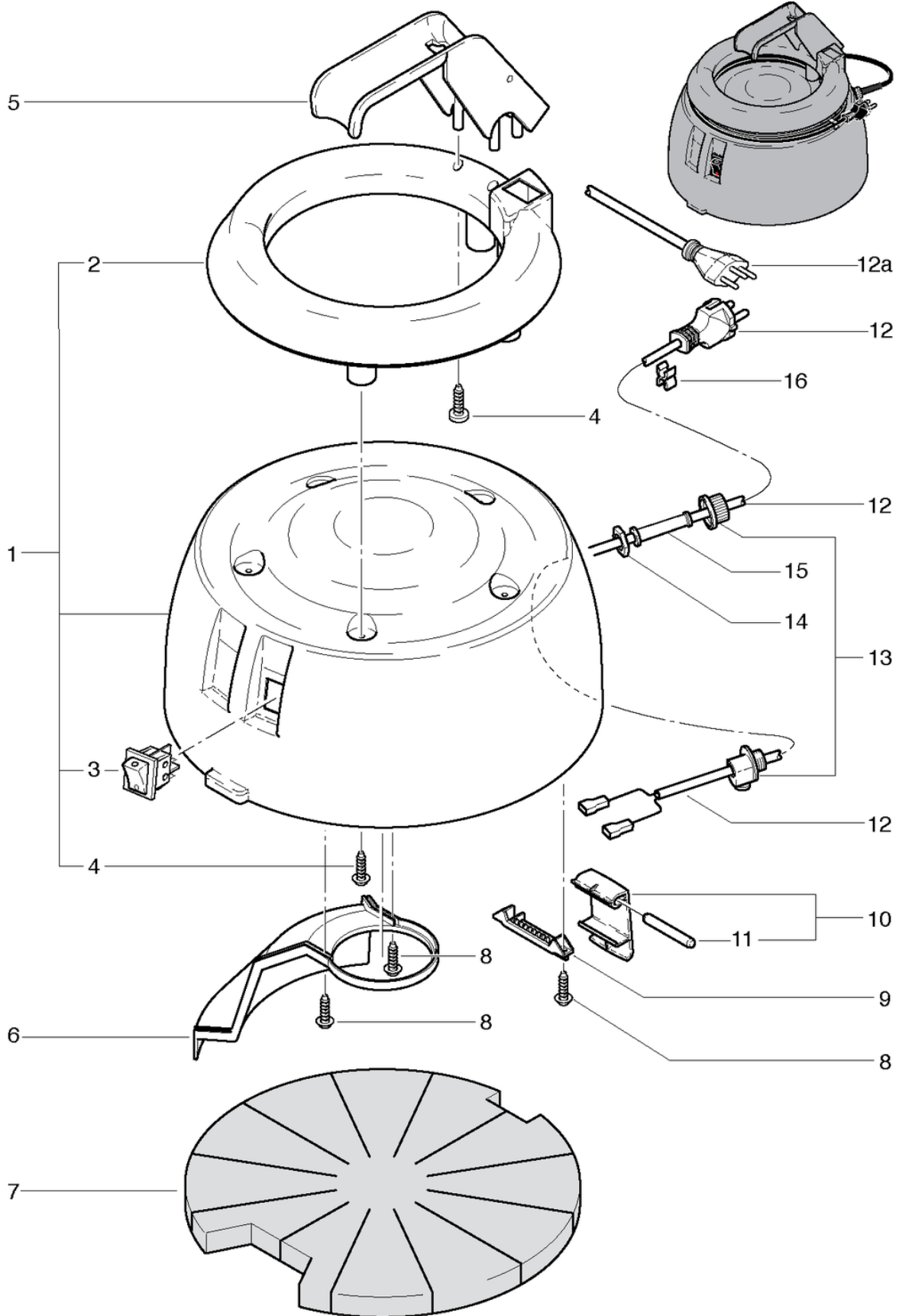
# SW20 plus

## Dome

PDF created on: 10.11.2023 19:15



SW 20 Plus



<b>Pos.</b>	<b>Item no.</b>	<b>Spare part</b>
1	021.204	Cover SW20 Plus cpl. red SW20 printed
2	026.113	Handle ring S20 Plus
3	P240	Rocker switch orange 230V
4	P516G	Screw WN 1451 K40 x 16
5	012.117	Anthracite gray handle
6	020.213	Air canal
7	021.206	Noise absorber
8	P516C	Screw WN 1452 K40 x 16
9	022.114	Pin Hold
10	020.116	Seal lever complete
11	022.115	Pin
12a	P287A	Main cable SEV 2 x 1,0mm <sup>2</sup> , 10m
12	P288A	Mains cable VDE 2 x 1.0mm <sup>2</sup> , 10m
13	P279	2-part strain relief clamp
14	P279H	Lock nut PG9 brass nickel-plated
15	P280	Cable grommet
16	P278	Cable - clips gray

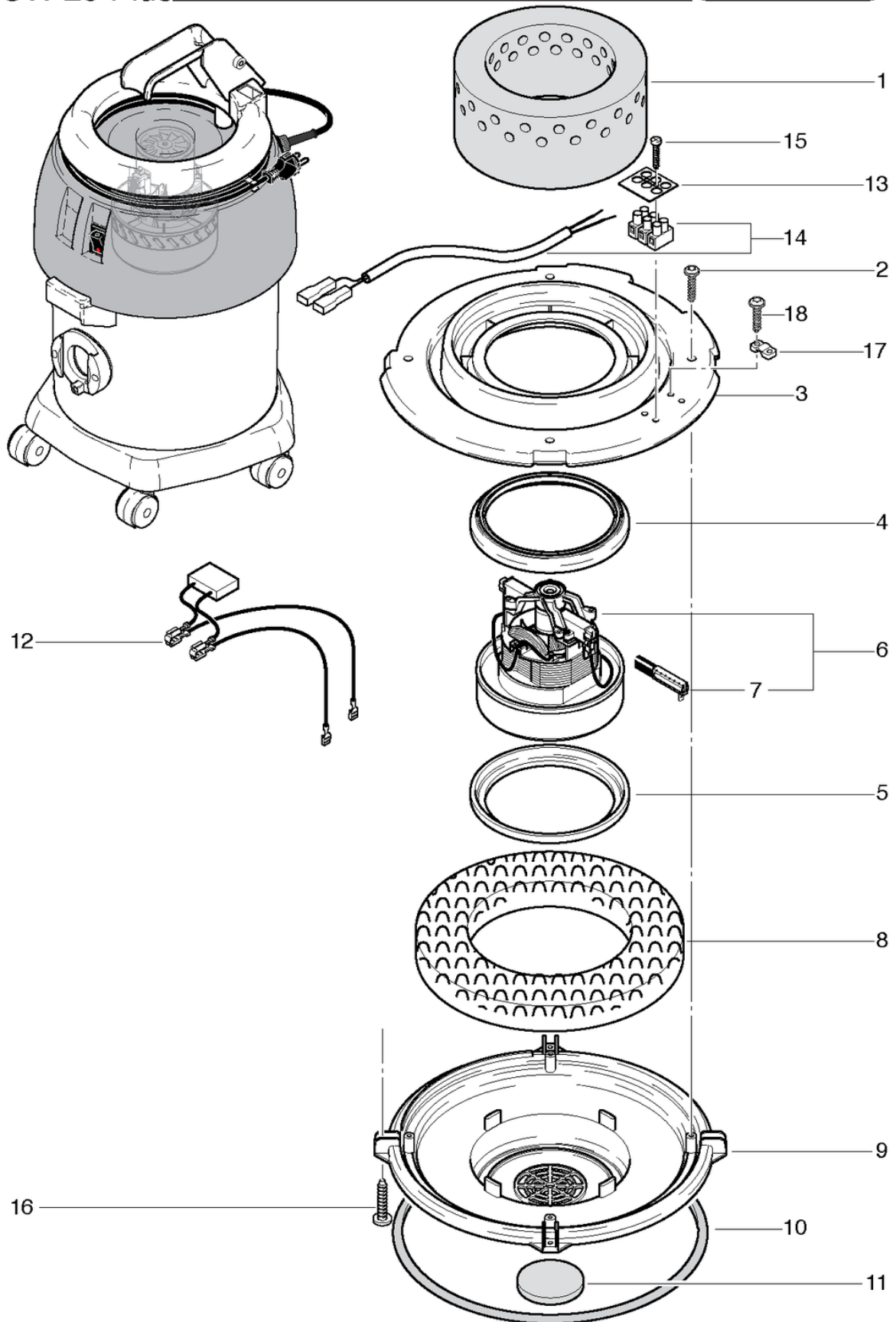
# SW20 plus

## Vacuum motor

PDF created on: 10.11.2023 19:15



SW 20 Plus



<b>Pos.</b>	<b>Item no.</b>	<b>Spare part</b>
1	020.211	Motor sound insulation
2	P515X	Screw WN 1452 K40 x 20
3	020.303	Holding plate
4	012.133	Seal for Motor S10/12
5	P971H	Turbine sealing
6	P870E	Suction motor 230V/50Hz 1000 W bp
7	P870KB	Carbon brushes (pair) OEP
8	020.309	Isolation Ring
9	020.308	Reinforcement Piece
10	020.304	Boiler seal
11	022.134	Air Filter for Motor
12	022.143	Cable harness suction engine incl. interference suppression capacitor
13	P390	Marking plate
14	020.307	Cable harness with clamp
15	P516E	Screw WN 1451 K30 x 20
16	P517A	Screw WN 1452 K40 x 35
17	4611085	Cable Clamp
18	P515Z	Screw WN 1452 K50 x 16

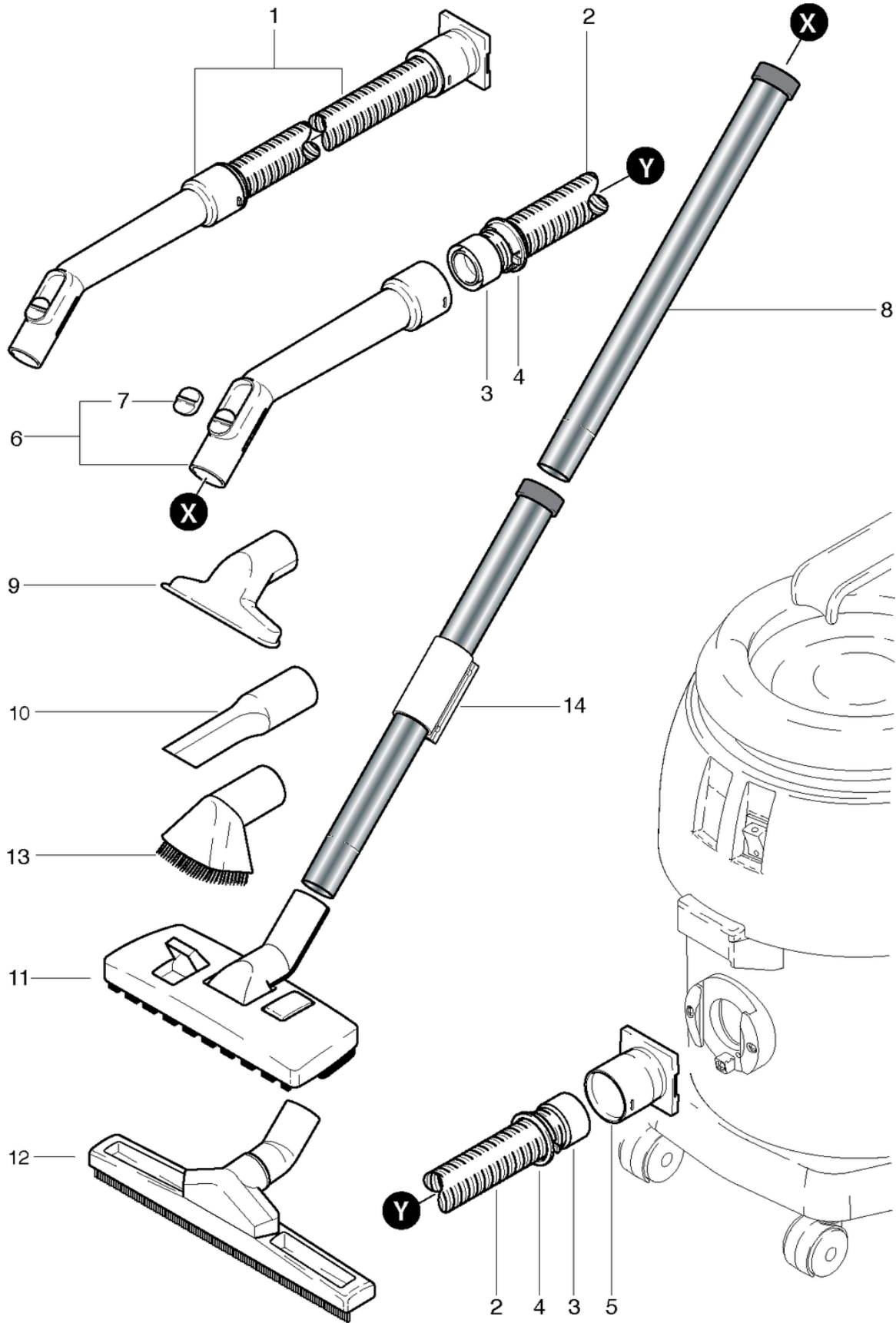
# SW20 plus

## Suction set

PDF created on: 10.11.2023 19:15



SW 20 Plus





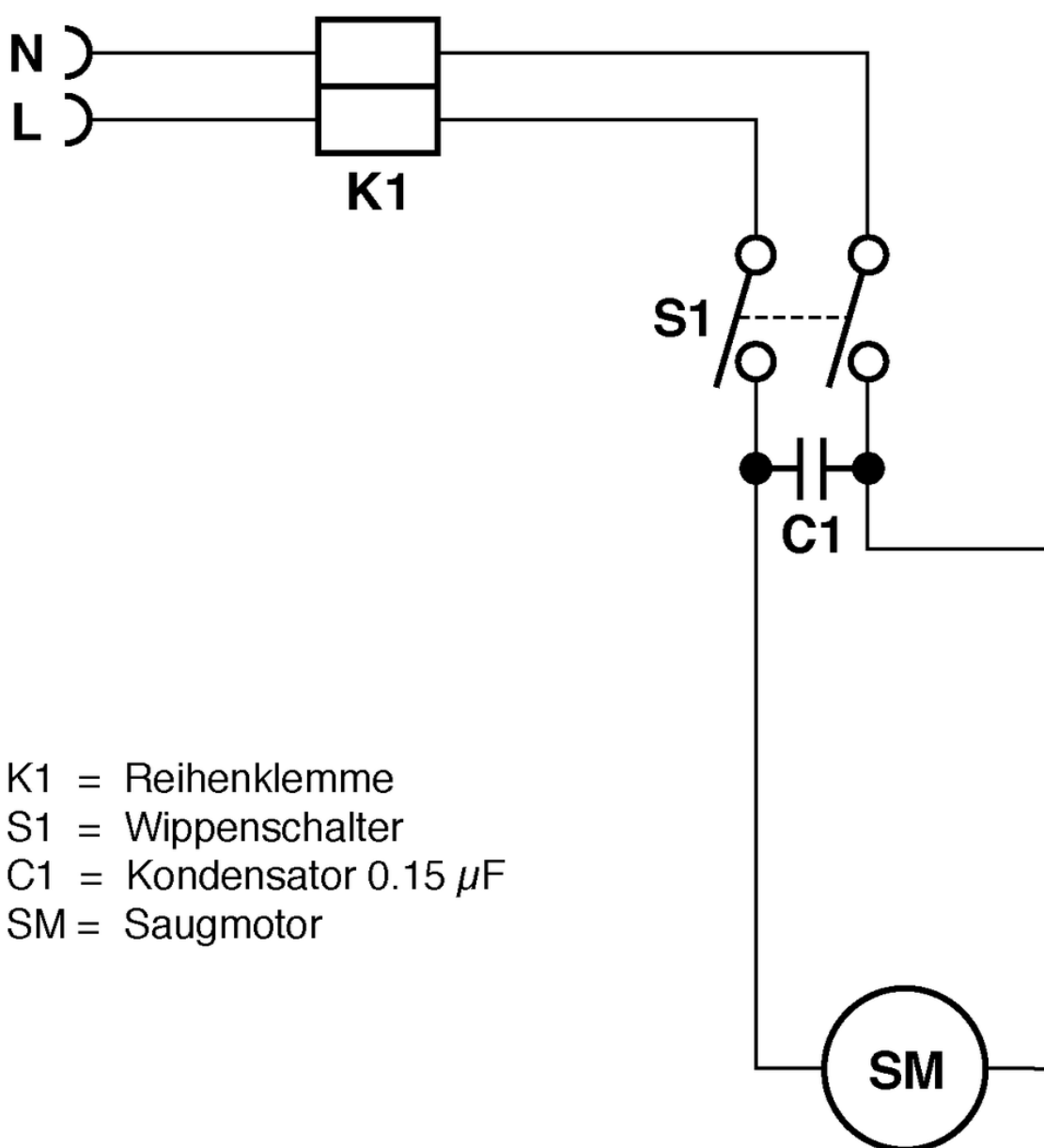
<b>Pos.</b>	<b>Item no.</b>	<b>Spare part</b>
1	020.567	Suction hose 3m, with hand tube
2	P562A	Suction hose, NW32 x 3m
3	P583	Support ring for screw on $\varnothing$ 32
4	P578	Click ring gray
5	012.570	Hose End Connector
6	900.670	Hand tube with defective air flap and slide
7	P581B	Slide
8	645.002A	Inox tube
9	645.004	Upholstery nozzle
10	645.006	Rubber crevice tool
11	645.103	Combi nozzle
12	646.300	Water suction nozzle, 37cm
13	645.005	Dropery brush
14	645.003	Inox tube with clip

# SW20 plus

## Wiring diagram

PDF created on: 10.11.2023 19:15

SW 20 Plus



- K1 = Reihenklemme
- S1 = Wippenschalter
- C1 = Kondensator 0.15  $\mu$ F
- SM = Saugmotor