

E50x35 Excenter

Contents

PDF created on: 10.11.2023 19:59



E50x35 Excenter

Stromlaufplan
Diagramme électrique
Wiring diagram
B 6

Stieloberteil
Top part front side
Partie supérieure en avant
B 4

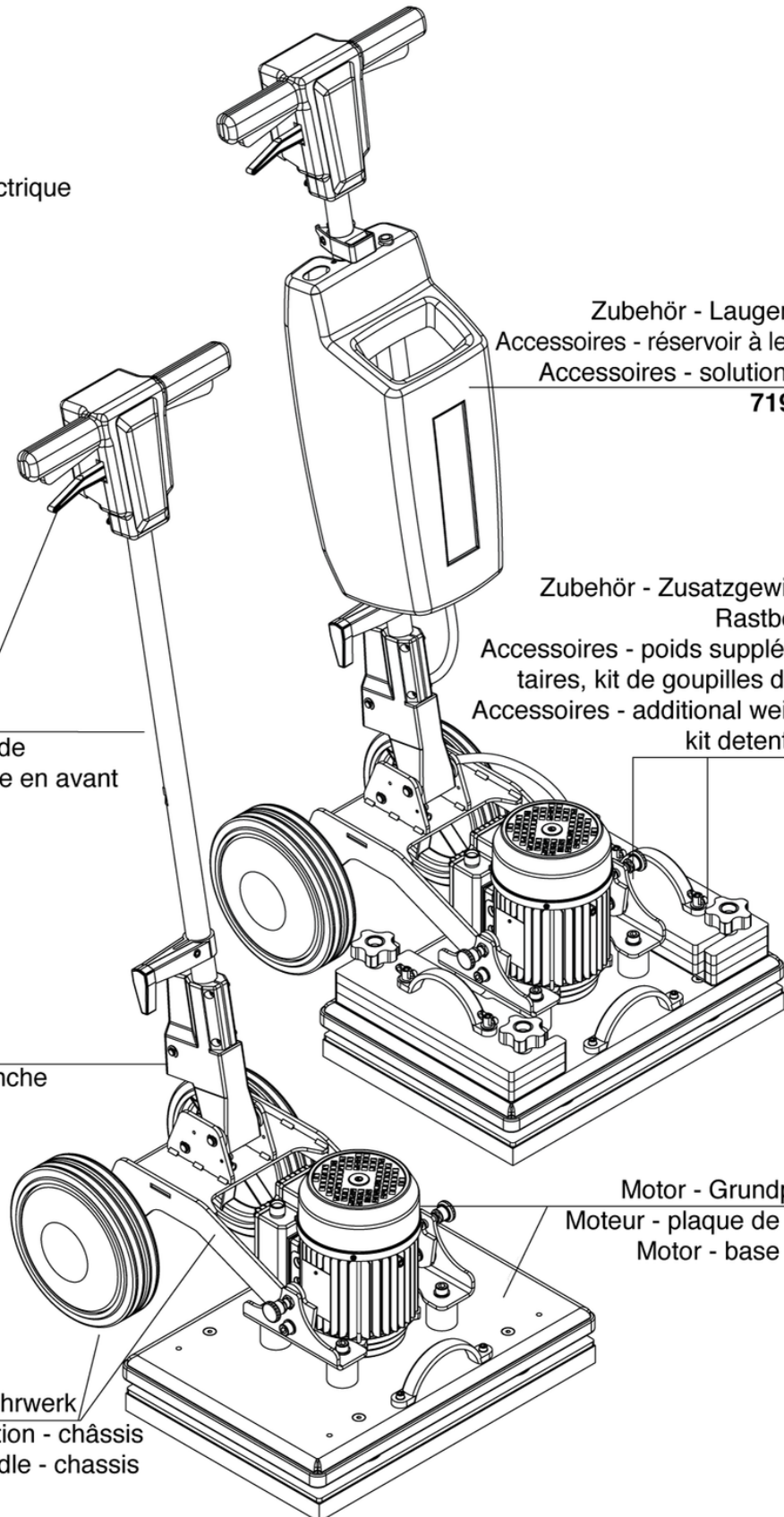
Stielversteller
Règlage du manche
Shaft adjuster
B 3

Anbau Griff - Fahrwerk
Poignée de fixation - châssis
Attachment handle - chassis
B 1

Zubehör - Laugentank
Accessoires - réservoir à lessive
Accessoires - solution tank
719.000

Zubehör - Zusatzgewichte,
Rastbolzen
Accessoires - poids supplémen-
taires, kit de goupilles d'arrêt
Accessoires - additional weights,
kit detent pins
B 5

Motor - Grundplatte
Moteur - plaque de base
Motor - base plate
B 2



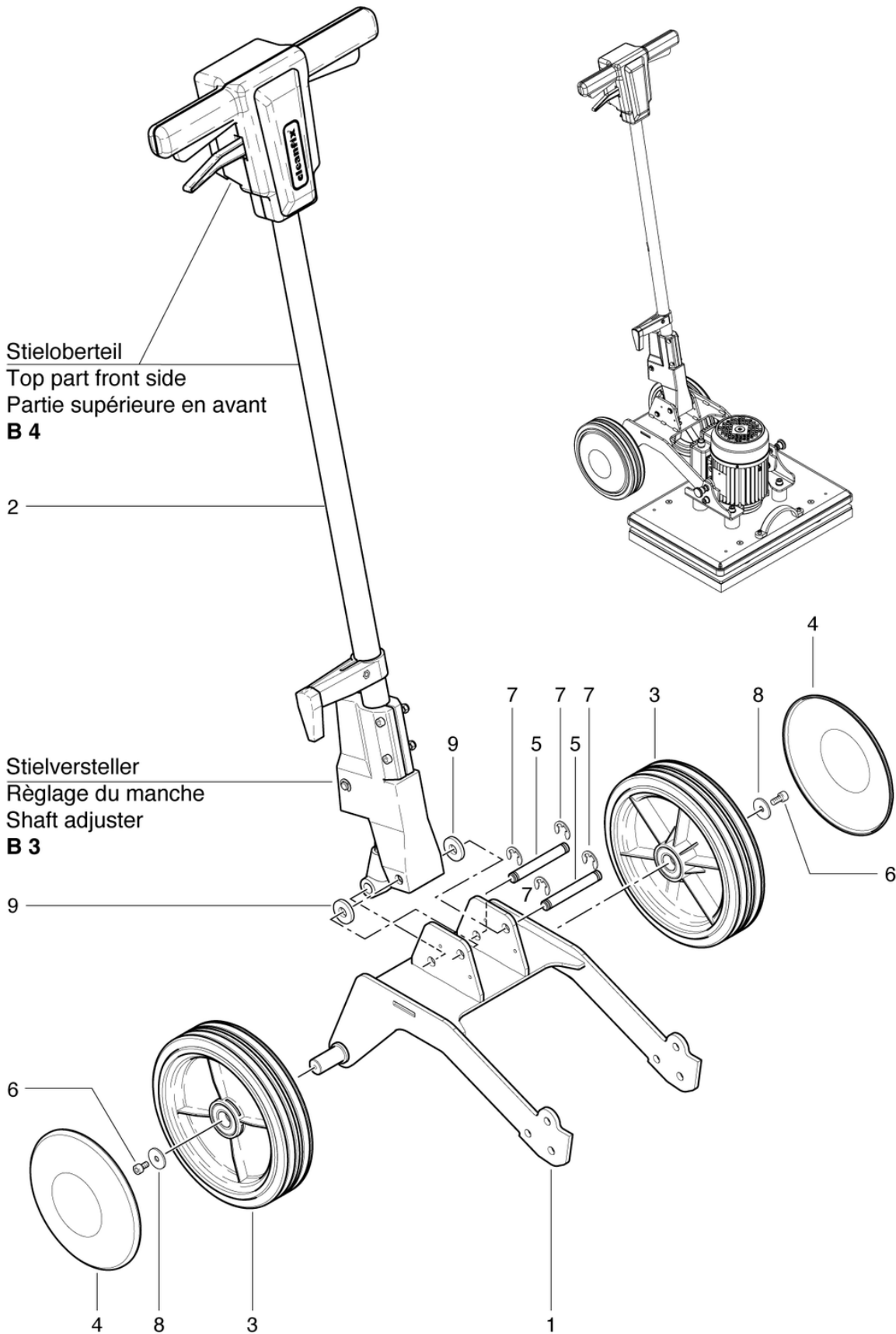
E50x35 Excenter

Attachment handle - chassis

PDF created on: 10.11.2023 19:59



E50x35 Excenter



Pos.	Item no.	Spare part
1	750.553	Handle connection welded
3	530.240	wheel ø226 x 53 including bearings
4	530.242	Wheel Cover Red
5	750.548	Axle
6	P486Q	Screw DIN 912 M6 x 12 A2
7	P499Q	Shim DIN 6799 8/16,3/1
8	P510L	Washer DIN 522 M6 6,4/25/1,5 A2
9	750.547	Spacer sleeve
2	P700	Handle compl.

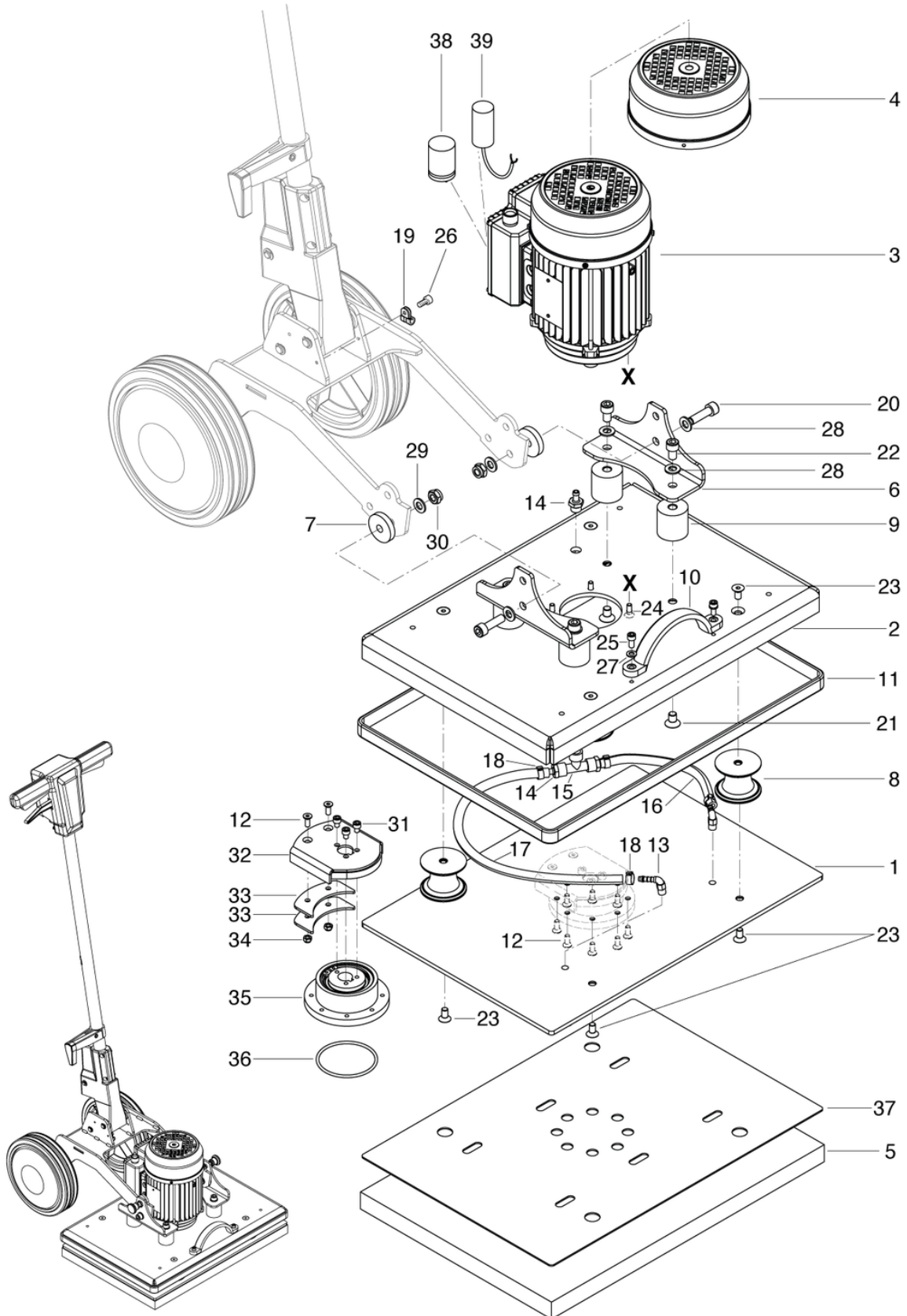
E50x35 Excenter

Motor - base plate

PDF created on: 10.11.2023 19:59



E50x35 Excenter



Pos.	Item no.	Spare part
1	750.567	Base Plate
2	750.561	Top plate welded
3	P220D	Motor 230V / 1100W
4	750.591	Covering cap red
5	750.585.5	Pad red 350x500
6	750.516	Handle connection
7	750.583	Spacer sleeve
8	P172I	
9	P172D	Round buffer M10 x 10, ø40 x 40mm 40° Sh A ±5
10	P173I	Bow handle
11	750.538	Buffer
12	P487W	Screw DIN 7991 M6 x 16 A2
13	P541R	Elbow nipple WES 6 / R1 / 8
14	028.224E	Hose Connection Nipple
15	P544F	T-piece 1/4"-1/4"-1/4"
16	750.534	Hose left
17	750.532	Hose right
18	P550L	Hose clamp 011.8-505R
19	P209H	Pipe clamp DIN 3016 ø12mm
20	P487HA	Screw DIN 912 M10 x 35 A2
21	P480D	Screw DIN 7991 M10 x 16
22	P487G	Screw ISO 4762 M10 x 16
23	P480Q	Screw DIN 7991 M8 x 16 A2
25	P486QA	Screw DIN 912 M6 x 14 A2
26	P489E	Screw DIN 912 M5 x 10 A2
27	P500V	Washer ISO 7092- M6 6,4/10,57/1,6 A2
28	P496T	Shim DIN 125 A M10 10,5/20/2
29	P510A	Shim DIN 125 A M10 10,5/20/2 PA6.6
30	P492Q	Nut DIN 985 M10
31	P486YD	Screw DIN 912 M6 x 8 A2
32	750.576	Driving plate
33	750.577	Counterbalance
34	P492K	Nut DIN 985 M6 A2
35	750.593	Excentric bearing assy
36	P809C	Ring ISO DIN 3601 72.62/3.53-N-NBR 70
37	750.564	Velcro plate
38	P385R	Operating Capacitor 31.5uF
39	P385Q	Run Capacitor 50uF

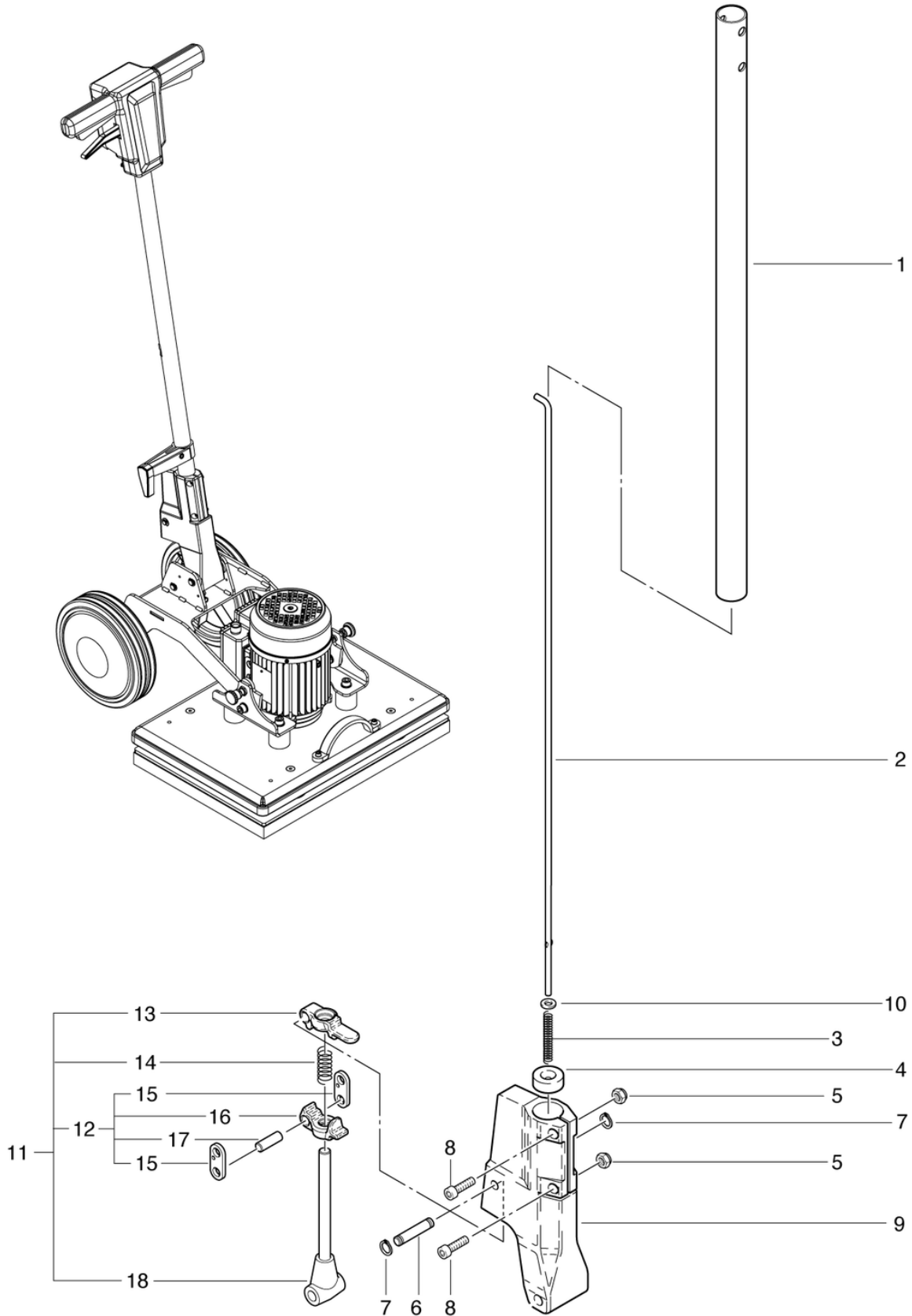
E50x35 Excenter

Shaft adjuster

PDF created on: 10.11.2023 19:59



E50x35 Excenter



Pos.	Item no.	Spare part
1	742.410L	Shaft Tube
2	742.212L	Drawbar L = 863mm
3	634711031	Compression spring 1 / 6.2 / 55
4	623711022	Guide Sleeve
5	P493K	Nut DIN 985 M6
6	672711018	Axle
7	P499Q	Shim DIN 6799 8/16,3/1
8	P486G	Screw DIN 7984 M6 x 25 galvanized
9	742.260	Handle adjustment unit light gray RAL7035
10	P496K	Shim DIN 125 A M6 6,4/12/1,6
11	2711133	Handle adjuster cpl.
12	741.280	Adjuster short cpl.
13	3711236	Adjustment piece long
14	634711020	Compression spring 2 / 12,2 / 37
15	4711014	Holder
16	3711237	Adjustment piece short
17	672711019	Axle
18	741.270	Adjusting rod 177mm cpl.

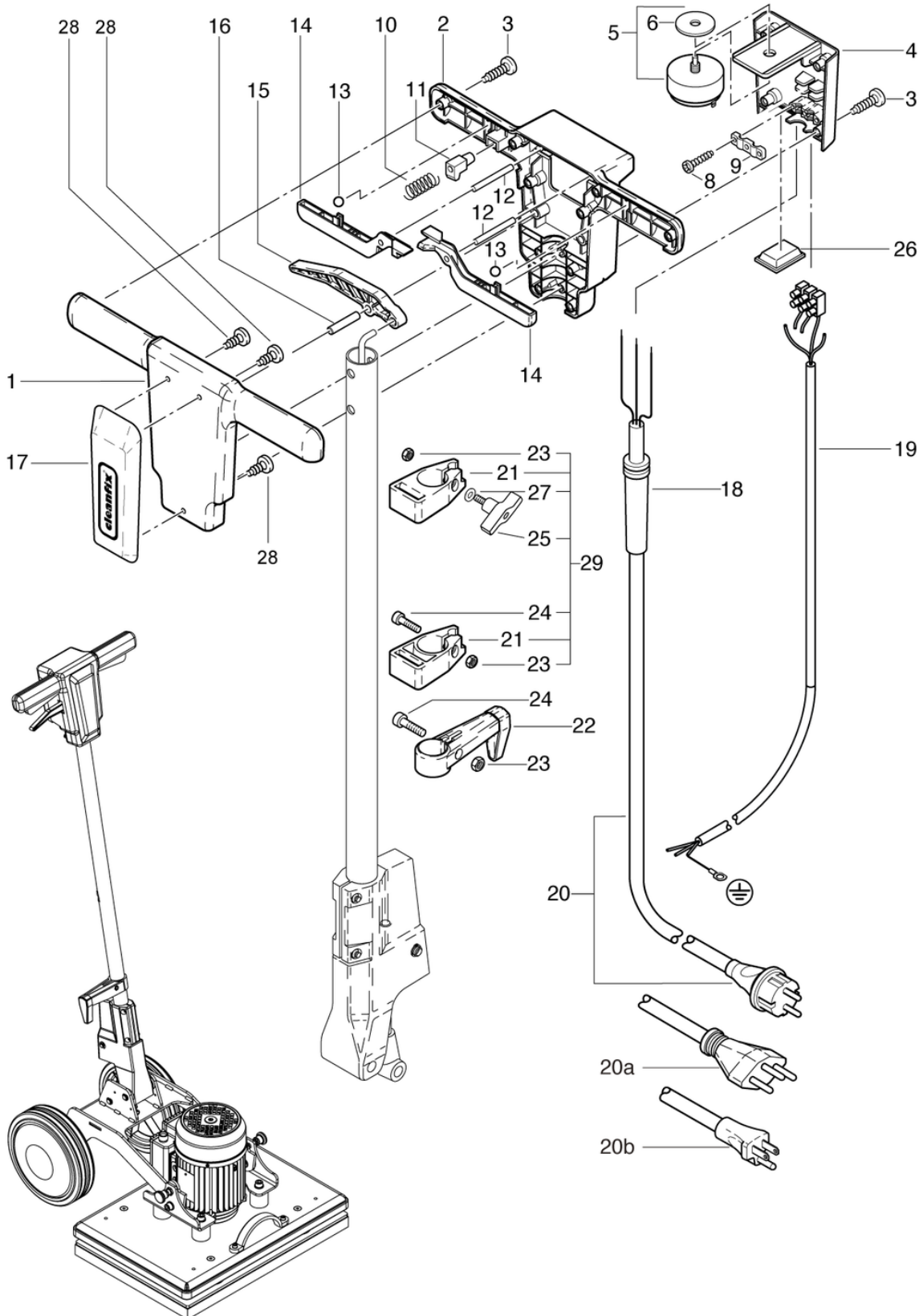
E50x35 Excenter

Top part front side

PDF created on: 10.11.2023 19:59



E50x35 Excenter



Pos.	Item no.	Spare part
1	741.201	Front Cover Handle
2	741.202	Upper part of handle at the back anthracite gray
3	P515L	Screw WN 1452 K50 x 25 A2
4	741.310	Rear Handle Cover
5	6650454	Switch
6	P496	Shim DIN 9021 M12 13/37/3
10	742.209	Compression spring VD-090L 0.55 / 6 / 29.2
11	742.208	Button grey anthrazite
12	P512M	Pin ISO 2338 6 x 50 pc vz
13	6440641	Ball DIN 5401 8
14	741.204	Switch
15	741.207	Shaft Adj Lever
16	P512P	Pin ISO 2338 8 x 40 pc vz
17	741.208	Screen, red
18	660011014	R53-1100 Cable Sleeve
19	750.312	Stalk cable with Kl. 3 x 1.5mm ²
20a	65671103901	Mains cable SEV 3 x 1.5mm ² , 12.5m
20b	P289D	Mains cable GB 3 x 1.5mm ² , 15m, gray
20	656711039	Mains cable VDE 3 x 1.5mm ² , 12.5m gray
21	4711231	Solution Tank Holder
22	3711029	Cable holder CL cpl.
23	P490D	Nut DIN 934 M6
24	P486T	Screw DIN 912 M6 x 25
25	P253X	Wing nut Ø48 M6x25
26	741.216	Switch Handle
27	P496K	Shim DIN 125 A M6 6,4/12/1,6
28	P516V	Screw WN 1452 KA25 x 10
29	4711232	Solution tank holder set

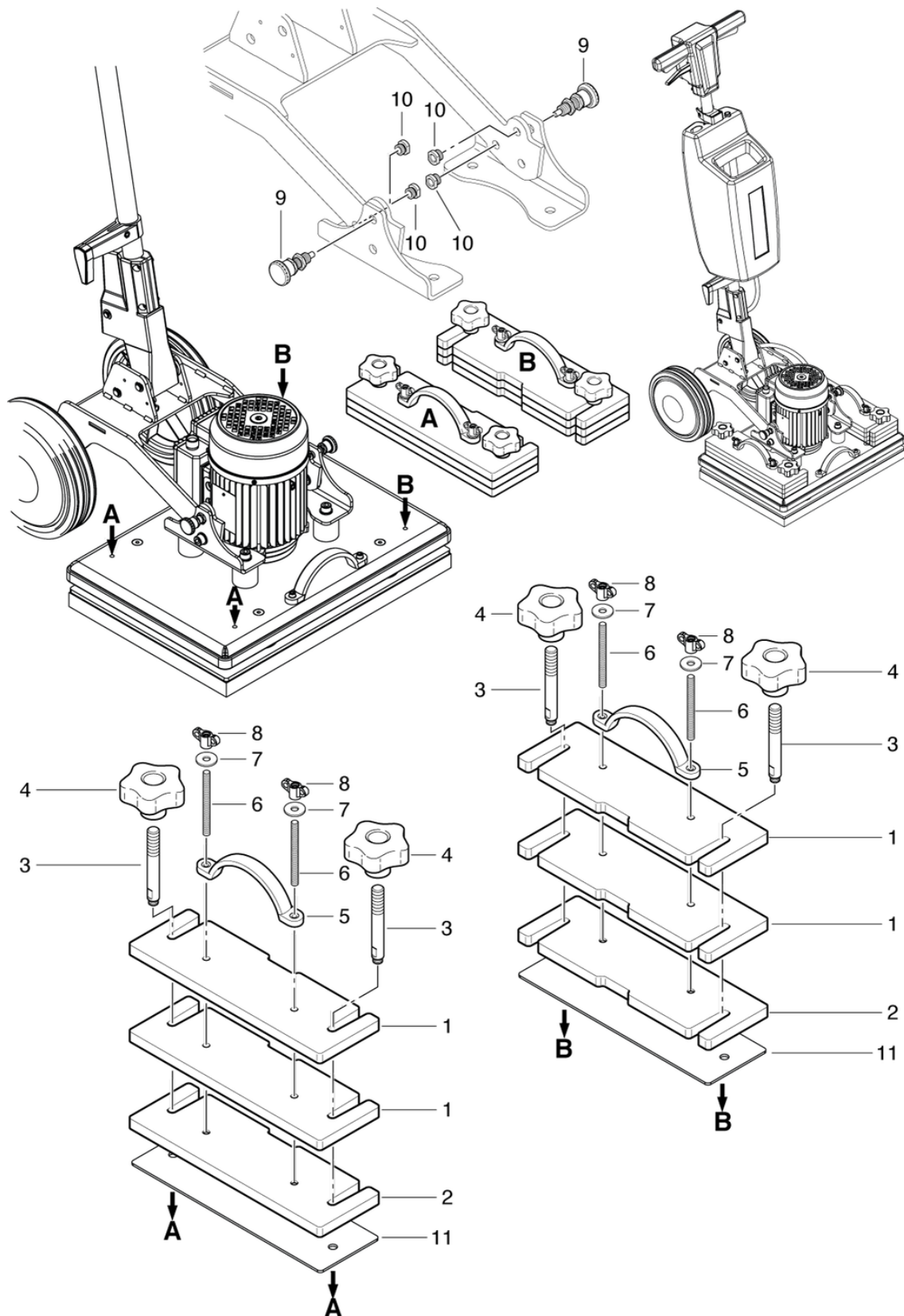
E50x35 Excenter

Accessories - additional weights, kit detent pins

PDF created on: 10.11.2023 19:59



E50x35 Excenter



Pos.	Item no.	Spare part
1	750.556	Weight w/o thread
2	750.562	Weight with thread
3	750.584	Threaded pin M10
4	P253N	
5	P173I	Bow handle
6	565.408	Thread bar
7	P497H	Washer DIN 9021 M6 6,4/18/1,6 A2
8	P253L	Wing nut Ø34 M6 through thread
9	P171E	Indexing plunger with lock nuts M12 x 1.5 x 35
10	750.569	Threaded bushing
11	750.604	Plastic base square

E50x35 Excenter

Wiring diagram

PDF created on: 10.11.2023 19:59



E50x35 Excenter

