

CLEANFIX Power Disc HD

Table contents

PDF created on: 10.11.2023 19:57



PowerDisc HD

Stieloberteil
Partie supérieure en avant
Top part front side
B 5 / ST 5

Stromlaufplan
Diagramme électrique
Wiring diagram
B 7 / ST 7

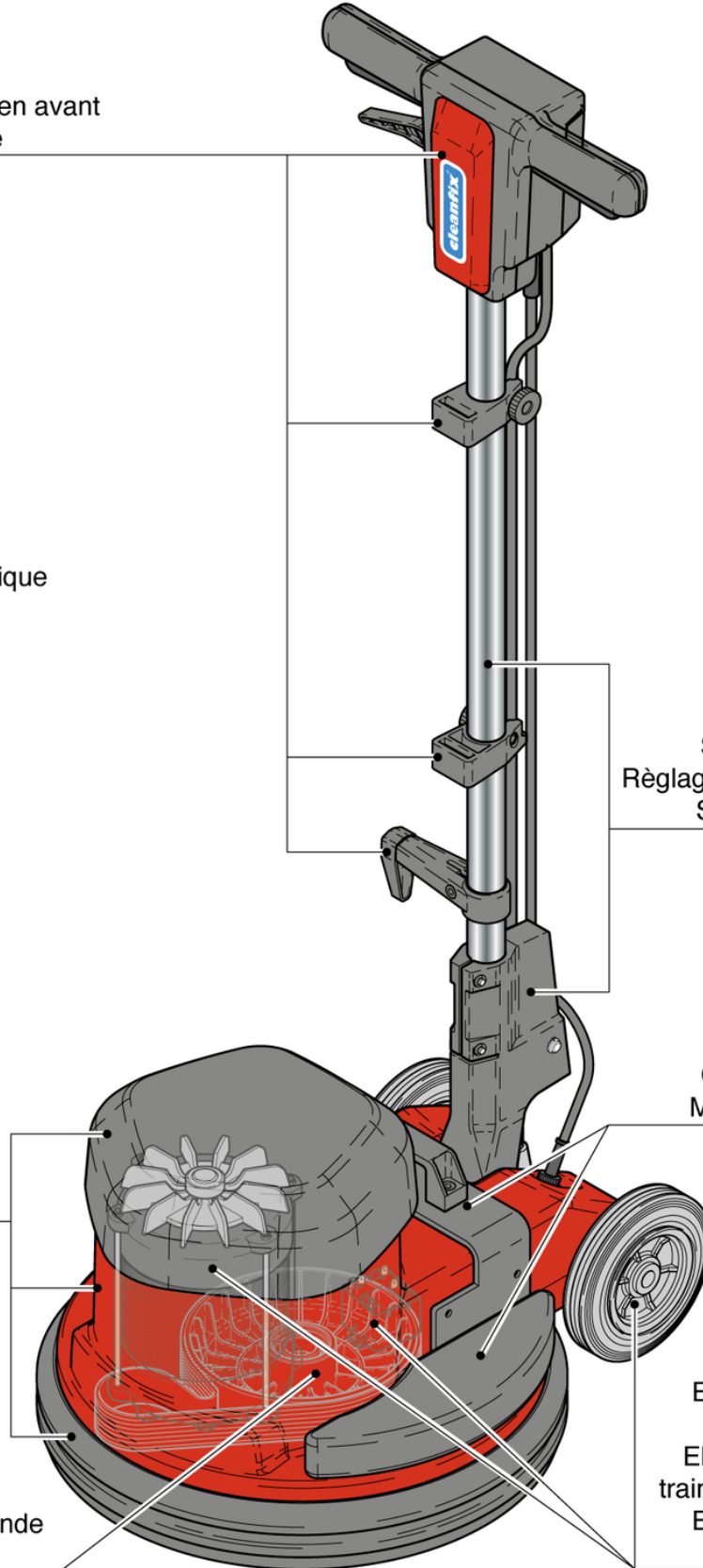
Maschinen-
abdeckung
Capot moteur
Motor Housing
B 1 / ST 1

Antriebsteile
Pieces de commande
Driving pieces
B 3 / ST 3

Stielversteller
Règlage du manche
Shaft adjuster
B 4 / ST 4

Maschinen-
abdeckung
Capot moteur
Motor Housing
B 1 / ST 1

Elektronik und
Fahrwerk
Electronique et
train de transport
Electronic and
drive axle
B 2 / ST 2



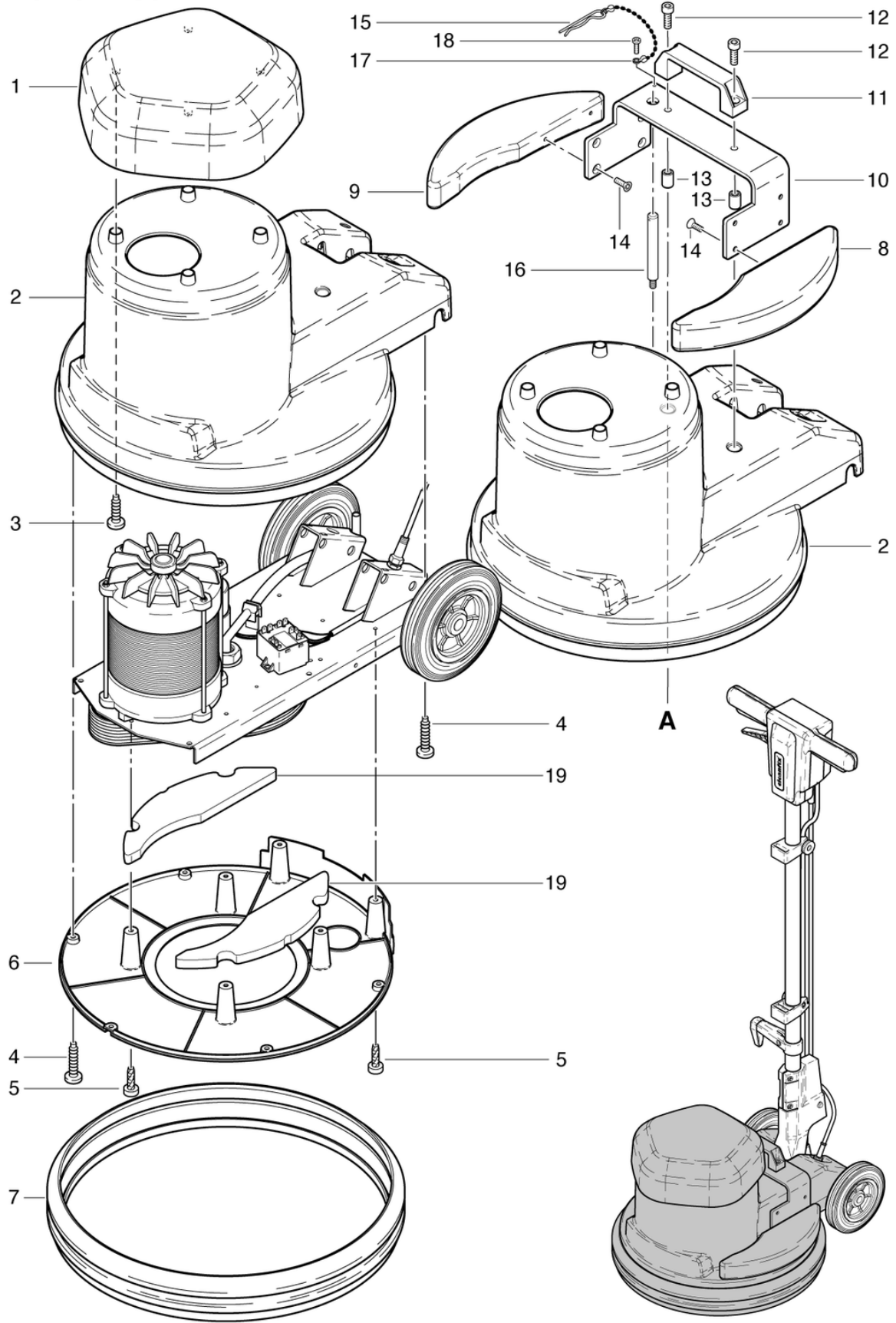
CLEANFIX Power Disc HD

Motor housing

PDF created on: 10.11.2023 19:57



PowerDisc HD



Pos.	Item no.	Spare part
1	720.067	Cap
2	720.065	Powerdisc Housing
3	P516H	Screw WN 1451 K50 x 16
4	P516Q	Screw WN 1452 K50 x 18
5	P483P	Screw BN 1023 M5 x 12
6	720.146	Bottom Plate
7	720.054	Powerdisc Buffer Housing
8	726.430	Weight 4kg left anthracite gray
9	726.432	Weight 4kg right anthracite gray
10	726.403	Holder anthracite gray
11	P058B	Carrying handle 137 x 26 x 41
12	P487D	Screw DIN 912 M8 x 25
13	726.402	Centering pin
14	P479N	Screw DIN 7991 M6 x 14 A2
15	P511D	Spring clip BN 915 3/16/62
16	726.408	Centering Ø14 x 120
17	747.066	Chain
18	P476O	Screw ISO DIN 7380 M3 x 8 A2K
19	726.067	Inside weight 2kg

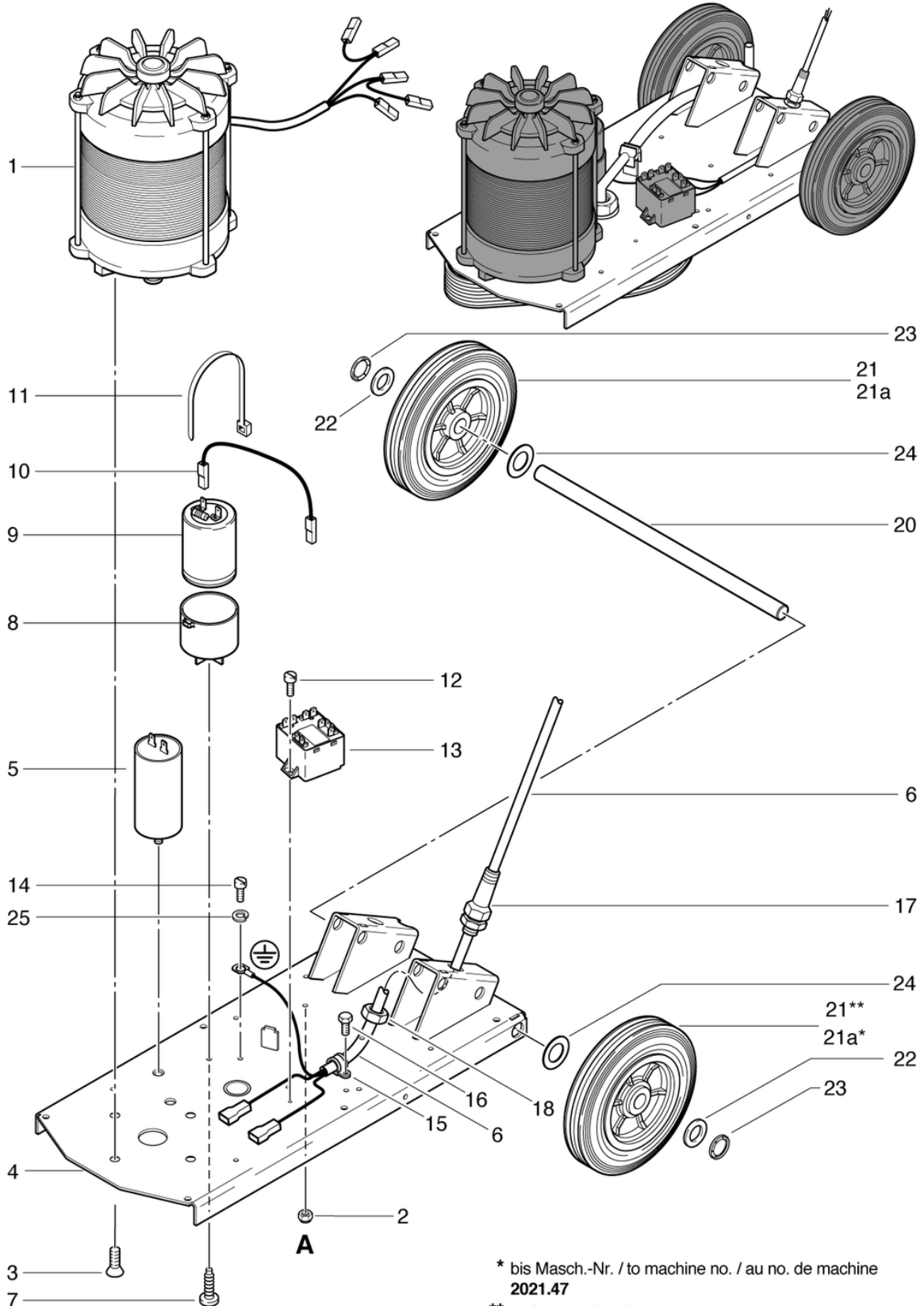
CLEANFIX Power Disc HD

Electronic and drive axle

PDF created on: 10.11.2023 19:57



PowerDisc HD



* bis Masch.-Nr. / to machine no. / au no. de machine
2021.47

** ab Masch.-Nr. / from machine no. / de no. de la machine
2021.48

Pos.	Item no.	Spare part
1	726.121	Electric motor 230V / 50Hz 1000W
2	P492H	Nut DIN 985 M8 St galvanized
3	P480Q	Screw DIN 7991 M8 x 16 A2
4	726.101	Chassis
5	720.122A	Capacitor 25uf
6	720.312	Motor wiring harness 3 x 1,5mm ² , incl. clamp
7	P516G	Screw WN 1451 K40 x 16
8	741.316	Capacitor Holder
9	742.328	Capacitor 125 uF, 320 V
10	742.331	Wiring black
11	P424A	Cable ties natural 3.7 x 368mm
12	P481Q	Screw BN 1023 M4 x 8
13	P350	Motor start relay
14	P515TA	Screw DIN 7500 M4 x 6
15	P281	Fixing clamp PVC CV-7
16	P483P	Screw BN 1023 M5 x 12
17	P279K	Cable gland PG9 with kink protection spiral
18	P279H	Lock nut PG9 brass nickel-plated
20	720.040	Wheel axle dm 320 mm
21a	741.072A	Wheel ø160 x 40mm rework
21	741.072	Wheel ø160 x 40mm
22	P510	Shim DIN 988 16/28/0,5
23	P500H	Feather ring M8
24	P510F	Shim DIN 125 A M16 17/30/3 PA6.6
25	P498A	Ring DIN 127 B M4 4,1/7,6/0,9 CuSn

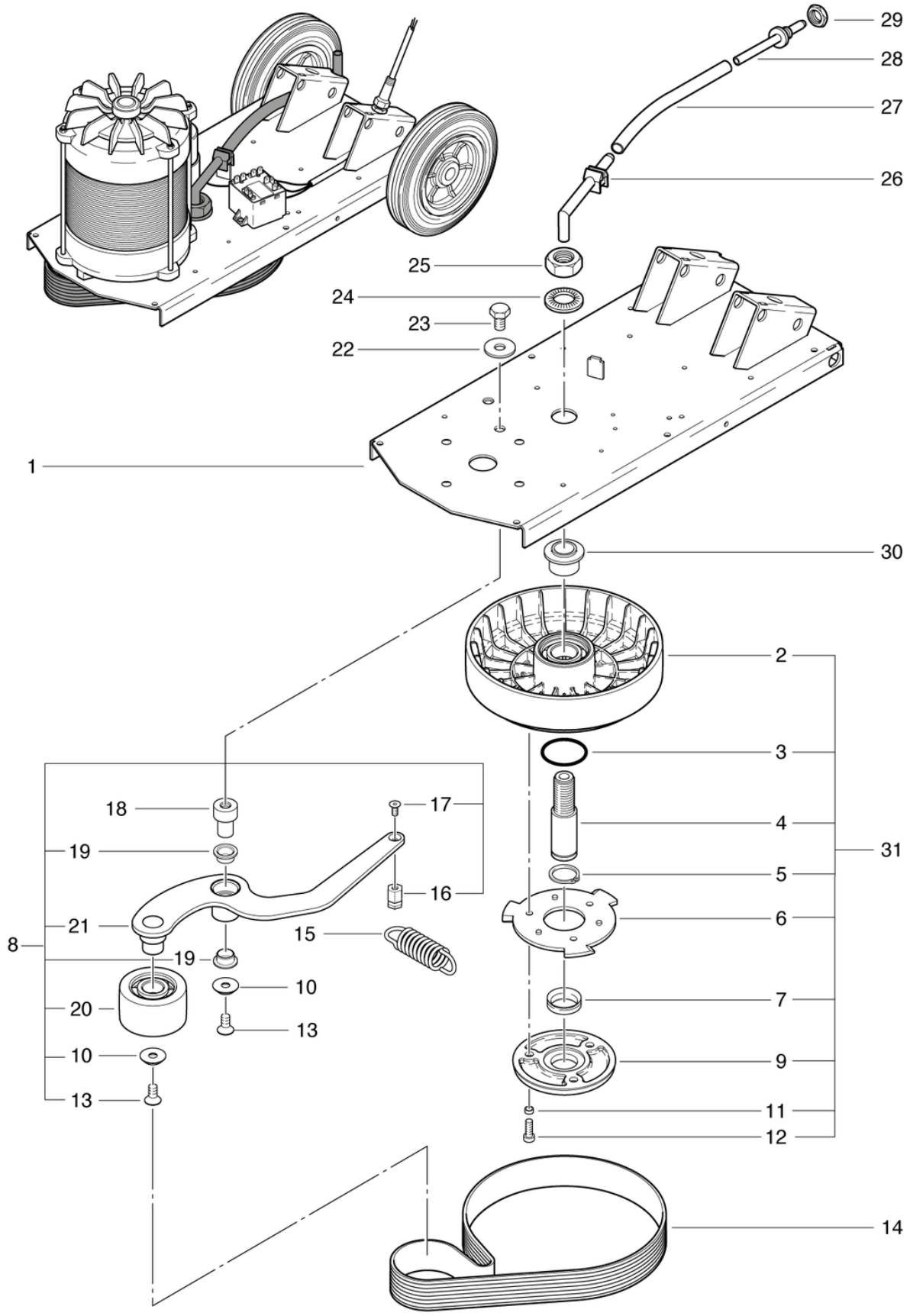
CLEANFIX Power Disc HD

Driving pieces

PDF created on: 10.11.2023 19:57



PowerDisc HD



Pos.	Item no.	Spare part
1	726.101	Chassis
2	726.130	Belt pulley CL
3	P964A	Ring DIN 3771 55,25/2,62 EPDM
4	742.125	Main Axle
5	P513D	Ring DIN 471 25/1,2
6	742.141	Pad Hub
7	P344	Shaft sealing ring 25x40x3 EPDM/V2A
8	726.300	Belt tension pulley cpl.
9	742.128	Brush Support
10	P500T	Shim SN 213912 M8 25/4,8 A2
11	742.129	Distance ring \varnothing 8 / 6 x 4
12	P487S	Screw DIN 912 M6 x 20 A2
13	P480Q	Screw DIN 7991 M8 x 16 A2
14	6390520	Poly-V-belt 15-PJ-864mm Lw
15	P511F	Tension spring Z-177LX- 3.6 / 25/38,7
16	726.303	holder
17	P487U	Screw DIN 7991 M6 x 12
18	726.102	Tensioner
19	P316X	Plain bearing PBG 151709F
20	726.301	Pulley
21	726.302	Tension Pulley
22	P496S	Washer DIN 9021 M10 10,5/30/2,5 A2
23	P472W	Screw DIN 933 M10 x 16 A2
24	P498Q	Shim NFE 25511 M20 20,5/40/4,9
25	P492R	Nut DIN 934 M20 x 1.5 A2
26	741.064	Lye pipe MD anthracite gray
27	720.123	Hose
28	720.062	Connection pipe compl.
29	6650461	Hex nut M 12x0.75
30	726.103	Bushing \varnothing 40 / 20 x 23.5
31	726.126	Belt Wheel Pre Mounts

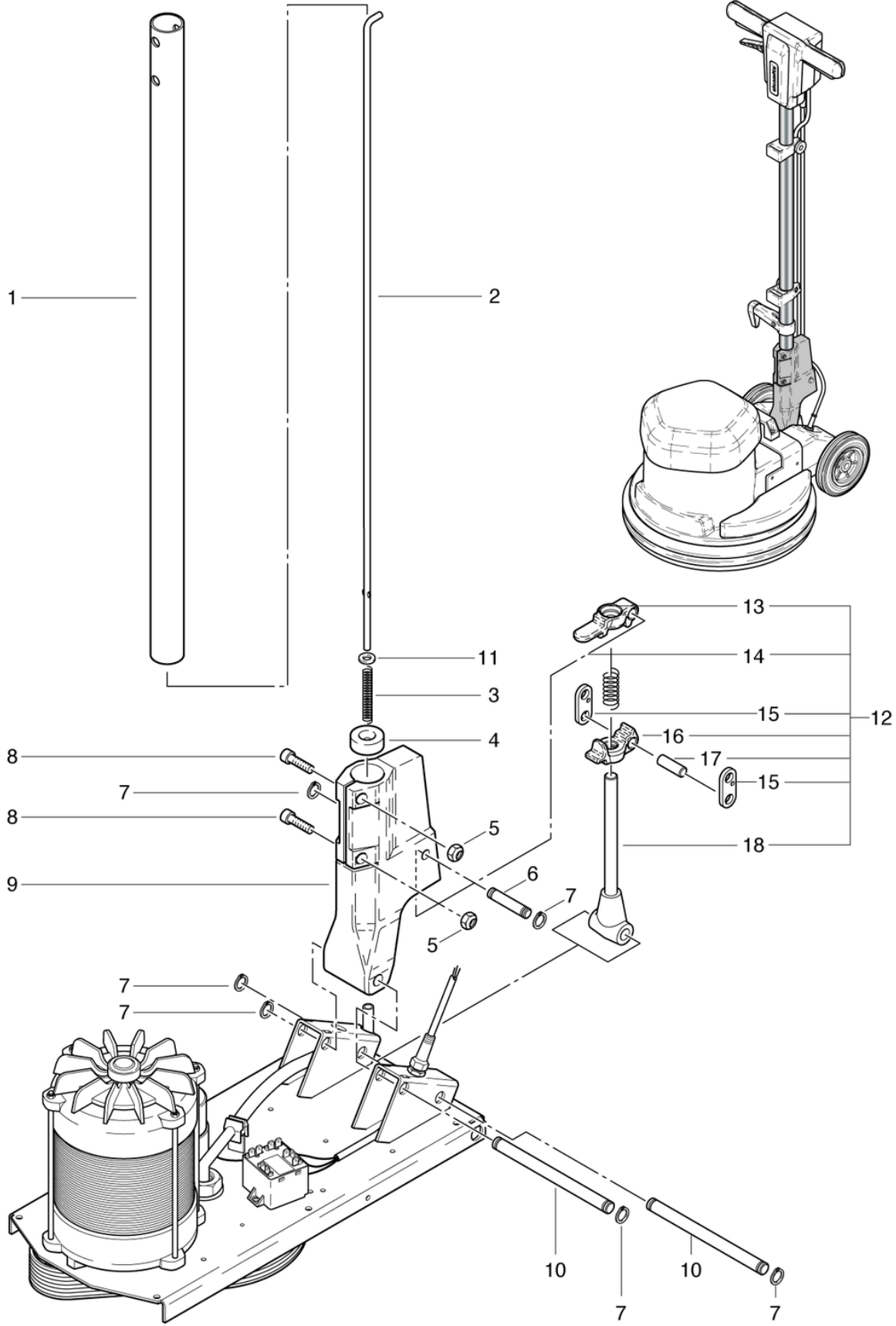
CLEANFIX Power Disc HD

Shaft adjuster

PDF created on: 10.11.2023 19:57



PowerDisc HD



Pos.	Item no.	Spare part
1	742.410L	Shaft Tube
2	742.212L	Drawbar L = 863mm
3	634711031	Compression spring 1 / 6.2 / 55
4	623711022	Guide Sleeve
5	P493K	Nut DIN 985 M6
6	672711018	Axle
7	P499Q	Shim DIN 6799 8/16,3/1
8	P486T	Screw DIN 912 M6 x 25
9	720.260	shaft adjustmenet lever
10	720.129	Rotary axis ø12 x 118
11	P496K	Shim DIN 125 A M6 6,4/12/1,6
12	2711133	Handle adjuster cpl.
13	3711236	Adjustment piece long
14	634711020	Compression spring 2 / 12,2 / 37
15	4711014	Holder
16	3711237	Adjustment piece short
17	672711019	Axle
18	741.270	Adjusting rod 177mm cpl.

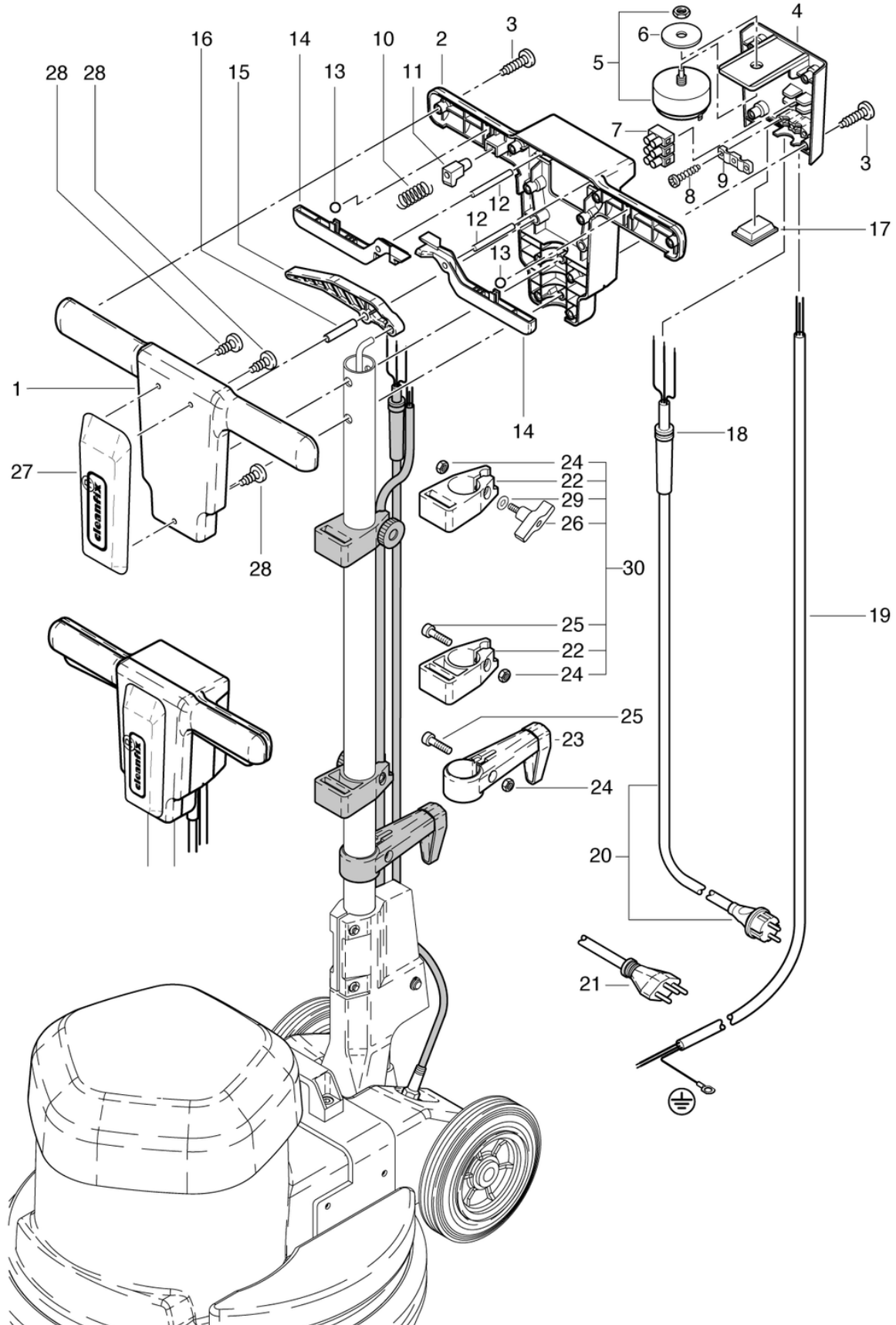
CLEANFIX Power Disc HD

Top part front side

PDF created on: 10.11.2023 19:57



PowerDisc HD



Pos.	Item no.	Spare part
1	741.201	Front Cover Handle
2	741.202	Upper part of handle at the back anthracite gray
3	P515L	Screw WN 1452 K50 x 25 A2
4	741.310	Rear Handle Cover
5	6650454	Switch
6	P496	Shim DIN 9021 M12 13/37/3
7	P383N	Terminal block with DS, 3-pole, 6mm ²
8	P516Q	Screw WN 1452 K50 x 18
9	742.321	Cable clamp
10	742.209	Compression spring VD-090L 0.55 / 6 / 29.2
11	742.208	Button grey anthrazite
12	P512M	Pin ISO 2338 6 x 50 pc vz
13	6440641	Ball DIN 5401 8
14	741.204	Switch
15	741.207	Shaft Adj Lever
16	P512P	Pin ISO 2338 8 x 40 pc vz
17	741.216	Switch Handle
18	660011014	R53-1100 Cable Sleeve
19	720.312	Motor wiring harness 3 x 1,5mm ² , incl. clamp
20	656711039	Mains cable VDE 3 x 1.5mm ² , 12.5m gray
21	65671103901	Mains cable SEV 3 x 1.5mm ² , 12.5m
22	4711231	Solution Tank Holder
23	3711029	Cable holder CL cpl.
24	P490D	Nut DIN 934 M6
25	P486T	Screw DIN 912 M6 x 25
26	P253X	Wing nut Ø48 M6x25
27	741.208	Screen, red
28	P516V	Screw WN 1452 KA25 x 10
29	P496K	Shim DIN 125 A M6 6,4/12/1,6
30	4711232	Solution tank holder set

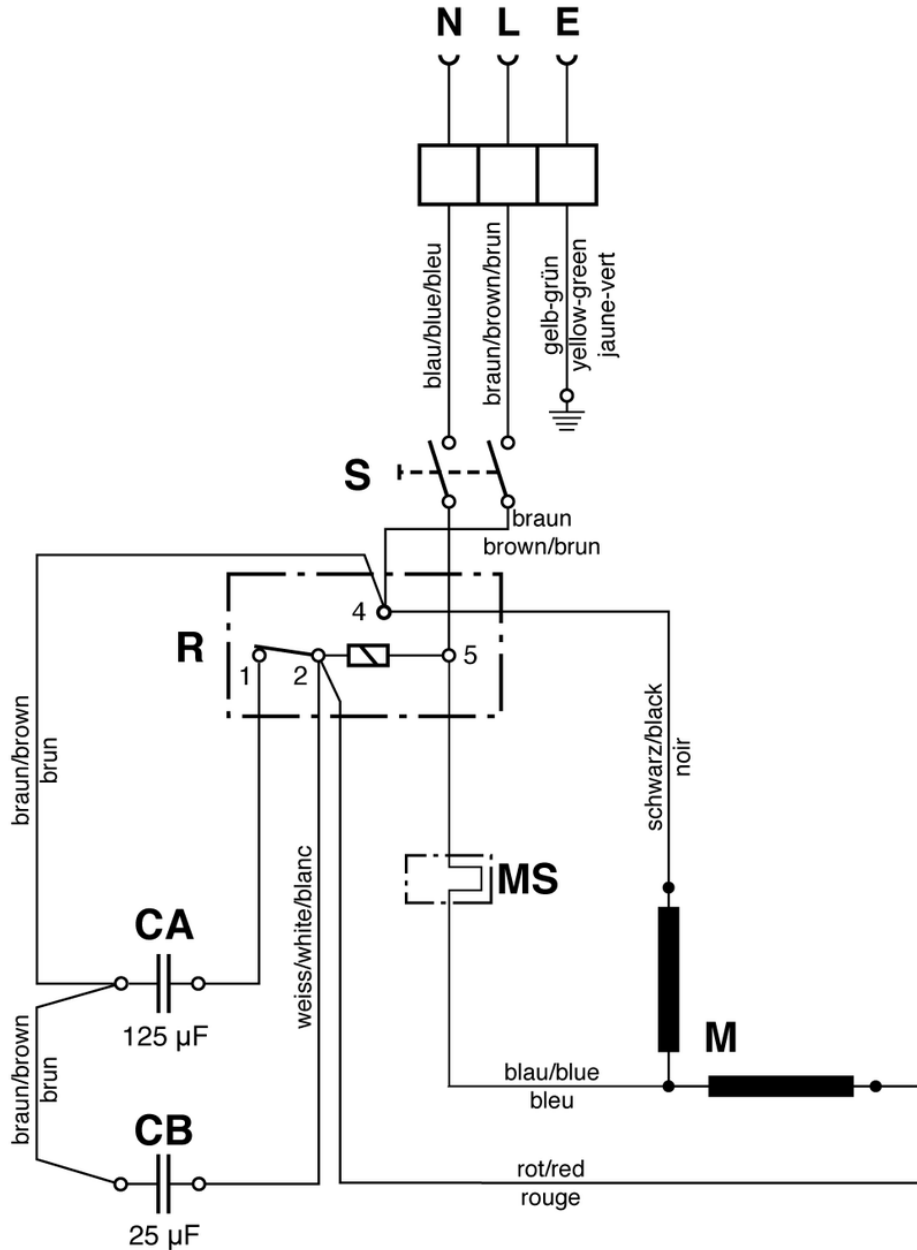
CLEANFIX Power Disc HD

Wiring diagram

PDF created on: 10.11.2023 19:57



PowerDisc HD



- S = Schalter Buerstmotor / Tumbler switch for motor / Interrupteur pour moteur
- R = Startrelais / Relais / Relais de démarrage
- CA = Anlaufkondensator 125 µF / Capacitor 125 µF / Capaciteur 125 µF
- CB = Betriebskondensator 25 µF / Capacitor 25 µF / Capaciteur 25 µF
- M = Motor / Motor / Moteur
- MS = Motorschutzschalter