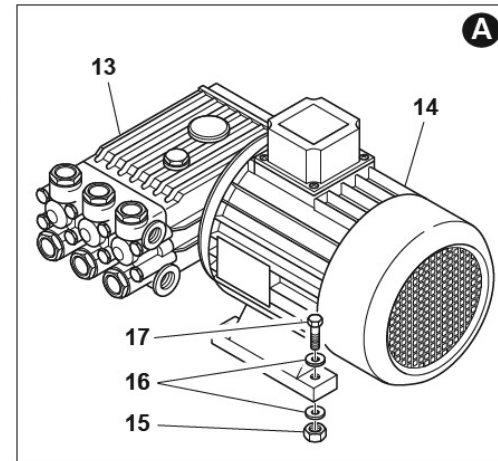
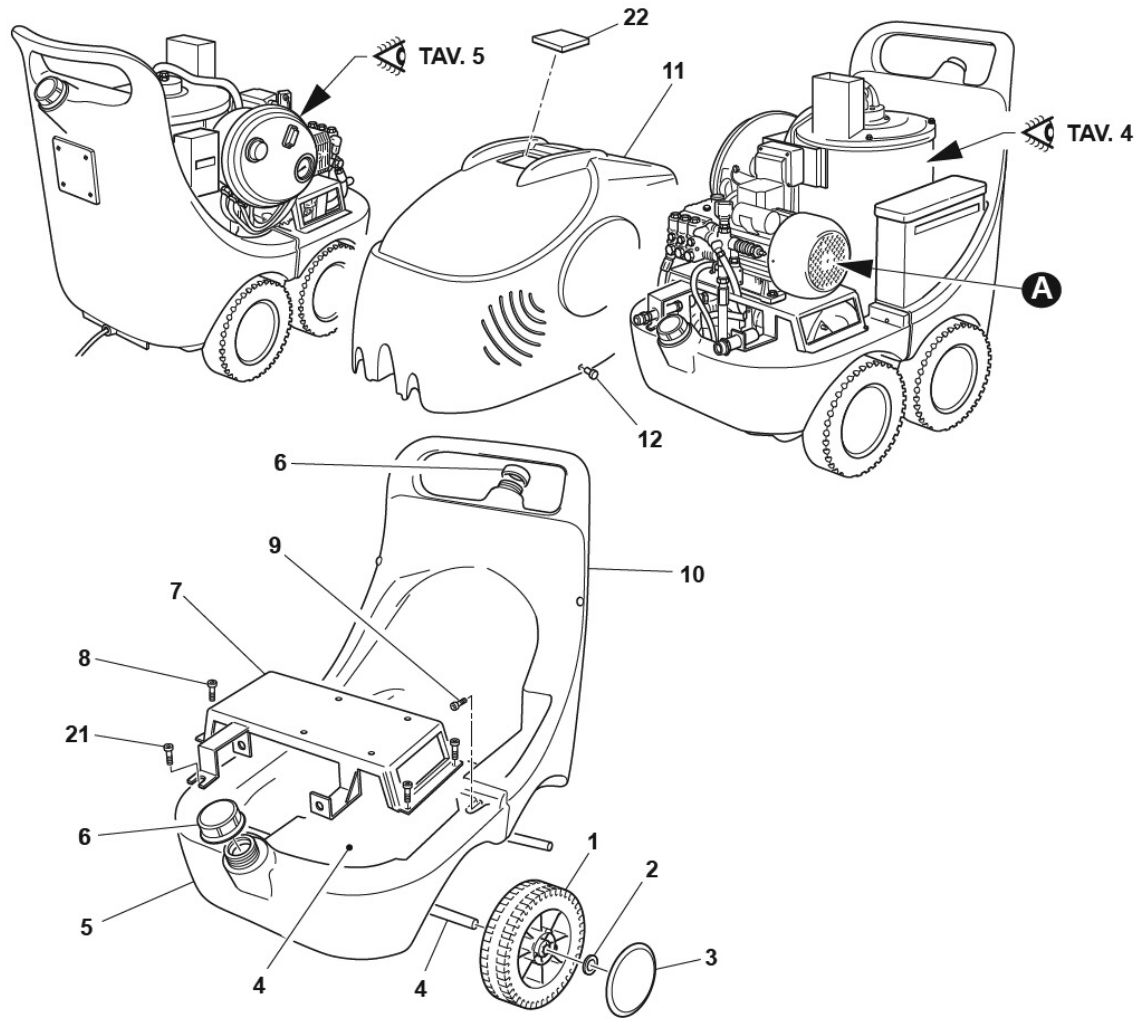




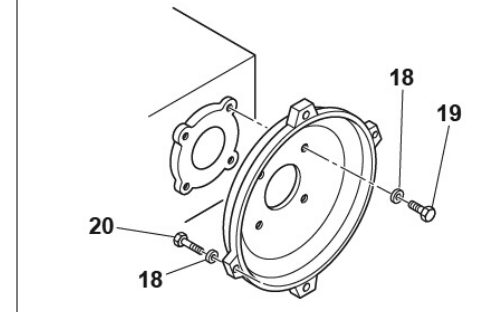
WASHMASTER RANGE  
**MAC DROP REVOLUTION**  
SPARE PARTS LIST

# MAC DROP REVOLUTION

## TAV 1 - MACHINE CHASSIS



Installazione pompa/motore  
 Motor/pump installation  
 Installation pompe/moteur  
 Motor/Pumpen-Installation  
 Instalación bomba/motor



**TAV 1 - MACHINE CHASSIS**

TAV POS.	PART NUMBER	QTY	DESCRIPTION	NOTES
1	10.000.125	4	Wheel	
2	10.000.027	4	Washer	
3	10.000.208	4	Wheel cap	Grey
4	10.000.095A	1	Base	
5	10.000.101	1	Chemical tank	
6	10.000.012	2	Tank cap	
7	10.000.095B	1	Motor support	
8	20.000.149	4	Screw M6x12	
9	20.000.300	2	Screw M6x35	
10	10.000.100	1	Fuel tank	
11	10.000.102	1	GRP cover	Grey
11	10.000.141	1	GRP cover	Blue
11	10.000.202	1	GRP cover	Red
12	20.000.042	2	Latch	
13	30.000.200	1	Pump	Annovi Reverberi RC11.17
14	60.000.006	1	Motor	3hp, 2,2kw
15	20.000.028	4	Nut M8	
16	20.000.027	8	Washer	
17	20.000.026	4	Screw M8x30	
18		6	Washer	
19	20.000.040	4	Screw M6x16	
20		4	Screw	

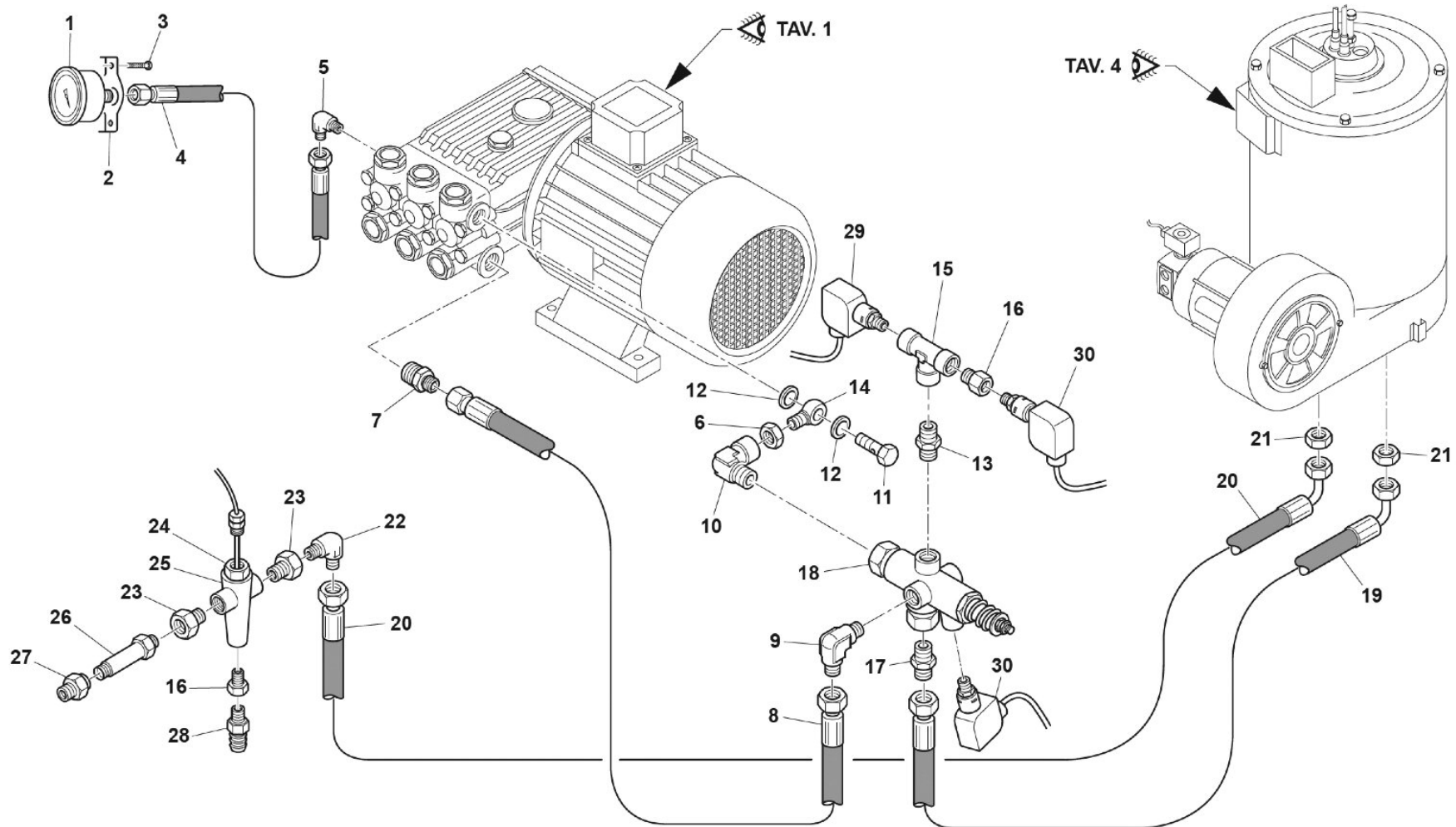
# MAC DROP REVOLUTION

## TAV 1 - MACHINE CHASSIS

TAV POS.	PART NUMBER	QTY	DESCRIPTION	NOTES
21	20.000.603	4	Self-tapping screw TC 39x13	
22	10.000.271	1	Stainless steel plate	

# MAC DROP REVOLUTION

## TAV 2 - PUMP & MOTOR ASSMEBLY



**TAV 2 - PUMP & MOTOR ASSMEBLY**

TAV POS.	PART NUMBER	QTY	DESCRIPTION	NOTES
1	40.000.009	1	Pressure gauge	50mm diameter
2	40.000.047	1	Pressure gauge holder	50mm diameter
3		1	Pressure gauge holder screw	
4	90.000.012	1	Pressure gauge hose L=360	
5	20.000.039	1	Elbow coupling 3/8" M-1/4" M	
6	20.000.112	1	Nut 3/8"	
7	20.000.055	1	Nipple 1/4"-1/2"	
8	90.000.053	1	By-pass hose 8x17x500	
9	20.000.039	1	Elbow coupling 3/8" M-1/4" M	
10	20.000.074	1	Elbow coupling 3/8" MF	
11	20.000.007	1	Bolt with hole 3/8"	
12	20.000.006	2	Washer 3/8"	
13	20.000.033	1	Nipple 3/8"-1/4"	
14	20.000.063	1	Eyelet 3/8"	
15	20.000.121	1	Union AT 3/8" FF 1/4" F	
16	20.000.058	2	Reduction 3/8" M-1/4" F	
17	20.000.010	1	Nipple 3/8"	
18	40.000.026	1	Valve	
19	90.000.095	1	H.P. hose boiler inlet	
20	90.000.094	1	H.P. hose boiler outlet	
21	20.000.022	2	Nut 3/8"	
22	20.000.011	1	Elbow 3/8" MM	

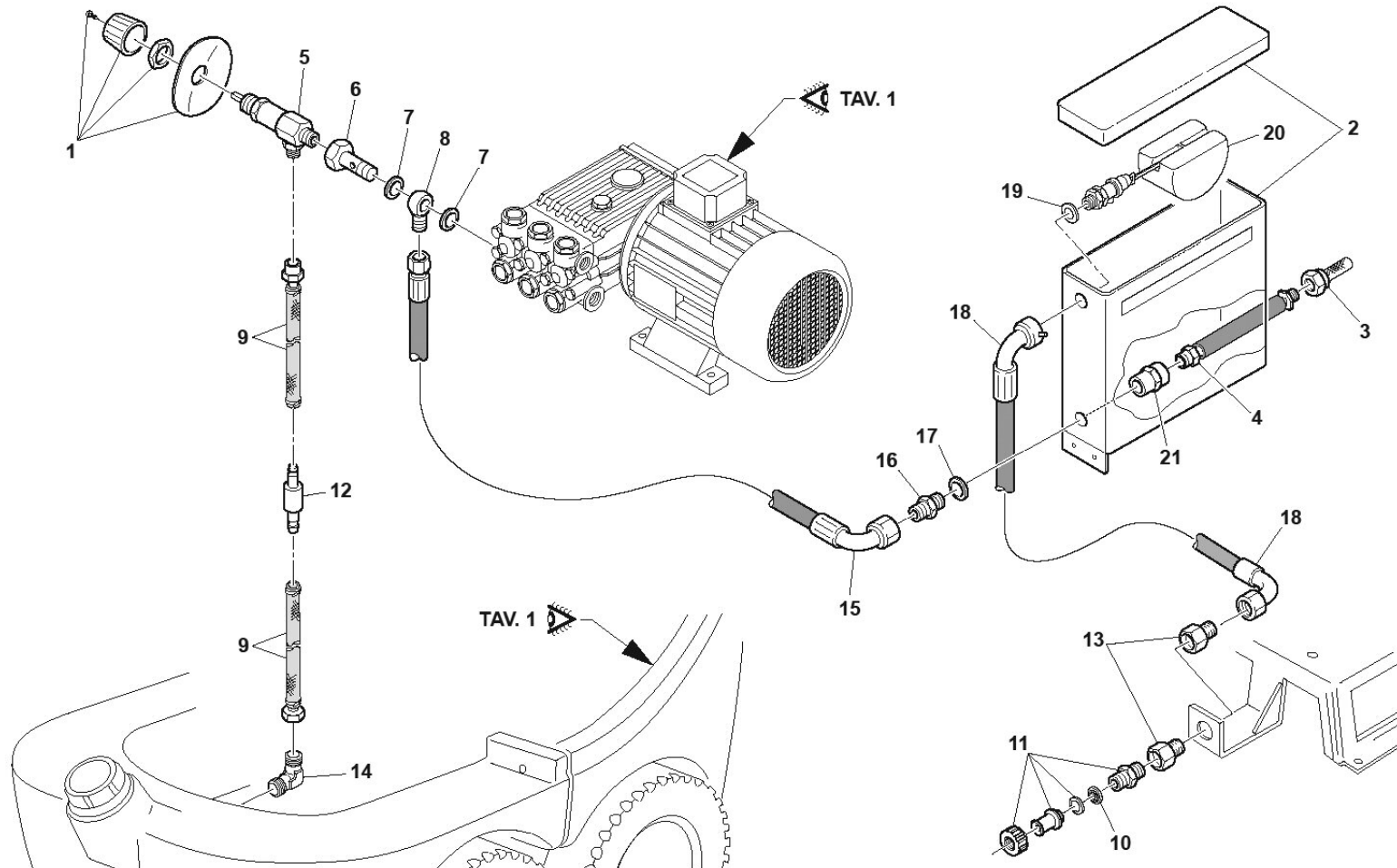
# MAC DROP REVOLUTION

## TAV 2 - PUMP & MOTOR ASSMEBLY

TAV POS.	PART NUMBER	QTY	DESCRIPTION	NOTES
23	20.000.016	2	Coupling 3/8" MF	
24	20.000.017	1	Sonde coupling	
25	40.000.011	1	Thermostat sonde holder	
26	20.000.015	1	Hose 3/8" L=100 mm	
27	90.263.131	1	Quick coupling FM 22	
28	40.000.061	1	Safety valve VS 28	
29	70.000.235.1	1	Pressure switch 25 bar 3/8"	
30	70.000.035	2	Pressure switch 40 bar 1/4"	

# MAC DROP REVOLUTION

## TAV 3 - TANK, COUPLINGS & INTERNAL PIPES



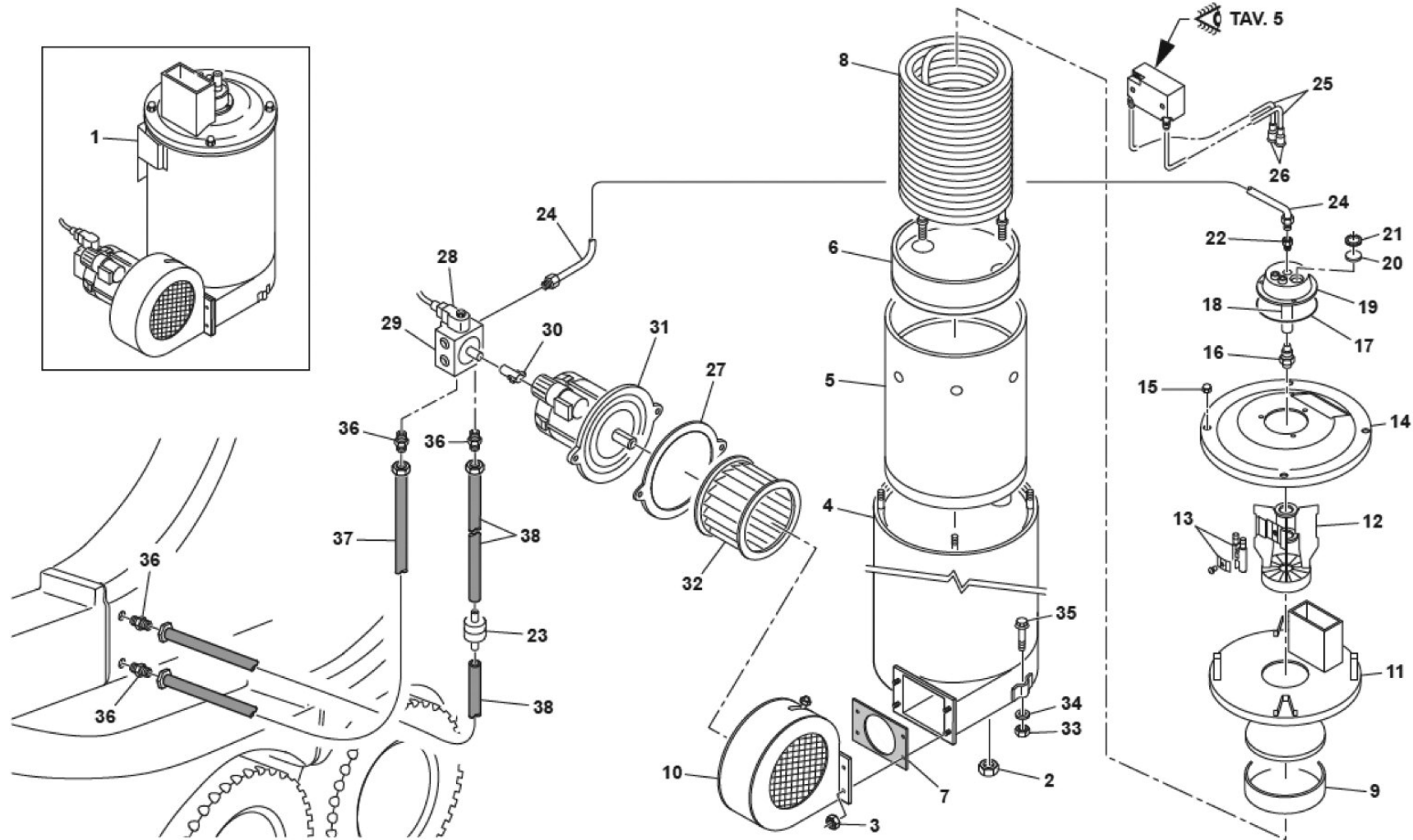


**TAV 3 - TANK, COUPLINGS & INTERNAL PIPES**

TAV POS.	PART NUMBER	QTY	DESCRIPTION	NOTES
1		1	Handgrip	
2	10.000.113	1	Stainless steel water tank	Complete with AB airgap and lid
3	40.000.233	1	Stainless steel filter	
4	90.000.103	1	Pipe	
5	40.000.007.1	1	Chemical valve	
6	20.000.052	1	Bolt with hole 1/2" + hole 1/4"	
7	20.000.003	2	Washer 1/2"	
8	20.000.064	1	Eyelet 1/2"	
9	90.000.093.1	1	Pipe	
10	40.000.012	1	Water filter	
11	20.000.000	1	Water quick coupling assy	
12	40.000.057.1	1	Valve	
13	20.000.057	2	Coupling 1/2"	
14	20.000.034	1	Elbow coupling 1/4" M	
15	90.000.096	1	Delivery pipe	
16	20.000.004	1	Nipple 1/2"	
17	20.001.003	1	Washer 1/2"	
18	90.000.104	1	Pipe	
19	40.000.111.2	1	Gasket	
20	40.000.111	1	Float valve	
21	20.000.364.2	1	Coupling 1/2" F	

# MAC DROP REVOLUTION

## TAV 4 - BOILER ASSEMBLY



**TAV 4 - BOILER ASSEMBLY**

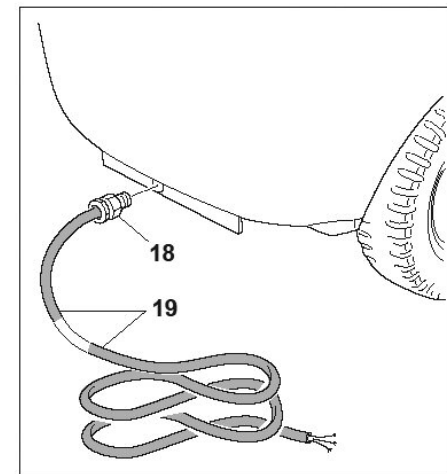
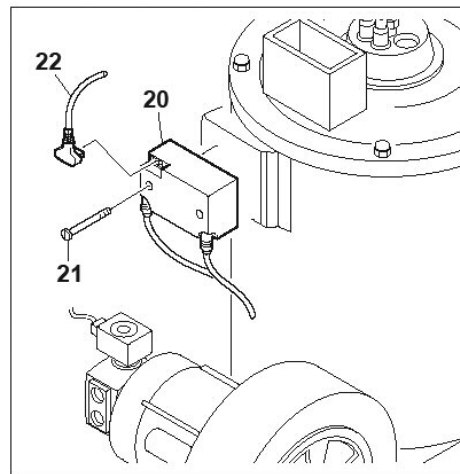
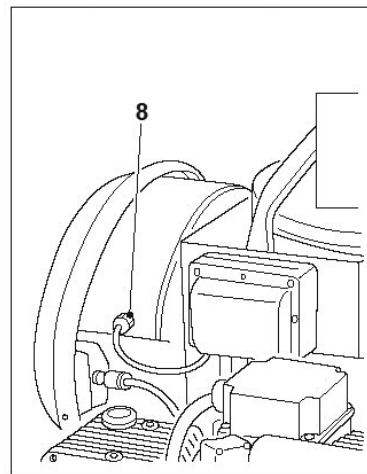
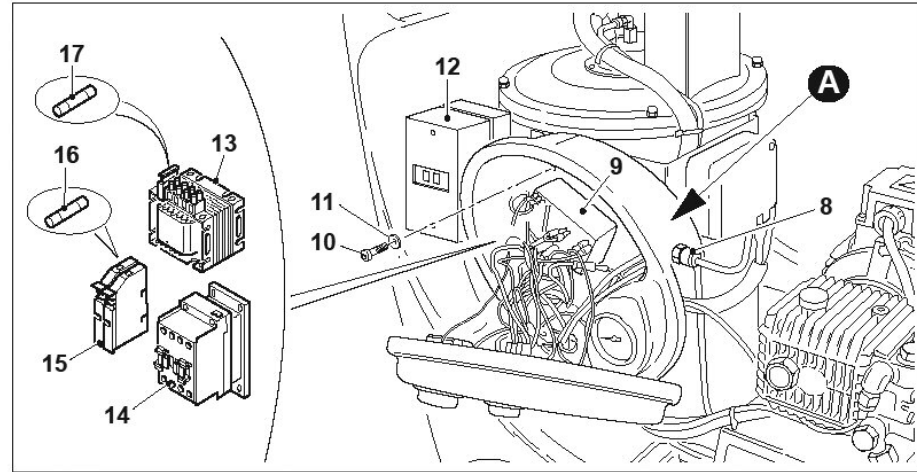
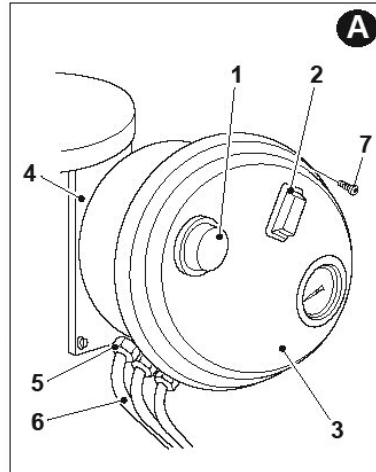
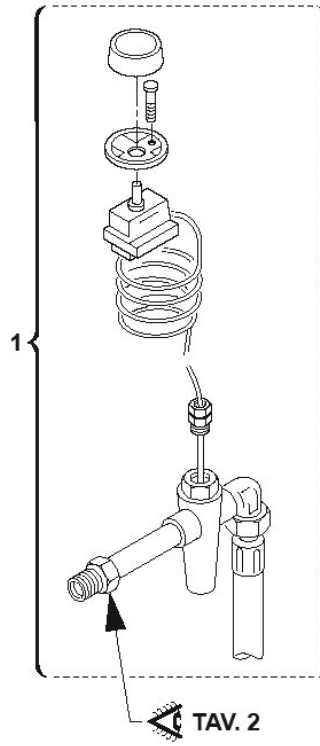
TAV POS.	PART NUMBER	QTY	DESCRIPTION	NOTES
1	50.000.501	1	Complete boiler	
2	20.000.022	2	Nut 3/8" H7 ES 22	
3	20.000.030	4	Nut M6	
4	50.000.102	1	Boiler body	
5	50.000.038	1	Boiler liner	
6	50.000.085	1	Cement refractory	
7	50.000.072.1	2	Rectangular gasket AF 1200	
8	50.000.042	1	M1 coil	
9	50.000.007	1	Ring	
10	50.000.090	1	Steel ventilation	
11	50.000.032	1	Complete cover	
12	50.000.010	1	Lens	
13	50.000.011	1	Electrodes	
14	50.000.012	1	Cover	
15	20.000.025	4	Nut	
16	50.000.213	1	Fuel nozzle	1.35 x 60°
17	50.000.015	1	Gasket	
18	50.000.014	1	Fuel nozzle holder D.18x80 N.V.	
19	50.000.016	1	Aluminium cover	
20	50.000.017	1	Flame window	
21	50.000.018	1	Internal washer D. 22	
22	20.000.024	1	Coupling 1/8" MF	

## TAV 4 - BOILER ASSEMBLY

TAV POS.	PART NUMBER	QTY	DESCRIPTION	NOTES
23	50.000.019	1	Filter	
24	90.000.048	1	Copper fuel pipe	
25	70.000.018	2	HT Lead	
26	50.000.025	2	Protection	
27	50.000.072.1	1	Gasket AF 1200-172x160	
28	50.000.024	1	Fuel solenoid valve 24v	
29	50.000.029	1	Complete fuel pump	
30	50.000.022	1	Motor/pump coupling	
31	50.000.221	1	Burner motor	
32	50.000.020	1	Burner motor fan	
33	20.000.097	3	Nut M10	
34	20.000.044	6	Washer 10x20	
35	20.000.099	3	Screw TE M10x50	
36	20.000.014	4	Nipple 1/4"	
37	90.000.092	1	Pipe	
38	90.000.091	2	Pipe	

# MAC DROP REVOLUTION

## TAV 5 - ELECTRICS



## TAV 5 - ELECTRICS

TAV POS.	PART NUMBER	QTY	DESCRIPTION	NOTES
1	70.000.047	1	Thermostat with the switch	
2	70.000.103	1	Switch 1 PH	
3	10.000.127	1	Cover 1 PH	
4	10.000.107	1	Electric box	
5	70.000.017	1	Cable ring D.19	
6	70.000.002	4	PG16 cable ring	
7	20.000.603	3	Self-tapping screw	
8	70.000.003	1	PG7 Cable ring	
9	70.000.011	1	Card	
10	20.000.342	3	Screw 6x16	
11	20.000.127	1	Washer D. 6x18	
12	70.000.008	1	Motor protector with box 10/16A	
	+ 70.000.027			
13	70.000.028	1	Transformer 20 VA 240V-0-24	
14	70.000.209	1	Contacteur BF 18 AMP.	
15	70.000.058	2	Fusibles holder 5x20	
16	70.000.060	2	Fuse 5x20 3,15 AMP.	
17	70.000.260	1	Fuse 5x20 1 AMP.	
18	70.000.001	1	Cable ring	
19	70.000.020	1	Electric cable mt.5	
20	70.000.163	1	H.T. transformer	
21	20.000.048	2	Screw M4x40	

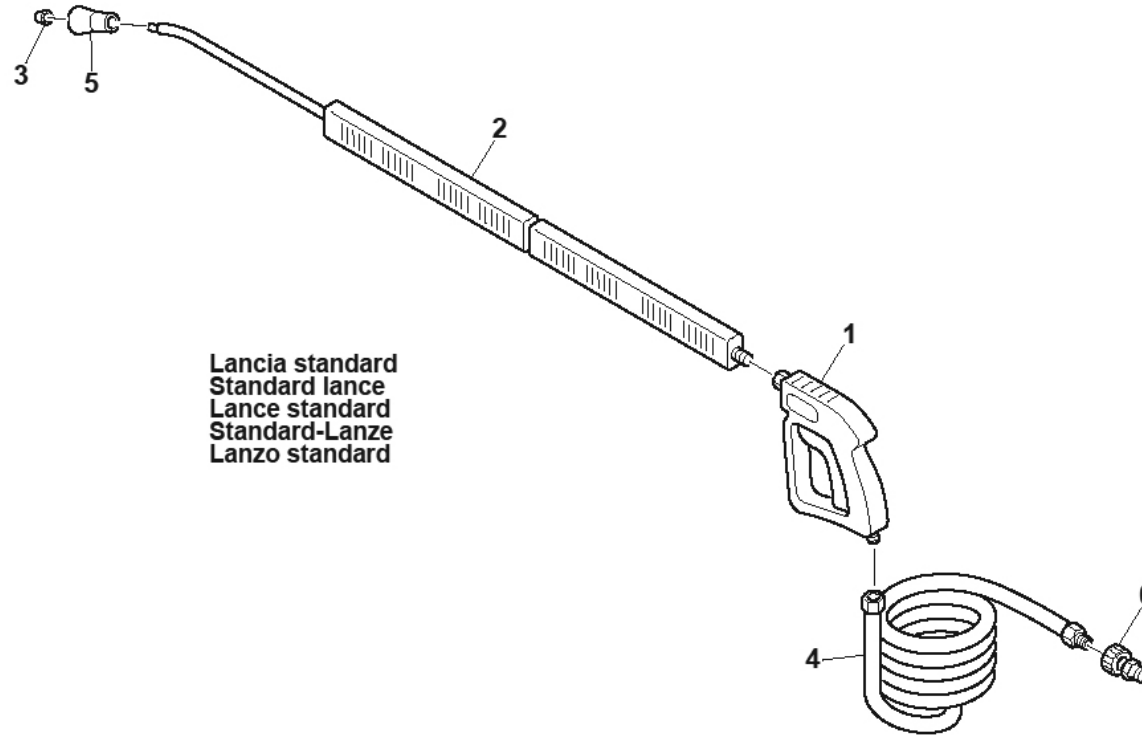
# MAC DROP REVOLUTION

## TAV 5 - ELECTRICS

TAV POS.	PART NUMBER	QTY	DESCRIPTION	NOTES
22	70.000.163.1	1	Cable for transformer	

# MAC DROP REVOLUTION

## TAV 6 - HOSE, GUN & LANCE ASSEMBLY



Lancia standard  
Standard lance  
Lance standard  
Standard-Lanze  
Lanzo standard



# MAC DROP REVOLUTION

## TAV 6 - HOSE, GUN & LANCE ASSEMBLY

TAV POS.	PART NUMBER	QTY	DESCRIPTION	NOTES
1	80.000.001	1	Gun RL 30	
2	80.000.005	1	Lance cm 90	
3	80.000.000	1	Water nozzle	
4	90.000.025	1	High pressure hose	
5	80.000.003	1	Protection	
6	90.262.550	1	Quick coupling M22	



## TAV 7 - DECALS

TAV POS.	PART NUMBER	QTY	DESCRIPTION	NOTES
1	120.000.051	2	Sticker	
2	120.000.040	1	Sticker	
3	120.000.035	1	Sticker	
4	120.000.003	1	Sticker	
5	120.000.052	1	Sticker	
6	120.000.004	1	Sticker	
7	120.000.014	1	Sticker	
8	120.000.015	1	Sticker	
9	120.000.024	1	Sticker	
10	120.000.053	1	Sticker	
11	120.000.030	1	Sticker	
12	120.000.096	2	Sticker	
13	120.000.007	1	Sticker	
14	120.000.025	1	Sticker	
15	120.000.018	1	Sticker	