

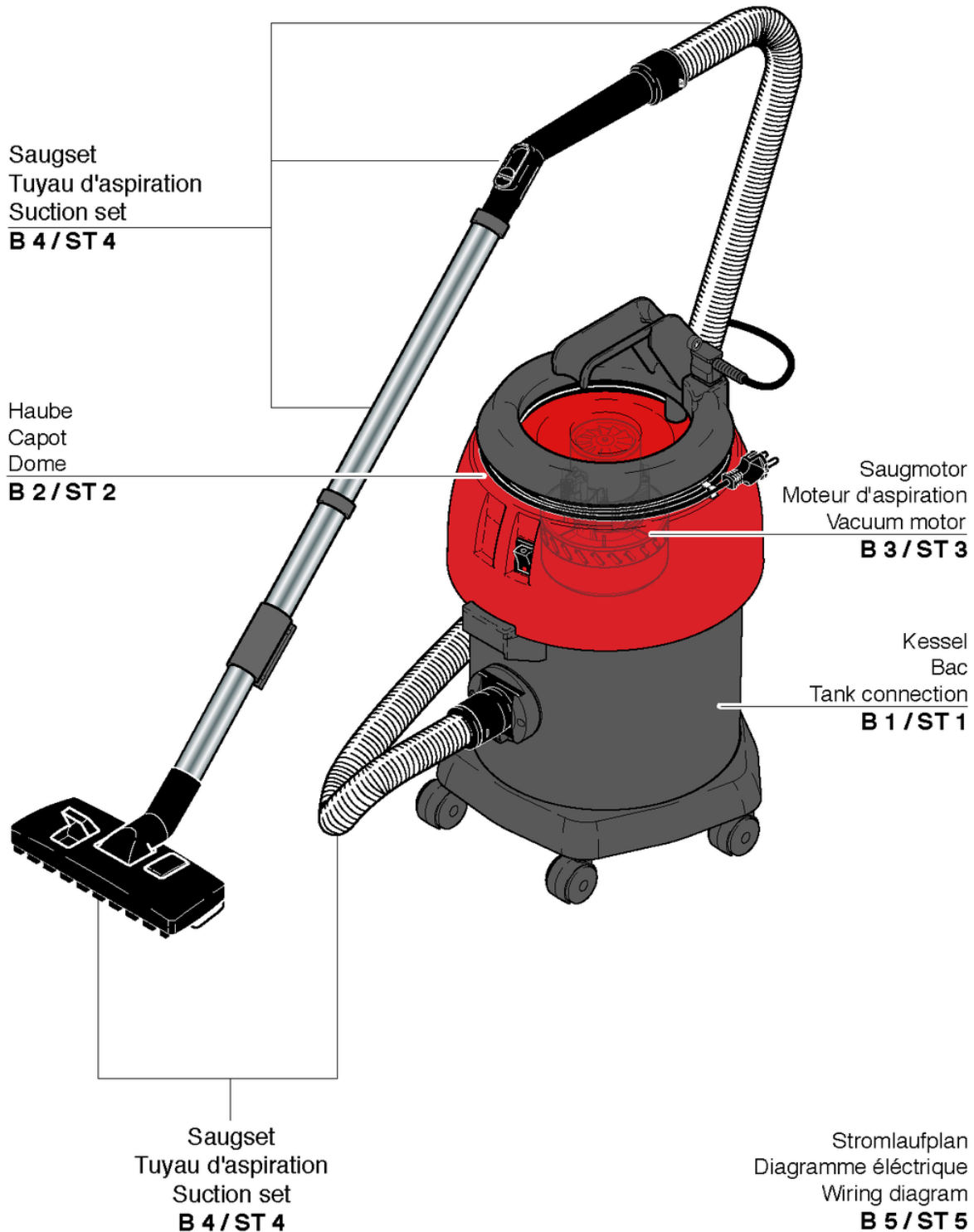
CLEANFIX S20 Plus

Contents

PDF created on: 10.11.2023 19:14



S 20 Plus



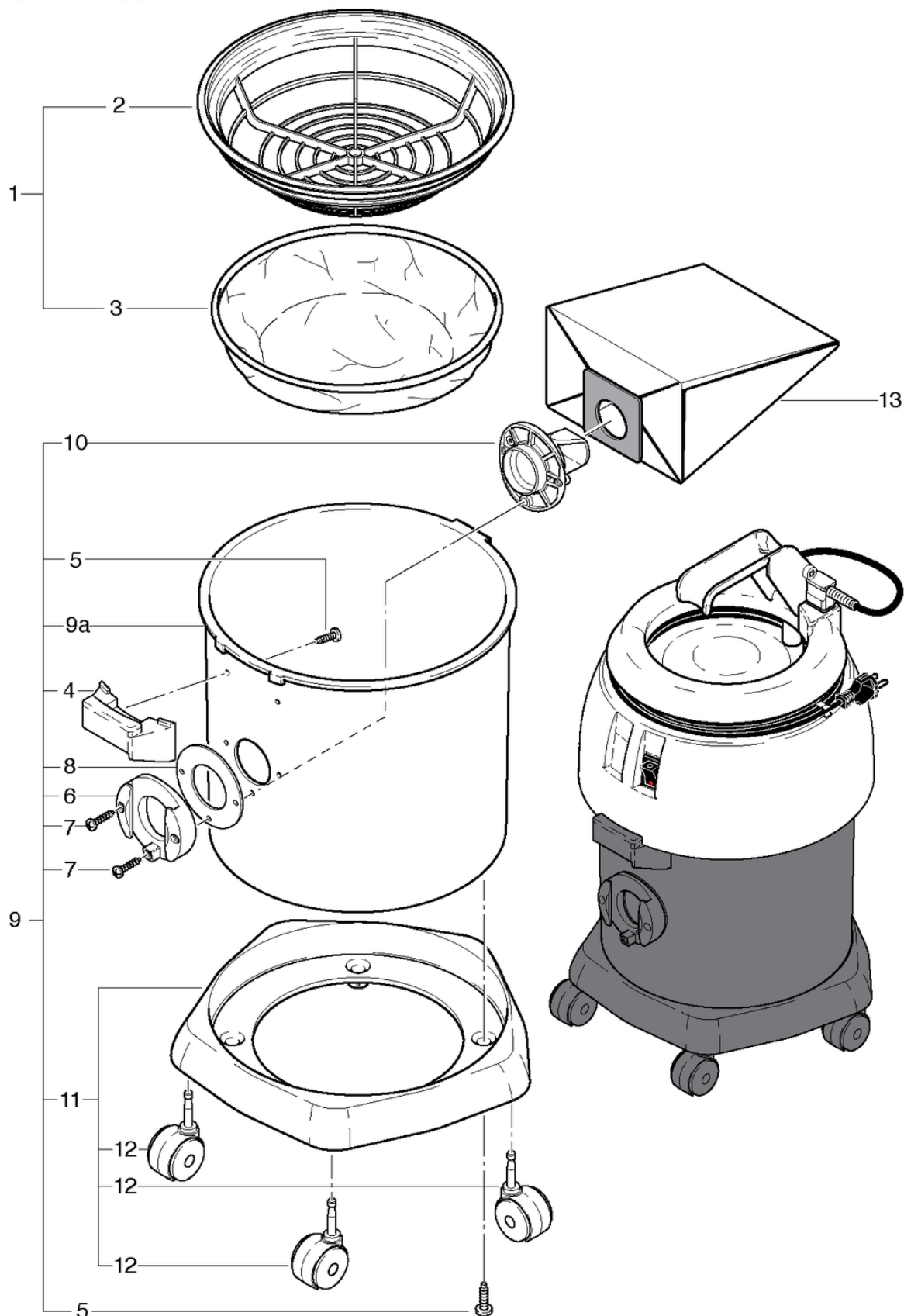
CLEANFIX S20 Plus

Tank connection

PDF created on: 10.11.2023 19:14



S 20 Plus



Pos.	Item no.	Spare part
1	20122519	Dustbag basket with filter cpl.
2	4012186	Filter Cartridge
3	020.320	Filter cloth
4	012.117	Anthracite gray handle
5	P516H	Screw WN 1451 K50 x 16
6	4012234	Anthracite gray tub connection
7	P515E	Screw WN 1452 K50 x 30
8	649012512	Seal
9a	020.125	SW20 Base
9	020.100	Tank SW20 anthracite gre<
10	014.106	Deflectors SW21 anthracite gray
11	020.128	Trolley SW20 anthracite gray cpl. incl. 5 bikes
12	P204F	Castor ø50mm
13	020.420	Dustbags

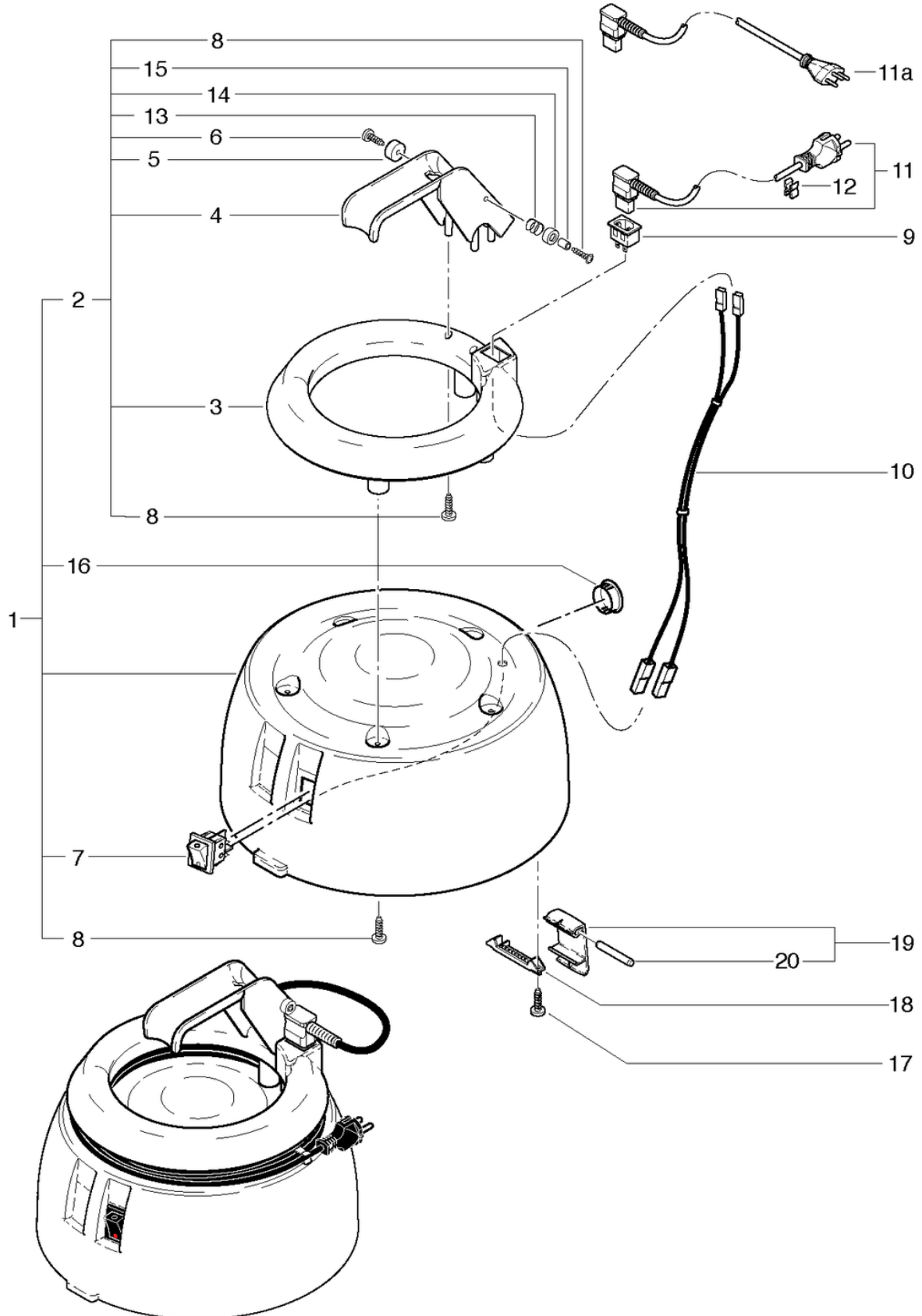
CLEANFIX S20 Plus

Dome

PDF created on: 10.11.2023 19:14



S 20 Plus



Pos.	Item no.	Spare part
1	021.203	Cover compl. red printed
2	020.112	Handle S20SW20 Plus anthracite grey, including Items 3-6,8,13-15
3	026.113	Handle ring S20 Plus
4	012.117	Anthracite gray handle
5	012.115	Cable safety device rolls
6	P516P	Screw WN 1452 K40 x 12
7	P240	Rocker switch orange 230V
8	P516G	Screw WN 1451 K40 x 16
9	012.161	Device plug 2P. New
10	012.152	Cable connection 0.6m, black
11a	022.150A	Main cable SEV 2 x 1.00mm ² , 10m
11	022.150	Main cable VDE 2 x 1.00mm ² , 10m, black
12	P278	Cable - clips gray
13	022.163	Compression spring 0.8 / 8.8 / 10.5
14	022.162	Sleeve
15	022.161	Guide sleeve
16	P171A	Cover Ø25,5mm
17	P516C	Screw WN 1452 K40 x 16
18	022.114	Pin Hold
19	020.116	Seal lever complete
20	022.115	Pin

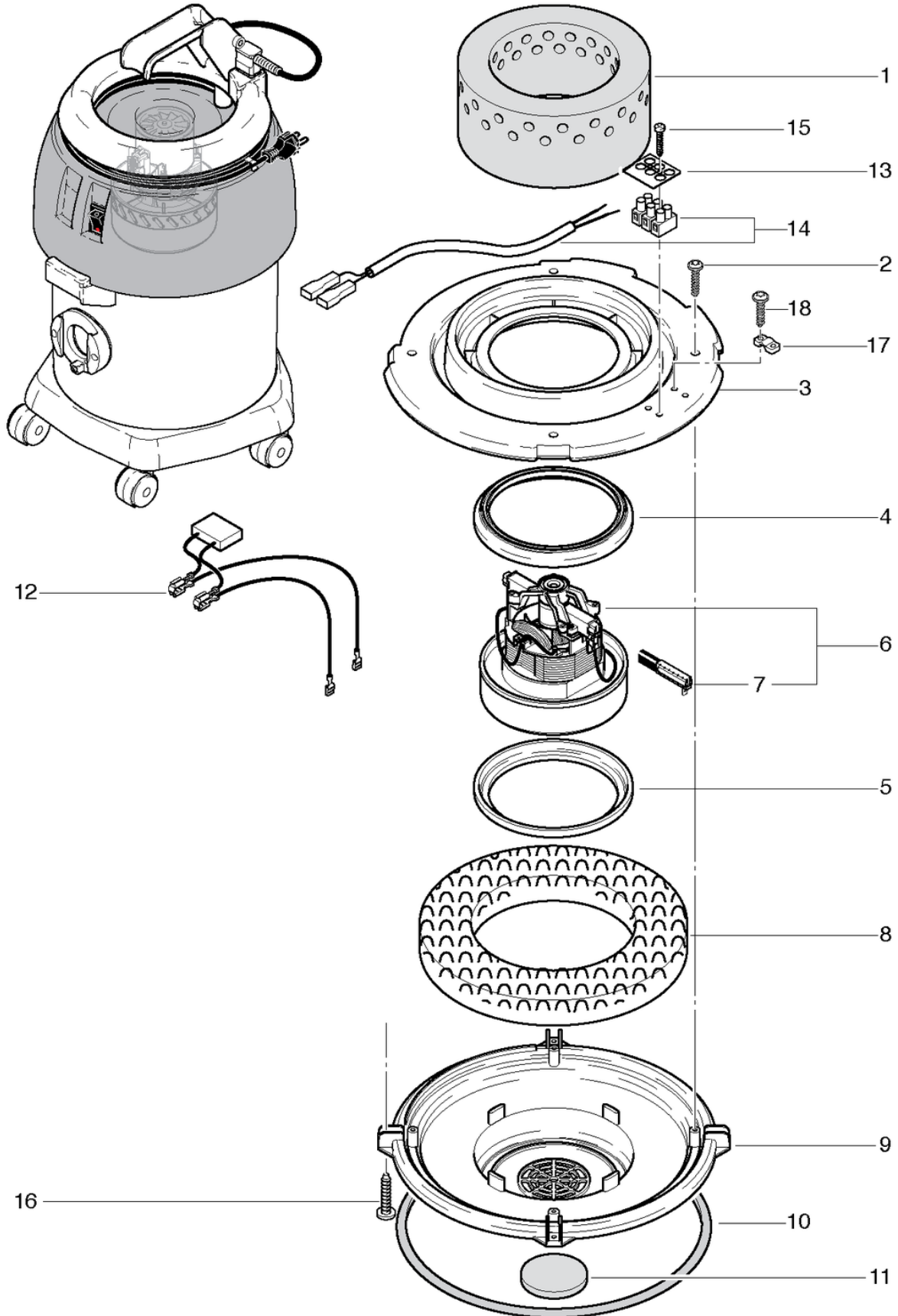
CLEANFIX S20 Plus

Vacuum motor

PDF created on: 10.11.2023 19:14



S 20 Plus



Pos.	Item no.	Spare part
1	020.208	Motor sound insulation
2	P515X	Screw WN 1452 K40 x 20
3	020.303	Holding plate
4	012.133	Seal for Motor S10/12
5	P971H	Turbine sealing
6	P8700	Suction motor 230V/50Hz, 1000W
7	P870KB	Carbon brushes (pair) OEP
8	020.309	Isolation Ring
9	020.308	Reinforcement Piece
10	020.304	Boiler seal
11	022.134	Air Filter for Motor
12	022.143	Cable harness suction engine incl. interference suppression capacitor
13	P390	Marking plate
14	020.307	Cable harness with clamp
15	P516E	Screw WN 1451 K30 x 20
16	P517A	Screw WN 1452 K40 x 35
17	4611085	Cable Clamp
18	P515Z	Screw WN 1452 K50 x 16

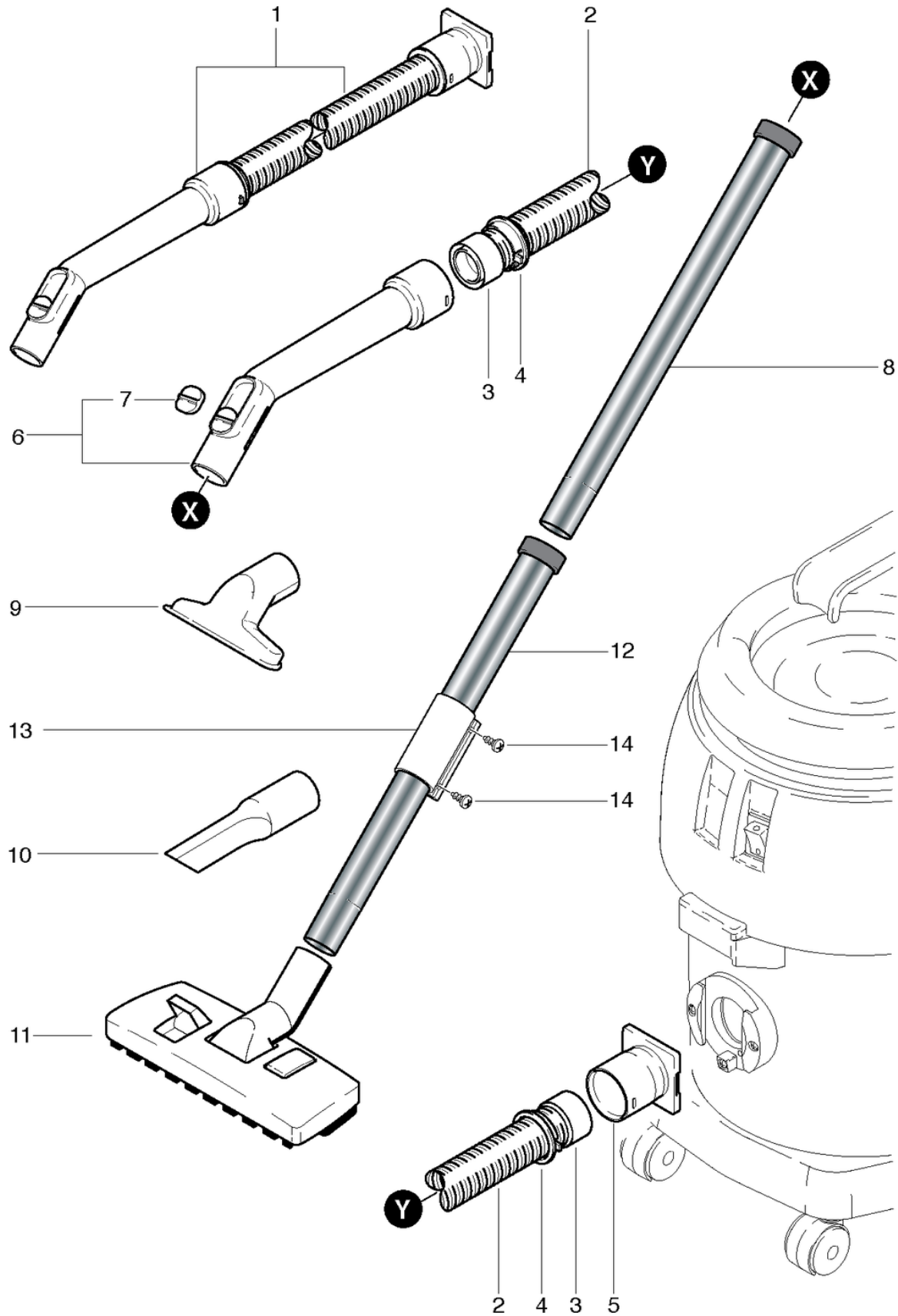
CLEANFIX S20 Plus

Suction set

PDF created on: 10.11.2023 19:14



S 20 Plus



Pos.	Item no.	Spare part
1	020.567	Suction hose 3m, with hand tube
2	P562A	Suction hose, NW32 x 3m
3	P583	Support ring for screw on \varnothing 32
4	P578	Click ring gray
5	012.570	Hose End Connector
6	900.670	Hand tube with defective air flap and slide
7	P581B	Slide
8	645.002	Metallic tube
9	645.004	Upholstery nozzle
10	645.006	Rubber crevice tool
11	645.103	Combi nozzle
12	012.410	Vacuum cleaner pipe chrome-plated with slide clamp
13	012.411	Sliding clamp
14	P515W	Screw WN 1451 K40 x 8

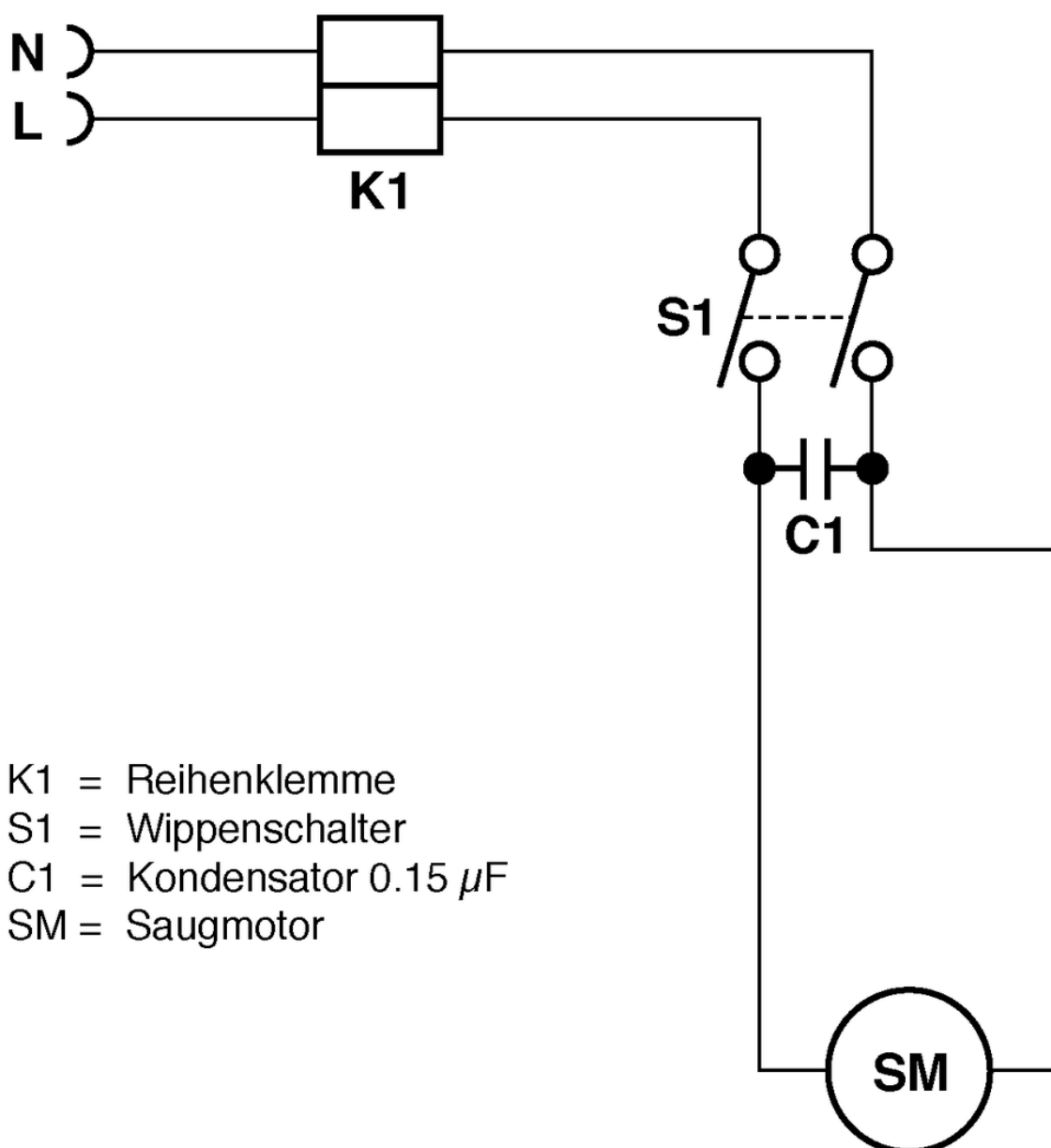
CLEANFIX S20 Plus

Wiring diagram

PDF created on: 10.11.2023 19:14



S 20 Plus



- K1 = Reihenklemme
- S1 = Wippenschalter
- C1 = Kondensator 0.15 μ F
- SM = Saugmotor