

CLEANFIX TW Compact

Contents

PDF created on: 10.11.2023 19:24



TW Compact

Haube und Frischwassertank
Capot et recipient d'eau fraîche
Tank cover and fresh water tank
B 1 / ST 1

Behälter und Chassisabdeckung
Recipient et couverture du chassis
Tank and chassis cover
B 3 / ST 3

Pumpe
Pompe
Pump
B 5a / ST 5a

Einbau Pumpe und Schläuche
Montage de la pompe et tuyaus
Pump assembling and hoses
B 5 / ST 5

Bürstkanal und Saugdüsen
Canal de brosse et suceurs
Brush housing and nozzles
B 4 / ST 4

Stossbügel
Guidon inférieure
Lower pushbar
B 8 / ST 8
B 9 / ST 9

Sauggebläse und Saugschläuche
Moteur d'aspiration et tuyaus
Suction motor and hoses
B 6 / ST 6

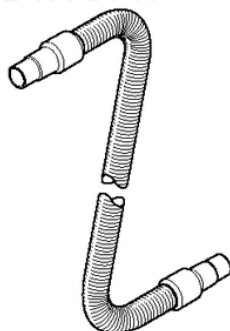
Chassis
B 2 / ST 2

Bürstenmotor und Bürstenhalter
Moteur de brosse et support de brosse
Brush motor and brush support
B 7 / ST 7
B 7-1 / ST 7

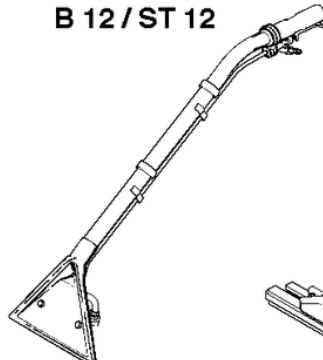
Stromlaufplan
Diagramme électrique
Wiring diagram
B 10 / ST 10

Sonderzubehör / Accessoires

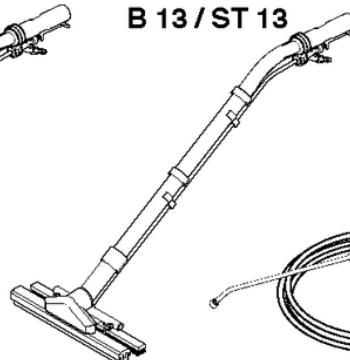
Saug-Sprühschlauch
Tuyau d'asp. et pression
Spray and suction hose
B 11 / ST 11



Teppichadapter 2 Düsen
Adapteur tapis, 2-gicleur
Carpet adaptor, 2-nozzles
B 12 / ST 12



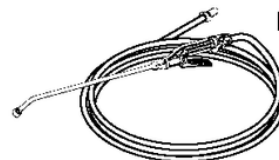
Hartbodenadapter
Adapteur pour les sols durs
Hard floor attachment
B 13 / ST 13



Polsteradapter
Adapteur pour ameublements
Upholstery tool
B 14 / ST 14



Vorsprühlanze mit Schlauch
Lance d'inject. avec tuyau
Spray nozzle with hose
B 15 / ST 15



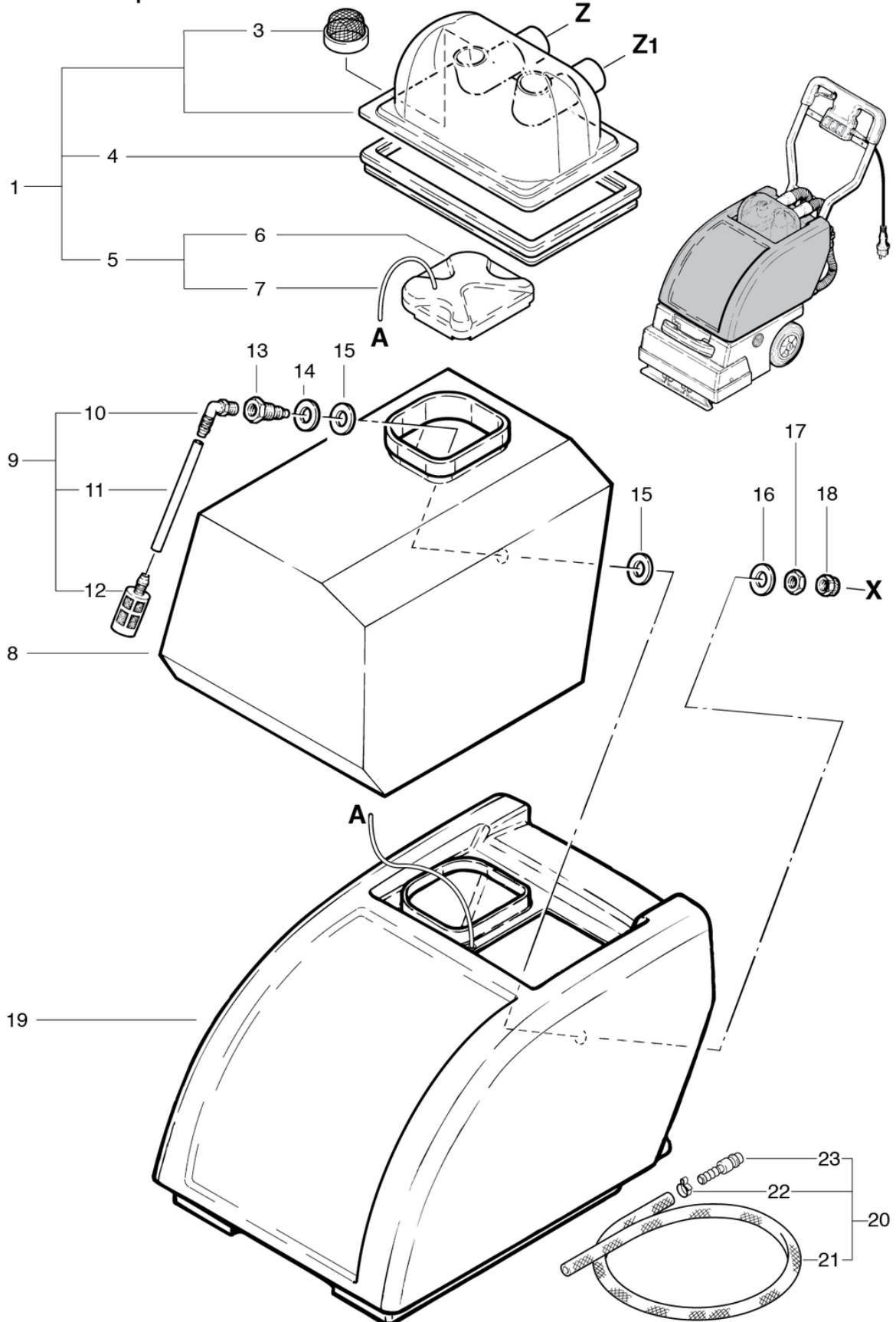
CLEANFIX TW Compact

Tank cover and fresh water tank

PDF created on: 10.11.2023 19:24



TW Compact



Pos.	Item no.	Spare part
1	400.750	Cover 2-hole smoke transparent with filter/seal
3	400.766A	Air filter cpl. rustproof black
4	420.723	RA400 Seal for Cover (Tank)
5	530.765	Clean Water Tank Cover Compl
6	530.758	Cover For Fresh Water Tank
7	490.750	Holding rope $\varnothing 3$ x 500mm
8	420.722	Fresh Water Tank Membrane
9	400.725	Suction hose cpl.
10	P541I	Elbow nipple WES 6 / R1 / 4
11	400.261B	Hose $\varnothing 8$ / 6 x 0.1m
12	P528	Fresh water filter processed
13	400.724	Fitting SW22 R3/8 Inch
14	P098	Clamping shim $\varnothing 35$ mm
15	P097B	Sealing shim $\varnothing 35/17/2$ EPDM
16	P097	Sealing shim 30/17/2 PE
17	P535B	Nut 3/8 Ms
18	P523G	Hex nut M 12x1
19	420.721	Tank TW Compact
20	411.750	Fresh water drain hose
21	P566H	PVC-soft, smooth, trans., Nylon fluted, 17bar, $\varnothing 12$ / 6
22	P550I	Hose clamp 13.3-706R
23	P501D	Plug nipple $\varnothing 12$ x 46mm

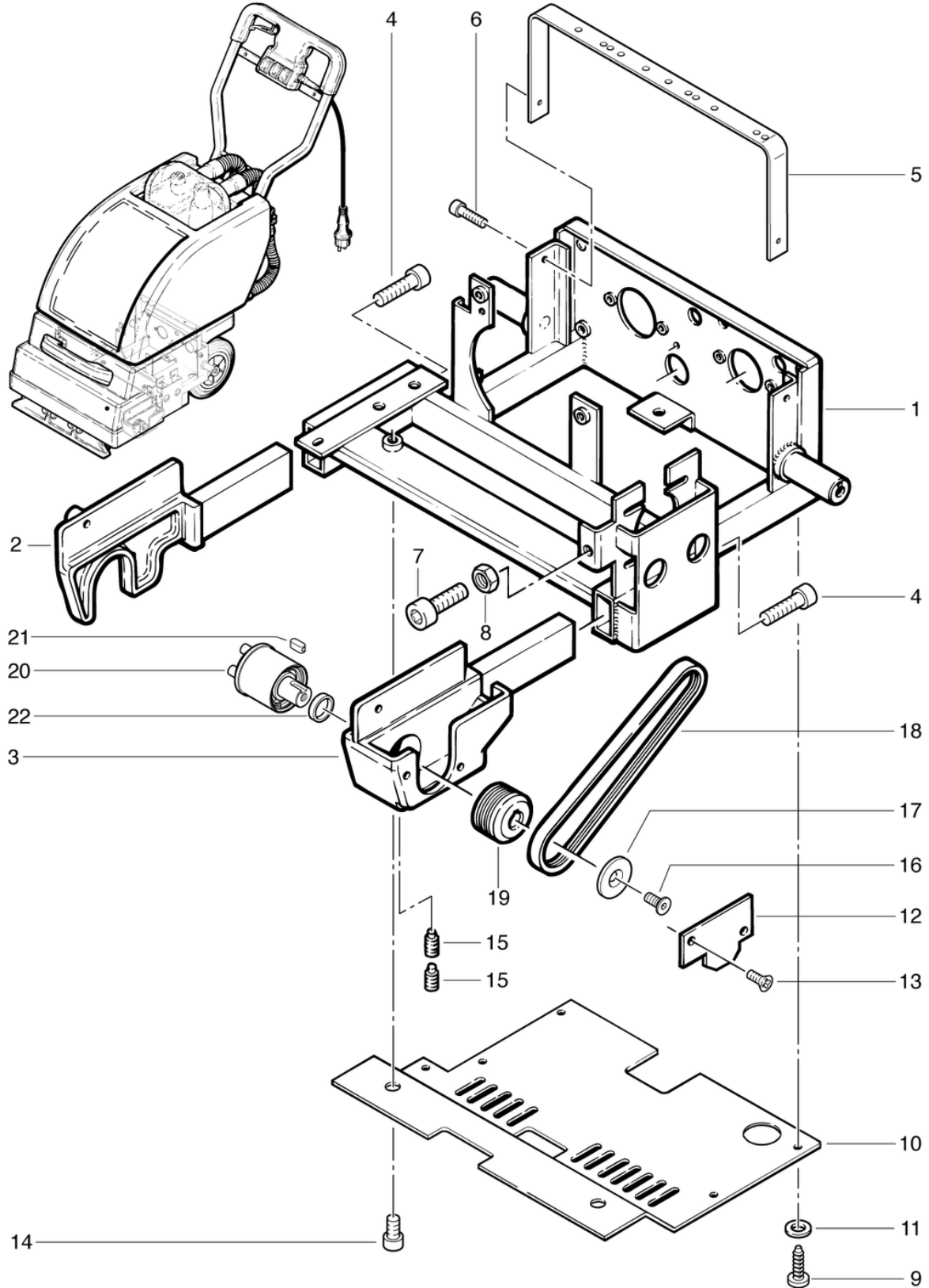
CLEANFIX TW Compact

Chassis

PDF created on: 10.11.2023 19:24



TW Compact



Pos.	Item no.	Spare part
1	400.110	Chassis
2	400.114	Right rail holder machined
3	420.112	Left Support
4	P486T	Screw DIN 912 M6 x 25
5	420.352	Frame
6	P486A	Screw DIN 912 M4 x 12
7	P487D	Screw DIN 912 M8 x 25
8	P490E	Nut DIN 934 M8
9	P483G	Screw DIN 7981 C 2,9 x 9,5
10	400.801	Bottom Plate
11	P497B	Shim DIN 9021 M3 3,2/9/0,8 A2
12	420.118	Cover
13	P480C	Screw DIN 963 M4 x 8 A2
14	P487A	Screw DIN 912 M8 x 10
15	P482Z	Pin DIN 914 M5 x 5 A2
16	P487U	Screw DIN 7991 M6 x 12
17	P499	Mounting plate 30 x 3 kpl.
18	420.425	Poly-V drive belt
19	420.401	Belt Pulley
20	400.405	Brush axle complete
21	400.420	Wedge
22	400.414	Distance Ring 18 / 15 x 4,5mm

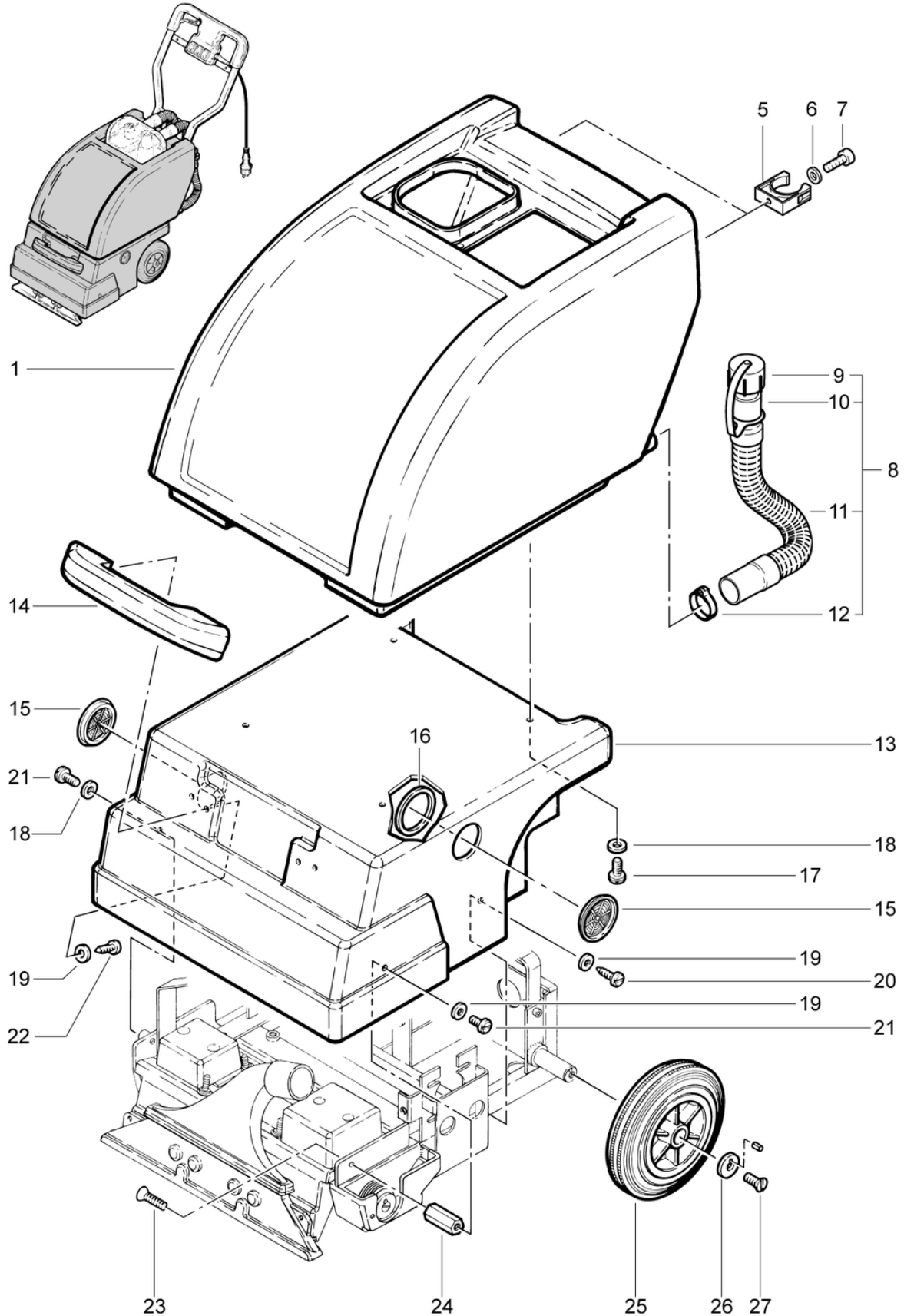
CLEANFIX TW Compact

Tank and chassis cover

PDF created on: 10.11.2023 19:24



TW Compact



Pos.	Item no.	Spare part
1	420.721	Tank TW Compact
5	P109A	Hose holder anthracite
6	P497G	Washer DIN 125 A M5 5,3/10/1 A2
7	P488B	Screw DIN 912 M5 x 12 A2
8	480.740	Discharge Hose
9	432.110	Cover for Execution
10	500.409A	Hose sleeve 45 x 25 x 80mm
11	480.741	Discharge Hose
12	P553R	Hose clamp 039.6-706R
13	420.711	Chassis Cover
14	077.560	Hopper handle anthracite grey
15	P030L	Ventilation grille round Ø 43mm black
16	400.713	Ring
17	P475T	Screw DIN 85 A M6 x 12
18	P497H	Washer DIN 9021 M6 6,4/18/1,6 A2
20	P482L	Screw DBN 1014 4,8 x 13
22	P516Q	Screw WN 1452 K50 x 18
23	P480B	Screw DIN 963 M5 x 10 A2
24	420.111	Distance Piece
25	500.250	Wheel
26	P499	Mounting plate 30 x 3 kpl.
27	P487U	Screw DIN 7991 M6 x 12

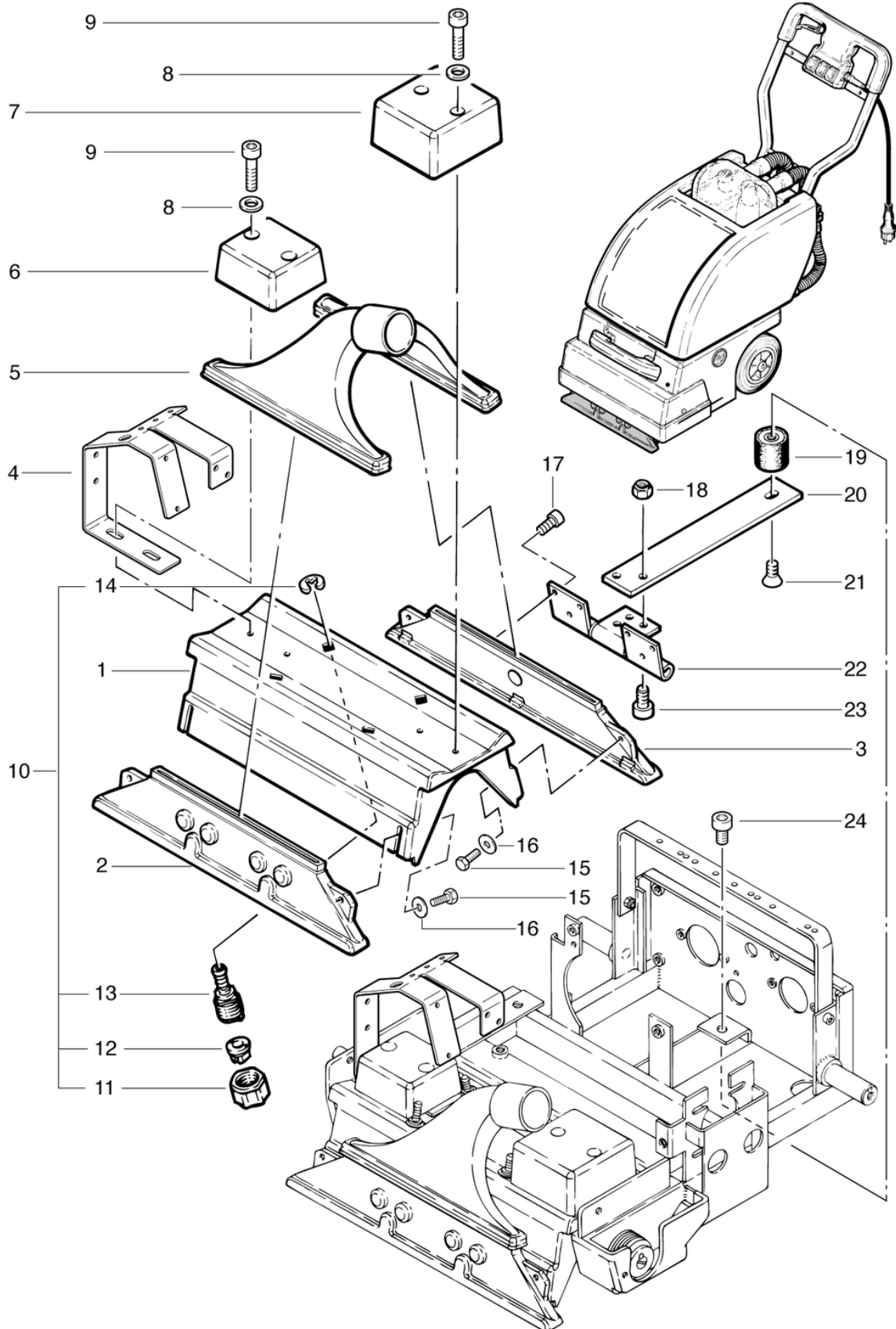
CLEANFIX TW Compact

Brush housing and nozzles

PDF created on: 10.11.2023 19:24



TW Compact



Pos.	Item no.	Spare part
1	420.510	Brush Canal
2	420.520	Suction Nozzle (Front)
3	420.530	Suction Nozzle (Back)
4	420.569	Pump Holder
5	420.560	Adaptor suction nozzle red
6	420.567	Weight Right
7	420.564	Weight Left
8	P496K	Shim DIN 125 A M6 6,4/12/1,6
9	P488S	Screw DIN 912 M6 x 30 A2
10	420.550	Spray Jet
11	P602D	Union nut 3/8
12	P627C	Flat jet nozzle
13	P602E	Nozzle holder
14	P499N	Shim DIN 6799 9/18,8/1,1 A2
15	P472F	Screw DIN 933 M5 x 12 A2
16	P497E	Shim DIN 9021 M5 5,3/15/1,2 A2
17	P488B	Screw DIN 912 M5 x 12 A2
18	P492K	Nut DIN 985 M6 A2
19	420.393	Round buffer M8 I-thread, ø30 x 30, M8 I-thread
20	420.392	Support 240 x 40 x 5mm
21	P479R	Screw DIN 7991 M8 x 12
22	420.391	Hinge cpl.
23	P488P	Screw DIN 912 M6 x 16 A2
24	P487A	Screw DIN 912 M8 x 10

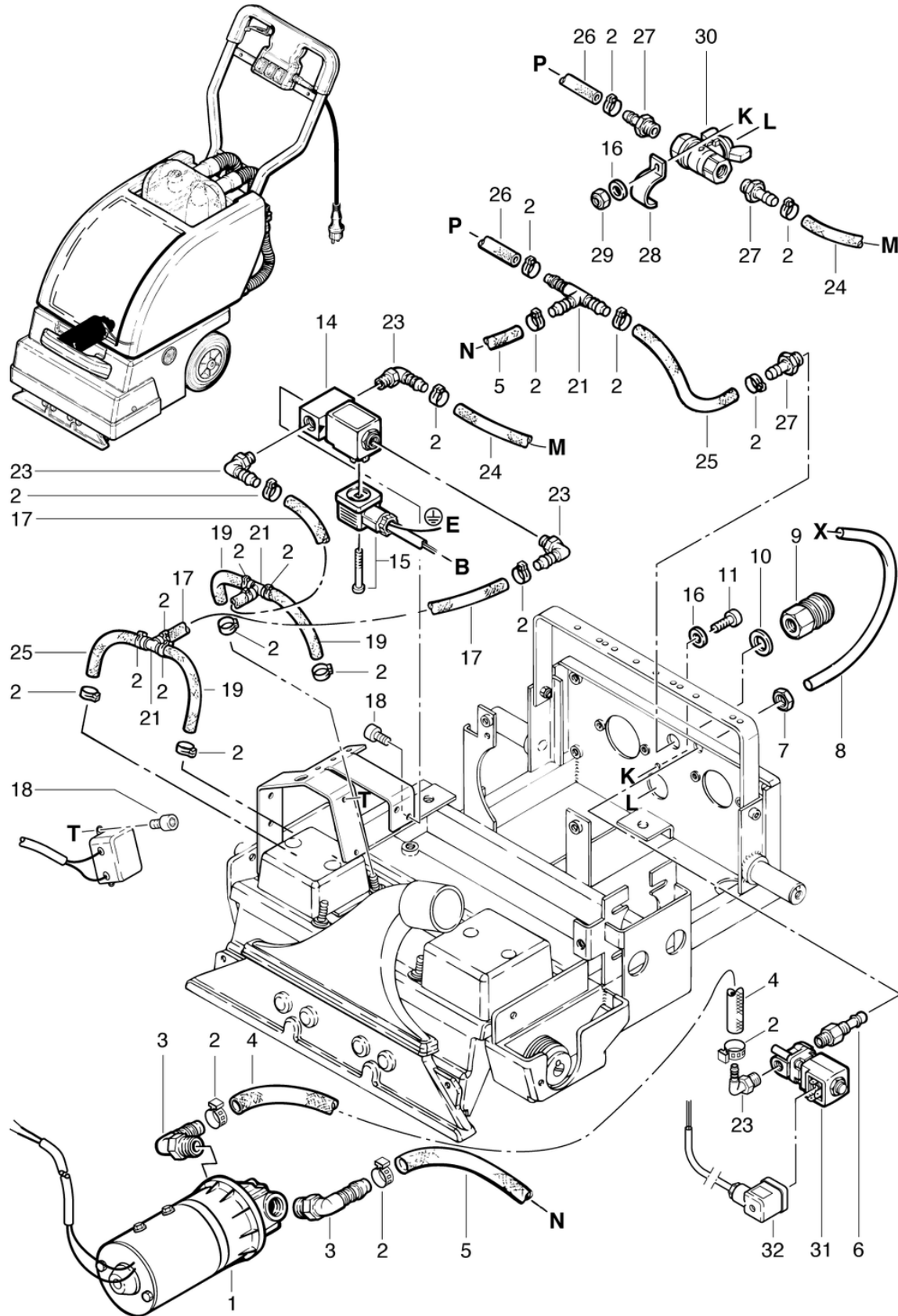
CLEANFIX TW Compact

Pump assembling and hoses

PDF created on: 10.11.2023 19:24



TW Compact



Pos.	Item no.	Spare part
1	420.951	membran pump 230V assembled
2	P550A	Hose clamp 14.5-706R
3	P541M	Elbow nipple WES 8 / R3 / 8
4	420.261	Pressure Hose 400mm
5	420.269	Hose 6/12x200 mm
6	440.343	Nipple For Suction Hose
7	P535I	Nut SW15 / G1 / 8 x 4 Ms
8	400.262	Pressure hose \varnothing 8 / 6 x 0.34m
9	P500A	Plug-in coupling 1/4 IT, large brass
10	P260	Shim 14/24/2 PE black
11	P488B	Screw DIN 912 M5 x 12 A2
14	420.276	Solenoid valve 3/2-way 230V / 50Hz
15	420.309	Cable Harness for Mag Valve
16	P497E	Shim DIN 9021 M5 5,3/15/1,2 A2
17	420.261A	Hose 6/12x300mm
18	P488E	Screw DIN 912 M5 x 8 A2
19	420.341	Hose 6/12x140mm
21	P544D	Connection piece TS8
23	P541G	Elbow nipple WES 8 / R1 / 8
24	420.262A	Hose 6/12x650 mm
25	420.343	Hose 6/12x110 mm
27	P524F	Hose nipple NW8 - 1/4 AG Ms
28	450.336A	Ball Tap Holder
29	P493G	Nut DIN 985 M5
30	P508B	Ball tap
31	420.255	Magnetic 2 Way Valve
32	550.257	Cable

CLEANFIX TW Compact

Pump

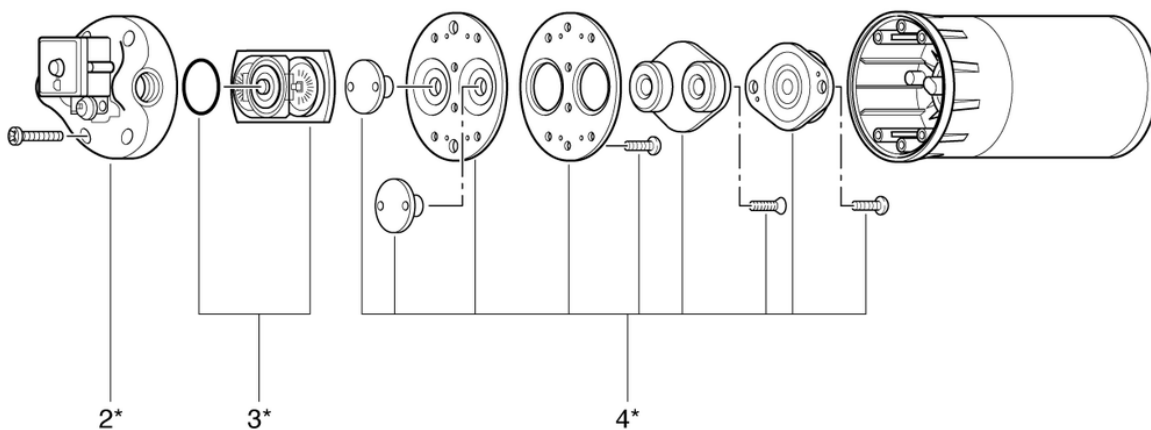
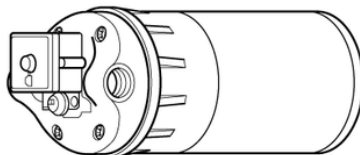
PDF created on: 10.11.2023 19:24

TW Compact



Pumpe / Pompe / Pump P821B

bis Masch.-Nr. / to machine no. / au no. de machine **52 2022**



* bis Masch.-Nr. / to machine no. / au no. de machine
52 2022

ab Masch.-Nr. **01 2023** für Pumpe 420.951 sind keine Ersatzteile erhältlich
from machine no. **01 2023** no spare parts are available for pump 420.951
de no. de la machine **01 2023** aucune pièce de rechange n'est disponible pour la pompe 420.951

Pos.	Item no.	Spare part
2	P821C	Flojet-Pumpe 230V
3	P821D	Valve Set, Flojet Pump 230V with filter
4	P821E	Cam aperture rateSet, Flojet Pump 230V with filter

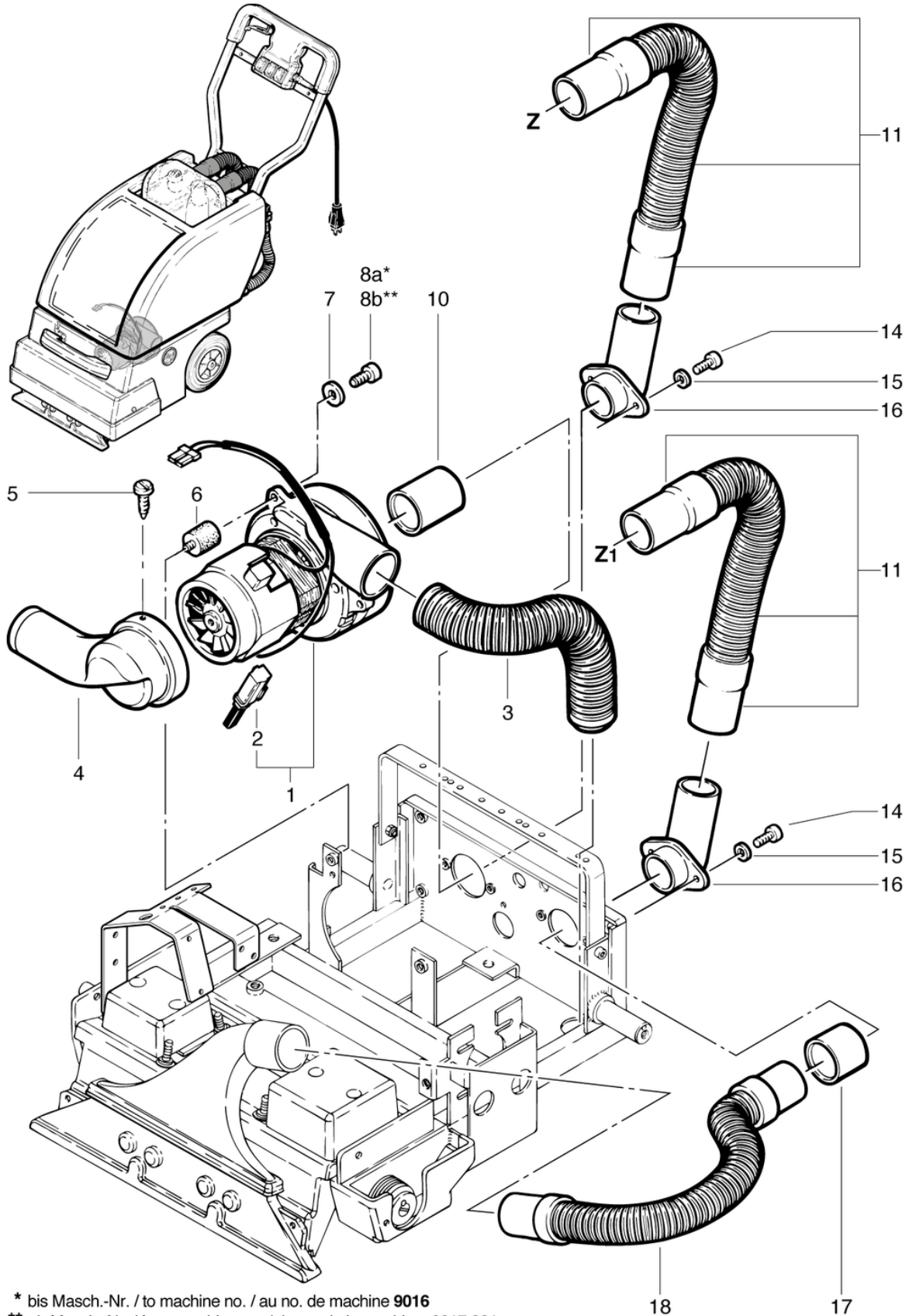
CLEANFIX TW Compact

Suction motor and hoses

PDF created on: 10.11.2023 19:24



TW Compact



* bis Masch.-Nr. / to machine no. / au no. de machine **9016**

** ab Masch.-Nr. / from machine no. / de no. de la machine **9017.001**

TW Compact

Sauggebläse und Saugschläuche / Moteur d'aspiration et tuyaus / Suction motor and hoses

B 6-06.2017

Pos.	Item no.	Spare part
1	420.210	Suction fan 230V 50/60 Hz 1200W
2	P870KH	Pair of carbon brushes LAMB
3	400.227	Isolation hose 0.28m
4	420.361	Tube
5	P483H	Screw DIN 7981 C 2,9 x 6,5 A2
6	400.214	Round buffer M6 x 8 I-thread, ø 20 x 30
7	P497H	Washer DIN 9021 M6 6,4/18/1,6 A2
8	P486Q	Screw DIN 912 M6 x 12 A2
8	P486R	Screw DIN 912 M6 x 16
10	420.212	Connection Piece
11	411.770	Hose 0.65m NW 32 including sleeve
14	P486A	Screw DIN 912 M4 x 12
15	P496C	Shim DIN 9021 M4 4,3/12/1
16	420.220	Connection piece
17	400.224	Sleeve
18	500.408A	Suction Hose NW 32x540mm

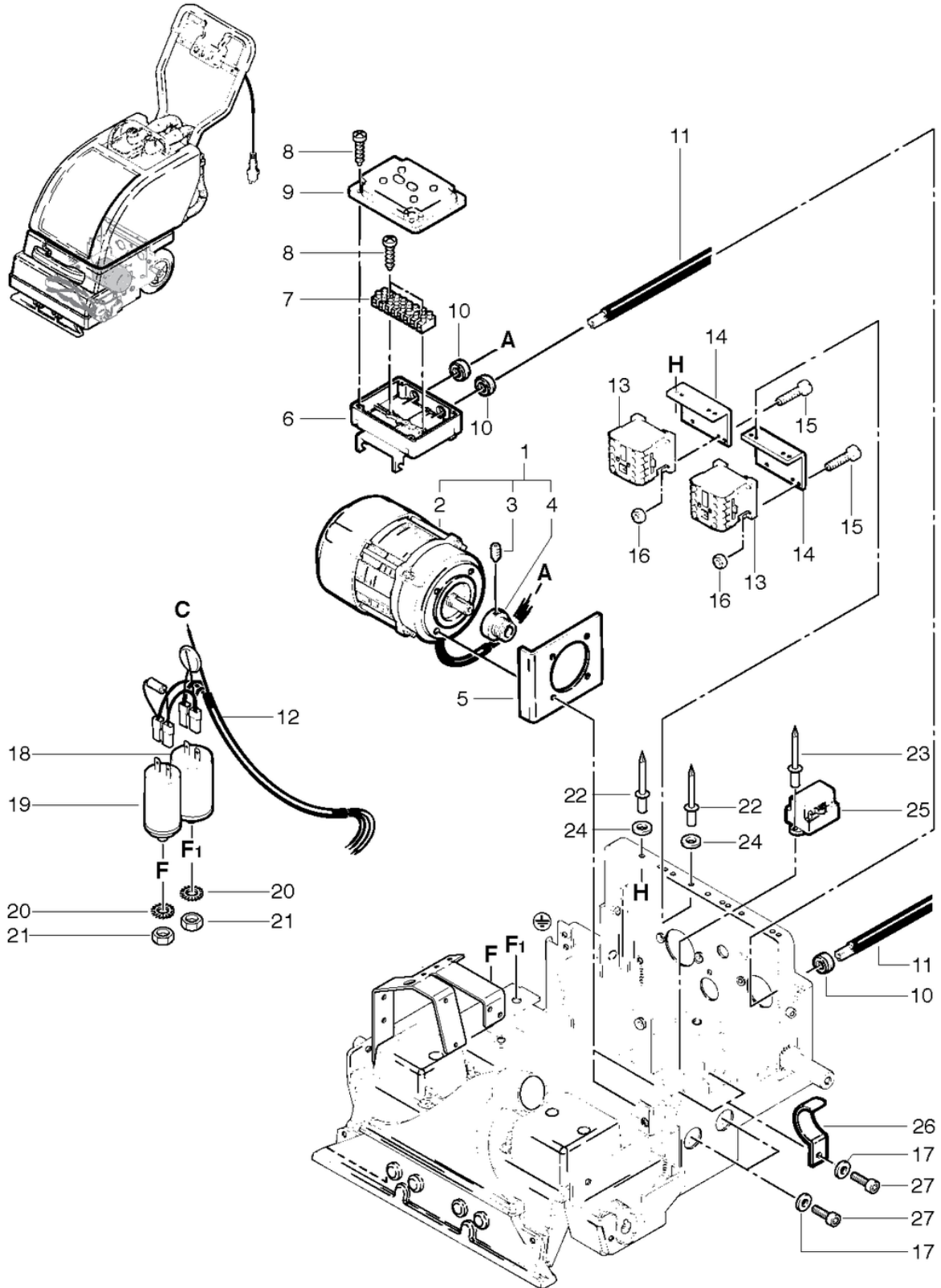
CLEANFIX TW Compact

Brush motor and brush support

PDF created on: 10.11.2023 19:24



TW Compact



Pos.	Item no.	Spare part
1	420.281	Brush Motor Complete
2	400.281A	Brush motor 230 V /50 Hz 370 W
3	P484Y	Threaded pin Stift DIN 915 M6 x 10
4	420.290	Belt Pulley
5	400.291	Motor Holder plate
6	400.320A	Distribution box cpl.
7	P383M	Screw terminal with DS, 9 P. 2.5mm
8	P516S	Screw WN 1452 K30 x 14
9	P379A	Terminal box cover
10	P408K	Rabber clamp DA 11/14/3
11	420.305	Wiring harness bumper 6 x 0,75mm ²
12	420.306	Wiring harness to condenser
13	P353	Power protector 230V/50Hz 10A
14	420.116	Left Angle
15	P477B	Screw DIN 912 M3 x 14
16	P491P	Nut DIN 934 M3 brass
17	P497G	Washer DIN 125 A M5 5,3/10/1 A2
18	P385B	Capacitor 12uF, 450V
19	P385E	Capacitor 20uF, 450VAC
20	P499F	fan-shaped shim shape A M8/8,2/14
21	P490E	Nut DIN 934 M8
22	P485J	Rivet Ø 3x10
23	P485C	Rivet Pop Standard 4.0 x 8.0 Alu / St
24	P497J	Shim DIN 9021 M3 3,2/9/0,8
25	420.331	Relay
26	400.137	Hose holder
27	P486I	Screw DIN 7984 M5 x 16 galvanized

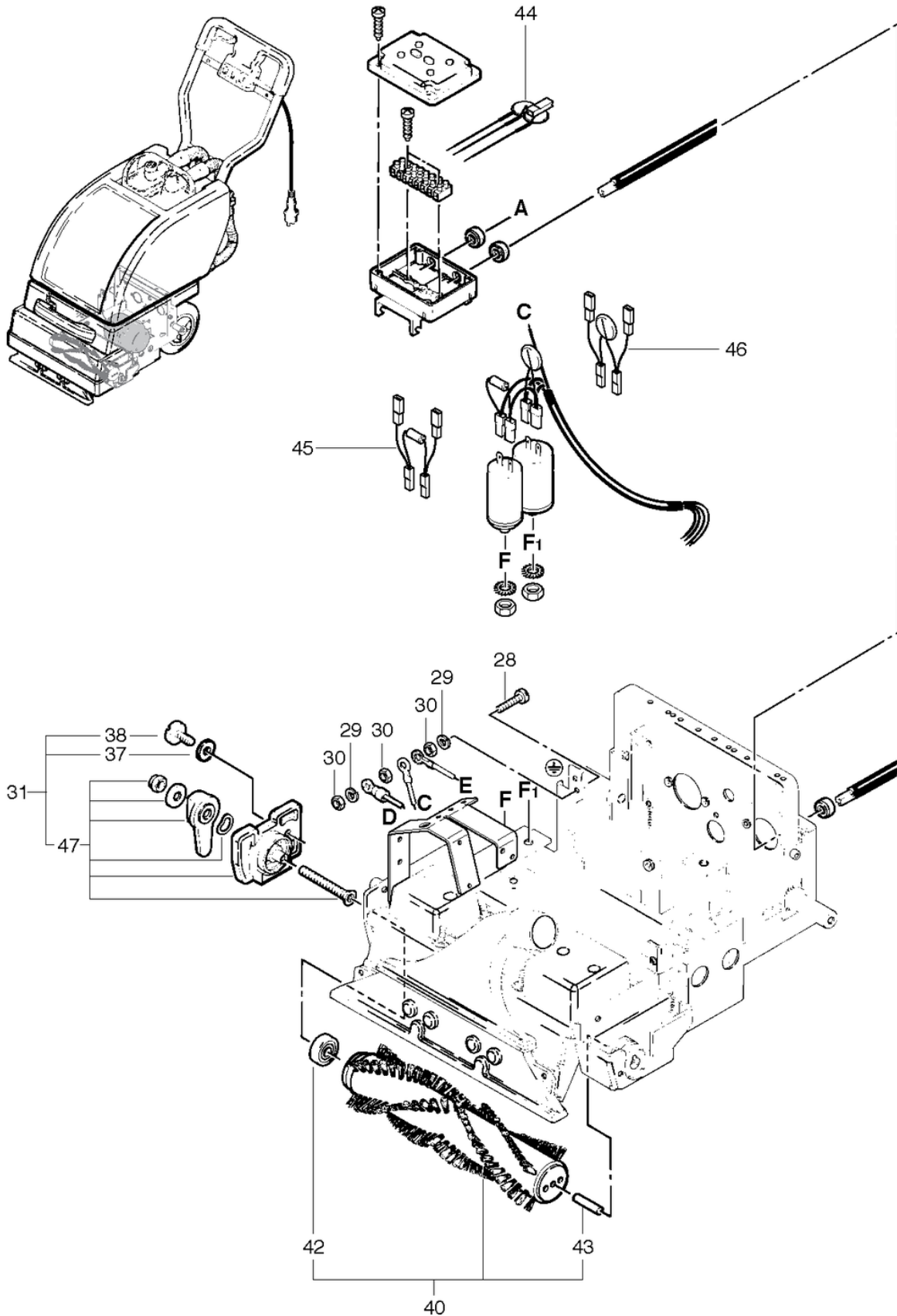
CLEANFIX TW Compact

Brush motor and brush support

PDF created on: 10.11.2023 19:24



TW Compact



Pos.	Item no.	Spare part
28	P478L	Screw DIN 84 M4 x 20 Ms
29	P498A	Ring DIN 127 B M4 4,1/7,6/0,9 CuSn
30	P491Q	Nut DIN 934 M4 brass
31	420.450	Brush Support Complete
37	P497E	Shim DIN 9021 M5 5,3/15/1,2 A2
38	400.475	Special Screw 18x20
40	420.472	Cylindrical brush white, soft
42	P316D	Deep groove ball bearing 6201 2RSR ø32 / 12 x 10
43	400.478	Centrepin 8 x 28mm
44	420.240	Varistor
45	420.306E	Harness for capacitor
46	420.306D	Varistor
47	420.460	Brush support

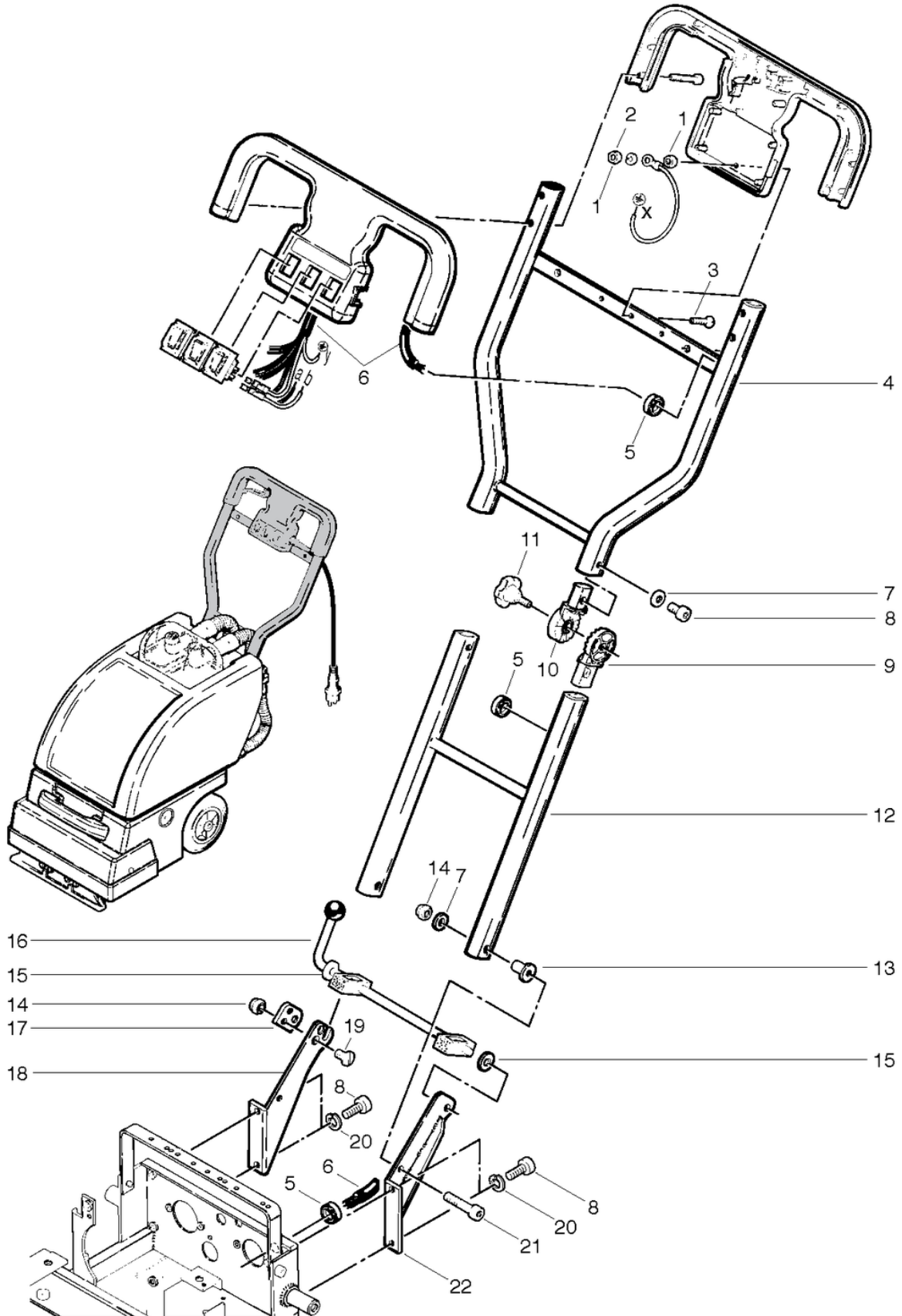
CLEANFIX TW Compact

Lower pushbar

PDF created on: 10.11.2023 19:24



TW Compact



Pos.	Item no.	Spare part
1	P491Q	Nut DIN 934 M4 brass
2	P498A	Ring DIN 127 B M4 4,1/7,6/0,9 CuSn
3	P481E	Screw DIN 963 M4 x 14 Ms
4	420.650	Bumper upper part
5	P408K	Rubber clamp DA 11/14/3
6	420.305	Wiring harness bumper 6 x 0,75mm ²
7	P497H	Washer DIN 9021 M6 6,4/18/1,6 A2
8	P486Q	Screw DIN 912 M6 x 12 A2
9	420.602	Lower Joint
10	420.601	Upper Joint
11	P253	Star grip Ø39.5 M6 x 25
12	420.651	Bumper lower part
13	420.370	Bearing bush
14	P493K	Nut DIN 985 M6
15	P496Q	Shim DIN 9021 M8 8,4/24/2
16	420.356	Adjustment Lever
17	420.999	Bearing plate
18	420.351A	Lever support right
19	P487U	Screw DIN 7991 M6 x 12
20	P498U	Ring DIN 127 B M6 6,1/11,8/1,6 A2
21	P486S	Screw DIN 912 M6 x 35 with shaft
22	420.351	Lever support left

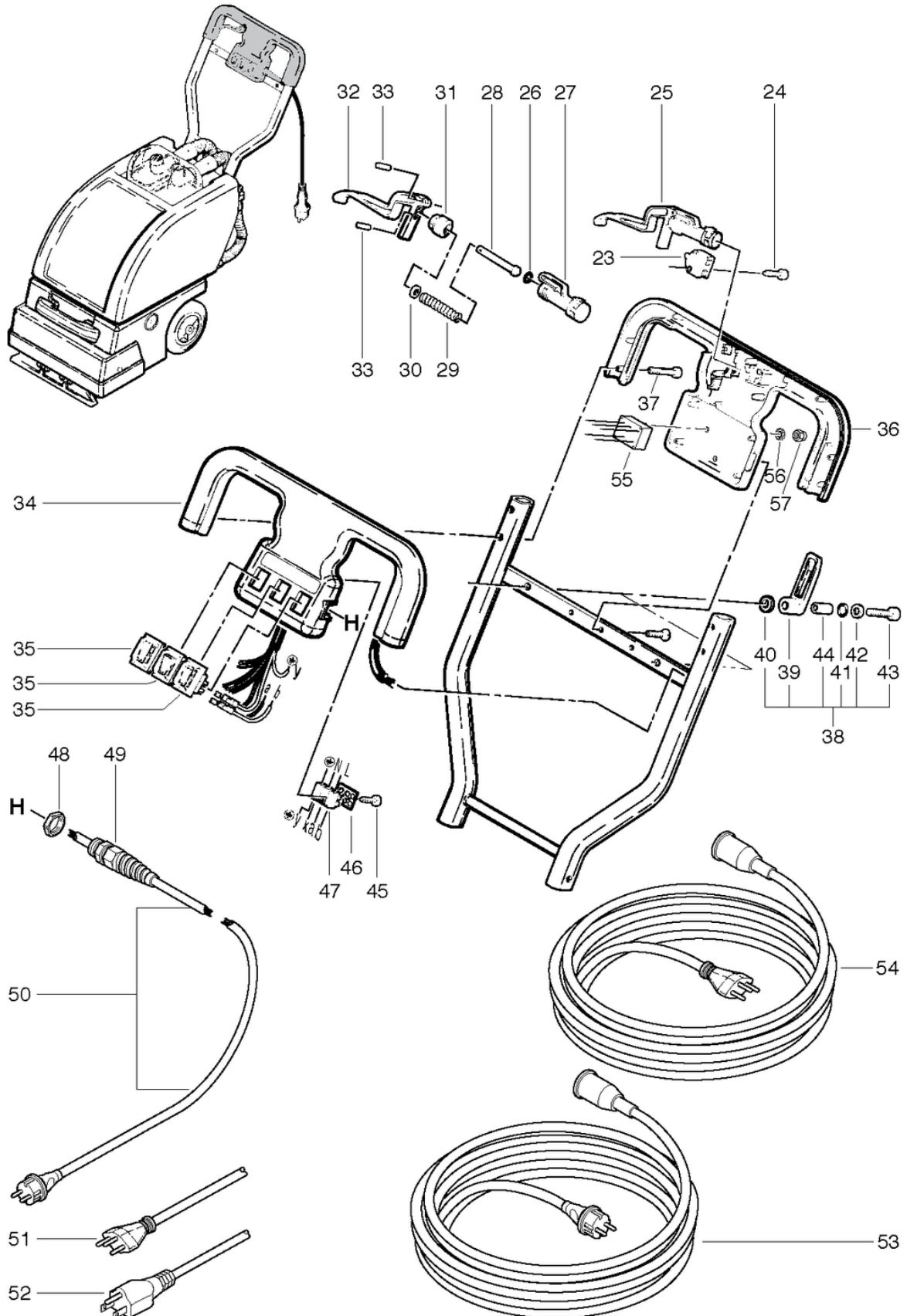
CLEANFIX TW Compact

Lower pushbar

PDF created on: 10.11.2023 19:24



TW Compact



Pos.	Item no.	Spare part
23	P242	Push button switch 1 Pole
24	P516E	Screw WN 1451 K30 x 20
25	400.620	Lever Complete
26	P681F	O-Ring ID5,23/2,62 NBR
27	400.622	Valve Body
28	P681D	Valve pin compl.
29	P681E	Valve spring
30	P497G	Washer DIN 125 A M5 5,3/10/1 A2
31	P681B	Union nut
32	400.621	Valve Lever
33	P681K	Cylindrical pin 1,5/14,5
34	400.611	Upper Handle Housing
35	P240	Rocker switch orange 230V
36	420.618	Handle bottom machined
37	P516B	Screw WN 1452 K30 x 30
38	P087	Catch for cable black cpl.
39	P087A	Catch for cable black
40	P497H	Washer DIN 9021 M6 6,4/18/1,6 A2
41	P088	O-Ring 8,73/1,78 NBR
42	P496K	Shim DIN 125 A M6 6,4/12/1,6
43	P488S	Screw DIN 912 M6 x 30 A2
44	P087B	Distance sleeve Ø8/6,2 x 18,8mm
46	P394	Marking plate 500 BZ 3 L,N,PE
47	P383A	Screw terminal with DS 3-pol. 2.5mm2
48	P279H	Lock nut PG9 brass nickel-plated
49	P279D	Lock nut PG 7 brass nickel-plated
50	P400B	Connector cable 680mm VDE, black
51	P400D	Connector cable 680mm SEV, black
52	P400E	Connector cable 680mm SEV, black
53	500.863	Extension cable VDE, 20m
54	500.864	Extension cable 20m, Europe IP55
55	420.333	Interferance Filter 0.75uF 6A
56	P510C	Shim DIN 125 A M5 10/5,3/1 PA6.6
57	P237A	Nut DIN 1587 M 5

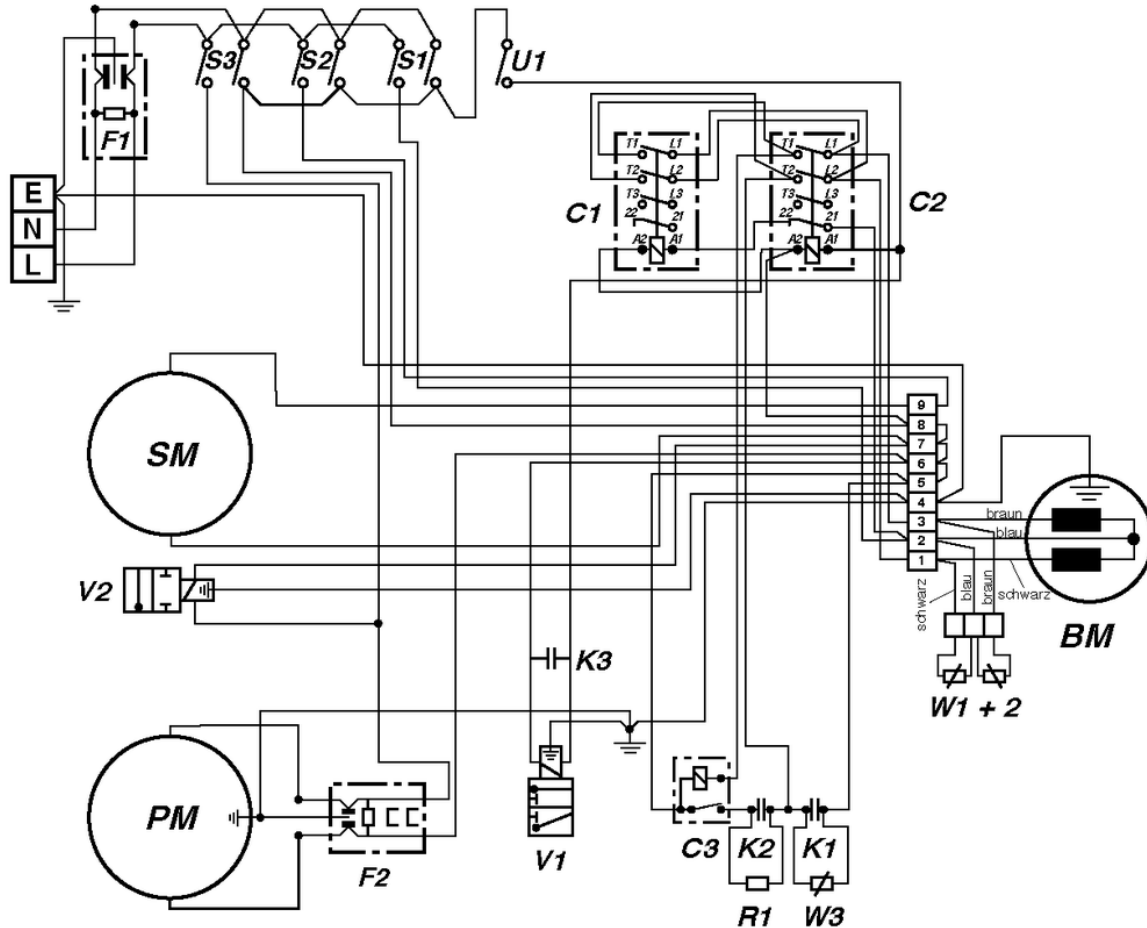
CLEANFIX TW Compact

Wiring diagram

PDF created on: 10.11.2023 19:24



TW Compact



- S1 = Wippenschalter Bürstenmotor / Brush motor switch
- S2 = Wippenschalter Saugmotor / Suction motor switch
- S3 = Wippenschalter Pumpe / Pump switch
- C1 = Leistungsschutz Bürstenmotor / Switch for reversing brush motor
- C2 = Leistungsschutz Bürstenmotor / Switch for reversing brush motor
- C3 = Relais
- K1 = Betriebs-Kondensator 12 uF / Capacitor for working brush motor 12 uF
- K2 = Anlauf-Kondensator 20 uF / Capacitor for starting brush motor 20 uF
- K3 = Kondensator 0,33 uF / Capacitor 0,33 uF
- BM = Bürstenmotor / Brush motor
- PM = Pumpenmotor / Pump
- SM = Saugmotor / Suction motor
- V1 = 3/2 Wege-Ventil / Valve 3/2
- V2 = 2/2 Wege-Ventil / Valve 2/2
- U1 = Steuerschalter Bürstenmotor / Reversing-switch
- F1 = FE-Filter Eingang
- F2 = FE-Filter Pumpe
- W1+2 = Varistor S20 K275
- W3 = Varistor S20 K320
- R1 = Drahtwiderstand 30 kOhm/7W

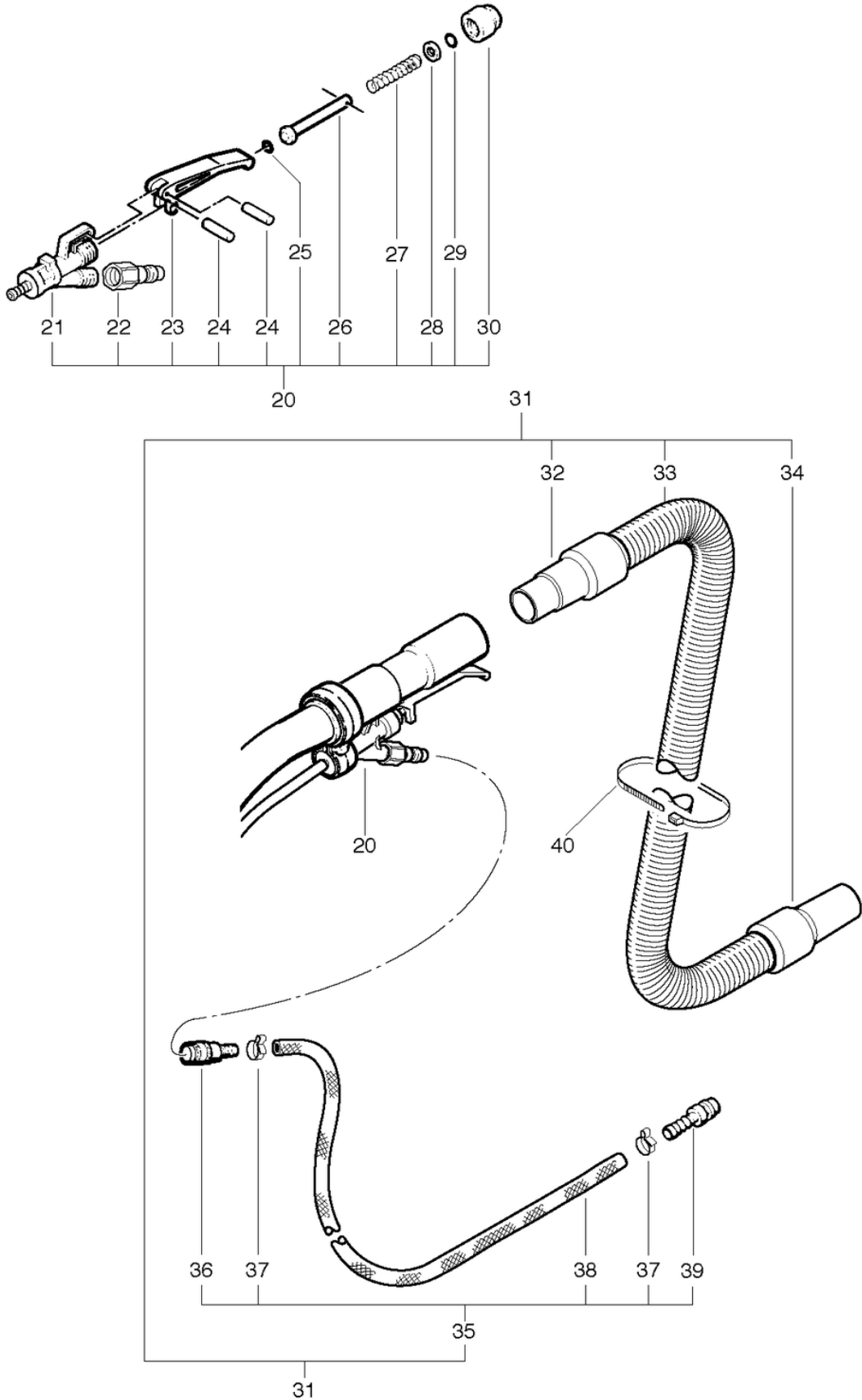
CLEANFIX TW Compact

Spray and suction hose

PDF created on: 10.11.2023 19:24



TW Compact



Pos.	Item no.	Spare part
20	P681	Lever valve with nozzle cpl.
21	P681A	Valve unit with nozzle
22	P501B	Coupling nipple 1/4 , large brass
23	P681C	Valve lever
24	P681K	Cylindrical pin 1,5/14,5
25	P681F	O-Ring ID5,23/2,62 NBR
26	P681D	Valve pin compl.
27	P681E	Valve spring
28	P497G	Washer DIN 125 A M5 5,3/10/1 A2
29	P681G	O-Ring ID5/2 NBR
30	P681B	Union nut
31	420.011	Spray and suction hose complete 5m, Ø 32mm
32	P575	Connection sleeve 32
33	420.012	Vacuum hose 5m, compl.
35	420.013	Pressure hose complete TW Compact
36	900.165	Quick Connector TW401
37	P550I	Hose clamp 13.3-706R
38	420.015	Pressure hose Ø 6/12x4500mm
39	P501D	Plug nipple ø12 x 46mm
40	P609	Cable tie black 4,8 x 178mm

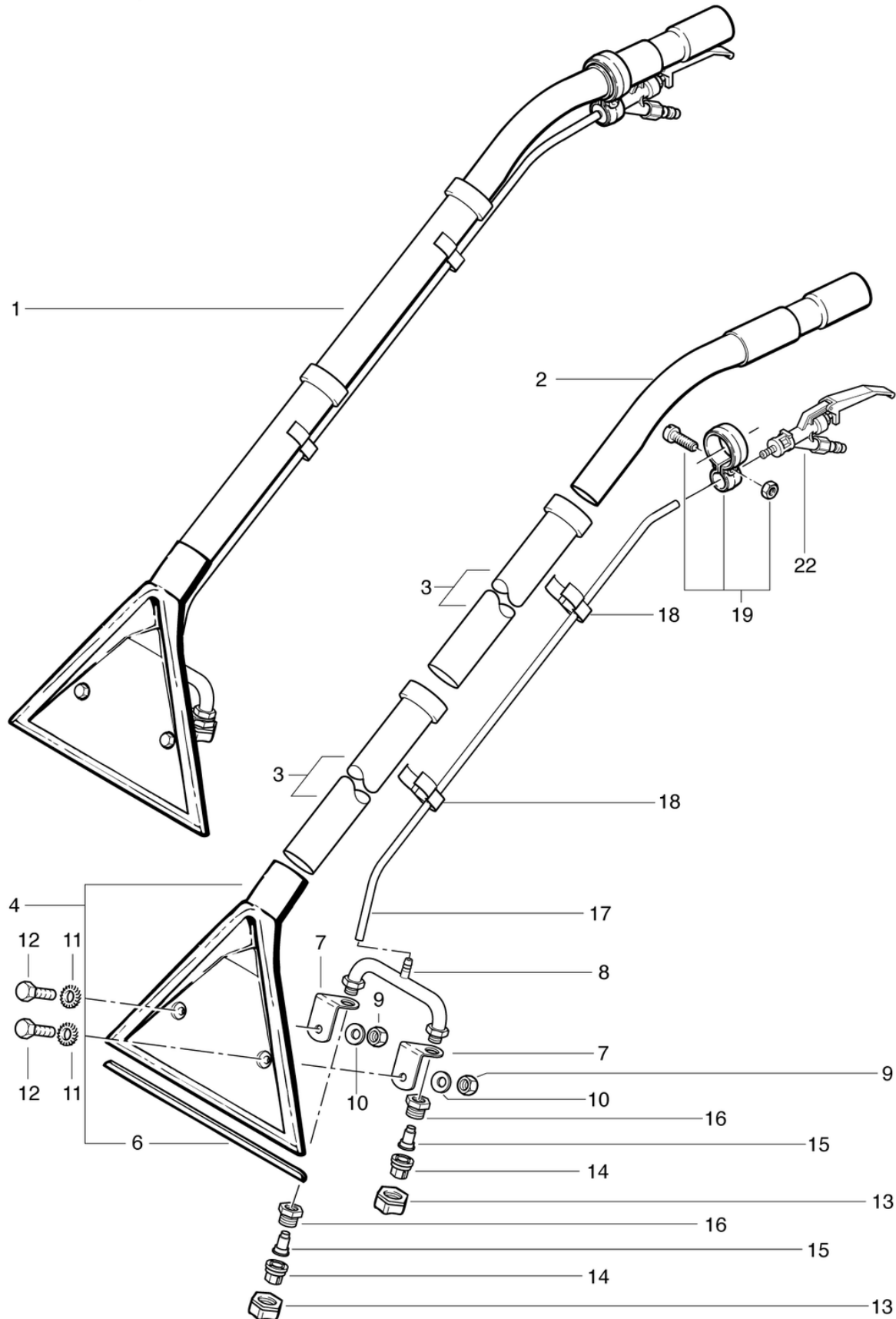
CLEANFIX TW Compact

Carpet tool, 2-nozzles

PDF created on: 10.11.2023 19:24



TW Compact



Pos.	Item no.	Spare part
1	602.000	Carpet adapter 2 jets, 26cm with plastic hand tube
2	P581D	Hand tube, inox
3	645.002A	Inox tube
4	602.550	Suction nozzle with two nozzles
6	P617	Carpet slide rail L=248mm
7	602.150	Mounting bracket for nozzle
8	602.110	2-nozzle pipe bracket
9	P491E	Nut DIN 934 M6 A2
10	P499H	Shim SN 212745 M6 6,4/14/1,15 A2
11	P499D	Shim DIN 6798 M6 6,4/11/0,7 A2
12	P472T	Screw DIN 933 M6 x 20 A2
13	P602D	Union nut 3/8
14	P627D	Spray nozzle 11004
15	P607E	Back pressure application
16	P535P	Threaded nipple 3/8 Ms
17	P573A	Sold by the meter, PUR spray hose ø8 / 6
18	P670	Holding clasp
19	P683	Adapter pipe clamp cpl.
22	P681	Lever valve with nozzle cpl.

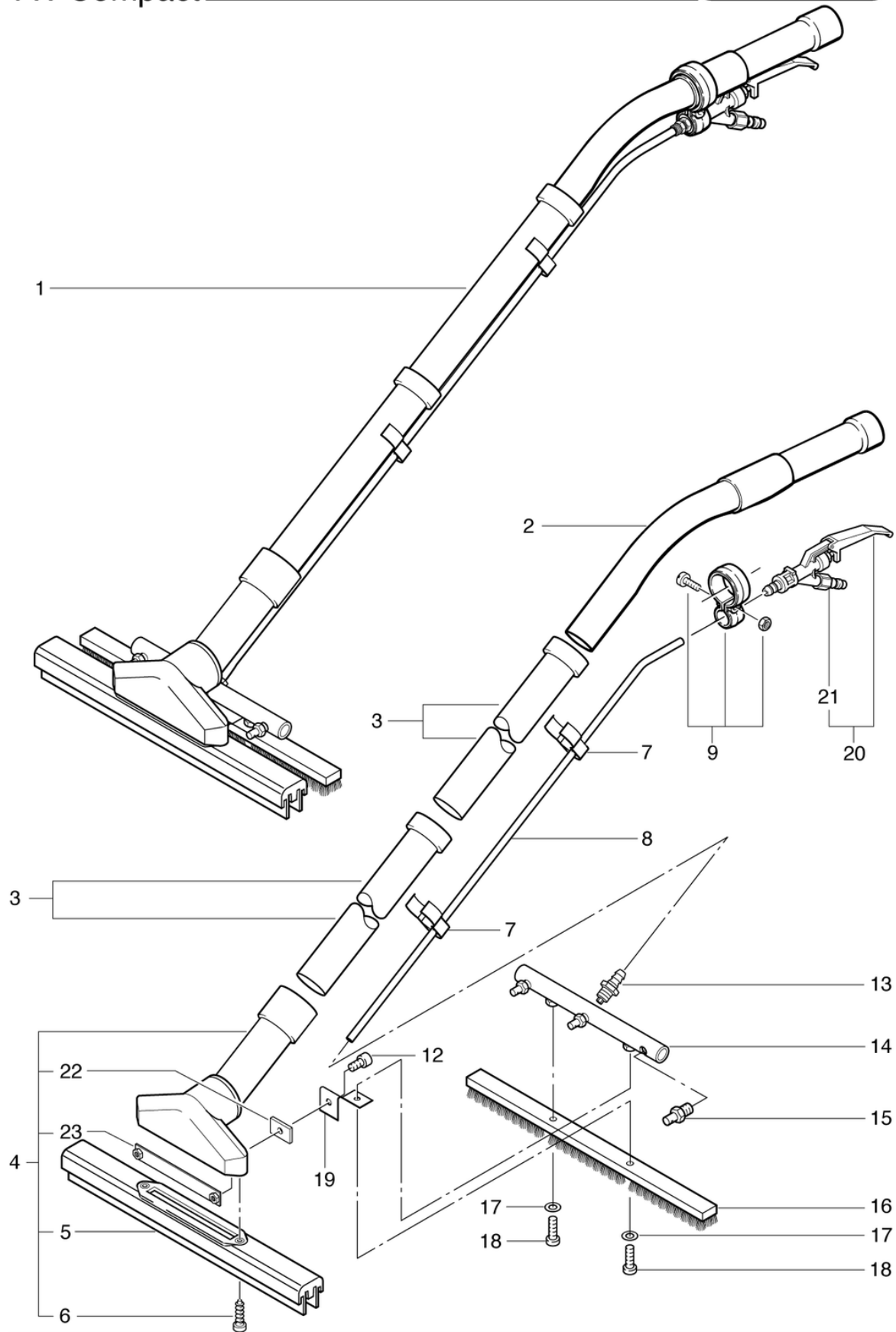
CLEANFIX TW Compact

Hard floor attachment

PDF created on: 10.11.2023 19:24



TW Compact



Pos.	Item no.	Spare part
1	632.000	Hard floor adapter, 37cm, Ø 32mm
2	P581D	Hand tube, inox
3	645.002A	Inox tube
4	632.001	Suction nozzle
5	P633	Spare rubber for hard floor adapter
6	P4830	Screw DIN 7981 TX25 C 4,8 x 19 A2
7	P568	Hose clip var.
8	632.003	Hose ø12/6 x 1,23m
9	P683	Adapter pipe clamp cpl.
12	P488P	Screw DIN 912 M6 x 16 A2
13	P524R	RS valve nipple
14	P631	Jet pipe
15	P640A	Spray nozzle K .75-1/8
16	P636	Brush strip
17	P497K	Washer DIN 125 A M6 6,4/12/1,6 A2
19	632.006	Holder
20	P684	Lever valve with hose bush
21	P501B	Coupling nipple 1/4 , large brass
22	632.005	underlay
23	632.002	retaining plate

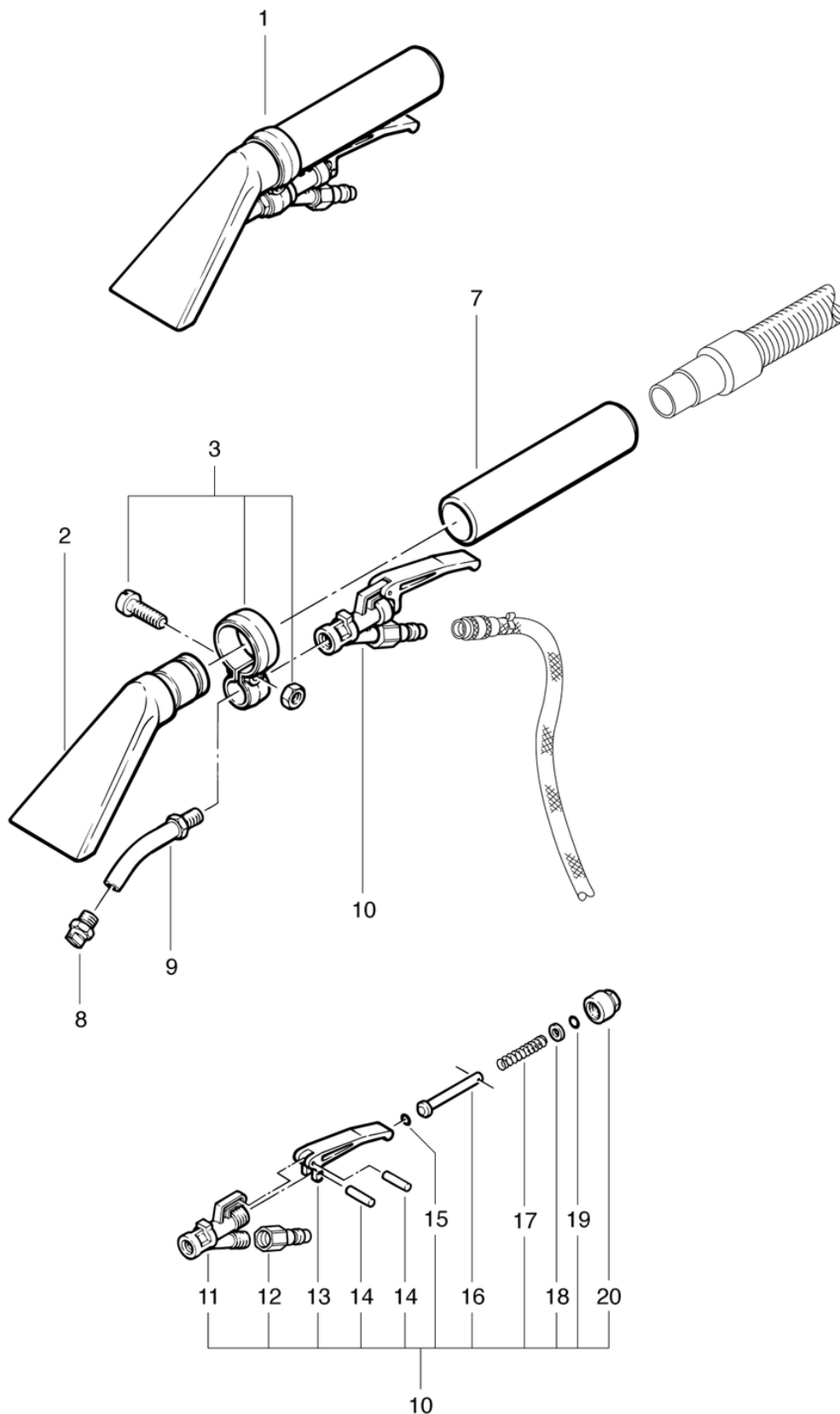
CLEANFIX TW Compact

Upholstery tool

PDF created on: 10.11.2023 19:24



TW Compact



Pos.	Item no.	Spare part
1	617.000	Upholstery tool 8cm, PVC, anthracite, with nozzle inside
2	617.623	Upholstery adapter 8cm anthracite gray, cpl. processed
3	P683	Adapter pipe clamp cpl.
7	617.624	Anthracite gray tube
8	P627	Flat jet nozzle
9	617.625	Nozzle pipe
10	P680	Lever valve cpl. with core hole
11	P680A	Valve unit with 1/8 thread
12	P501B	Coupling nipple 1/4 , large brass
13	P681C	Valve lever
14	P681K	Cylindrical pin 1,5/14,5
15	P681F	O-Ring ID5,23/2,62 NBR
16	P681D	Valve pin compl.
17	P681E	Valve spring
18	P497G	Washer DIN 125 A M5 5,3/10/1 A2
19	P681G	O-Ring ID5/2 NBR
20	P681B	Union nut

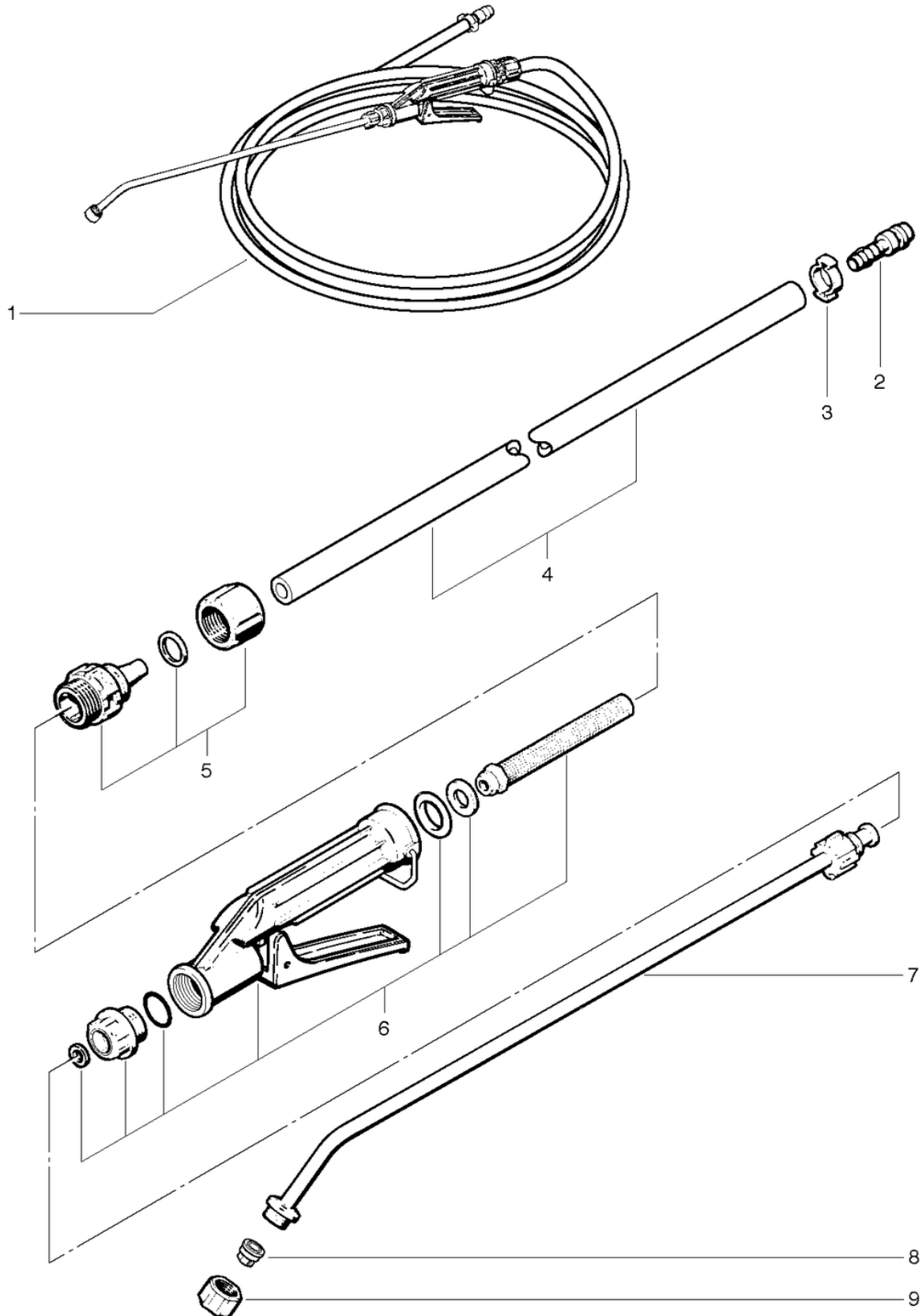
CLEANFIX TW Compact

Spray nozzle with hose

PDF created on: 10.11.2023 19:24



TW Compact



Pos.	Item no.	Spare part
1	660.000	Pre-spray lance with 10m hose
2	P501C	Plug nipple large brass
3	P550C	Hose clamp 17.0-706R
4	110.560C	Sold by the meter, pressure hose HD LW 8 / 4mm
5	660.130	Union nut/spray lance
6	660.110	Spraying valve
7	660.120	Spray nozzle 60cm curved
8	P640B	Spray nozzle prespraying lance
9	P602D	Union nut 3/8