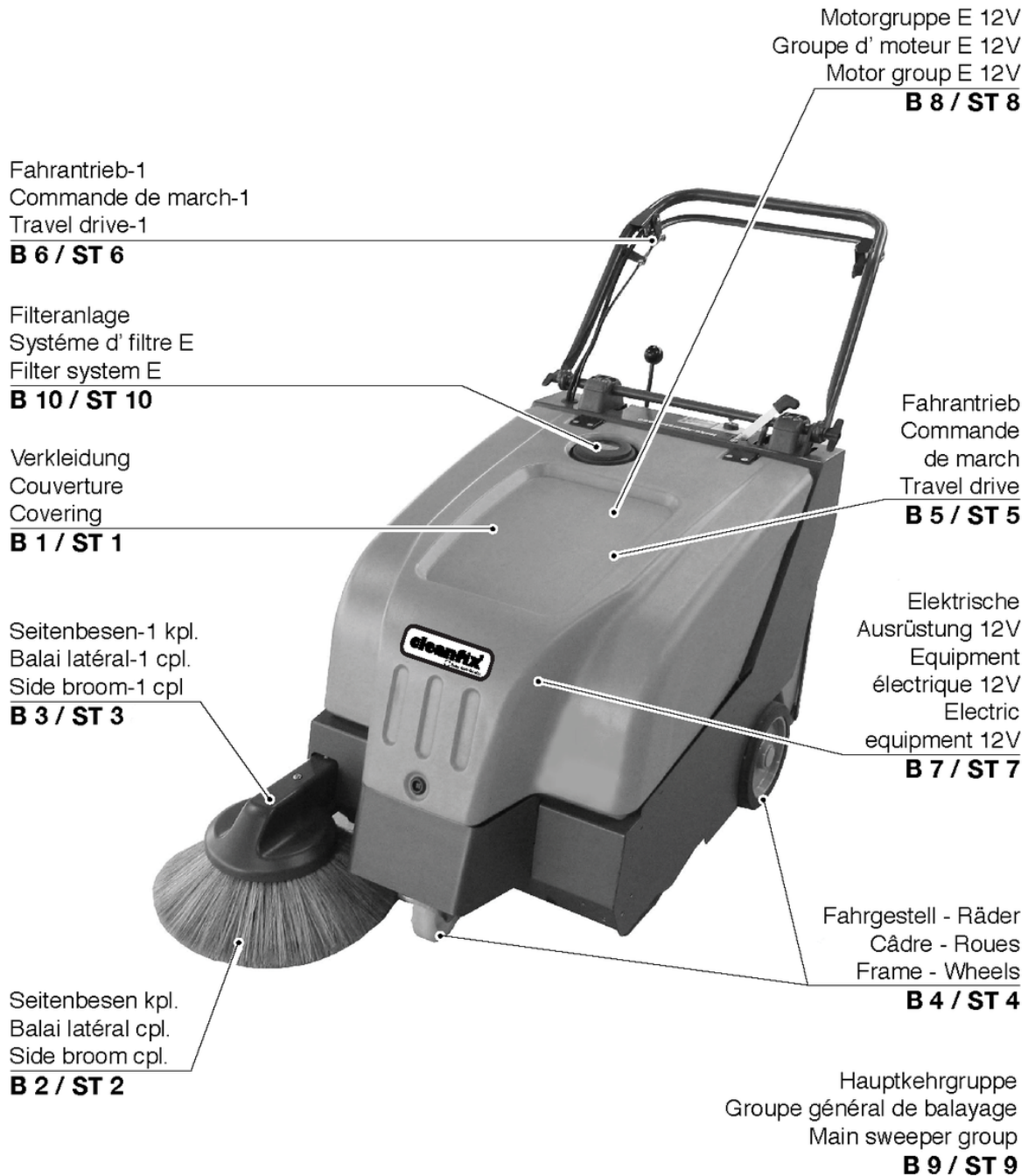


# CLEANFIX KS 650 IBC

## Contents

PDF created on: 10.11.2023 19:48

KS 650 IBC



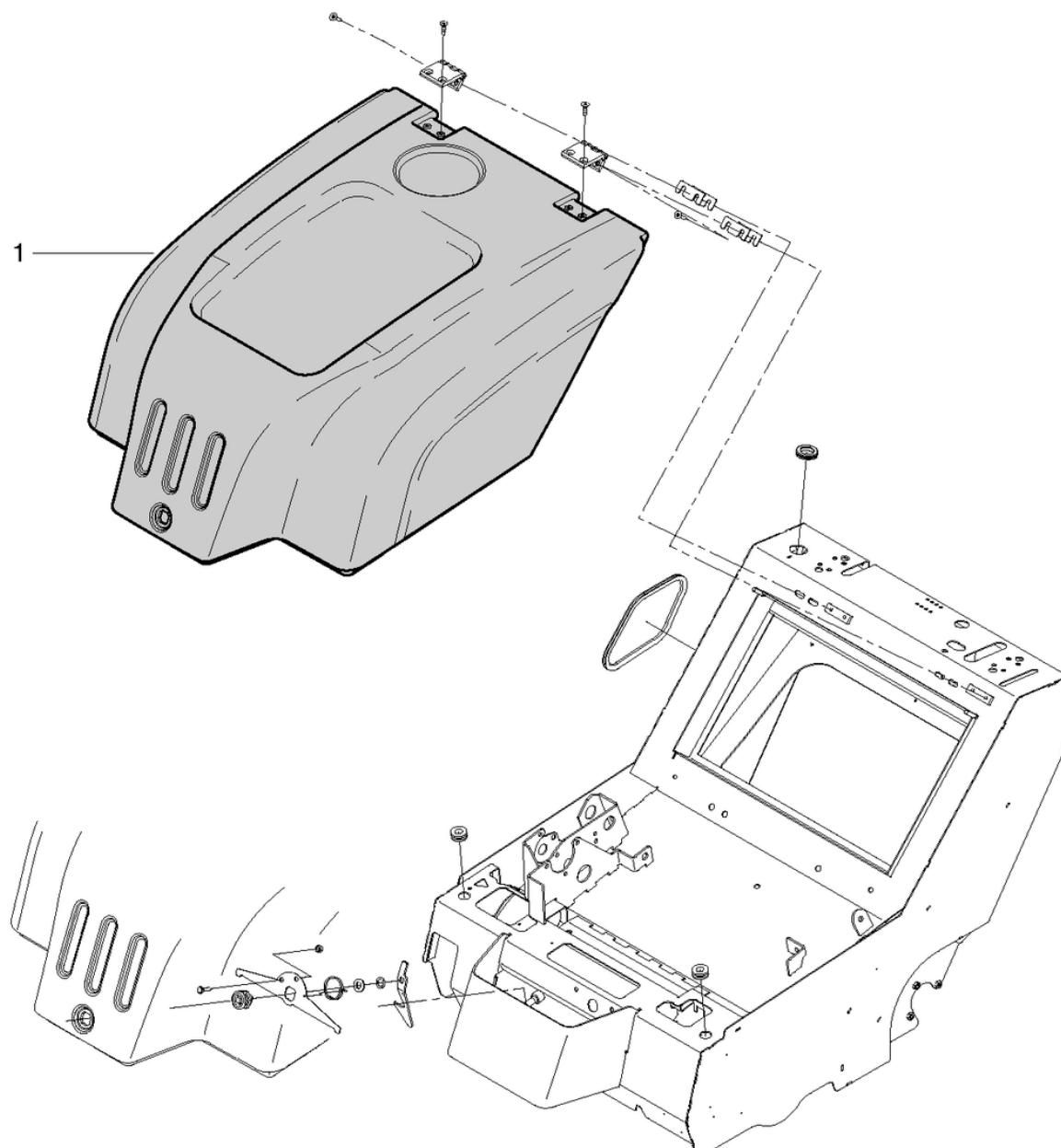
# CLEANFIX KS 650 IBC

## Covering

PDF created on: 10.11.2023 19:48



KS 650 IBC



| <b>Pos.</b> | <b>Item no.</b> | <b>Spare part</b> |
|-------------|-----------------|-------------------|
| 1           | 065.197         | Hood RAL 3001     |

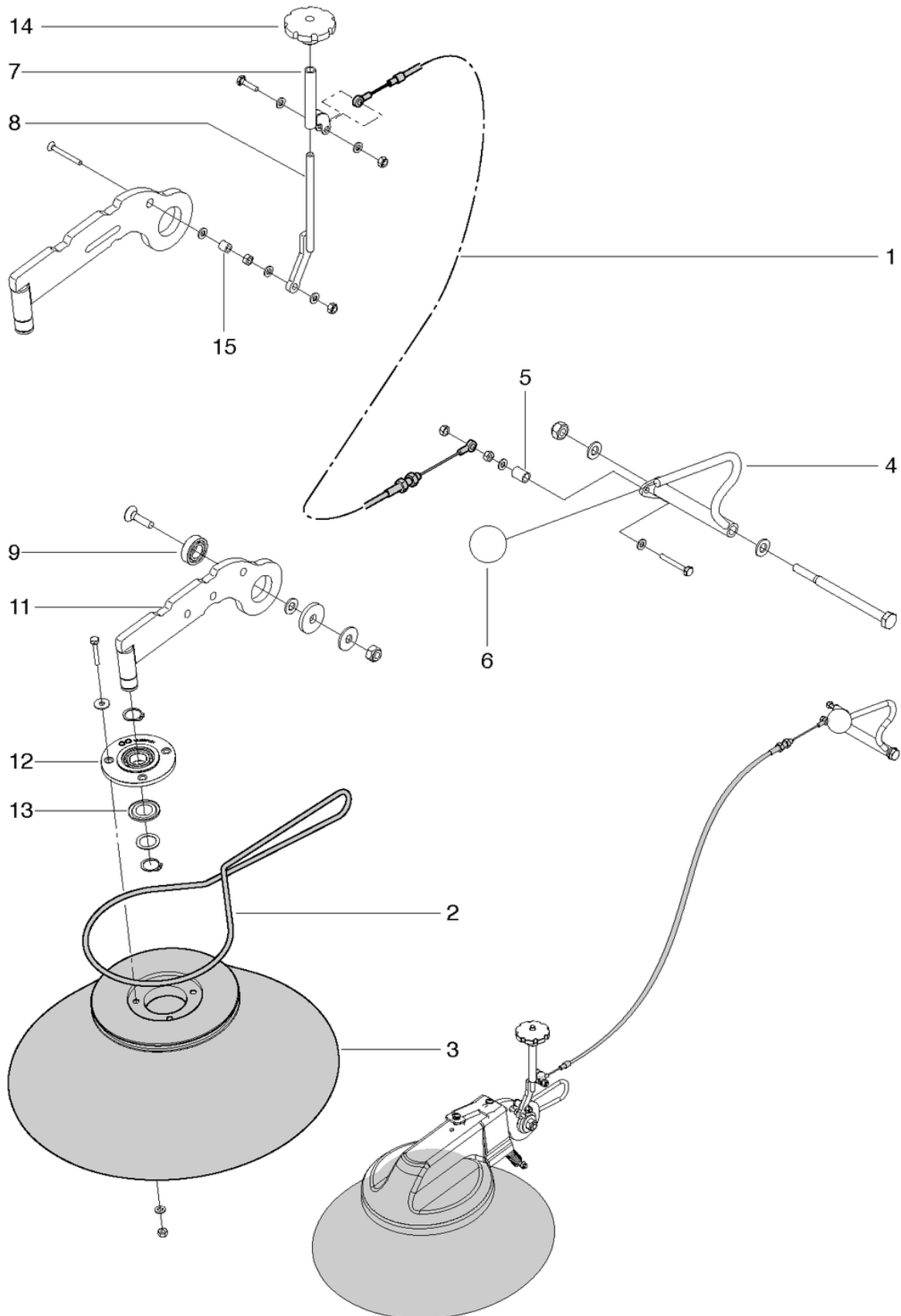
# CLEANFIX KS 650 IBC

## Side broom cpl.

PDF created on: 10.11.2023 19:48



### KS 650 IBC



| <b>Pos.</b> | <b>Item no.</b> | <b>Spare part</b>   |
|-------------|-----------------|---|
| 1           | 065.192         | Bowden Cable  |
| 2           | 065.191         | Brush Belt  |
| 3           | 065.193         | Side brush for indoor use                                     |
| 4           | 065.201         | activity side broom   |
| 5           | 065.202         | Rifle   |
| 6           | 065.203         | Bullet button   |
| 7           | 065.204         | Adjustable pipe compl.  |
| 8           | 065.205         | Adjusting rod Left Comp                                       |
| 9           | P316Q           | Deep groove ball bearing 6003 2RSR $\varnothing$ 35 / 17 x 10 |
| 11          | 065.207         | Side broom arm compl.   |
| 12          | 065.208         | Flange Bearings   |
| 13          | 065.209         | Nilos-Ring  |
| 14          | 065.160         | Hand wheel  |
| 15          | 065.214         | Rifle   |

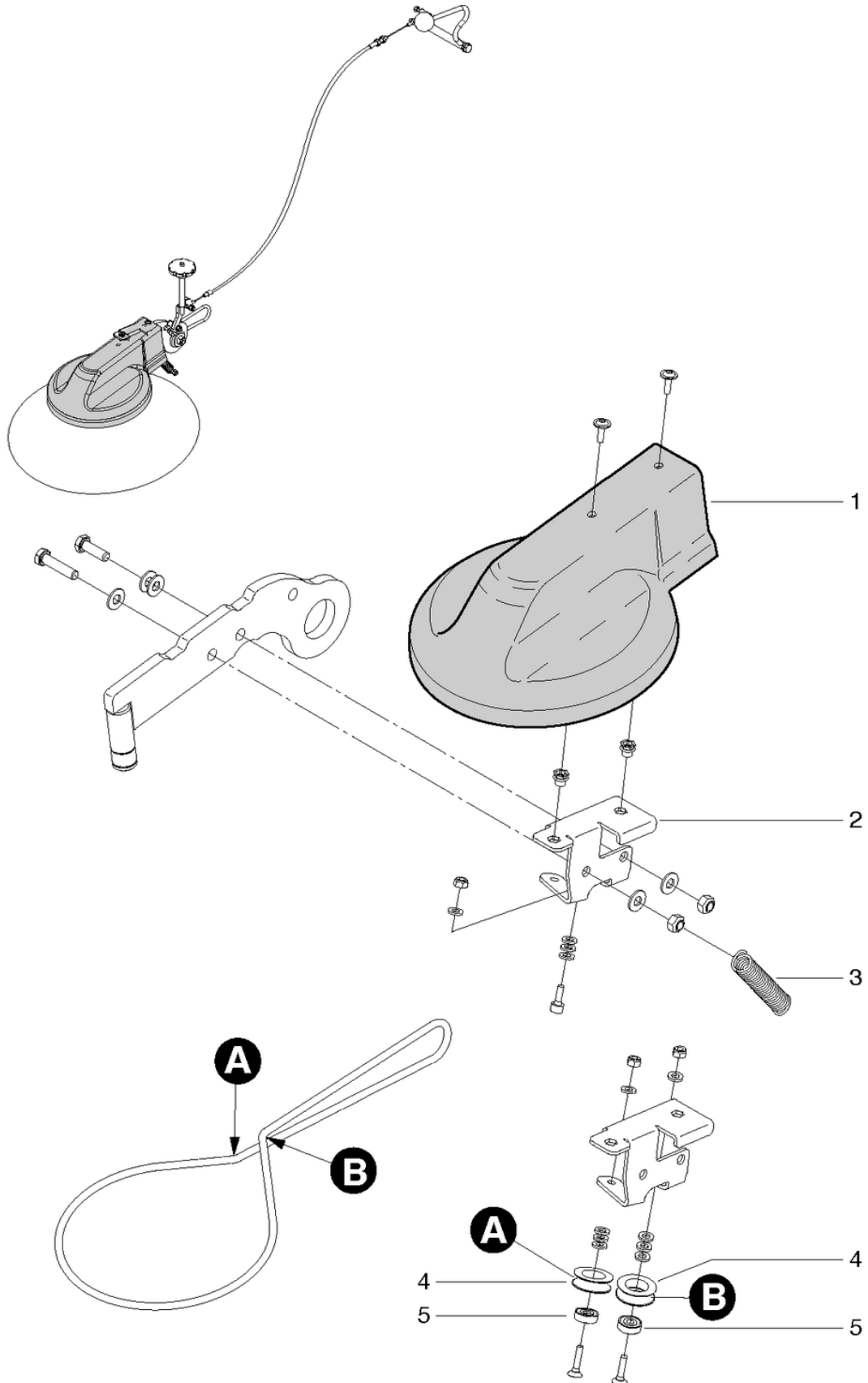
# CLEANFIX KS 650 IBC

## Side broom-1 cpl.

PDF created on: 10.11.2023 19:48



KS 650 IBC



| <b>Pos.</b> | <b>Item no.</b> | <b>Spare part</b>  |
|-------------|-----------------|--|
| 1           | 065.194         | Cover  |
| 2           | 065.210         | Roleholder   |
| 3           | 065.211         | Tension spring 2 / 15 / 52                                 |
| 4           | 065.212         | Deflection roller  |
| 5           | 065.213         | Deep groove ball bearing S626 2RS $\varnothing$ 19 / 6 x 6 |

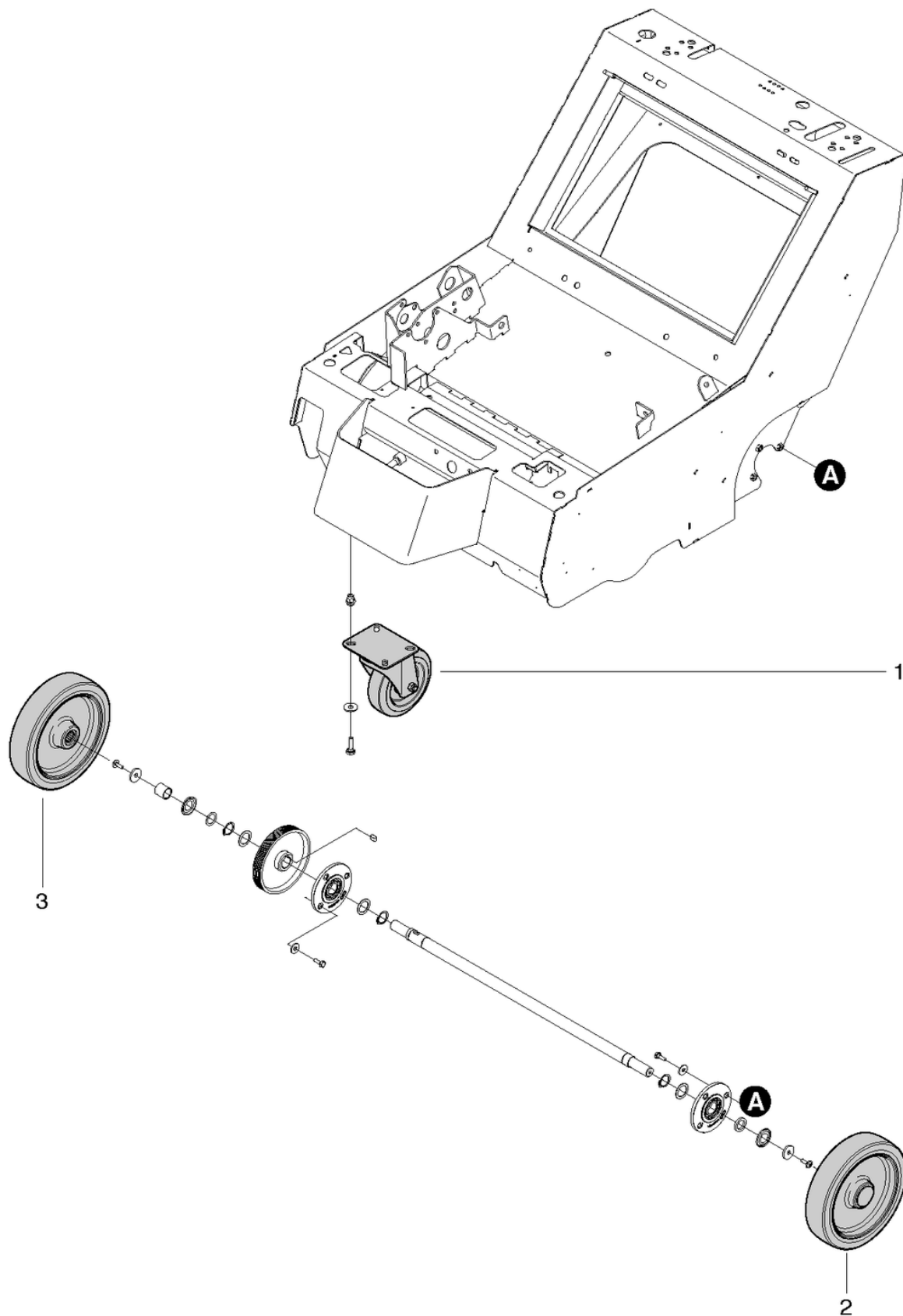
# CLEANFIX KS 650 IBC

## Frame - Wheels

PDF created on: 10.11.2023 19:48



KS 650 IBC





| <b>Pos.</b> | <b>Item no.</b> | <b>Spare part</b>  |
|-------------|-----------------|--------------------|
| 1           | 065.156         | Front castor KS650 |
| 2           | 065.157         | Wheel left         |
| 3           | 065.158         | Wheel right        |

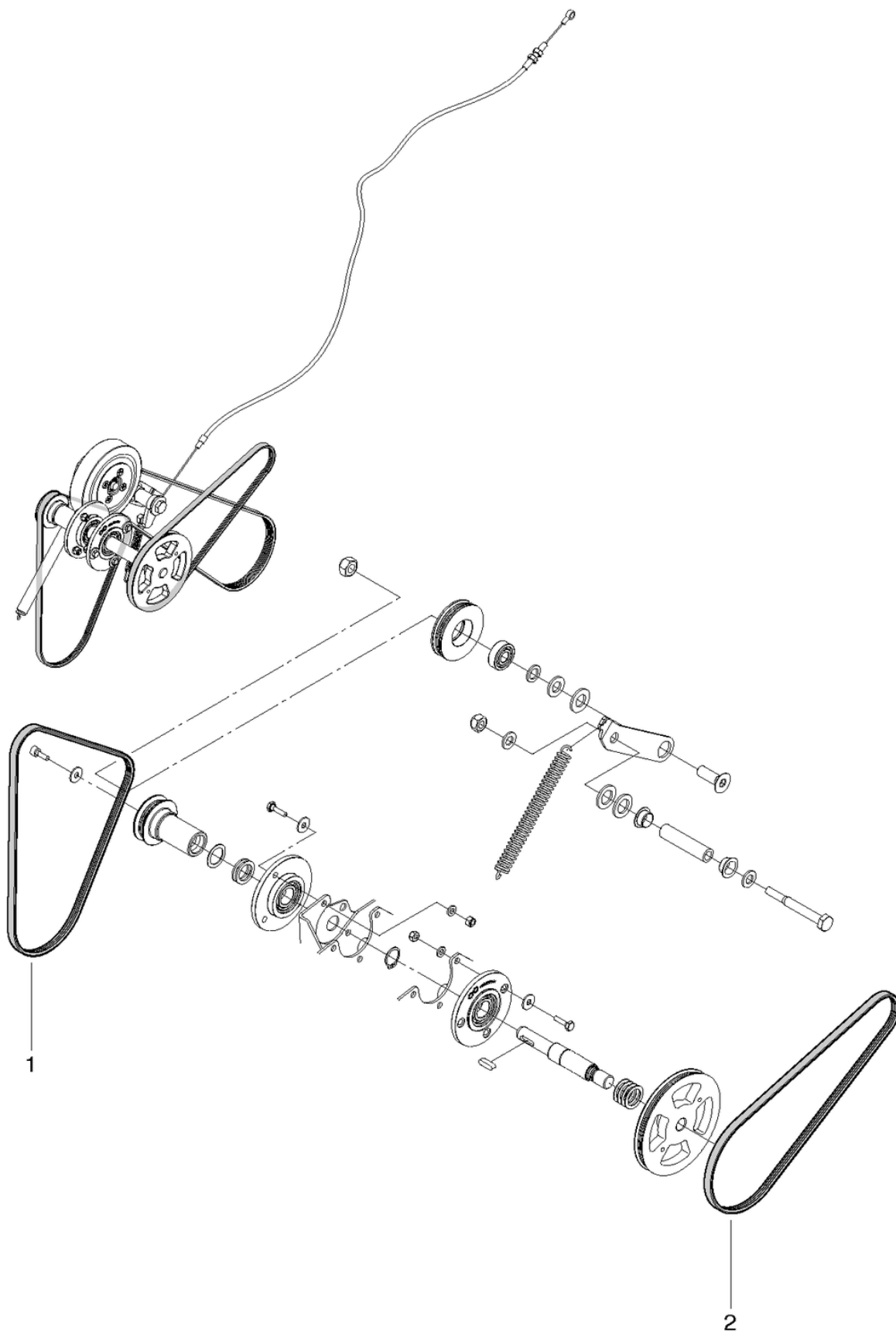
# CLEANFIX KS 650 IBC

## Travel drive

PDF created on: 10.11.2023 19:48



KS 650 IBC



| <b>Pos.</b> | <b>Item no.</b> | <b>Spare part</b>    |
|-------------|-----------------|----------------------|
| 1           | 065.151         | Ripped band 4PJ 800  |
| 2           | 065.152         | Ribbed belt 4EPJ 742 |

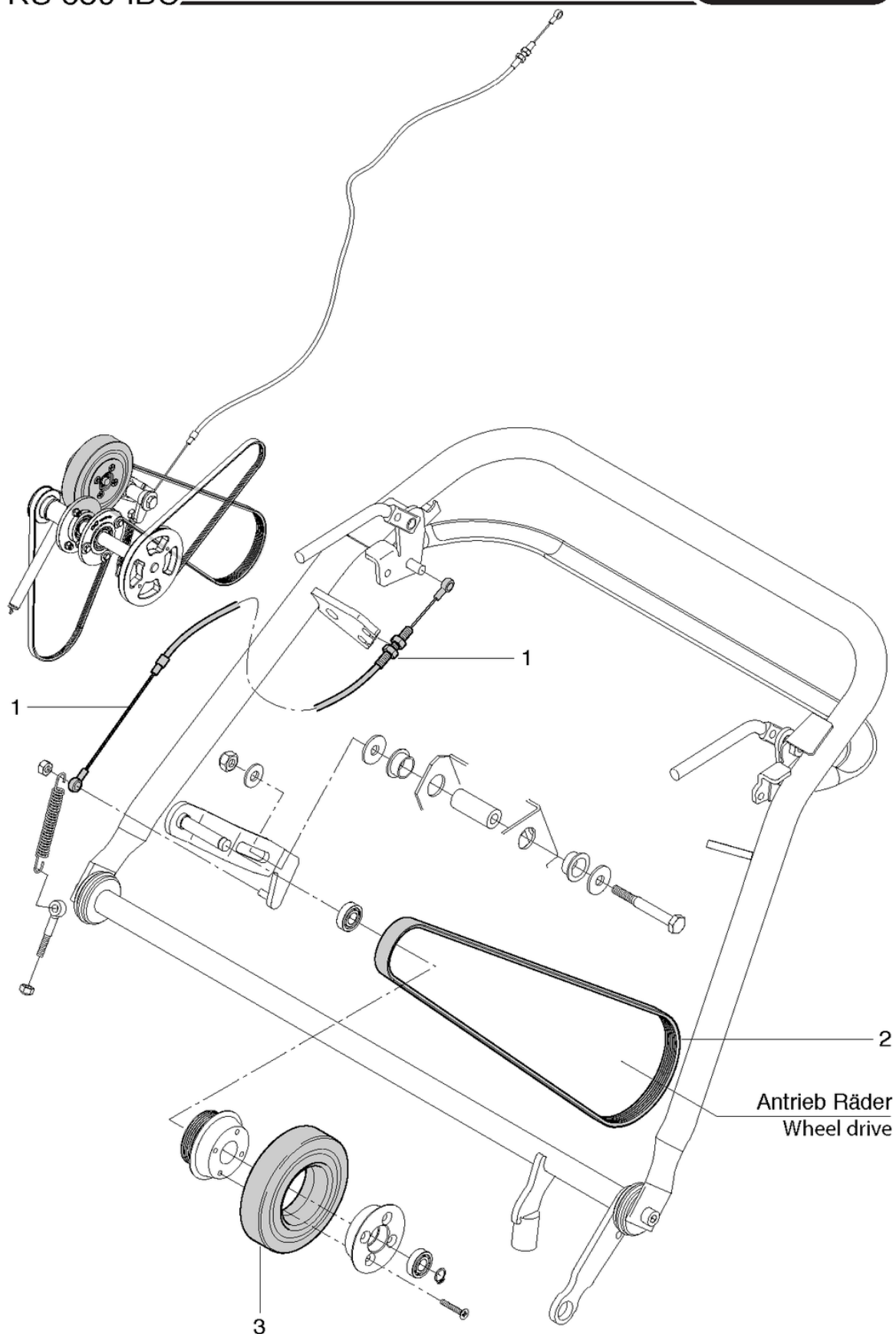
# CLEANFIX KS 650 IBC

## Travel drive-1

PDF created on: 10.11.2023 19:48



KS 650 IBC



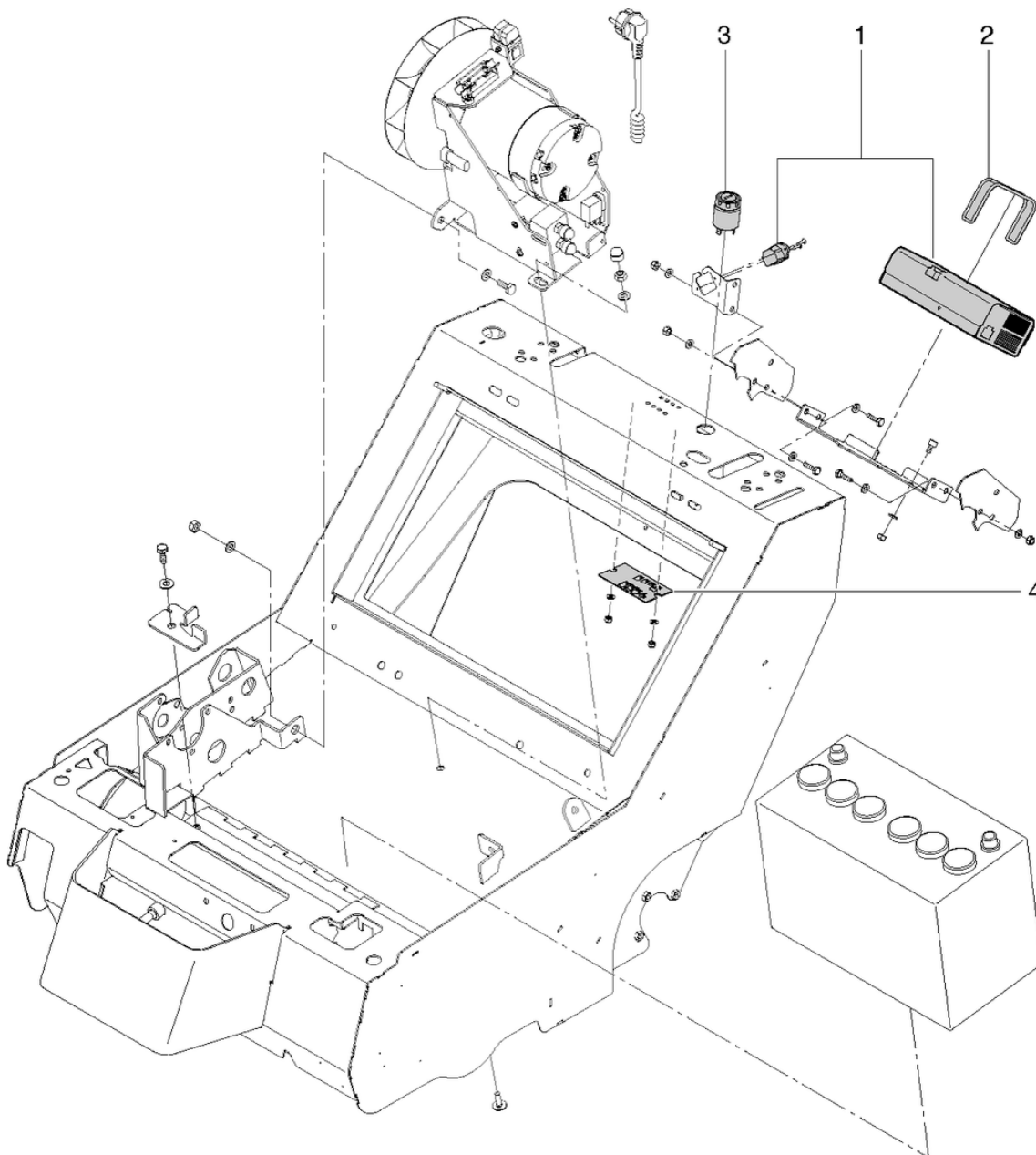
| <b>Pos.</b> | <b>Item no.</b> | <b>Spare part</b>          |
|-------------|-----------------|----------------------------|
| 1           | 065.155         | Bowden Cable (20H00246600) |
| 2           | 065.153         | Ribbed belt 7PJ 1168       |
| 3           | 065.154         | Tyre                       |

# CLEANFIX KS 650 IBC

## Electric equipment 12V

PDF created on: 10.11.2023 19:48

KS 650 IBC



| <b>Pos.</b> | <b>Item no.</b> | <b>Spare part</b>          |
|-------------|-----------------|----------------------------|
| 1           | 065.199         | On-board charger           |
| 2           | 065.200         | Clamping rubber            |
| 3           | 065.141         | Key Switch                 |
| 4           | 065.142         | Discharge signal indicator |

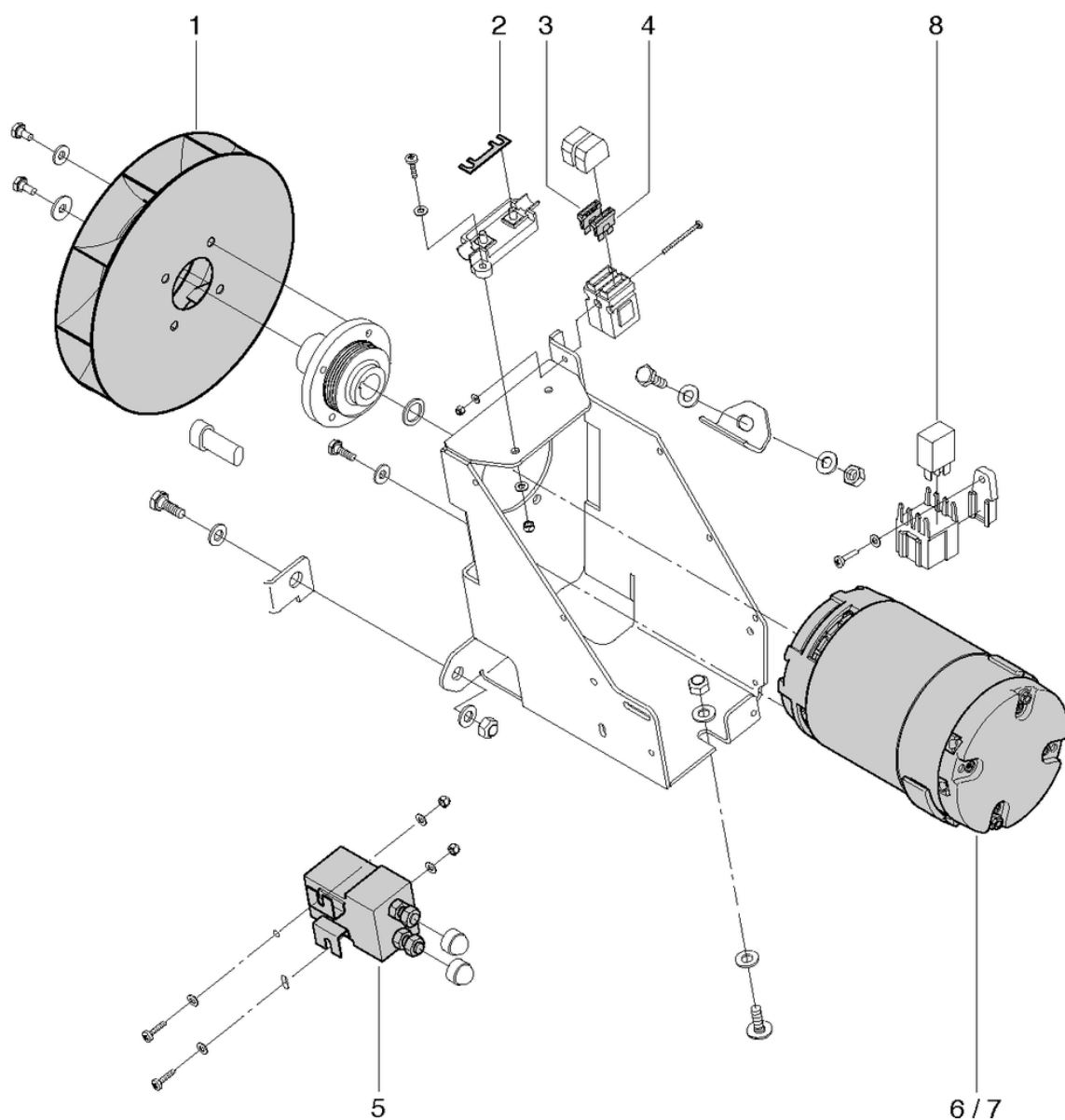
# CLEANFIX KS 650 IBC

## Motor group E 12V

PDF created on: 10.11.2023 19:48



KS 650 IBC





| <b>Pos.</b> | <b>Item no.</b> | <b>Spare part</b>  |
|-------------|-----------------|--------------------|
| 1           | 065.159         | Ventilate wheel    |
| 2           | 065.132         | Fuse (20H01176290) |
| 3           | 065.133         | Fuse insert        |
| 4           | 065.134         | Fuse               |
| 5           | 065.135         | Relay              |
| 6           | 065.140         | Motor 12V, 600 W   |
| 7           | 065.131         | Carbon brushes     |
| 8           | 065.144         | Relay 12V 30 / 10A |

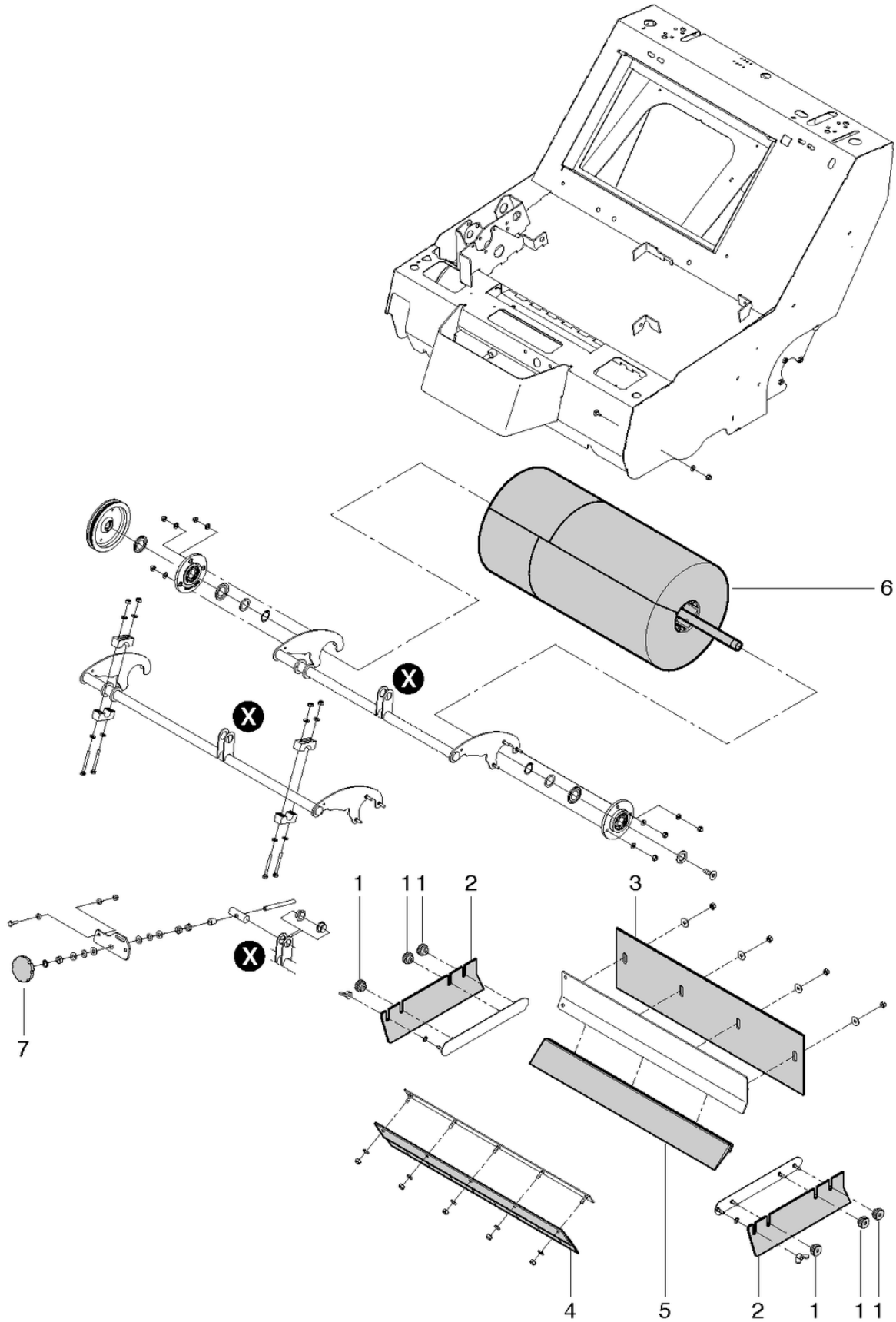
# CLEANFIX KS 650 IBC

## Main sweeper group

PDF created on: 10.11.2023 19:48



KS 650 IBC



| <b>Pos.</b> | <b>Item no.</b> | <b>Spare part</b>   |
|-------------|-----------------|---------------------|
| 1           | 065.176         | Edge mother         |
| 2           | 065.172         | Sealing Strip       |
| 3           | 065.173         | Rapper Strip Rear   |
| 4           | 065.174         | Apron Front         |
| 5           | 065.175         | Front Skirt L=510mm |
| 6           | 065.171         | Main brush roller   |

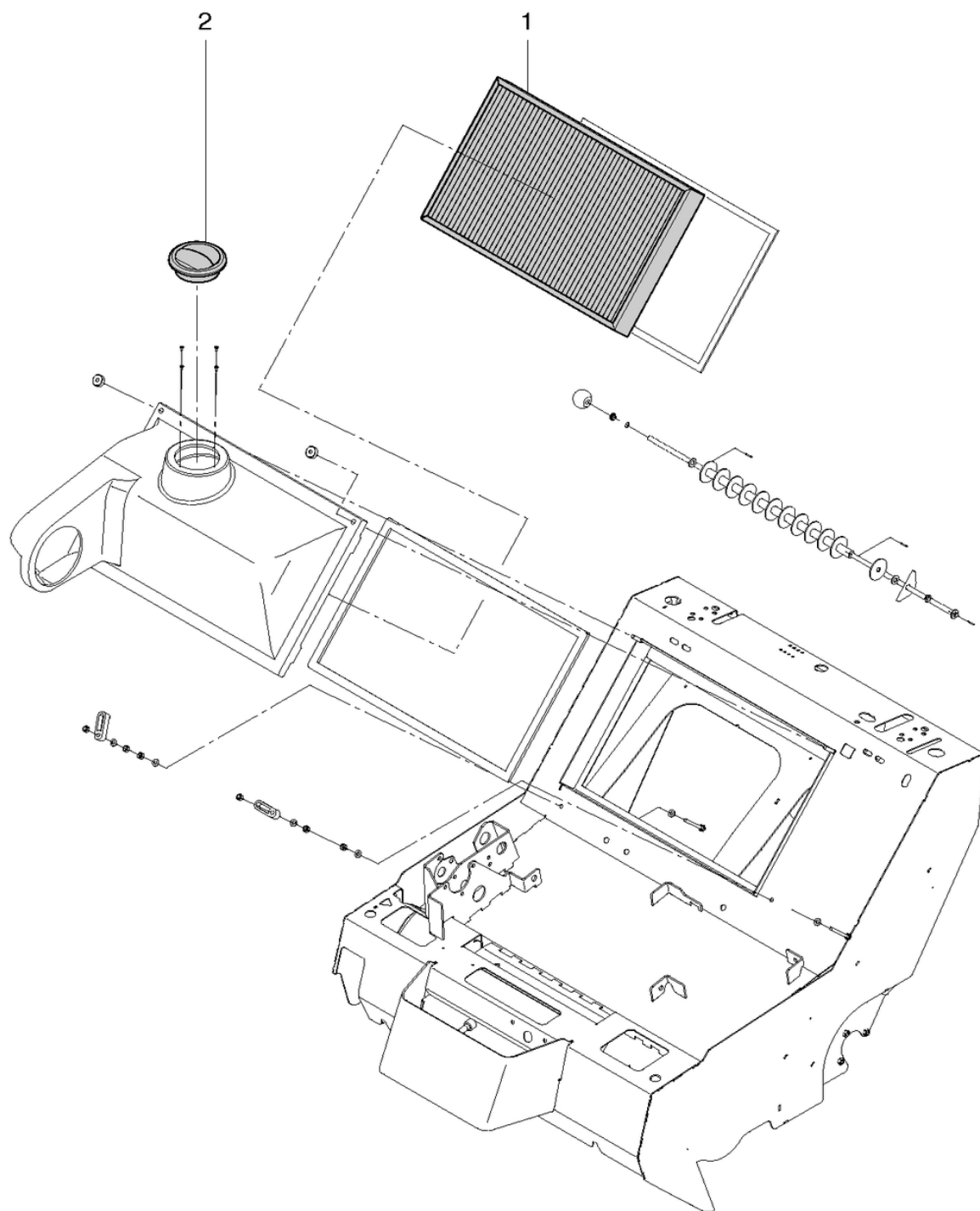
# CLEANFIX KS 650 IBC

## Filter system E

PDF created on: 10.11.2023 19:48



KS 650 IBC



| <b>Pos.</b> | <b>Item no.</b> | <b>Spare part</b> |
|-------------|-----------------|-------------------|
| 1           | 065.181         | Panel Filter      |
| 2           | 065.182         | Air jet           |