

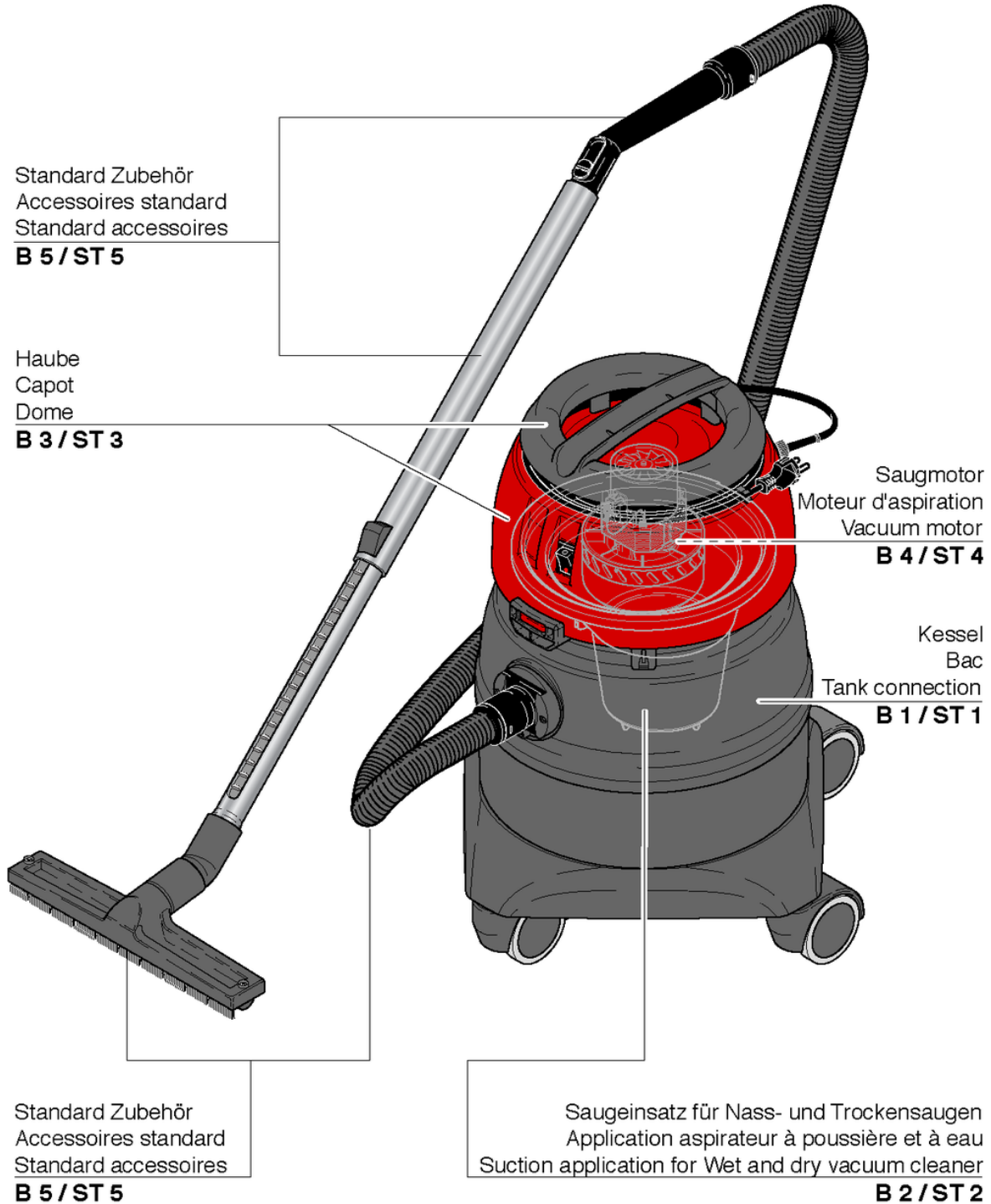
CLEANFIX SW 21 Combi

Contents

PDF created on: 10.11.2023 19:15



SW-21



Stromlaufplan
Diagramme électrique
Wiring diagram
B 6 / ST 6

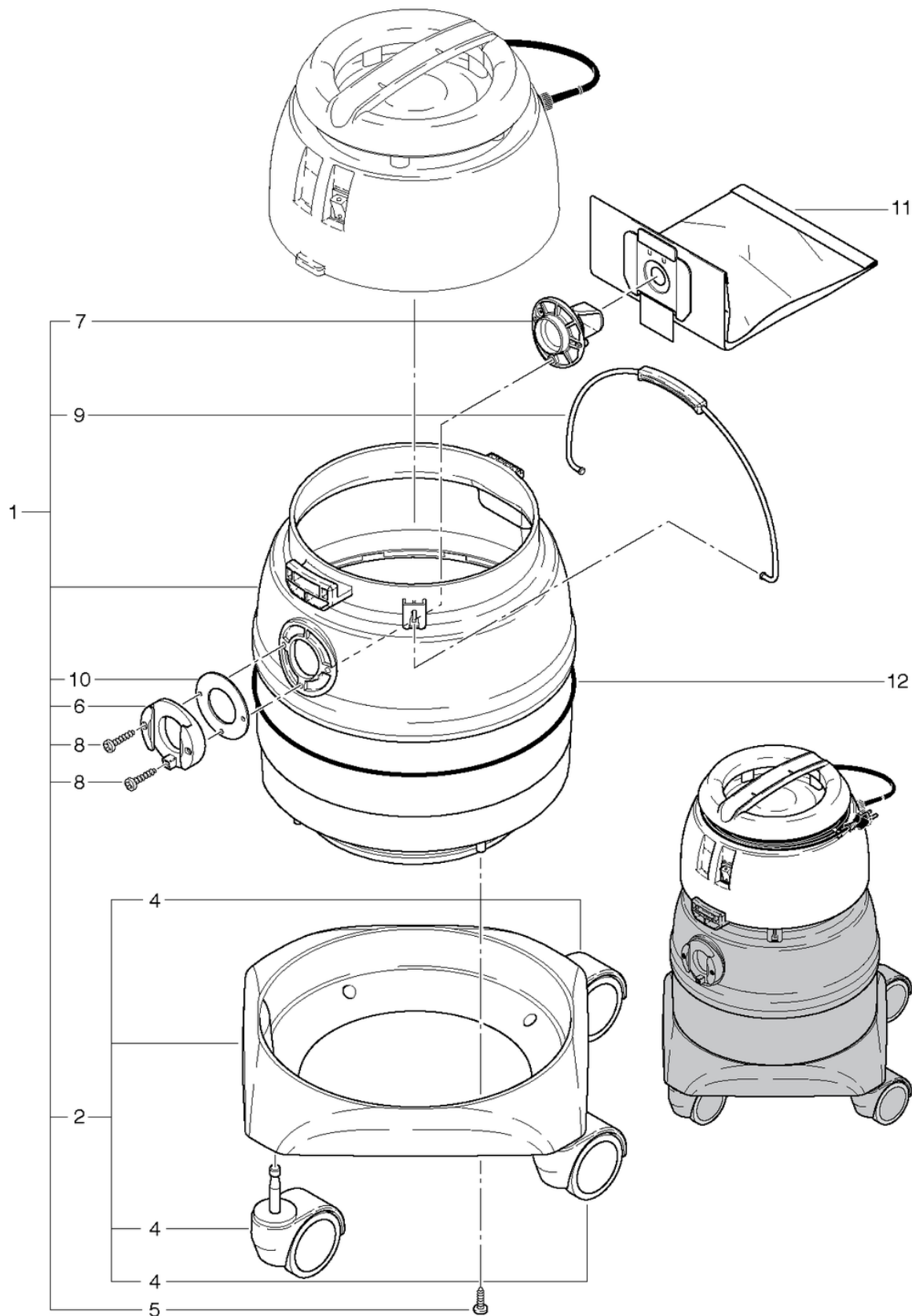
CLEANFIX SW 21 Combi

Tank connection

PDF created on: 10.11.2023 19:15



SW-21



Pos.	Item no.	Spare part
1	014.100	SW21 tank complete
2	014.128	Anthracite gray trolley cpl. with 4 wheels
4	P204G	Caster ø80mm
5	P516H	Screw WN 1451 K50 x 16
6	4012234	Anthracite gray tub connection
7	014.105	Deflectors SW21 anthracite gray
8	P515N	Screw WN 1452 K50 x 35
9	P009	Handle
10	649012512	Seal
11	020.430	Dustbags (10 pieces)
12	014.124	Foam rubber round cord ø 4mm

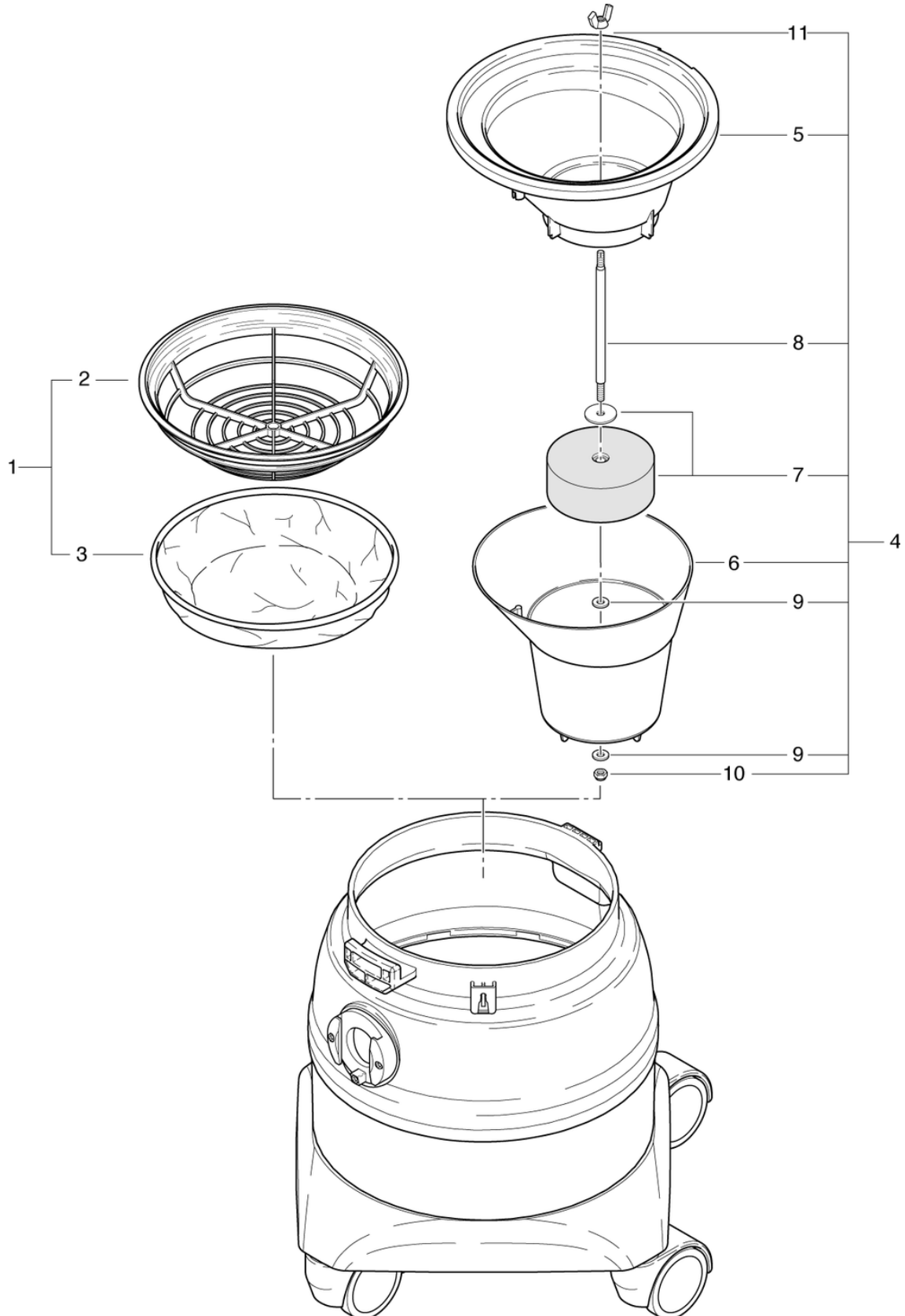
CLEANFIX SW 21 Combi

Suction application for Wet and dry vacuum cleaner

PDF created on: 10.11.2023 19:15



SW-21



Pos.	Item no.	Spare part
1	20122519	Dustbag basket with filter cpl.
2	4012186	Filter Cartridge
3	020.320	Filter cloth
4	014.600	Float insert cpl.
5	014.622	Carrier wet suction
6	014.623	Float cover
7	014.620	Float Assembly
8	014.624	Float rod
9	P497K	Washer DIN 125 A M6 6,4/12/1,6 A2
10	P492K	Nut DIN 985 M6 A2
11	P253L	Wing nut Ø34 M6 through thread

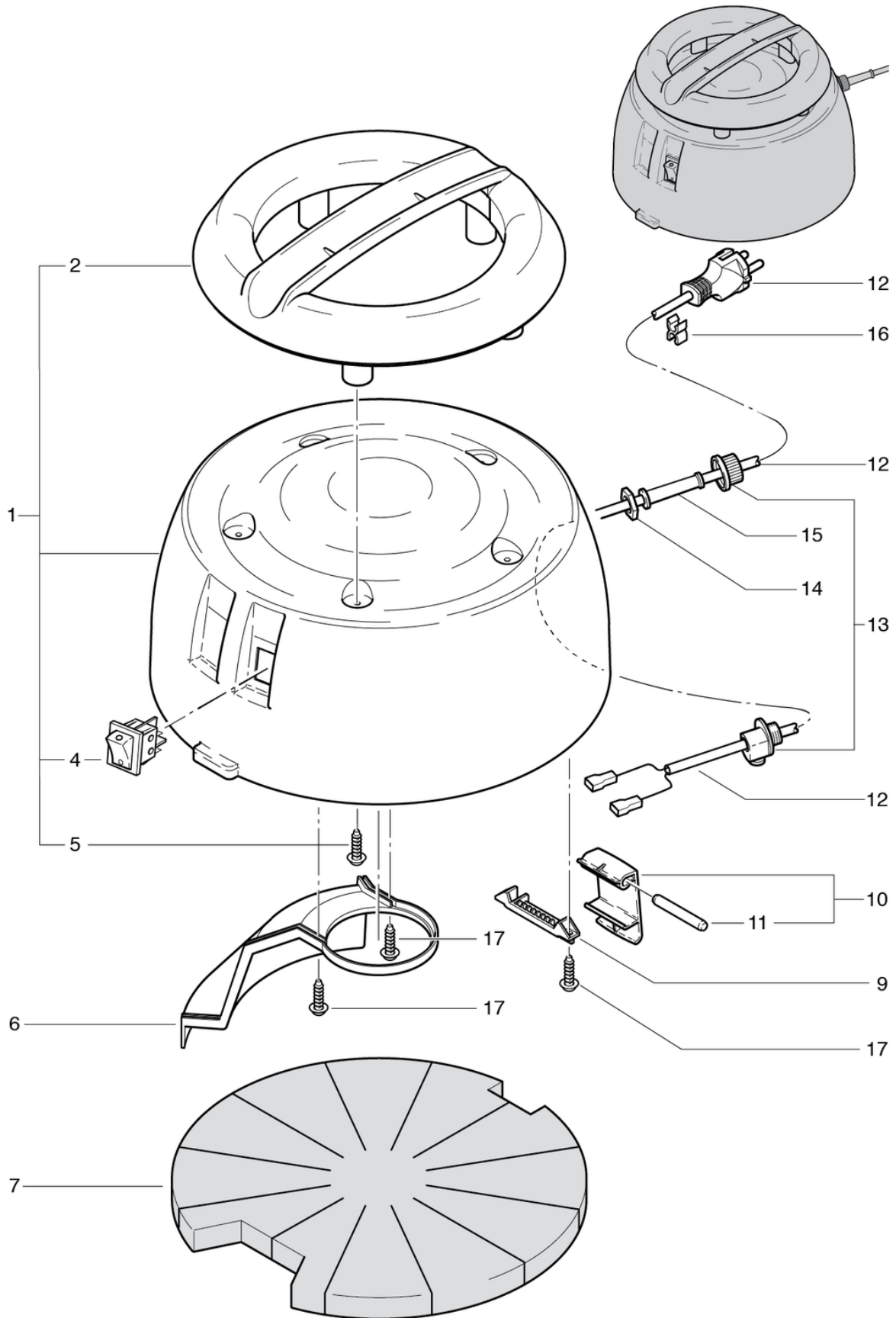
CLEANFIX SW 21 Combi

Dome

PDF created on: 10.11.2023 19:15



SW-21



Pos.	Item no.	Spare part
1	021.203	Cover compl. red printed
2	022.112	Handle
4	P240	Rocker switch orange 230V
5	P516G	Screw WN 1451 K40 x 16
6	020.213	Air canal
7	021.206	Noise absorber
9	022.114	Pin Hold
10	020.116	Seal lever complete
11	022.115	Pin
12	P287A	Main cable SEV 2 x 1,0mm ² , 10m
12	P288A	Mains cable VDE 2 x 1.0mm ² , 10m
13	P279	2-part strain relief clamp
14	P279H	Lock nut PG9 brass nickel-plated
15	P280	Cable grommet
16	P278	Cable - clips gray
17	P516C	Screw WN 1452 K40 x 16

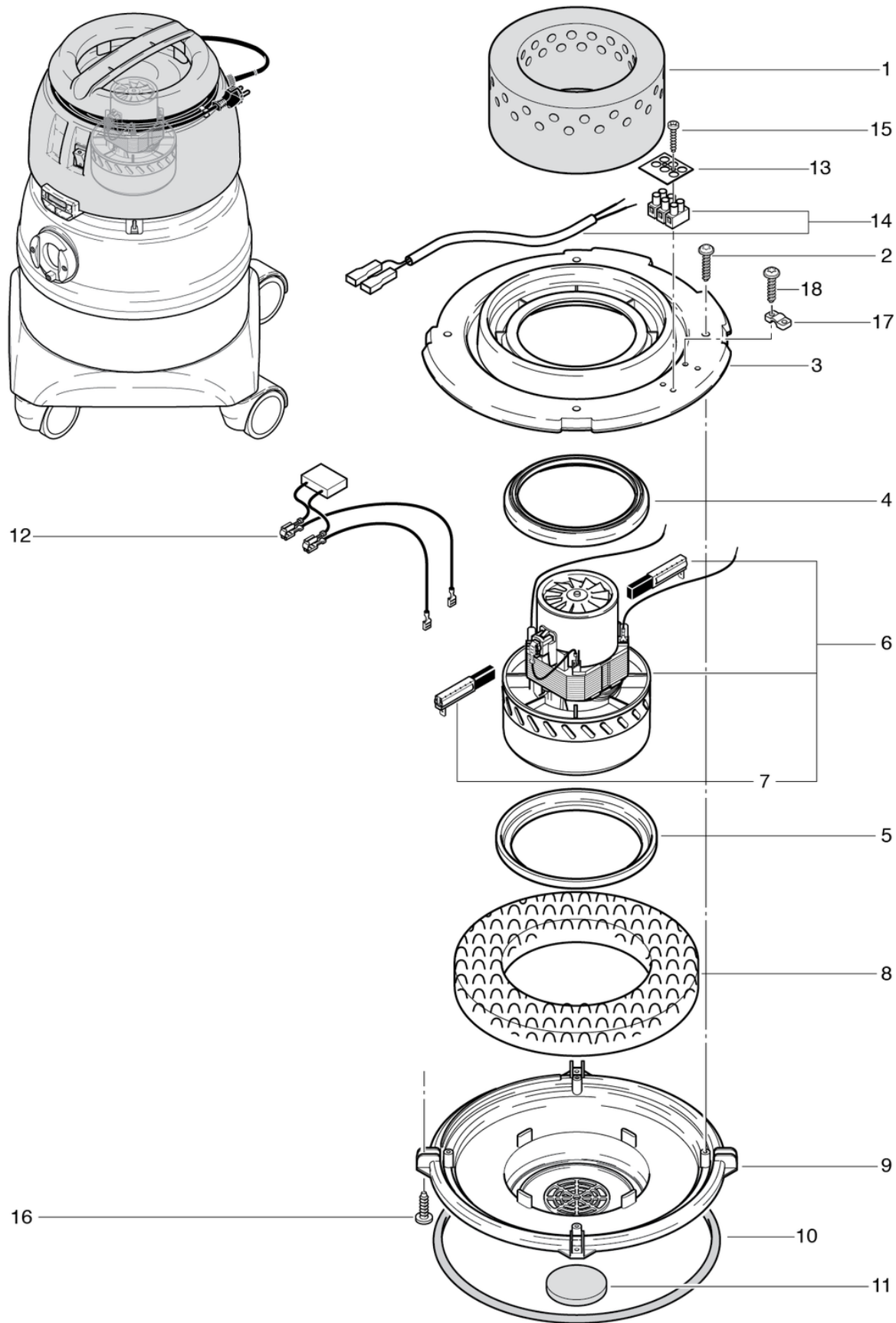
CLEANFIX SW 21 Combi

Vacuum motor

PDF created on: 10.11.2023 19:15



SW-21



Pos.	Item no.	Spare part
1	020.211	Motor sound insulation
2	P515X	Screw WN 1452 K40 x 20
3	020.303	Holding plate
4	012.133	Seal for Motor S10/12
5	P971H	Turbine sealing
6	P870E	Suction motor 230V/50Hz 1000 W bp
7	P870KB	Carbon brushes (pair) OEP
8	020.309	Isolation Ring
9	020.308	Reinforcement Piece
10	020.304	Boiler seal
11	022.134	Air Filter for Motor
12	022.143	Cable harness suction engine incl. interference suppression capacitor
13	P390	Marking plate
14	020.307	Cable harness with clamp
15	P516E	Screw WN 1451 K30 x 20
16	P517A	Screw WN 1452 K40 x 35
17	4611085	Cable Clamp
18	P515Z	Screw WN 1452 K50 x 16

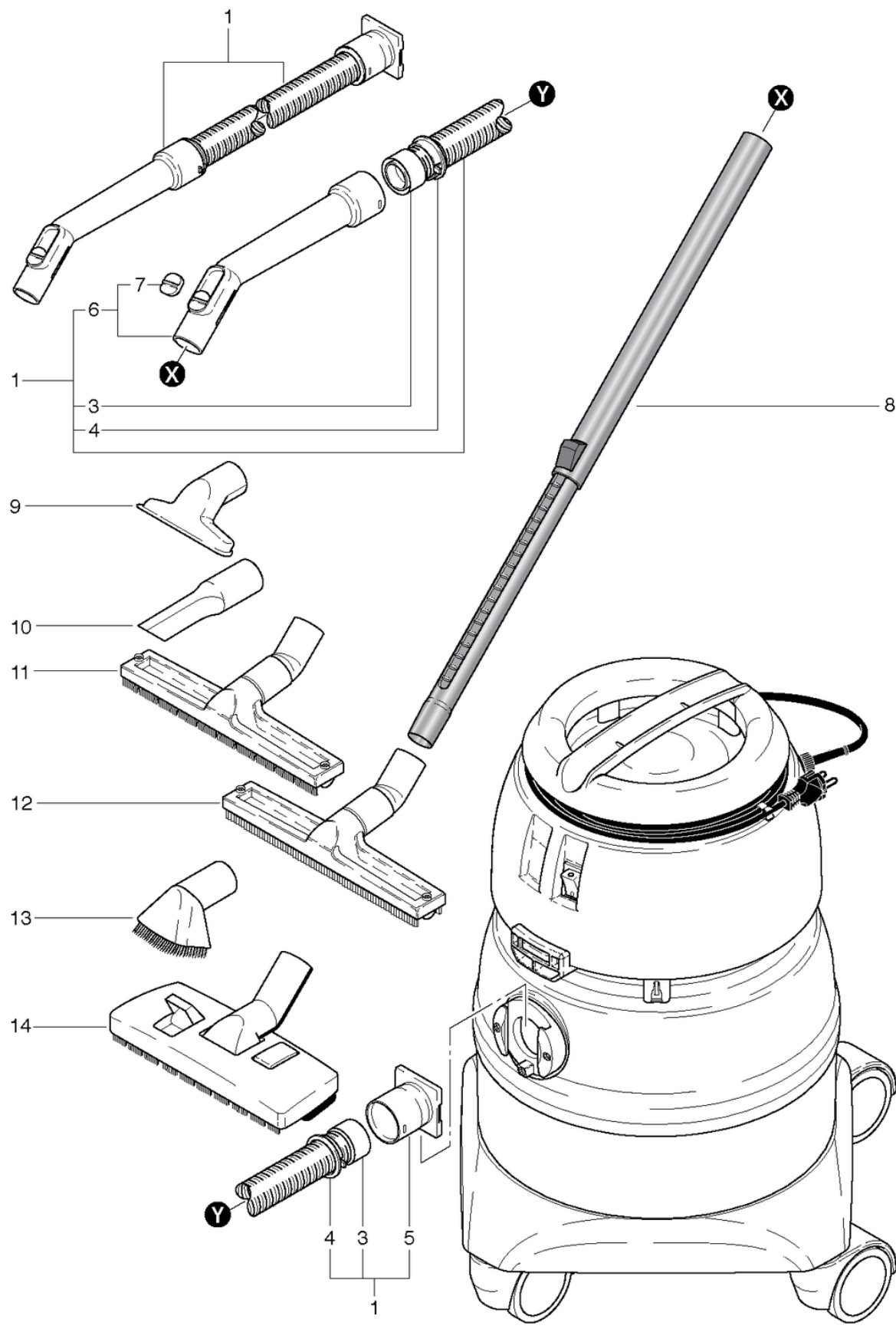
CLEANFIX SW 21 Combi

Accessoires

PDF created on: 10.11.2023 19:15



SW-21



Pos.	Item no.	Spare part
1	020.567	Suction hose 3m, with hand tube
3	P583	Support ring for screw on ø32
4	P578	Click ring gray
5	012.570	Hose End Connector
6	900.670	Hand tube with defective air flap and slide
7	P581B	Slide
8	022.015A	Telescope vacuuming tube inox
9	645.004	Upholstery nozzle
10	645.006	Rubber crevice tool
11	646.200	Hard floor nozzle with brush strip, 30cm
12	646.100	Water suction nozzle, 30cm
13	645.005	Dropery brush
14	645.103	Combi nozzle

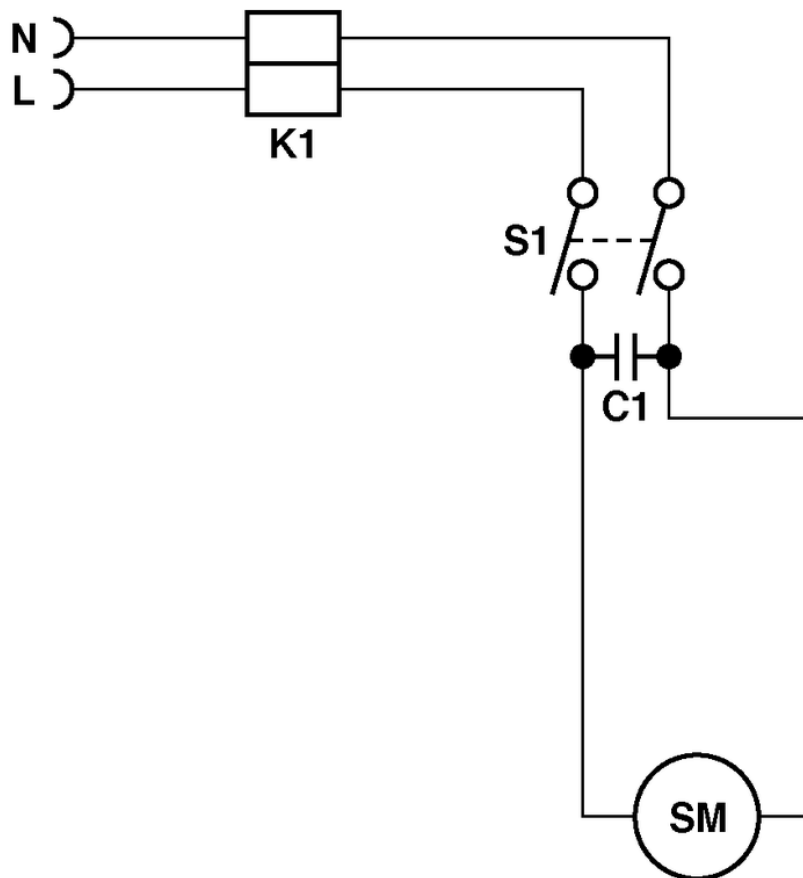
CLEANFIX SW 21 Combi

Wiring diagram

PDF created on: 10.11.2023 19:15



SW-21



- K1 = Reihenklemme / Serre-fil / Cable clamp
- S1 = Wippenschalter / Interrupteur / Tumbler switch
- C1 = Kondensator / Condensateur / Capacitor 0.15 F
- SM = Saugmotor / Moteur d'aspiration / Vacuum motor