

CLEANFIX TW 1250

Contents

PDF created on: 10.11.2023 19:22



TW 1250

Schmutz- und Frischwassertank
 Recipient d'eau sale et Recipient d'eau propre
 Waste water tank and Clean water tank

B 1 / ST 1

Haltebügel
 Poignée
 Handle

B 4 / ST 4

Einbau Pumpe
 Montage de la pompe
 Pump assembling

B 2 / ST 2

Netzzuleitung
 Cable d'alimentation
 Electrical connection

B 6 / ST 6

FZP-Pumpe
 FZP-Pompe
 FZP-Pump

B 2a / ST 2a

Einbau Saugmotor
 Moteur de la moteur d'aspiration
 Vacuum motor assembling

B 5 / ST 5

Chassis und Laufrad
 Chassis et Roue
 Chassis and Wheel

B 3 / ST 3

Netzzuleitung
 Cable d'alimentation
 Electrical connection

B 6 / ST 6

Teppichadapter
 Adapteur tapis
 Carpet tool

B 7 / ST 7

Saug-Sprühschlauch
 Tuyau d'asp. et pression
 Spray and suction hose

B 8 / ST 8

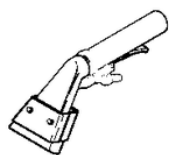
Stromlaufplan
 Diagramme électrique
 Wiring diagram

B 9 / ST 9

Sonderzubehör / Accessoires

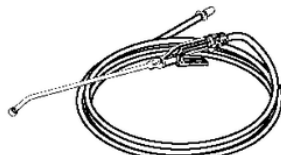
Wand- und
 Deckendüse
 Suceur inj/
 extr. Parois
 Spray nozzle
 for walls

B 10 / ST 10



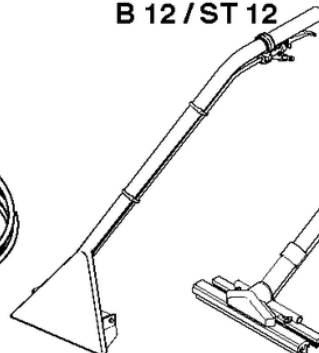
Vorsprühlanze
 mit Schlauch
 Lance d'inject.
 avec tuyau
 Spray nozzle
 with hose

B 11 / ST 11



Teppichadapter 5 Düsen
 Adapteur tapis, 5-gicleur
 Carpet adaptor, 5-nozzles

B 12 / ST 12



Hartbodenadapter
 Adapteur pour les sols durs
 Hard floor attachment

B 13 / ST 13

Polsteradapter
 Adapteur pour
 ameublements
 Upholstery tool

B 14 / ST 14



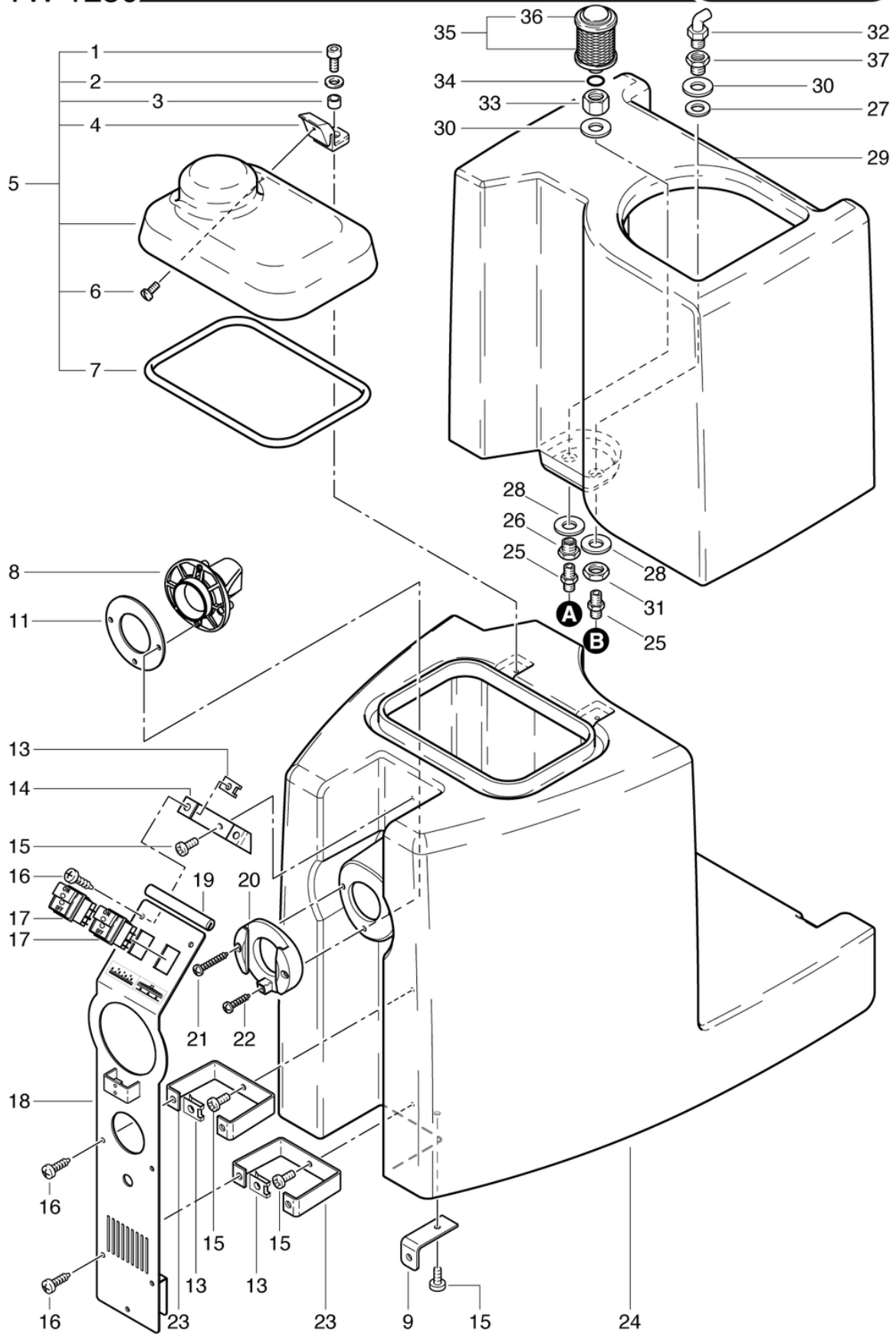
CLEANFIX TW 1250

Waste water tank and Clean water tank

PDF created on: 10.11.2023 19:22



TW 1250



Pos.	Item no.	Spare part
1	P488B	Screw DIN 912 M5 x 12 A2
2	P497K	Washer DIN 125 A M6 6,4/12/1,6 A2
3	430.618	Distance ring $\varnothing 7/5 \times 5,5$
4	710.122	Rubber Hinge
5	124.350	Hood cpl.
6	P4800	Screw DIN 965 M4 x 8 A2
7	124.315	Cover Seal
8	014.105	Deflectors SW21 anthracite gray
9	124.304	Corner
11	649012512	Seal
13	P494C	Nut 4.8 / 3 - 3.9 St vz
14	124.311	Upper fixation
15	P476P	Screw DIN 7985 M6 x 12
16	P4830	Screw DIN 7981 TX25 C 4,8 x 19 A2
17	P240	Rocker switch orange 230V
18	125.104	Covering plate
19	124.323	Foam rubber profile 0.1m
20	4012234	Anthracite gray tub connection
21	P515N	Screw WN 1452 K50 x 35
22	P515E	Screw WN 1452 K50 x 30
23	124.312	Holder
24	124.301	Waste water tank red
25	P520C	Double fitting 1/4" AG
26	P535A	Hollow nipple 3/8 - 1/4 x 20 Ms
27	P097A	Sealing shim to 3/8
28	P510N	Shim DIN 125 A M16 17/30/3
29	125.201	Clean water tank red
30	P097	Sealing shim 30/17/2 PE
31	P535B	Nut 3/8 Ms
32	P541H	Elbow nipple WES 8 / R1 / 4
33	P535C	Socket nut SW22 G3 / 8 Ms
34	P960N	Ring DIN 3771 15/2 NBR
35	P103	Fresh water filter HD
36	P499L	Ring Starlock 12 A2 with cap
37	P535J	Hollow nipple G3 / 8 - 1/4 Ms

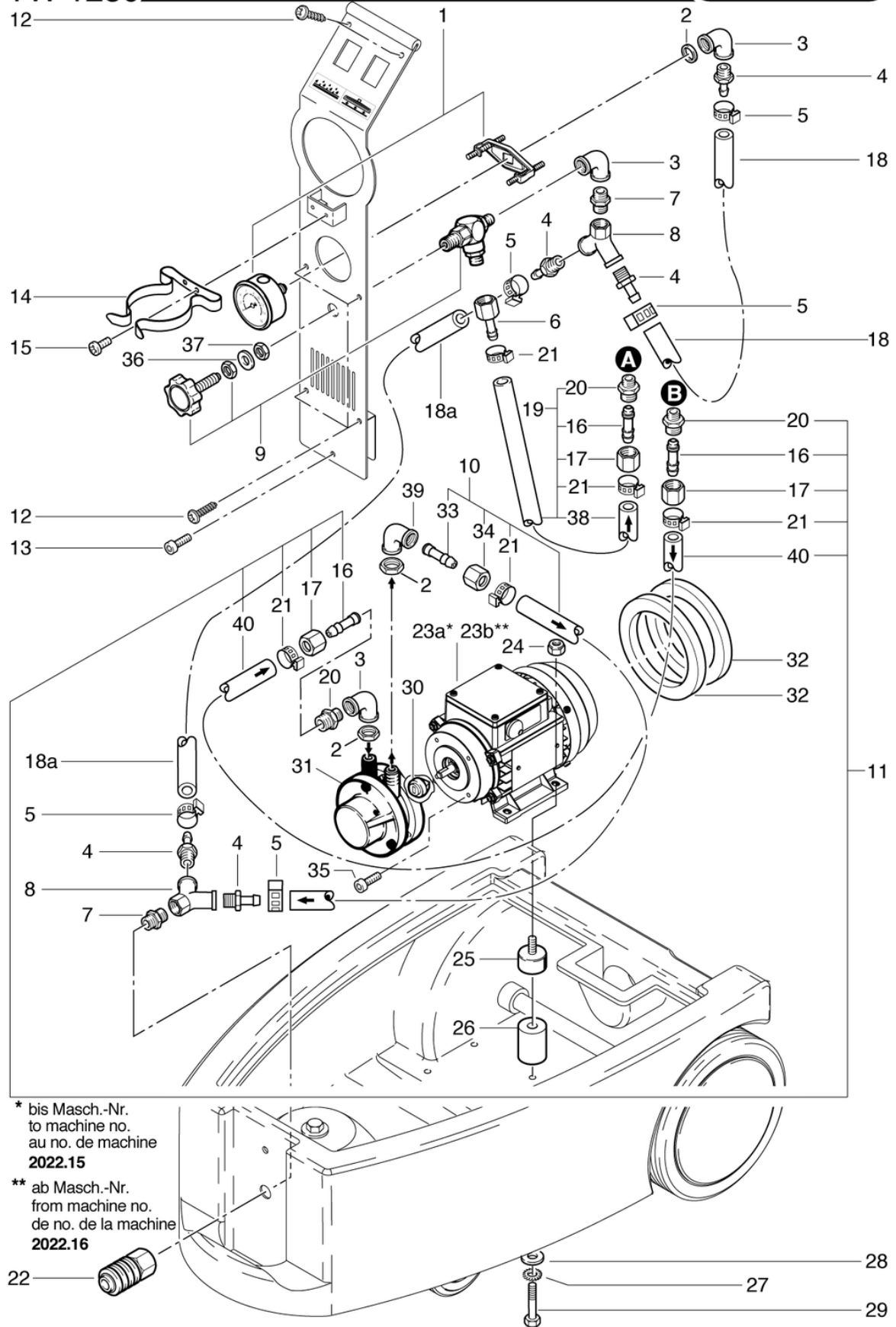
CLEANFIX TW 1250

Pump assembling

PDF created on: 10.11.2023 19:22



TW 1250



* bis Masch.-Nr.
to machine no.
au no. de machine
2022.15

** ab Masch.-Nr.
from machine no.
de no. de la machine
2022.16

Pos.	Item no.	Spare part
1	P252A	Manometer 0-16 bar
2	P535V	Counter nut 1/4 brass
3	P531B	Angle IG 1/4
4	P524F	Hose nipple NW8 - 1/4 AG Ms
5	P550C	Hose clamp 17.0-706R
6	P525K	Hose nipple NW8-1 / 4 Ms
7	P520C	Double fitting 1/4" AG
8	125.103	Y-piece 1/4
9	P256	By pass valve 3/8"
10	125.106	Pressure hose Pump - coupling 0,43m
11	125.105	Suction hose 0.8m cpl.
12	P4830	Screw DIN 7981 TX25 C 4,8 x 19 A2
13	P486P	Screw DIN 912 M6 x 20
14	124.314	Spring clip
15	P481P	Screw DIN 7985 M4 x 8
16	P522F	Hose nozzle 3/8 10mm 14,5 x 45
17	P523E	Sleeved nut 3/8
18a	125.116	Pressure hose 1.22m
18	125.117	Pressure hose 0.26m
19	125.105A	Suction hose 0.6m cpl.
20	P521C	Double nipple A 1/4,Äú-A 3/8,Äú
21	P551Q	Hose clamp 018.5-706R
22	380.045	Coupling G 1/4
23a	P220	Conversion kit FZP pump motor
23b	P220N	Electric motor for FZP pump 230V 50 / 60 Hz
24	P492K	Nut DIN 985 M6 A2
25	060.241	Round buffer M6 x 15, ø 20 x 15, M6 female thread
26	125.102	Distance piece
27	P499D	Shim DIN 6798 M6 6,4/11/0,7 A2
28	P497H	Washer DIN 9021 M6 6,4/18/1,6 A2
29	P472Y	Screw DIN 933 M6 x 45 A2
30	P804	Shaft coupling
31	P802	FZP-Pump with seals Viton
32	P013	Sealing ring 103/77 x 10mm
33	P522C	Hexagon screw LW8-1/4,Äú
34	P522G	Sleeved nut
35	P486I	Screw DIN 7984 M5 x 16 galvanized
36	P499AB	Shim DIN 137 B M8 8,4/15/1,5 A2
37	P490E	Nut DIN 934 M8
38	125.114	Low pressure hose 0.6m
39	P533B	Angled connector G 1/4,Äô,Äô

Pos.	Item no.	Spare part
40	125.113	Low pressure hose cut to length 0.8m

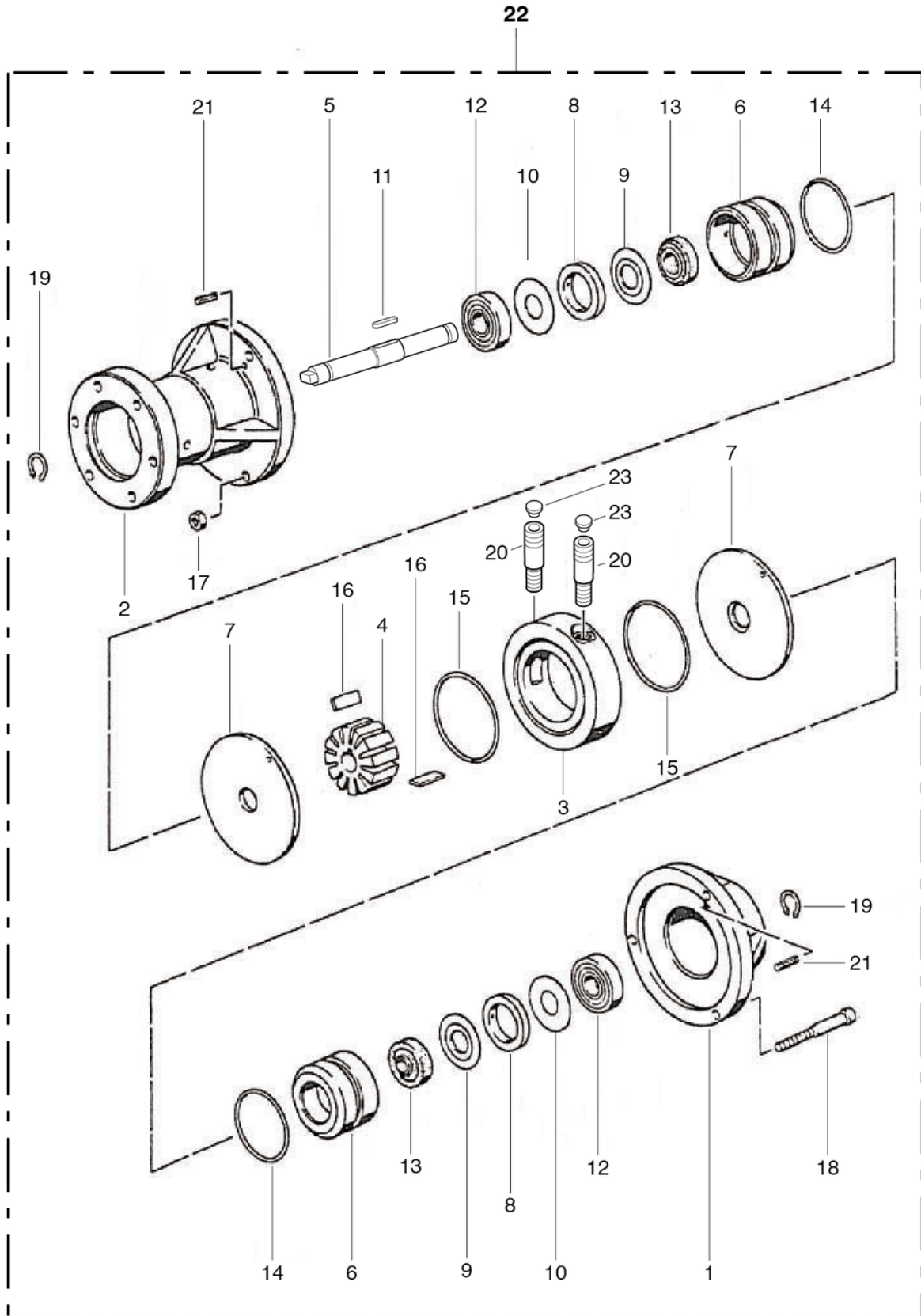
CLEANFIX TW 1250

Pump assembling

PDF created on: 10.11.2023 19:22



TW 1250



Pos.	Item no.	Spare part
1	807.200	Front end shield
2	807.210	Back end shield
3	801.006A	Eccentric ring
4	801.003	Runner $\varnothing 36 \times 22\text{mm} / \varnothing 11\text{mm}$
5	801.004AA	Wave FZP 1/18 $\varnothing 11$
6	807.260	Bearing bush $\varnothing 37.8 \times 27$
7	807.280	Side shim compl. $68 \times 3,5\text{mm}$
8	P499U	Distance ring 30×4
9	P499W	Rondelle $30 \times 1,8$
10	P499V	Shim $\varnothing 29.8 \times 1,5$
11	P319N	Spring wedge DIN 6885 A 3/3/16 A4
12	P316B	Deep groove ball bearing 6200 $\varnothing 30 / 10 \times 9$
13	P317H	Radial rotary shaft seal $24/10 \times 7\text{mm}$ Viton
14	P961R	Ring DIN 3771 $34,00/2$ NBR HITEC
15	P961W	Ring DIN 3771 $47,00/1,5$ NBR HITEC
16	807.320	Carbon slide $7 \times 2 \times 17,8\text{mm}$
17	P490C	Hexagon nut DIN 934 M5
18	P486N	Screw DIN 912 M5 $\times 40$ with shaft
19	P513C	Ring DIN 471 $10/1,0$
20	801.009	Nipple $\varnothing 13 \times 40\text{mm}$
21	P512R	Pin ISO 8752 3×10 A2
22	P802	FZP-Pump with seals Viton
23	P171T	sealing plug $9/14\text{mm}$

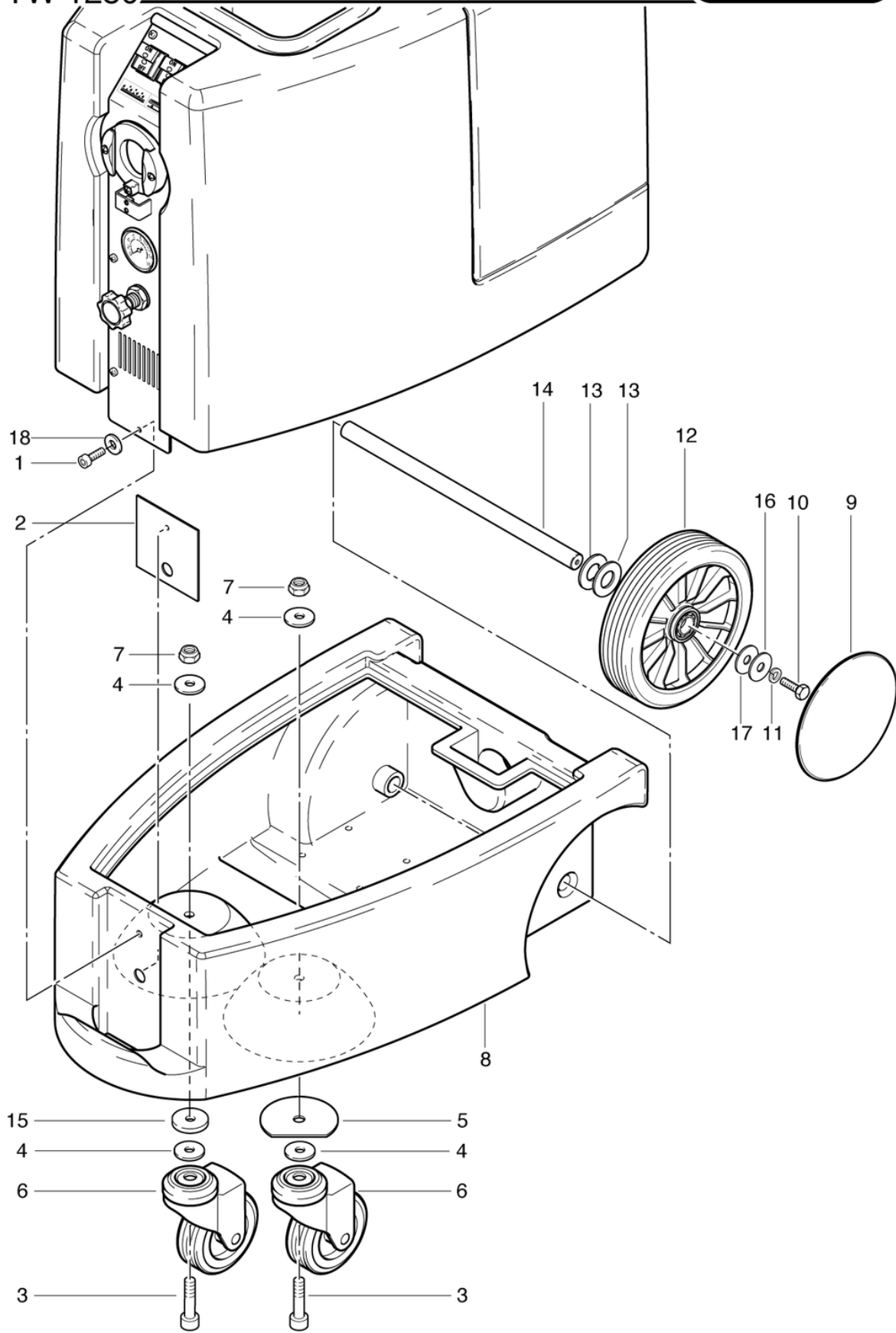
CLEANFIX TW 1250

Chassis and Wheel

PDF created on: 10.11.2023 19:22



TW 1250



Pos.	Item no.	Spare part
1	P486P	Screw DIN 912 M6 x 20
2	124.111	Plate for closure
3	P487N	Screw DIN 912 M10 x 45 with shaft
4	P496S	Washer DIN 9021 M10 10,5/30/2,5 A2
5	124.113	Subject plate
6	530.225	Castor 100mm
7	P492Q	Nut DIN 985 M10
8	124.101	Chassis
9	530.242	Wheel Cover Red
10	P472R	Screw DIN 933 M6 x 12 A2
11	P498U	Ring DIN 127 B M6 6,1/11,8/1,6 A2
12	530.240	wheel ø226 x 53 including bearings
13	P499WW	Shim DIN 988 20/32/0,5
14	124.102	Wheel axle ø20 x 395mm
15	124.103	Reinforcement shim
16	P510L	Washer DIN 522 M6 6,4/25/1,5 A2
17	P497H	Washer DIN 9021 M6 6,4/18/1,6 A2
18	P510E	Shim DIN 9021 M6 6,4/18/1,6 PA6.6

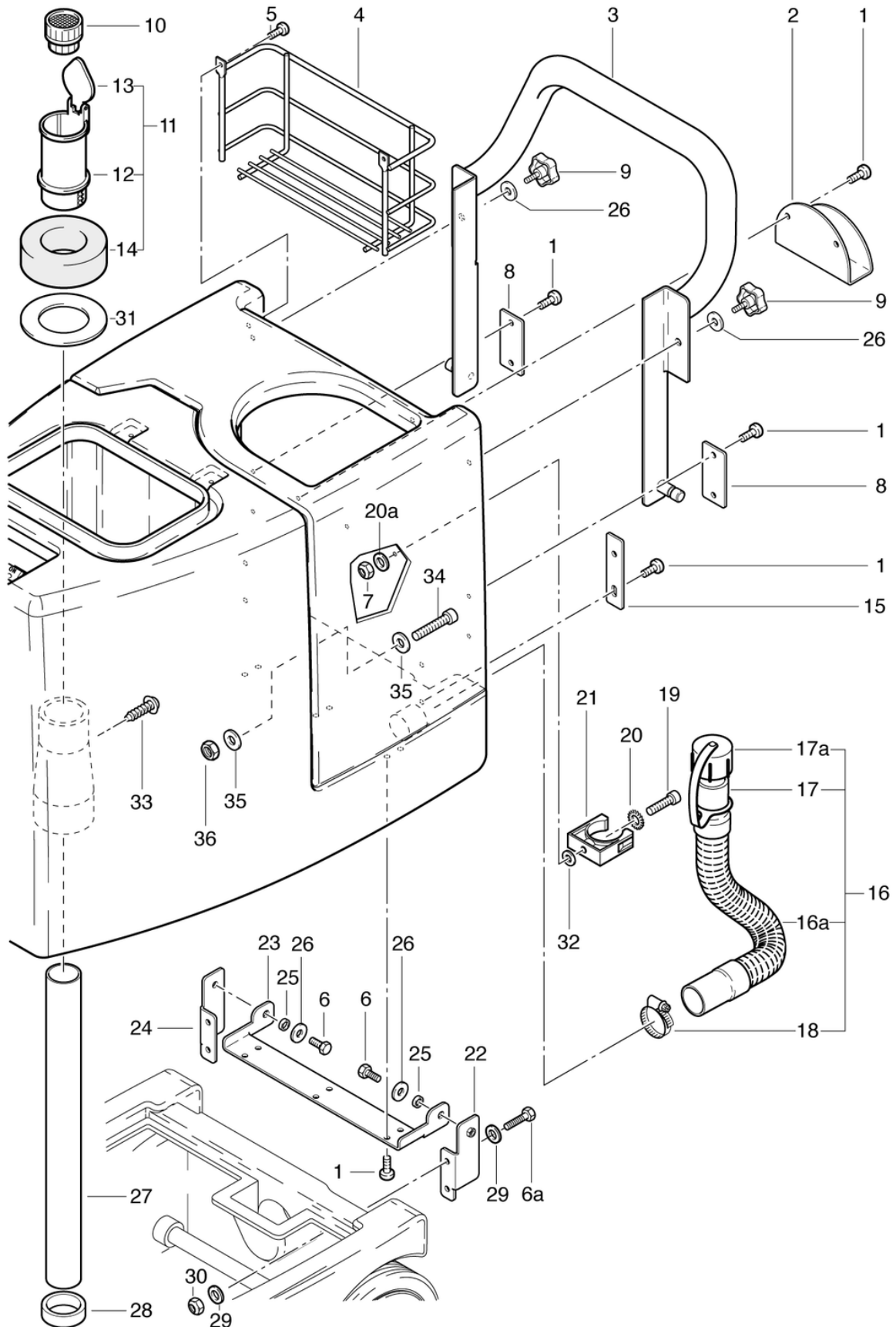
CLEANFIX TW 1250

Handle

PDF created on: 10.11.2023 19:22



TW 1250



Pos.	Item no.	Spare part
1	P476P	Screw DIN 7985 M6 x 12
2	124.205	Cable support
3	124.202	Handle compl.
4	124.204	Basket for material
5	P481P	Screw DIN 7985 M4 x 8
6a	P472U	Screw DIN 933 M6 x 25 A2
6	P472R	Screw DIN 933 M6 x 12 A2
7	P493G	Nut DIN 985 M5
8	124.207	Support
9	124.208	Star handle ø32 M6 x 20
10	P071	Suction pipe screen
11	124.306	Float cpl.
12	P074B	Float tube
13	P076D	Cover of the float
14	124.318	Body for float
15	124.206	Connecting piece
16a	420.741	Drain Hose RA430B
16	420.740	Drain hose cpl.
17a	432.110	Cover for Execution
17	500.409A	Hose sleeve 45 x 25 x 80mm
18	P553R	Hose clamp 039.6-706R
19	P488I	Screw DIN 912 M5 x 20 A2
20a	P497Q	Shim DIN 9021 M5 5,3/15/1,2 PA6.6
20	P496H	Shim DIN 125 A M5 5,3/10/1
21	P109A	Hose holder anthracite
22	124.309	Left hinge
23	124.307	Lower part of hinge
24	124.310	Right hinge
25	124.308	Distance ring ø8/6 x 4
26	P497H	Washer DIN 9021 M6 6,4/18/1,6 A2
27	124.316	Suction tube
28	124.305	Guide sleeve
29	P496K	Shim DIN 125 A M6 6,4/12/1,6
30	P492K	Nut DIN 985 M6 A2
31	125.305	Float support
32	P499C	Shim DIN 6798 A M5 5,3/10/0,6
33	P483G	Screw DIN 7981 C 2,9 x 9,5
34	P488S	Screw DIN 912 M6 x 30 A2
35	P510E	Shim DIN 9021 M6 6,4/18/1,6 PA6.6
36	P491E	Nut DIN 934 M6 A2

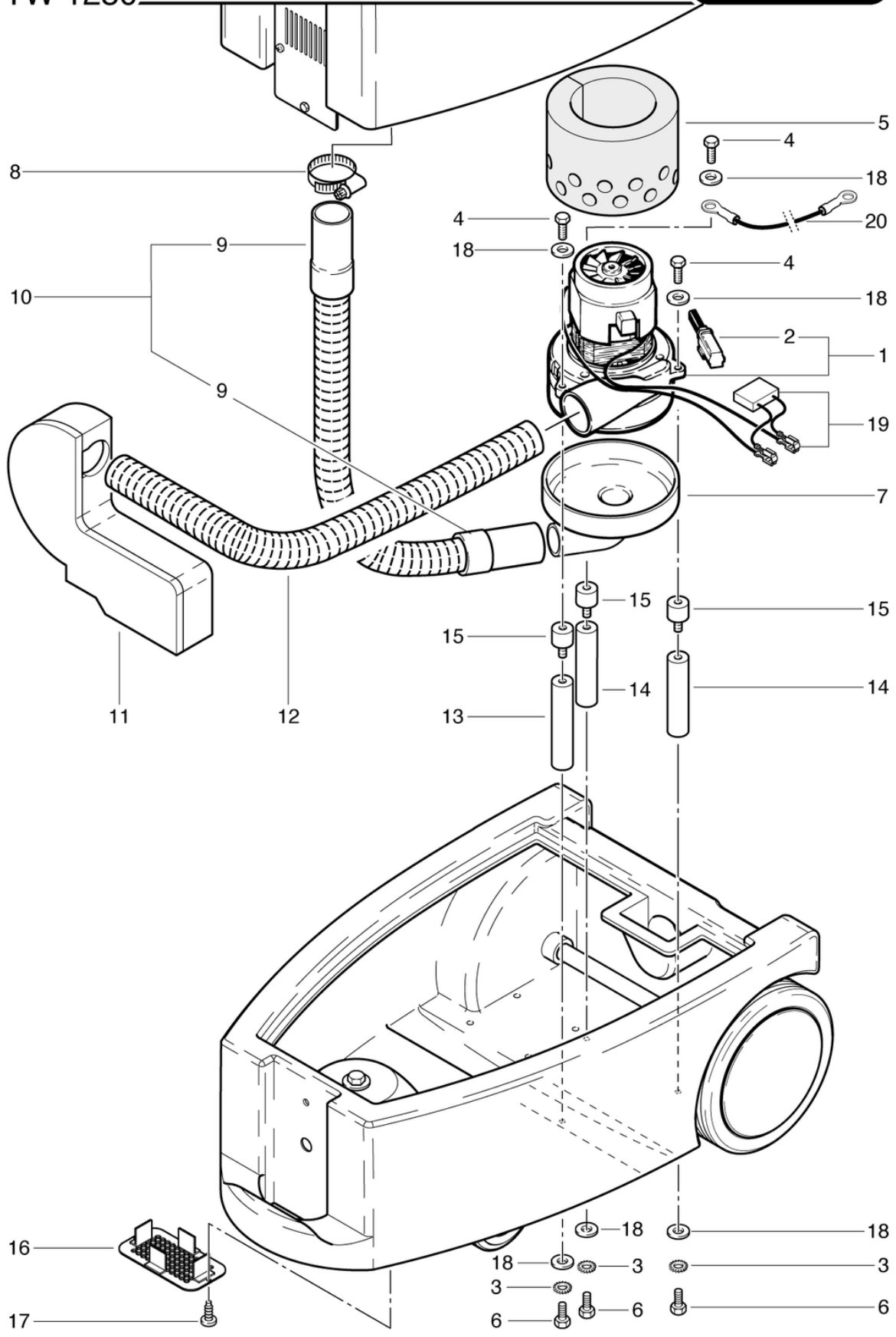
CLEANFIX TW 1250

Vacuum motor assembling

PDF created on: 10.11.2023 19:22



TW 1250

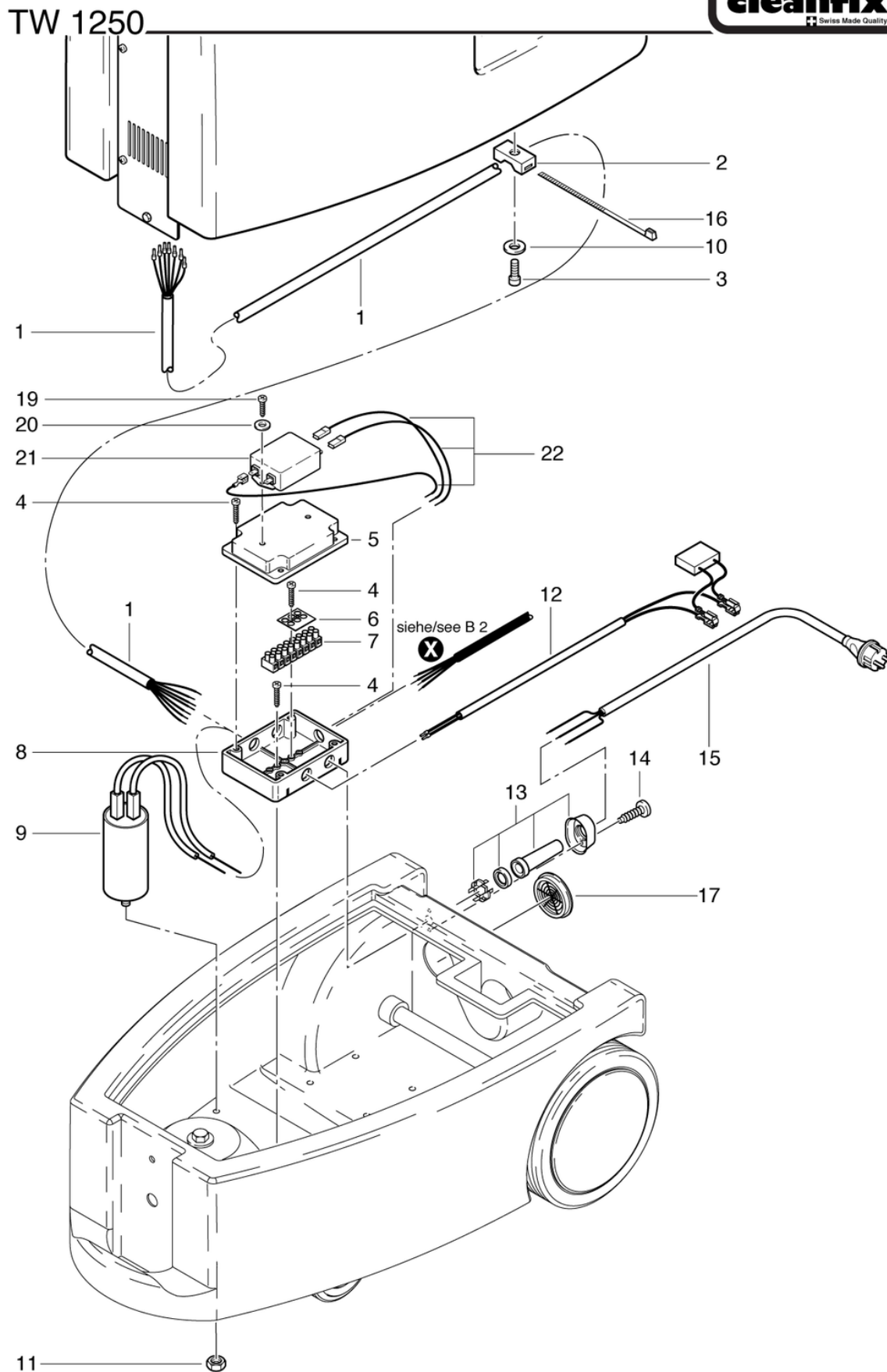


Pos.	Item no.	Spare part
1	124.150	Vac Motor TW1250
2	124.150KH	brush coals
3	P499D	Shim DIN 6798 M6 6,4/11/0,7 A2
4	P472R	Screw DIN 933 M6 x 12 A2
5	530.737	Sound Damping
6	P472S	Screw DIN 933 M6 x 16 A2
7	470.490	Hose Connection Cap
8	P206D	Hose clamp 32-50mm/12
9	124.115	Connecting sleeve shortened
10	124.109	Suction hose L = 0.9m cpl.
11	124.112	Sound insulation duct
12	124.110	Exhaust hose L = 0.6m
13	124.104	Distance spacer 101mm
14	124.105	Distance piece \varnothing 18 x 93mm
15	060.241	Round buffer M6 x 15, \varnothing 20 x 15, M6 female thread
16	124.116	Covering piece
17	P516P	Screw WN 1452 K40 x 12
18	P497H	Washer DIN 9021 M6 6,4/18/1,6 A2
19	041.605	Cable harness suction motor incl. condenser
20	033.317	Grounding wire 1.5mm ² L = 440mm

CLEANFIX TW 1250

Electrical connection

PDF created on: 10.11.2023 19:22



Pos.	Item no.	Spare part
1	124.303	Cable harness switch
2	125.111	Cable tie holder
3	P476P	Screw DIN 7985 M6 x 12
4	P516S	Screw WN 1452 K30 x 14
5	P379A	Terminal box cover
6	P394	Marking plate 500 BZ 3 L,N,PE
7	P383M	Screw terminal with DS, 9 P. 2.5mm
8	P377	Terminal box bottom part
9	P385B	Capacitor 12uF, 450V
10	P496K	Shim DIN 125 A M6 6,4/12/1,6
11	125.121	Threaded bush to condenser
12	041.605	Cable harness suction motor incl. condenser
13	6605178	Cable security
14	P516O	Screw WN 1452 K40 x 25
15	124.107	Main cable SEV, 0.8m
16	P609	Cable tie black 4,8 x 178mm
17	P030L	Ventilation grille round Ø 43mm black
19	P483H	Screw DIN 7981 C 2,9 x 6,5 A2
20	P497J	Shim DIN 9021 M3 3,2/9/0,8
21	125.040	1-phase filter
22	125.041	3-part stranded wire harness

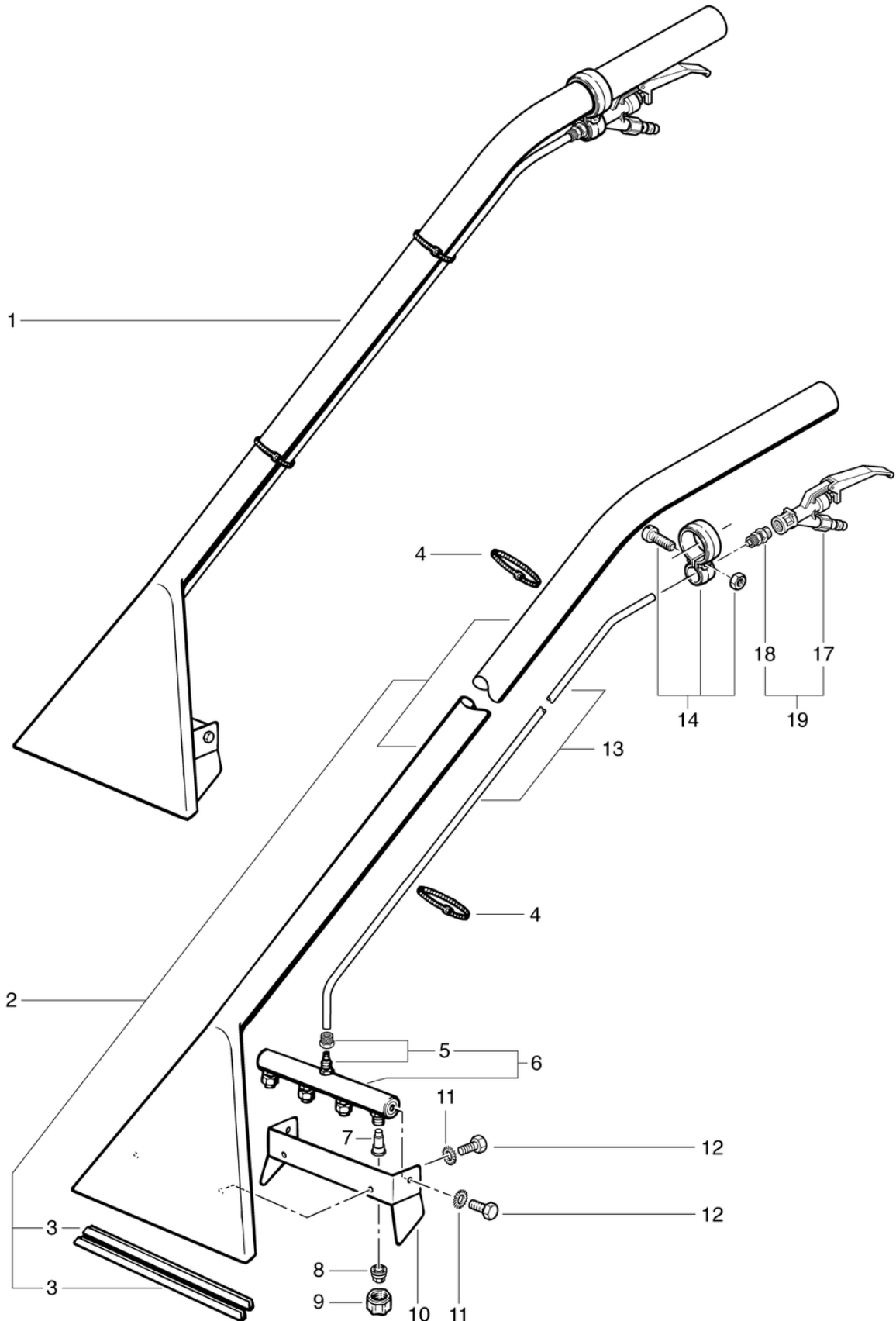
CLEANFIX TW 1250

Carpet tool, 4-nozzles

PDF created on: 10.11.2023 19:22



TW 1250



Pos.	Item no.	Spare part
1	611.000	Carpet adapter, 4 jet 30cm, alu high pressure
2	P605	Hand tube with nozzle 30cm, Alu
3	P605D	Sliding blade 275 mm
4	P609	Cable tie black 4,8 x 178mm
5	P526A	Hose connector compl.
6	P607	Manifold pipe 250
7	P607E	Back pressure application
8	P607F	Spray nozzle HD
9	P523D	Sleeved nut
10	P607A	Nozzle rod holding plate 4 nozzles 25cm
11	P499D	Shim DIN 6798 M6 6,4/11/0,7 A2
12	P472P	Screw DIN 933 M6 x 8 A2
13	P608	Flexilon - p-pipe 6/8 white
14	P683	Adapter pipe clamp cpl.
17	P680	Lever valve cpl. with core hole
19	P680B	Lever valve with bolting

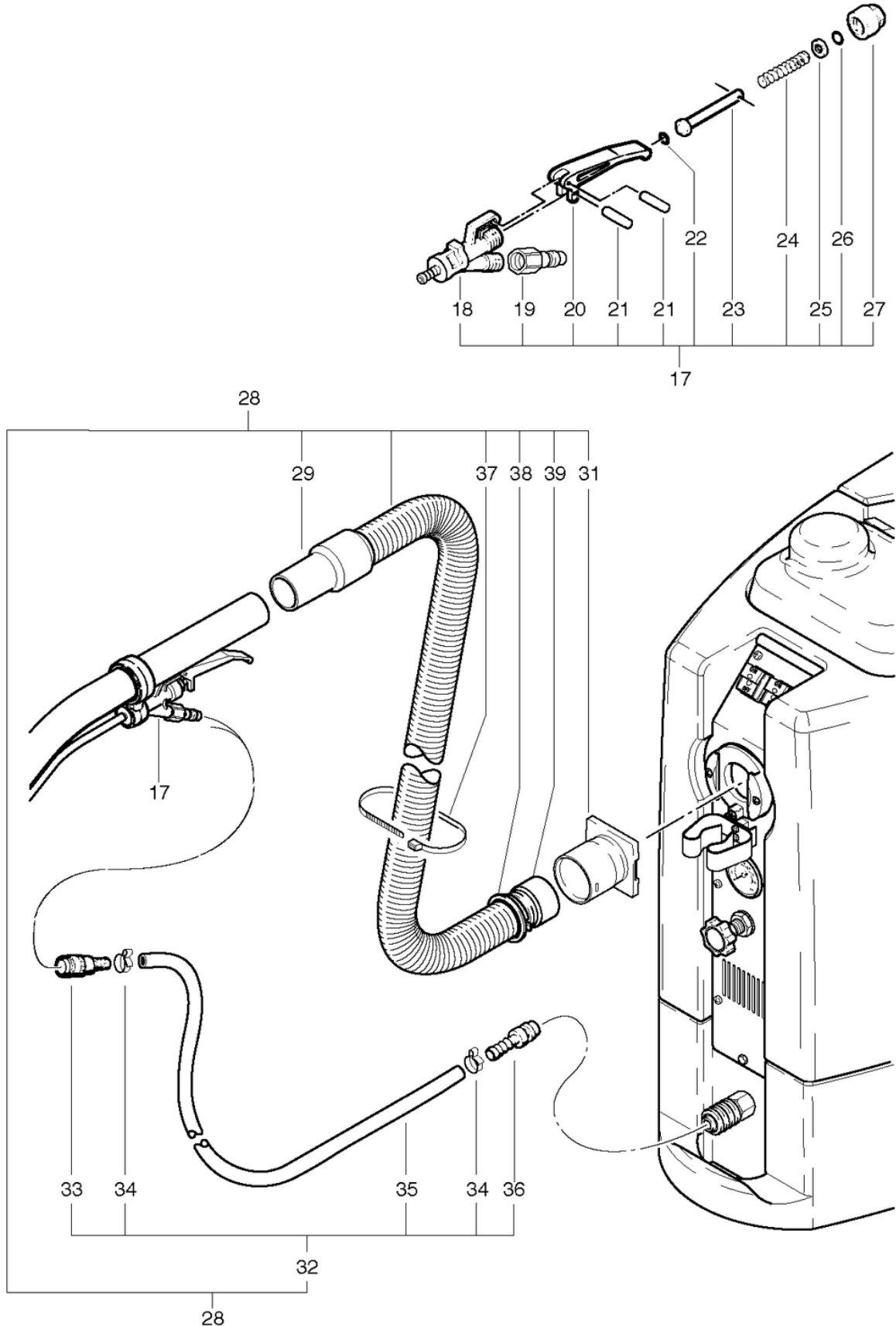
CLEANFIX TW 1250

Spray and suction hose

PDF created on: 10.11.2023 19:22



TW 1250

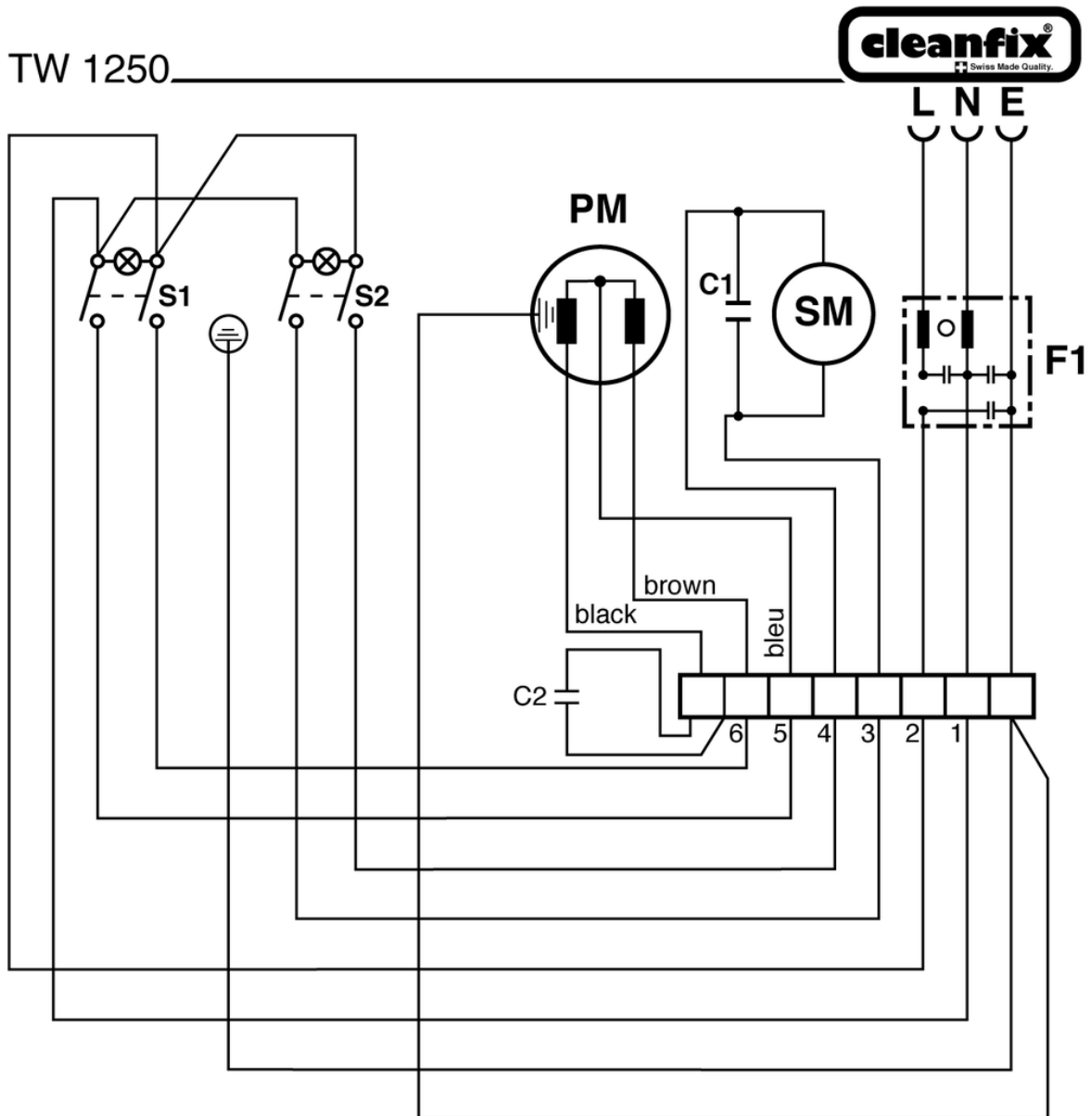


Pos.	Item no.	Spare part
17	P681	Lever valve with nozzle cpl.
18	P681A	Valve unit with nozzle
19	P501B	Coupling nipple 1/4 , large brass
20	P681C	Valve lever
21	P681K	Cylindrical pin 1,5/14,5
22	P681F	O-Ring ID5,23/2,62 NBR
23	P681D	Valve pin compl.
24	P681E	Valve spring
25	P497G	Washer DIN 125 A M5 5,3/10/1 A2
26	P681G	O-Ring ID5/2 NBR
27	P681B	Union nut
28	125.400	Spray and suction hose HP (high pressure), 4m
29	P560C	Sleeve end connector black
31	4011745	End Socket
32	125.410	Spray hose HD cpl., 3.9m
33	P500C	Quick coupling LW 8
34	P551Q	Hose clamp 018.5-706R
35	124.400B	Tuyau de pulvérisation ø12 / 6 x 3,8m
36	P501C	Plug nipple large brass
37	P424	Cable tie black 4.8 x 300mm
38	6505477	Click ring ø38mm
39	6505476	Screw ring

CLEANFIX TW 1250

Wiring diagram

PDF created on: 10.11.2023 19:22



- S1 = Schalter-Pumpenmotor / Interrupteur pour pompe / Main switch
- S2 = Schalter-Saugmotor / Interrupteur pour moteur d'aspiration /
Main switch for vacuum motor
- PM = Pumpenmotor / Pompe / Pump
- SM = Saugmotor / Moteur d'aspiration / Suction motor
- C1 = Entstörkondensator / Condensateur antiparasite / Suppressor capacitor
- F1 = 1-Phasenfilter / Filtre / System filter
- C2 = Betriebskondensator / Condensateur de service / Operating capacitor

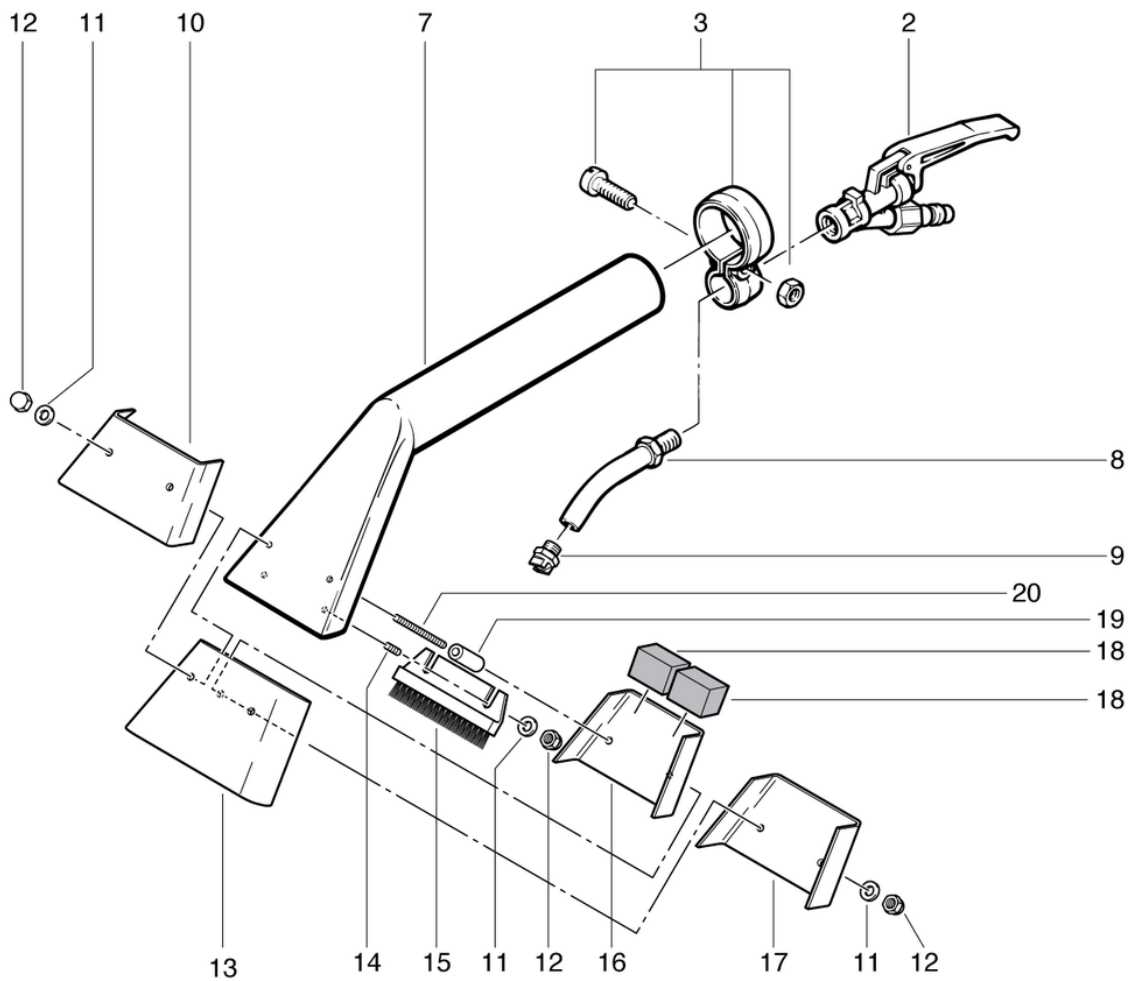
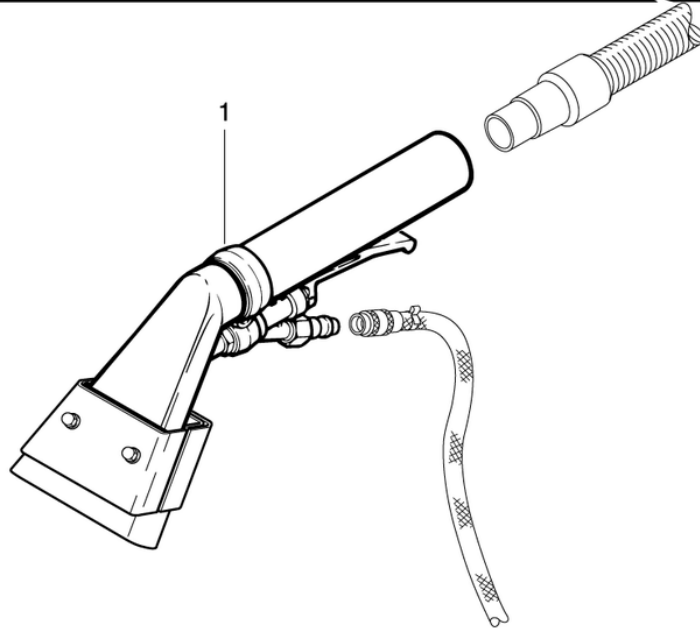
CLEANFIX TW 1250

Spray nozzle for walls

PDF created on: 10.11.2023 19:22



TW 1240



Pos.	Item no.	Spare part
1	622.000	Wall and ceiling tool, 9cm
2	P680	Lever valve cpl. with core hole
3	P683	Adapter pipe clamp cpl.
7	622.100	Nozzle housing
8	P628	Jet pipe for Alu hand adapter
9	P629	Spray nozzle 11002
10	622.102	Sheet metal clamp front
11	P497D	Shim DIN 125 A M4 4,3/9/0,8 Ms
12	P495C	Nut M 4
13	622.104	Rubber cover for wall washer
14	P483D	Threaded pin M4 x 10 black
15	622.636	Brush for wall washer 9cm
16	622.101	Splash protection
17	622.103	Sheet metal clamp behind
18	622.107	Distance piece 30x20x20
19	622.106	Distance ring 8/4x16
20	622.105B	Thread pin M4 x 55

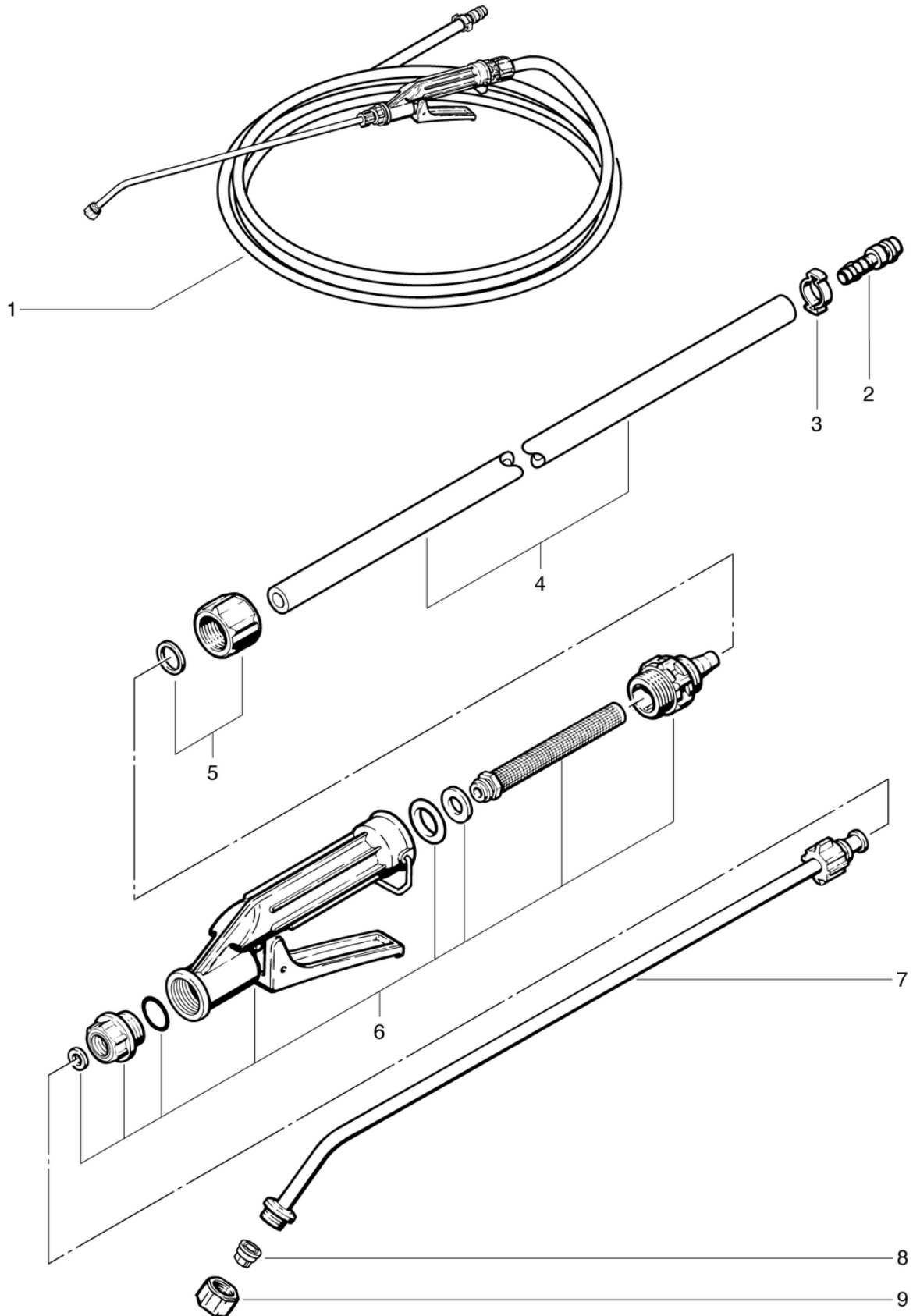
CLEANFIX TW 1250

Spray nozzle with hose

PDF created on: 10.11.2023 19:22



TW 1240/1250



Pos.	Item no.	Spare part
1	660.000	Pre-spray lance with 10m hose
2	P501C	Plug nipple large brass
3	P550C	Hose clamp 17.0-706R
4	110.560C	Sold by the meter, pressure hose HD LW 8 / 4mm
5	660.130	Union nut/spray lance
6	660.110	Spraying valve
7	660.120	Spray nozzle 60cm curved
8	P640B	Spray nozzle prespraying lance
9	P602D	Union nut 3/8

Pos.	Item no.	Spare part
1	632.000	Hard floor adapter, 37cm, Ø 32mm
2	P581D	Hand tube, inox
3	645.002A	Inox tube
4	632.001	Suction nozzle
5	P633	Spare rubber for hard floor adapter
6	P4830	Screw DIN 7981 TX25 C 4,8 x 19 A2
7	P568	Hose clip var.
8	632.003	Hose ø12/6 x 1,23m
9	P683	Adapter pipe clamp cpl.
12	P488P	Screw DIN 912 M6 x 16 A2
13	P524R	RS valve nipple
14	P631	Jet pipe
15	P640A	Spray nozzle K .75-1/8
16	P636	Brush strip
17	P497K	Washer DIN 125 A M6 6,4/12/1,6 A2
19	632.006	Holder
20	P684	Lever valve with hose bush
21	P501B	Coupling nipple 1/4 , large brass
22	632.005	underlay
23	632.002	retaining plate

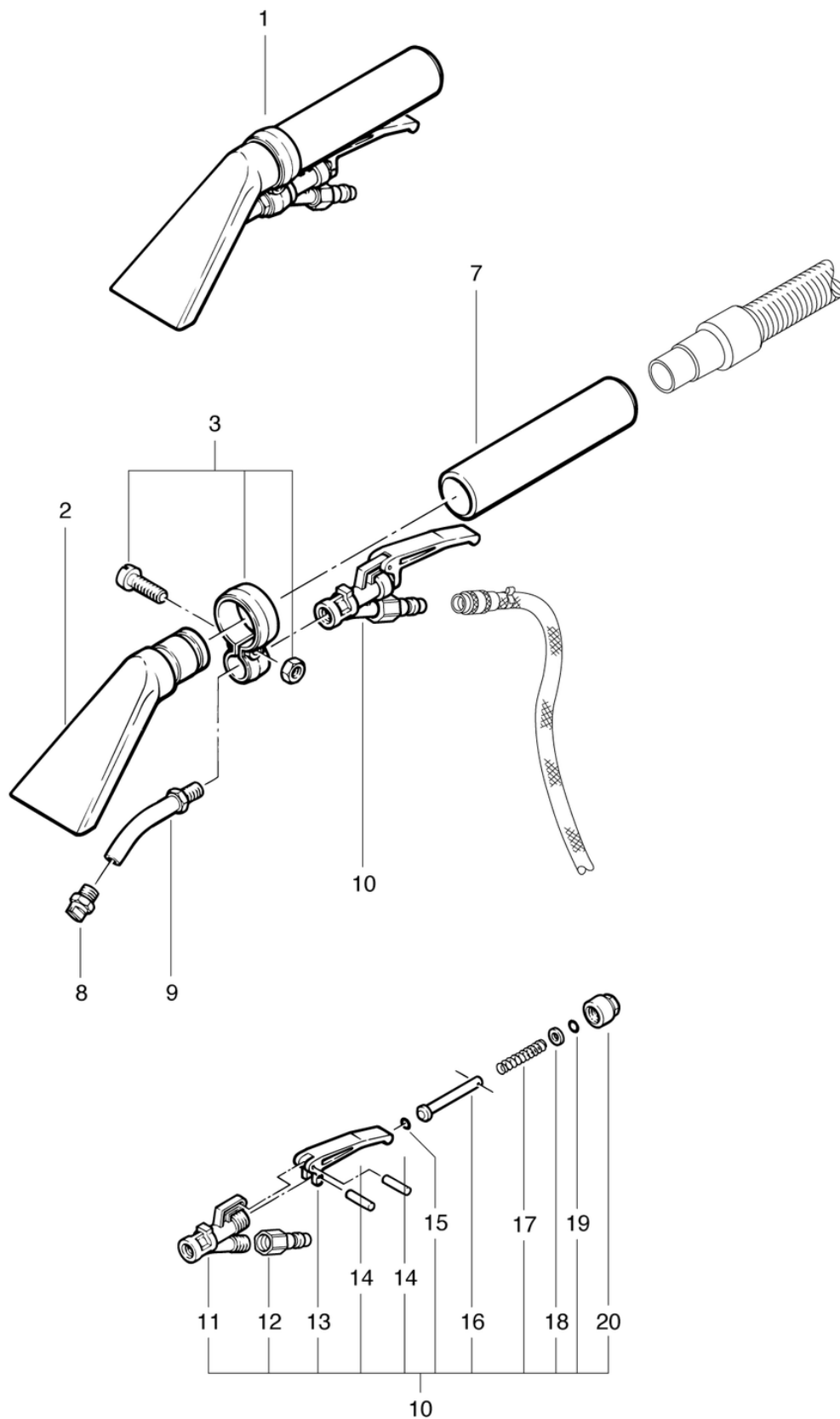
CLEANFIX TW 1250

Upholstery tool

PDF created on: 10.11.2023 19:22



TW 1240/1250



Pos.	Item no.	Spare part
1	617.000	Upholstery tool 8cm, PVC, anthracite, with nozzle inside
2	617.623	Upholstery adapter 8cm anthracite gray, cpl. processed
3	P683	Adapter pipe clamp cpl.
7	617.624	Anthracite gray tube
8	P627	Flat jet nozzle
9	617.625	Nozzle pipe
10	P680	Lever valve cpl. with core hole
11	P680A	Valve unit with 1/8 thread
12	P501B	Coupling nipple 1/4 , large brass
13	P681C	Valve lever
14	P681K	Cylindrical pin 1,5/14,5
15	P681F	O-Ring ID5,23/2,62 NBR
16	P681D	Valve pin compl.
17	P681E	Valve spring
18	P497G	Washer DIN 125 A M5 5,3/10/1 A2
19	P681G	O-Ring ID5/2 NBR
20	P681B	Union nut