

CLEANFIX TW 412

Contents

PDF created on: 10.11.2023 19:21



TW 412

Saugset

Tuyau d'aspiration set

Suction set

B 5 / ST 5

Deckel-Gehäuse

Capot-Bâti

Cover-Housing

B 1 / ST 1

Saugmotor-Pumpe

Moteur d'aspiration-Pompe

Vacuum motor-Pump

B 2 / ST 2

Einbau Saugmotor-Pumpe
und Netzzuleitung

Montage de la moteur
d'aspiration-pompe et

Cable d'alimentation

Pump assembling-vacuum motor
and Electrical connection

B 4 / ST 4

NDS-GX-Pumpe

Pompe-NDS-GX

Pump-NDS-GX

B 3 / ST 3

Saugset

Tuyau d'aspiration set

Suction set

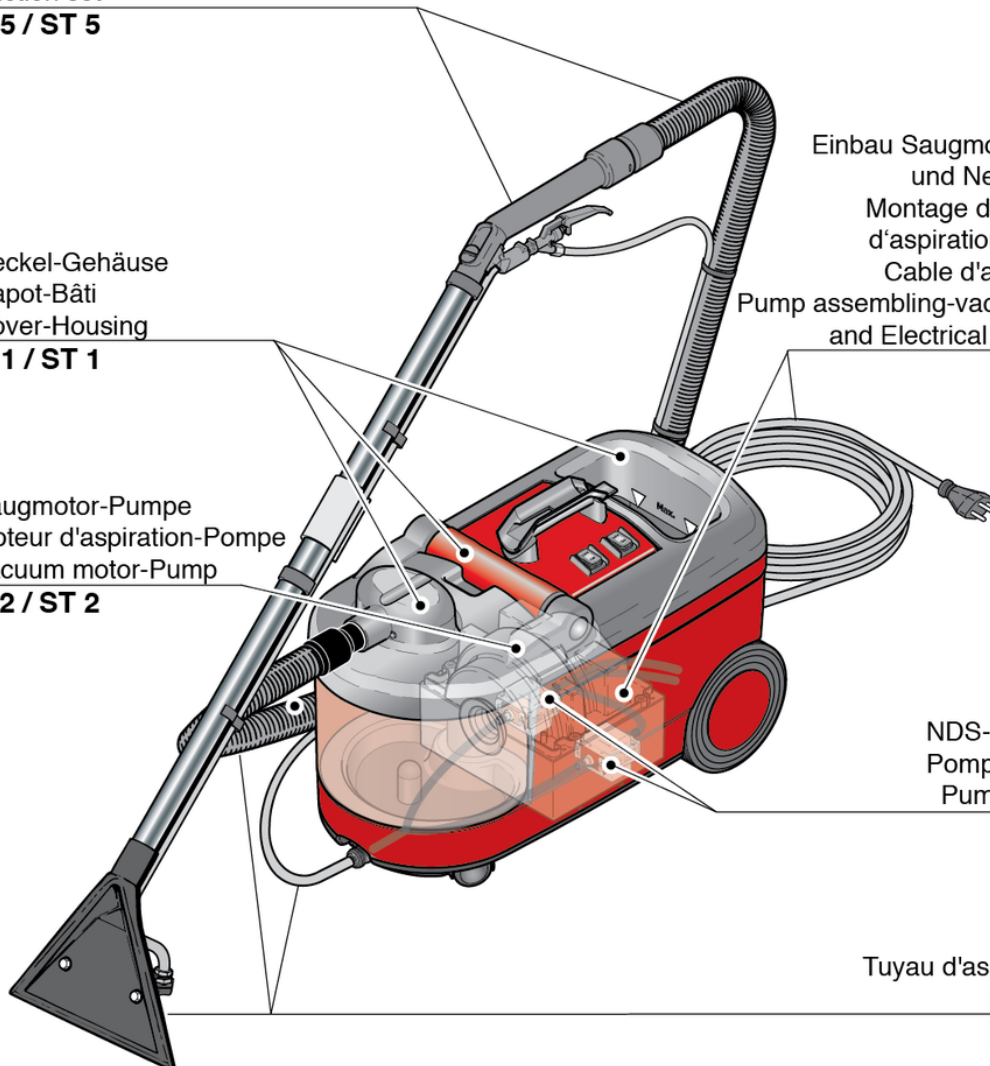
B 5 / ST 5

Stromlaufplan

Diagramme électrique

Wiring diagram

B 6 / ST 6



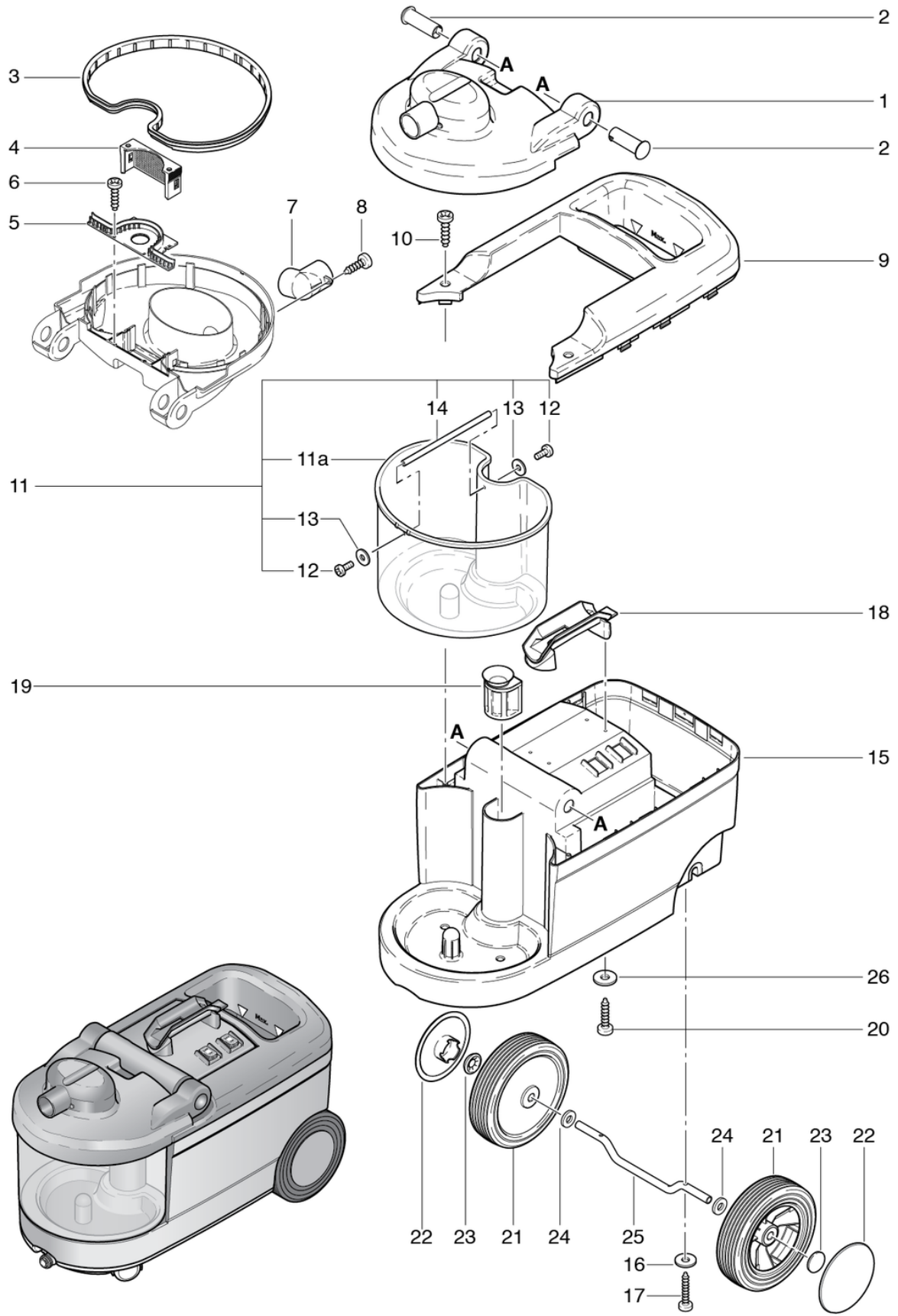
CLEANFIX TW 412

Cover-Housing

PDF created on: 10.11.2023 19:21



TW 411 / TW 412



Pos.	Item no.	Spare part
1	043.201	Cover antracite grey
2	043.504	Hinge Pin
3	043.202	Cover seal
4	043.205	Filter
5	043.204	Cover employment
6	P516F	Screw WN 1451 K30 x 16
7	043.207	Socket natural transparent 45mm machined
8	P516A	Screw WN 1452 K30 x 10 A2
9	043.502	Top Cover
10	P516G	Screw WN 1451 K40 x 16
11a	043.301	Recovery Tank
11	043.300	Recovery tank
12	P475B	Screw DIN 85 A M3 x 12
13	P497J	Shim DIN 9021 M3 3,2/9/0,8
14	043.302	Wave
15	043.510	Housing TW411 / 412 red
16	P497C	Washer DIN 9021-A M4 4,3/12/1 A2
17	P516O	Screw WN 1452 K40 x 25
18	043.503	Handle
19	043.505	Intake socket
20	P515X	Screw WN 1452 K40 x 20
21	380.135	Wheel TW383
22	300.242C	Hubcap 180-88 / 150-94 anthracite gray
23	P499LB	Ring Starlock NW 12 A2 without cap
24	P510P	Shim DIN 522 M12 13/28/4
25	043.501	Axle
26	P496G	Shim DIN 9021 M5 5,3/15/1,2

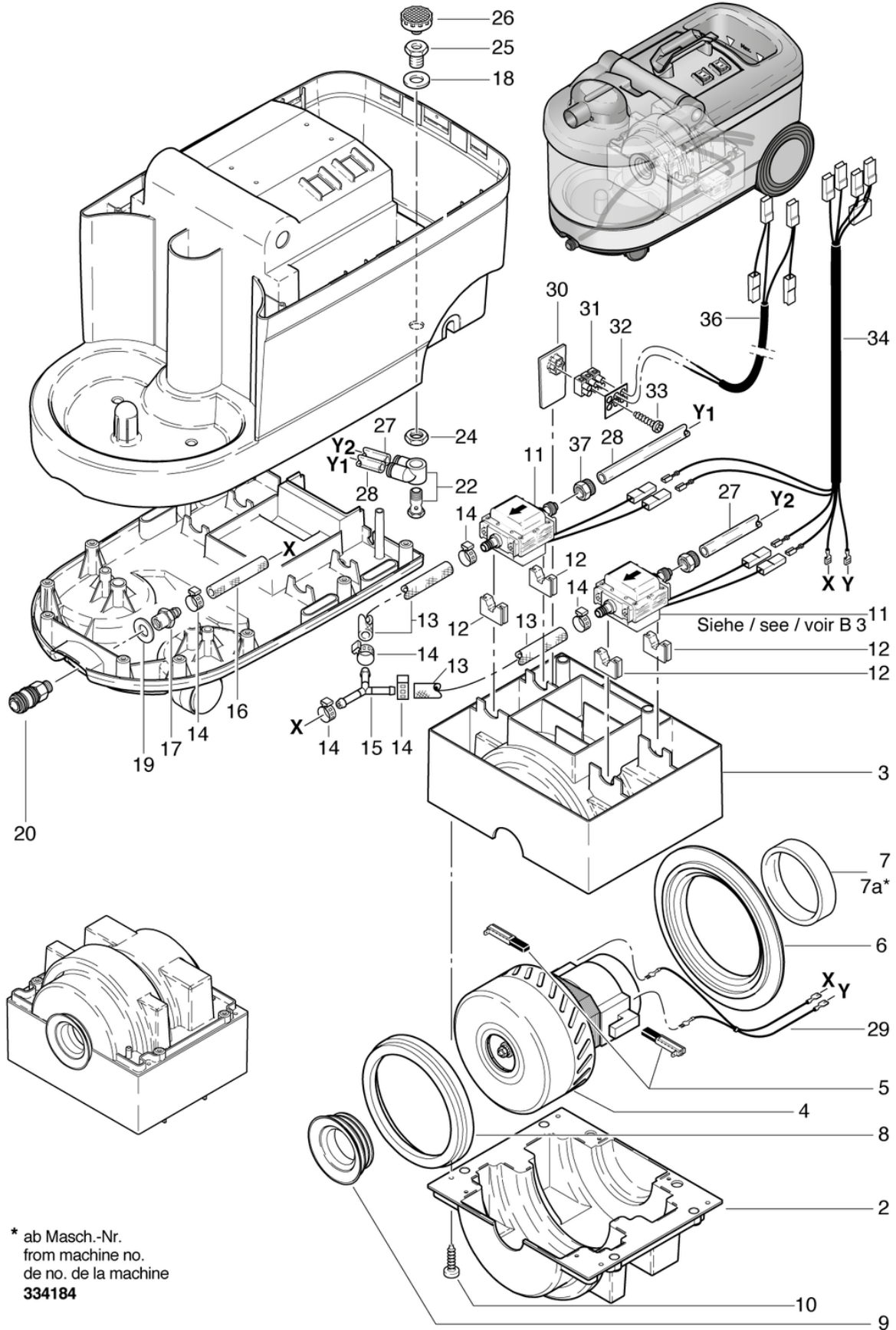
CLEANFIX TW 412

Vacuum motor-Pump

PDF created on: 10.11.2023 19:21



TW 412



* ab Masch.-Nr.
from machine no.
de no. de la machine
334184

Pos.	Item no.	Spare part
2	043.602	Lower motor shell
3	043.601	Upper motor shell
4	P876	Suction motor 230V/50 Hz, 1000W
5	P876KB	Carbon brushes (pair)
6	043.606	Sealing ring \varnothing 190 / 124 x 23.5
7a	043.604	Motor gasket \varnothing 80 x 6 x10.25
7	043.607	Motor seal \varnothing 80 x 6 x 20.5
8	P971G	Turbine seal blue
9	043.605	Seal
10	P515Z	Screw WN 1452 K50 x 16
11	P811	NDS-GX Pump 230V/50Hz
12	043.603	Pump holder
13	565.428	Hose
14	P550B	Hose clamp 15.7-706R
15	P542E	Y-piece 8mm
16	530.430	Hose
17	P525K	Hose nipple NW8-1 / 4 Ms
18	P097	Sealing shim 30/17/2 PE
19	P496A	Washer DIN 522 M12 13/30/1,6
20	P500B	Quick coupling 1/4 AG, large brass
22	044.618	Threaded joint 8-1/4"
24	P535B	Nut 3/8 Ms
25	P535E	Hollow nipple 3/8 - 1/4 x 16 Ms
26	P106	Fresh water filter ND
27	044.617	Hose 0.26 m pump-double swivel screw connection
28	044.616	Hose 0.45m pump-double swivel screw connection
29	043.613	Cable harness motor
30	043.608	Holder
31	P383A	Screw terminal with DS 3-pol. 2.5mm ²
32	P390	Marking plate
33	P516F	Screw WN 1451 K30 x 16
34	044.614	Cable harness pump and motor
36	043.614	Braid garnitur
37	P523G	Hex nut M 12x1

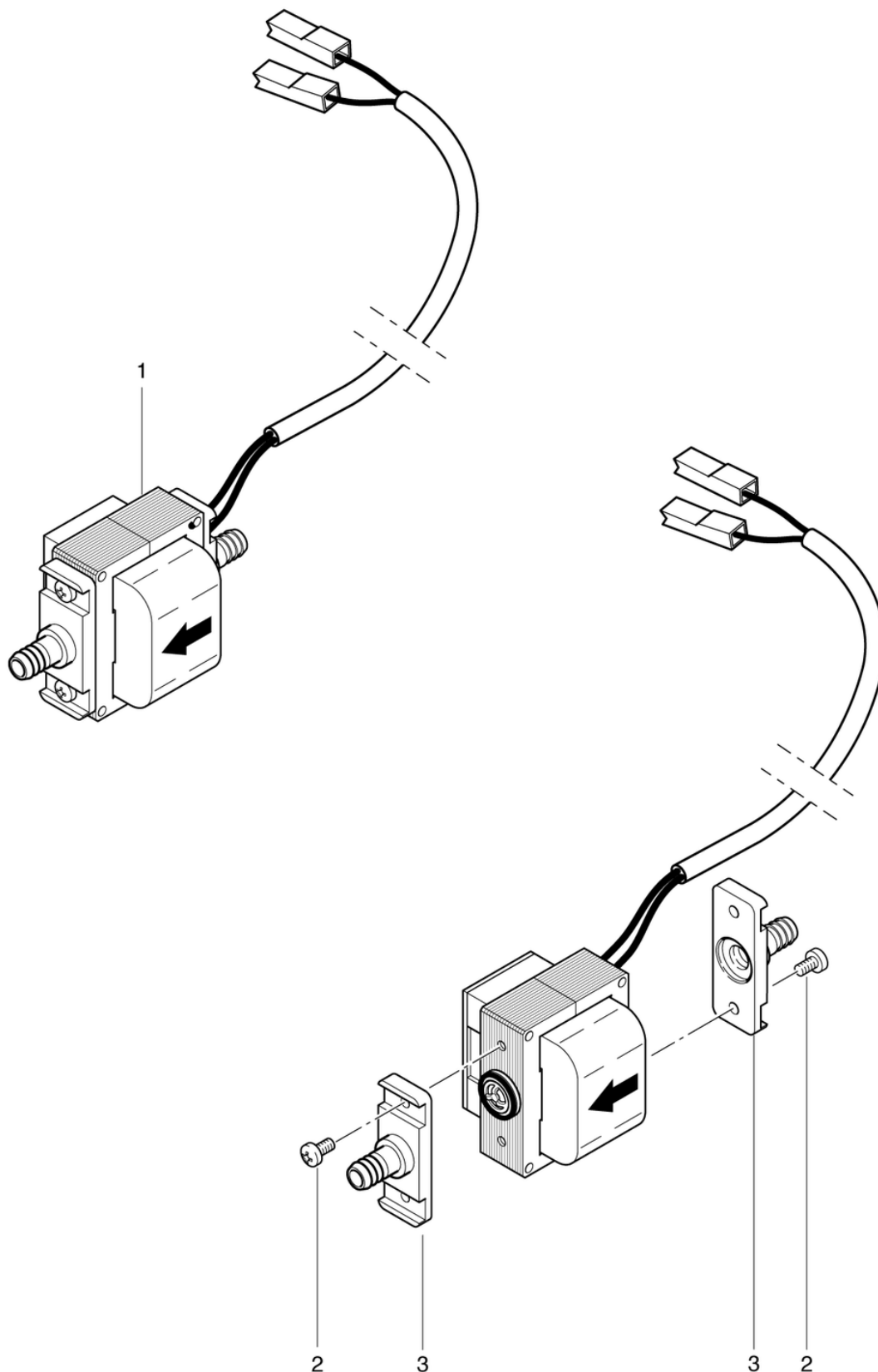
CLEANFIX TW 412

Pump-NDSX

PDF created on: 10.11.2023 19:21



TW 411 / TW 412



Pos.	Item no.	Spare part
1	P811	NDS-GX Pump 230V/50Hz
2	P481M	Screw DIN 7985 M4 x 10 A2
3	P810G	Straight connector with thread

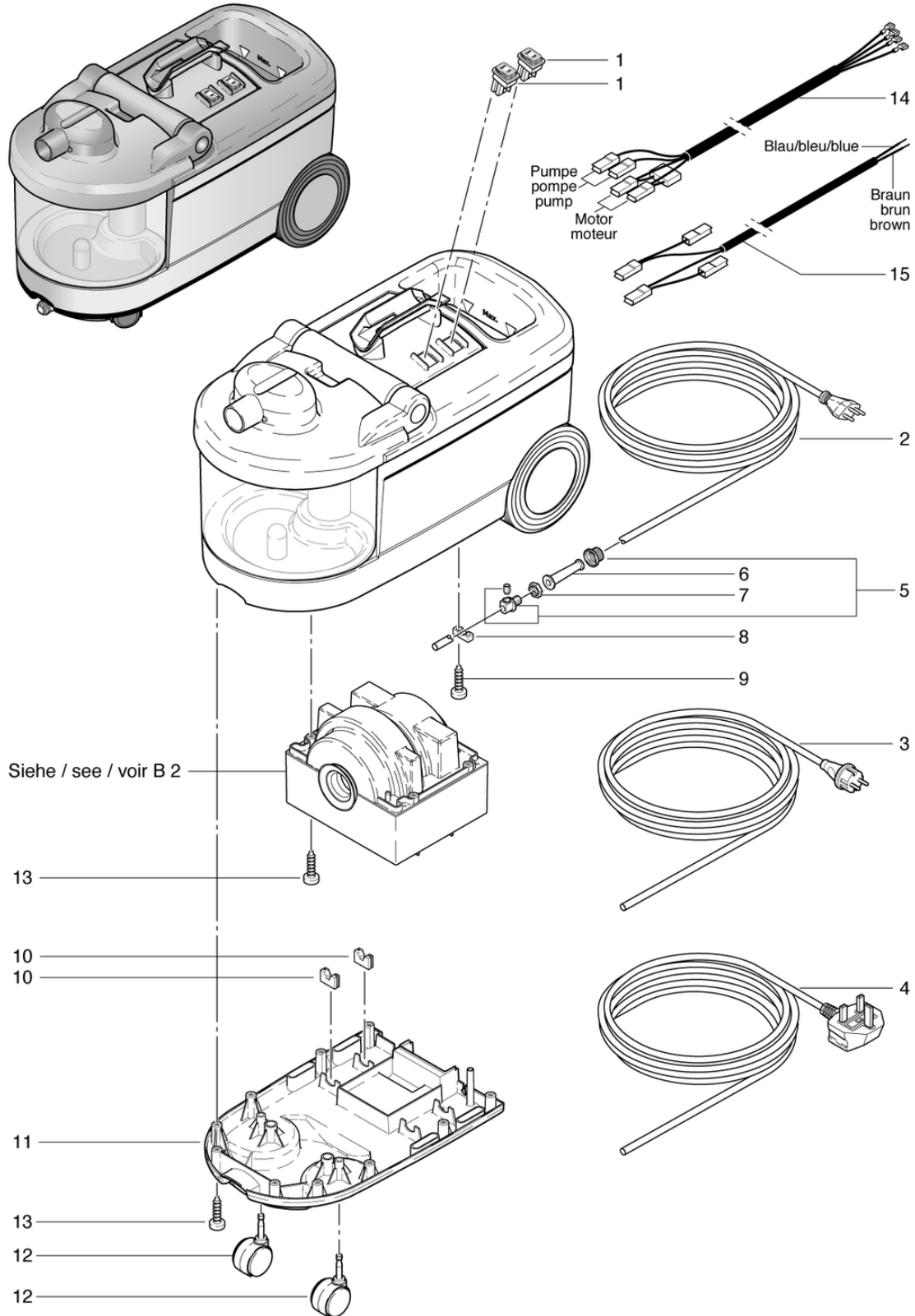
CLEANFIX TW 412

Pump assembling-vacuum motor and Electrical connection

PDF created on: 10.11.2023 19:21



TW 411 / TW 412



Pos.	Item no.	Spare part
1	P240	Rocker switch orange 230V
2	P287	Main cable SEV 2 x 0,75mm ² , 7,5m
3	P288	Mains cable VDE 2 x 0.75mm ² , 7.5m
4	P277	0mm ²
5	P279	2-part strain relief clamp
6	P280	Cable grommet
7	P279H	Lock nut PG9 brass nickel-plated
8	4611085	Cable Clamp
9	P516G	Screw WN 1451 K40 x 16
10	043.603	Pump holder
11	043.401	Anthracite gray bottom
12	P204F	Castor ø50mm
13	P515Z	Screw WN 1452 K50 x 16
14	043.612	Cable harness TW411
15	043.614	Braid garnitur

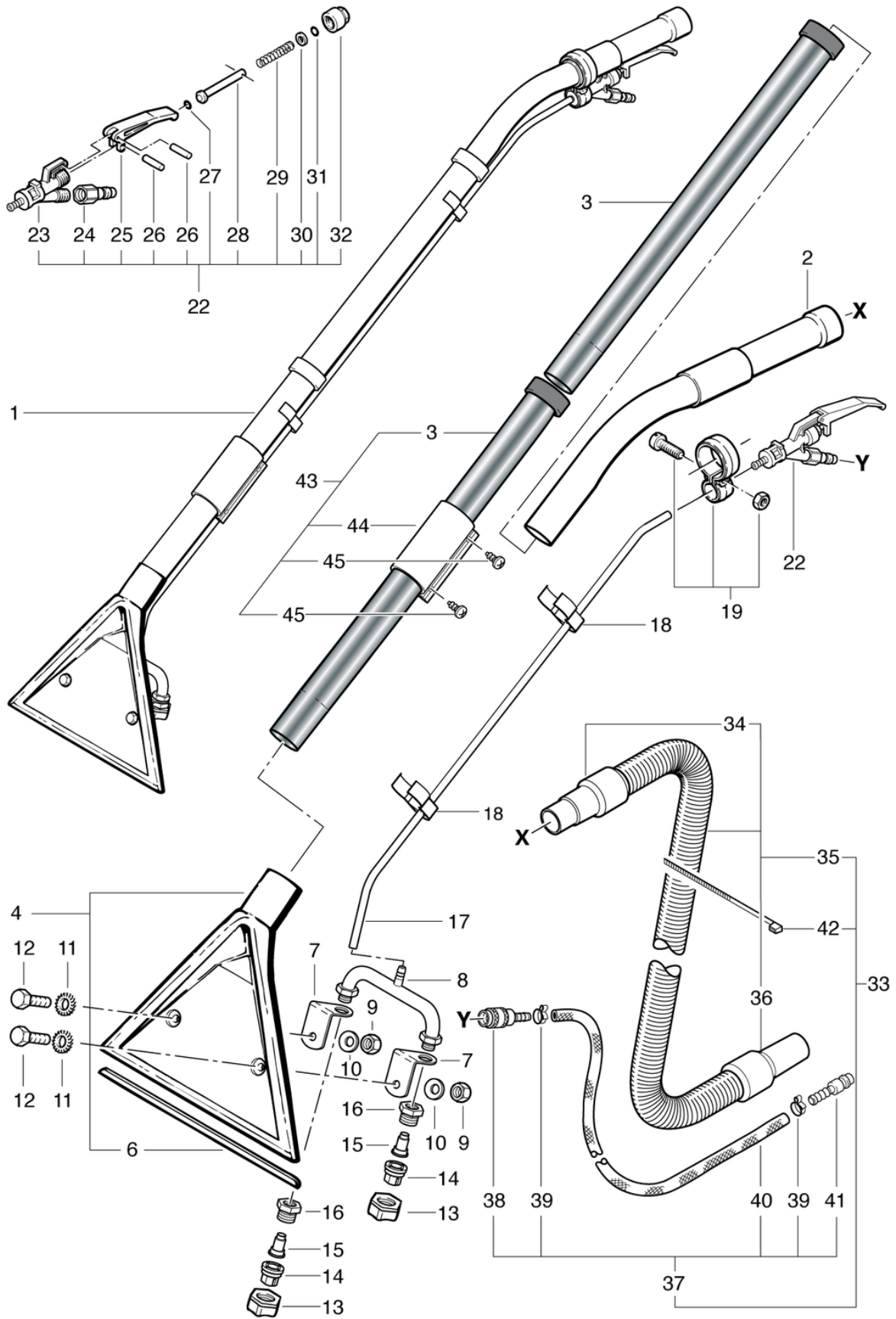
CLEANFIX TW 412

Suction set

PDF created on: 10.11.2023 19:21



TW 412



Pos.	Item no.	Spare part
1	602.000.4	Carpet adapter 2 jets, 26cm, with inox hand tube
2	P581D	Hand tube, inox
3	645.002A	Inox tube
4	602.550	Suction nozzle with two nozzles
6	P617	Carpet slide rail L=248mm
7	602.611F	mounting bracket for jet ass.
8	602.110	2-nozzle pipe bracket
9	P491E	Nut DIN 934 M6 A2
10	P499H	Shim SN 212745 M6 6,4/14/1,15 A2
11	P499D	Shim DIN 6798 M6 6,4/11/0,7 A2
12	P472T	Screw DIN 933 M6 x 20 A2
13	P602D	Union nut 3/8
14	P602M	Spray nozzle gray
15	P607E	Back pressure application
16	P535P	Threaded nipple 3/8 Ms
17	P666	PUR Pressure hose 6/8 x 1200mm
18	P670	Holding clasp
19	P683	Adapter pipe clamp cpl.
22	P681	Lever valve with nozzle cpl.
23	P681A	Valve unit with nozzle
24	P501B	Coupling nipple 1/4 , large brass
25	P681C	Valve lever
26	P681K	Cylindrical pin 1,5/14,5
27	P681F	O-Ring ID5,23/2,62 NBR
28	P681D	Valve pin compl.
29	P681E	Valve spring
30	P497G	Washer DIN 125 A M5 5,3/10/1 A2
31	P681G	O-Ring ID5/2 NBR
32	P681B	Union nut
33	043.560	Spray and suction hose complete 2,2m
34	P575	Connection sleeve 32
35	043.561	2.2m suction hose
36	P562C	Sleeve 32mm (screwable)
37	043.562	Spray hose 2.2m
38	900.165	Quick Connector TW401
39	P550I	Hose clamp 13.3-706R
40	043.563	Hose ø 6 / 12 x 2.25m
41	P501D	Plug nipple ø12 x 46mm
42	P609	Cable tie black 4,8 x 178mm
43	645.003	Inox tube with clip
44	012.411	Sliding clamp

Pos.	Item no.	Spare part
45	P515W	Screw WN 1451 K40 x 8

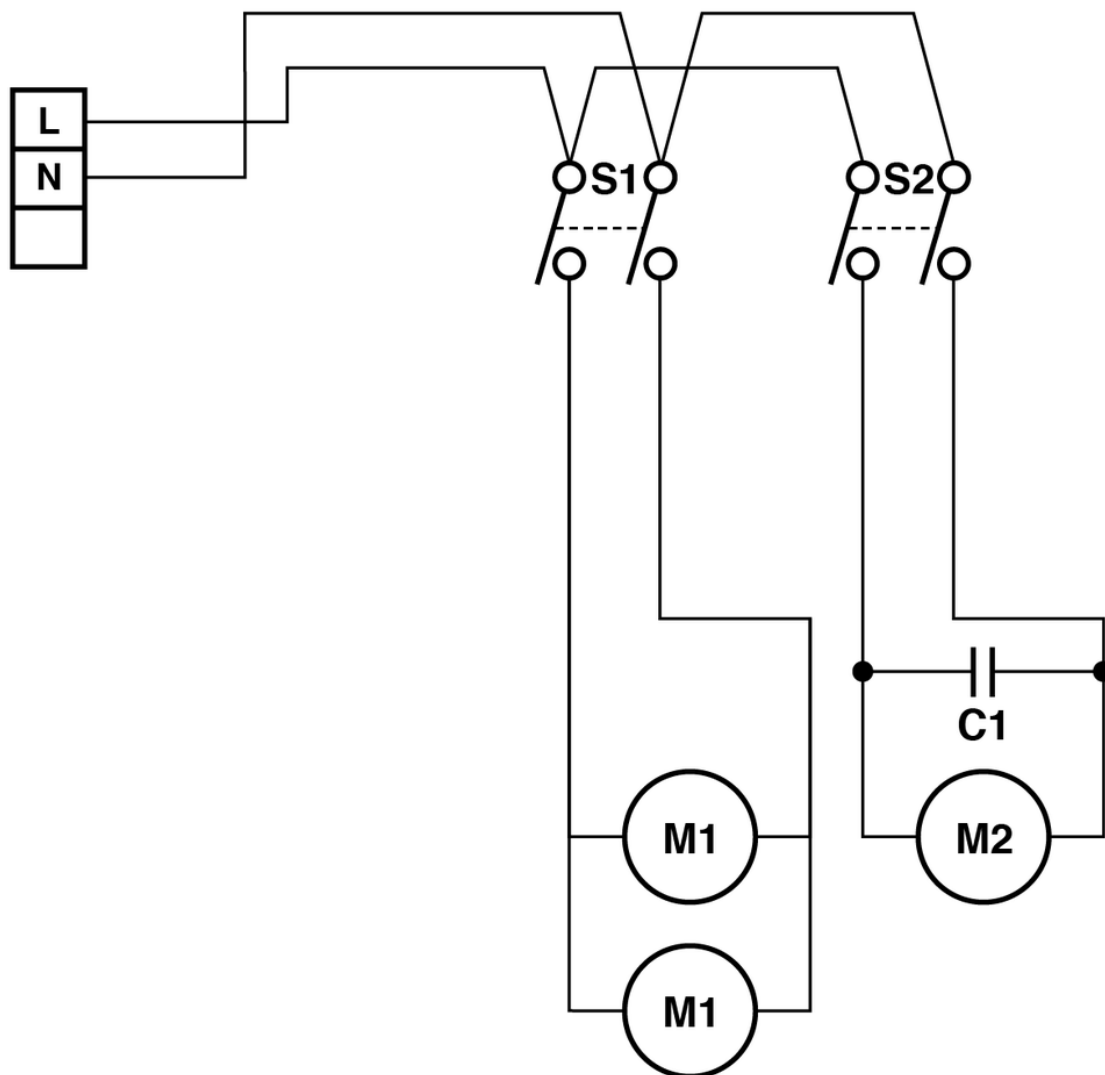
CLEANFIX TW 412

Wiring diagram

PDF created on: 10.11.2023 19:21



TW 412



- S1 = Wippenschalter 230 V 1 / Interrupteur 230 V 1 / Valve-switch 230 V 1
- S2 = Wippenschalter 230 V 2 / Interrupteur 230 V 2 / Valve-switch 230 V 2
- C1 = Entstörkondensator 0,15 uF / Condensateur 0,15 uF / Capacitor 0,15 uF
- M1 = NDS-GX-Pumpe 230 V/50 Hz / Pompe-NDS-GX-230 V/50 Hz /
NDS-GX-pump 230 V/50 Hz
- M2 = Saugmotor / Motuer d'aspiration / Vacuum motor