

CLEANFIX RA 505 IBC VDE

Contents

PDF created on: 10.11.2023 19:34



RA 505 IBC

Montage Griff und Tanks

Montage de la poignée et des réservoirs

Mounting handle and tanks

B 7 / ST 7

Steuereinheit

Unité de contrôle

Control unit

B 6 / ST 6

Schmutzwassertank

Recipient d'eau sale

Waste water tank

B 2 / ST 2

Batterie

Batterie

Battery

B 4 / ST 4

Saugdüse gebogen

Suceur concave

Suction nozzle curved

B 15 / ST 15

B 15a / ST 15a

B 15b / ST 15b

Saugdüsenaufhängung

Suspension de suceur

Suction nozzle suspension

B 14 / ST 14 - B 14a / ST 14a

Wasserverteilung

Distribution d'eau

Water distribution

B 11 / ST 11

Hubmechanik

Mécanisme de levage

Cam mechanic

B 5 / ST 5

Schlauchsystem

Système de tuyau

Hose system

B 16 / ST 16

Gebläsekasten

Boîte de moteur d'aspiration

Vacuum motor box

B 8 / ST 8

Steuerung Gebläse

Unité de contrôle moteur d'aspiration

Control unit vacuum motor

B 9 / ST 9

Steuerung

Contrôle

Control

B 10 / ST 10

Deckel Schmutzwassertank

Couvercle recipient d'eau sale

Cover waste water tank

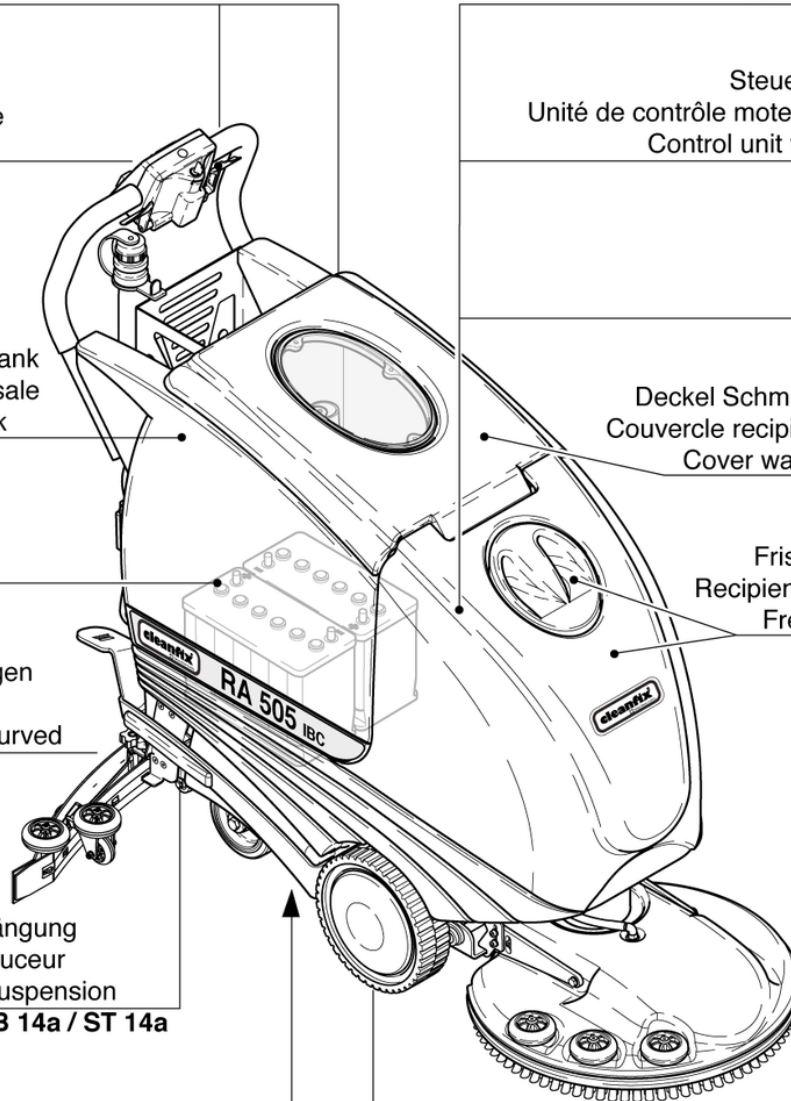
B 3 / ST 3

Frischwassertank

Recipient d'eau propre

Fresh water tank

B 1 / ST 1



Bürstkopf einfach

Tête de brosse suffit

Brush head simply

B 12 / ST 12

Montage Fahrwerk-Bürstkopf

Montage de la tête de brosse du châssis

Chassis brush head assembly

B 13 / ST 13

Stromlaufplan

Diagramme électrique

Wiring diagram

B 17

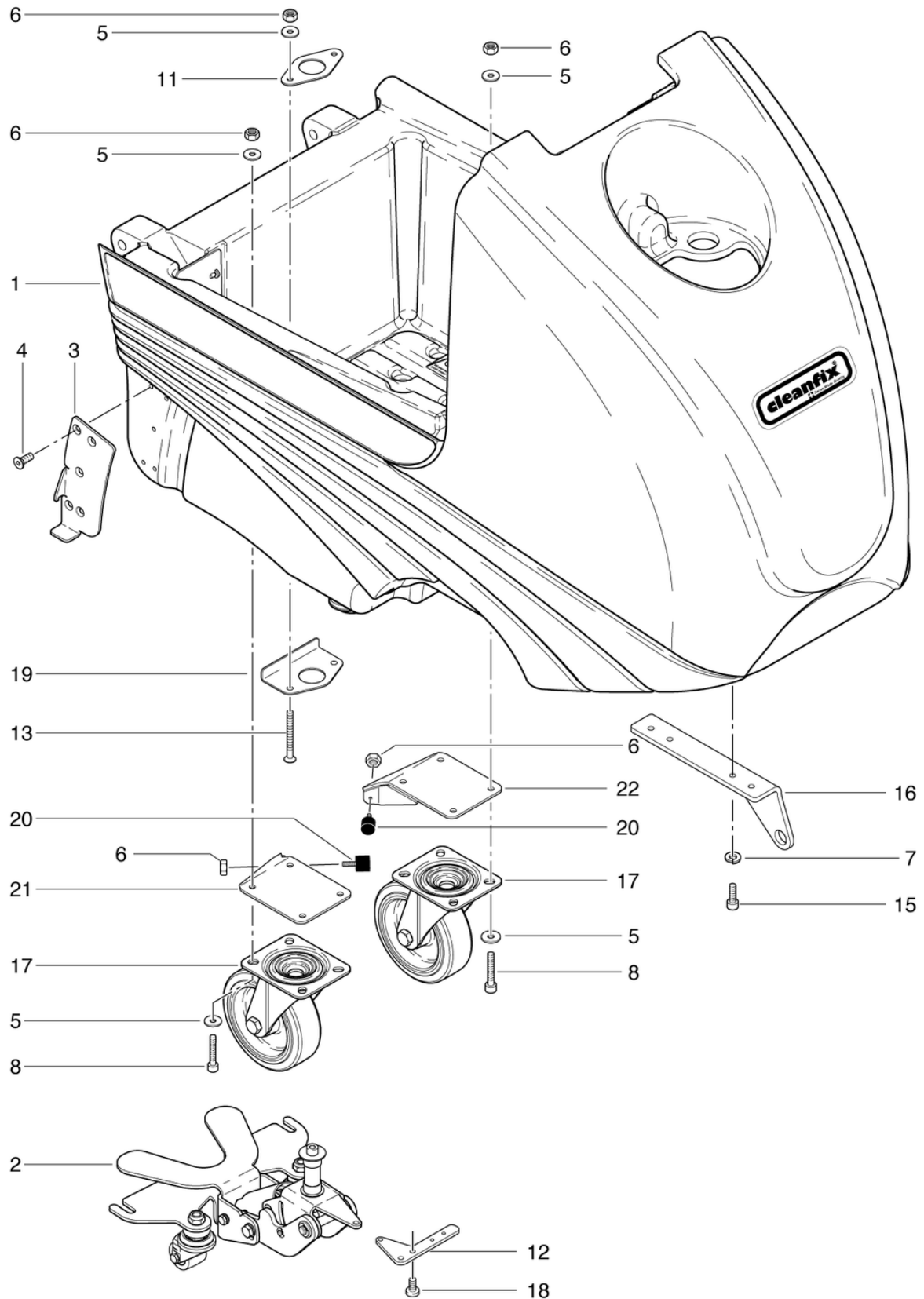
CLEANFIX RA 505 IBC VDE

Fresh water tank

PDF created on: 10.11.2023 19:34



RA 605 IBCT



Pos.	Item no.	Spare part
1	565.455	Tank
2	565.520	Suction nozzle suspension cpl.
3	565.458	Plate
4	P480K	Screw DIN 7991 M6 x 10
5	P497H	Washer DIN 9021 M6 6,4/18/1,6 A2
6	P493K	Nut DIN 985 M6
7	P498U	Ring DIN 127 B M6 6,1/11,8/1,6 A2
8	P488U	Screw DIN 912 M6 x 45 A2K with shaft
11	565.459	Clamp Plate
12	565.460	Penholder
13	P479NB	Screw DIN 7991 M6 x 60
15	P486X	Screw DIN 912 M6 x 22
16	565.462	Holder strip on the left
17	565.442	Castors 125 x 38mm
18	P476AC	Screw DIN 7985 M5 x 8
19	565.465A	Retainer sheet rust-free
20	060.241	Round buffer M6 x 15, \varnothing 20 x 15, M6 female thread
21	565.475	Right plate
22	565.476	Left plate

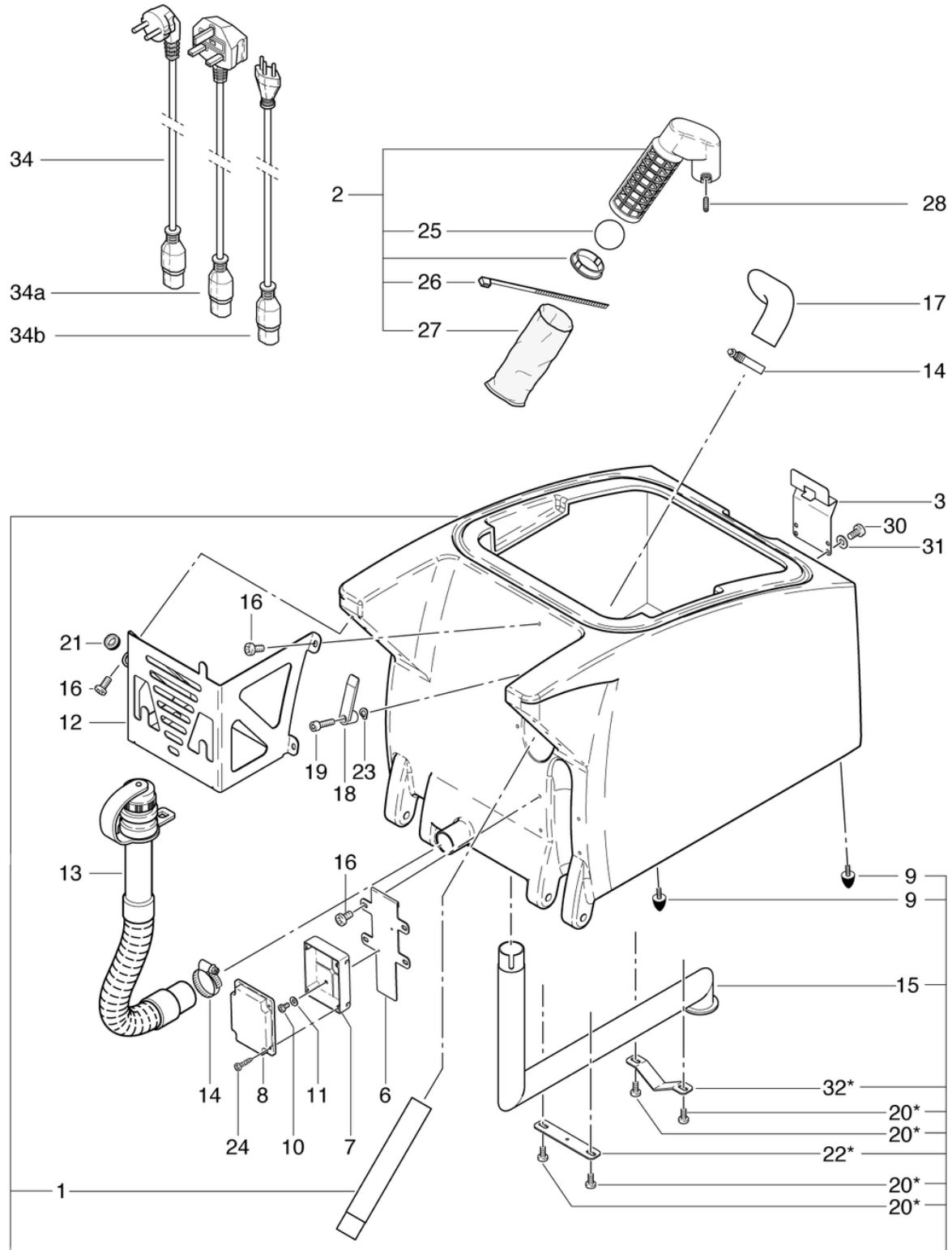
CLEANFIX RA 505 IBC VDE

Waste water tank

PDF created on: 10.11.2023 19:34



RA 505/605 IBC/IBCT



5a | 5b

* ab Masch.-Nr. / from machine no. / de no. de la machine **9151.000**

Pos.	Item no.	Spare part
1	432.206	Suction pipe for blower aluminum $\varnothing 34 / 30 \times 230$
2	432.300	Float Basket Complete
3	565.661	Rack Element
5a	565.670	Waste water tank red incl. suction tube
5b	565.6700	Waste water tank anthracite incl. suction tube
6	565.668	Cable holder
7	P379F	Terminal box lower part RA505 / RA605
8	P379A	Terminal box cover
9	P172E	Parabola buffer M6 x 8, $\varnothing 20 \times 24$ mm
10	P481M	Screw DIN 7985 M4 x 10 A2
11	P496D	Shim DIN 125 A M4 4,3/9/0,8
12	565.665	Storage basket
13	P561	Drain hose with crimp sleeve 0.63m
14	P206F	Screw thread clamp 25 - 40mm SW7
15	565.666	Intake Tube
16	P476P	Screw DIN 7985 M6 x 12
17	565.662	Rubber Bend
18	P087A	Catch for cable black
19	P488V	Screw DIN 912 M8 x 30 A2K
20	P476AC	Screw DIN 7985 M5 x 8
21	P207A	Grommet
22	565.676	Holding plate
23	P499AB	Shim DIN 137 B M8 8,4/15/1,5 A2
24	P516S	Screw WN 1452 K30 x 14
25	432.304	Ball $\varnothing 45$ mm
26	P609B	Cable tie weatherproof- 3,5 x 200
27	432.315	Filter Bag
28	P513L	Pin DIN 913 M6 x 10 St galvanized
30	P476Q	Screw DIN 7985 M6 x 10
31	P496K	Shim DIN 125 A M6 6,4/12/1,6
32	565.675	Tube holder
34a	436.792	Connection cable GB 3 x 1,00mm ² , black
34b	436.791	Cable SEV 3 x 1,00mm ² , black, 2.50m
34	436.790	Main cable VDE 3 x 1.00mm ² , black

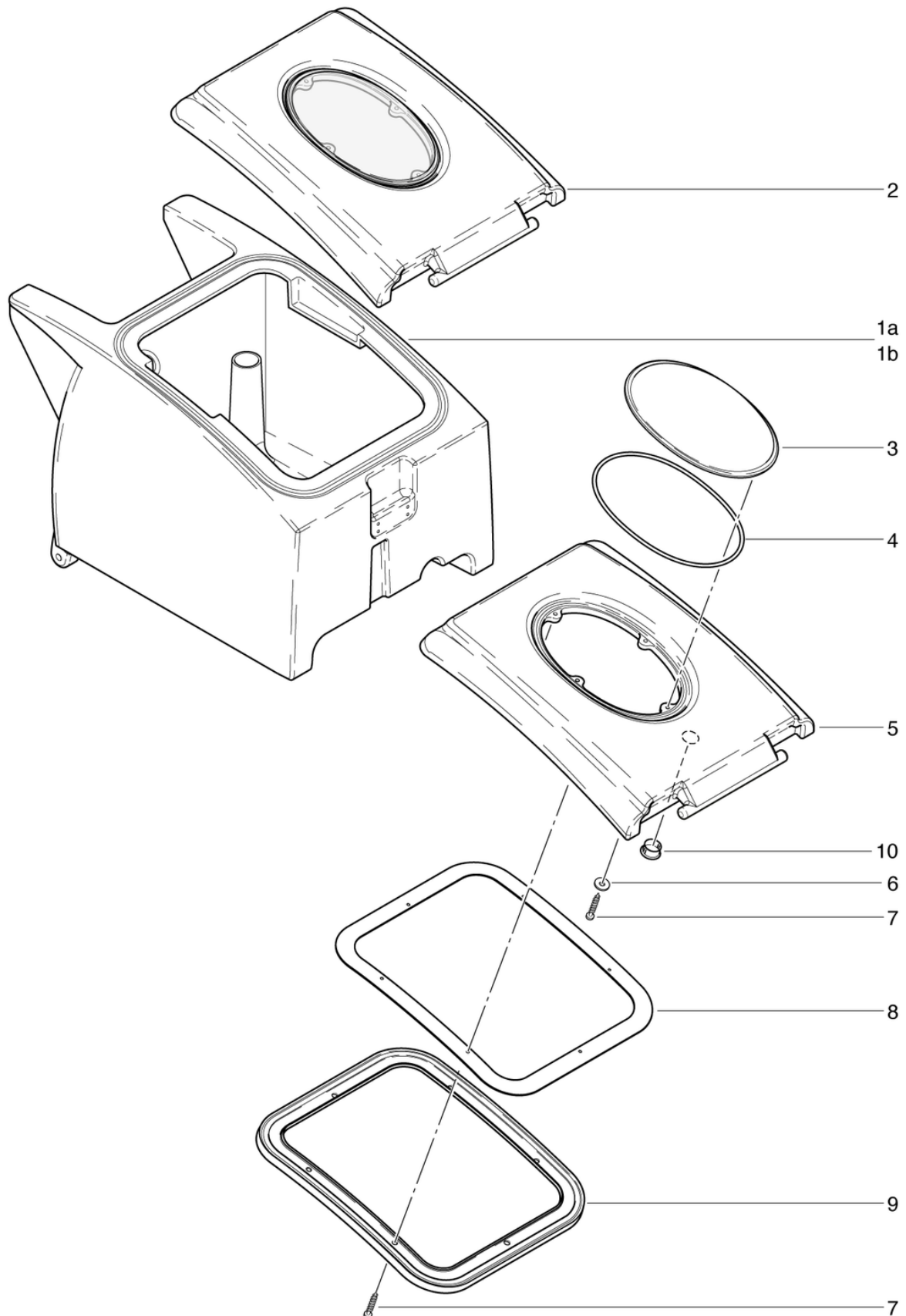
CLEANFIX RA 505 IBC VDE

Cover waste water tank

PDF created on: 10.11.2023 19:34



RA 505/605 IBC/IBCT



Pos.	Item no.	Spare part
1a	565.670	Waste water tank red incl. suction tube
1b	565.6700	Waste water tank anthracite incl. suction tube
2	565.120	Cover of dirty water tank
3	565.121	Inspection Glass
4	565.122	Rope Seal
5	565.123	Tank Lid Complete RA605
6	P497C	Washer DIN 9021-A M4 4,3/12/1 A2
7	P483L	Screw DIN 7981 C 4,2 x 25
8	565.124A	Stainless steel carrier plate
9	565.125	Seal to cover
10	P171L	Cover black ø15,9/18,2 x 10,3

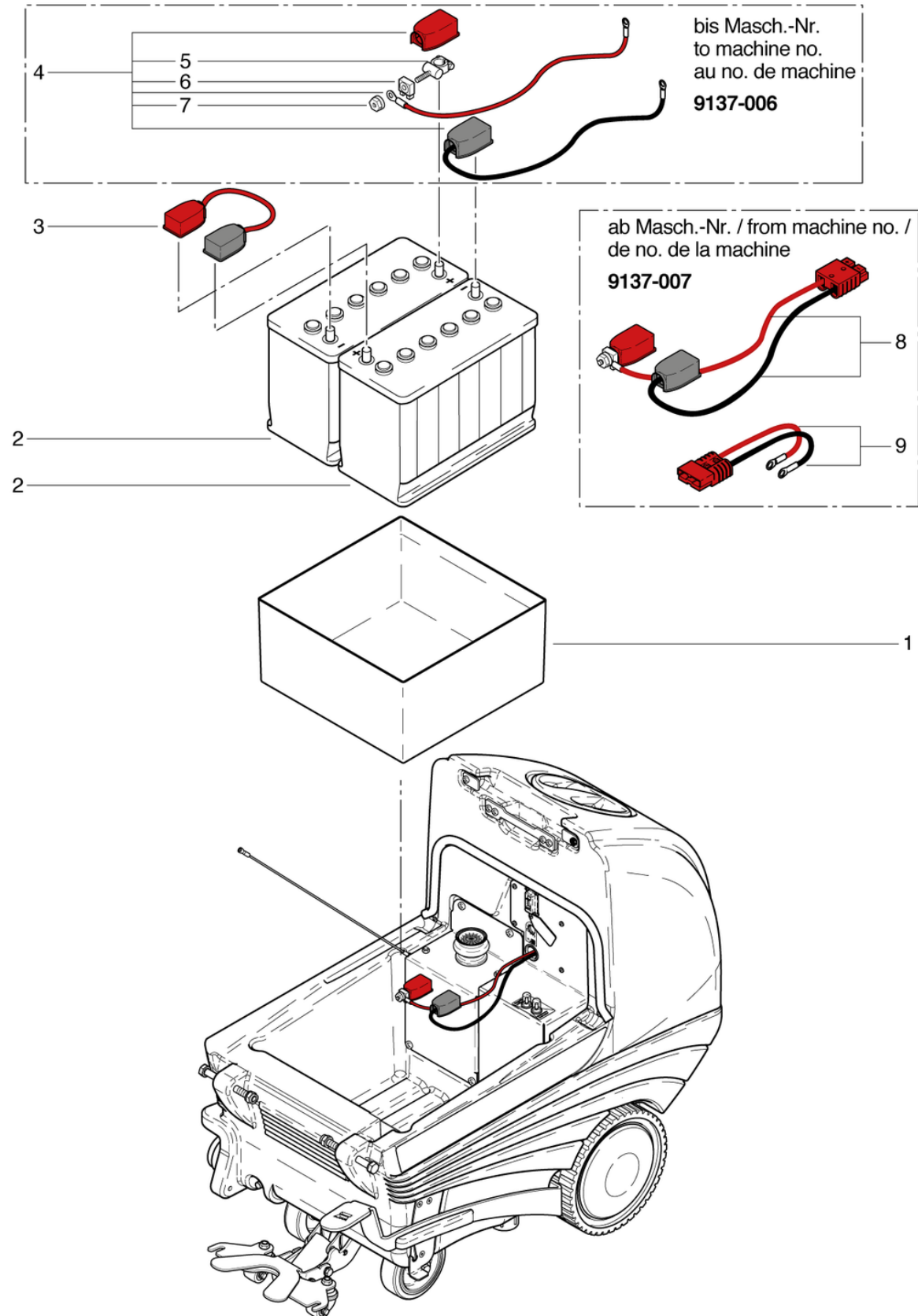
CLEANFIX RA 505 IBC VDE

Batterie

PDF created on: 10.11.2023 19:34



RA 505/605 IBC/IBCT



Pos.	Item no.	Spare part
1	565.494	Drain tray
2	530.091	Set of Gel batteries 2x12V / 105 Ah
3	436.985	Battery connection wire 10mm ² , L = 0.16m
4	565.258	Lead wire battery voltage relay input
5	P357E	Battery clamp 1 pole
6	560.710	Fuse CF8, 75A
7	710.353	Insulating Nut
8	436.983	Battery Cable Tree
9	565.255	Battery charging cable

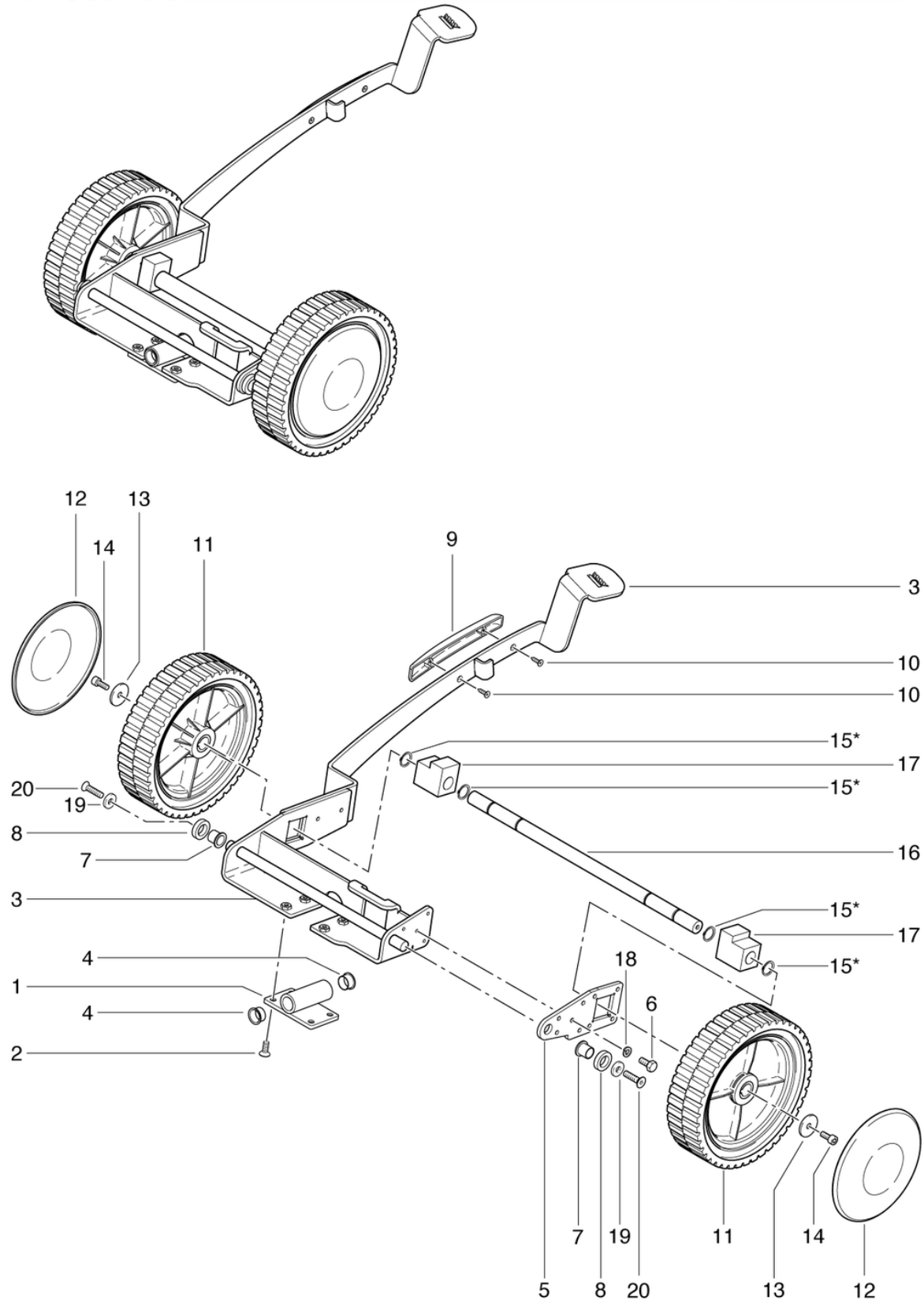
CLEANFIX RA 505 IBC VDE

Lift mechanic

PDF created on: 10.11.2023 19:34



RA 505 IBC



* ab Masch.-Nr. / from machine no. / de no. de la machine
9146-000

Pos.	Item no.	Spare part
1	565.249	Support
2	P479RA	Screw DIN 7991 M8 x 20
3	565.245	Cam Mechanic
4	P316E	Plain bearing with collar GFM-2021-20
5	565.250	Support Diagonal
7	P316FA	Plain bearing with collar GFM-1618-12
8	565.247	Distance ring $\varnothing 30 / 18.3 \times 7$
9	565.246	bounce protection
10	P516GA	Screw WN 1423 K40 x 16
11	555.240	IBC impeller without wedge rail, incl. Bearing
12	530.242	Wheel Cover Red
13	P496PA	Washer DIN 522 M8 8,4/35/2,5
14	P471E	Screw DIN 933 M8 x 20 A2
15	P499K	Ring DIN 471 20/1,2
16	555.321	Axle
17	555.322	axle bearings
19	P500T	Shim SN 213912 M8 25/4,8 A2

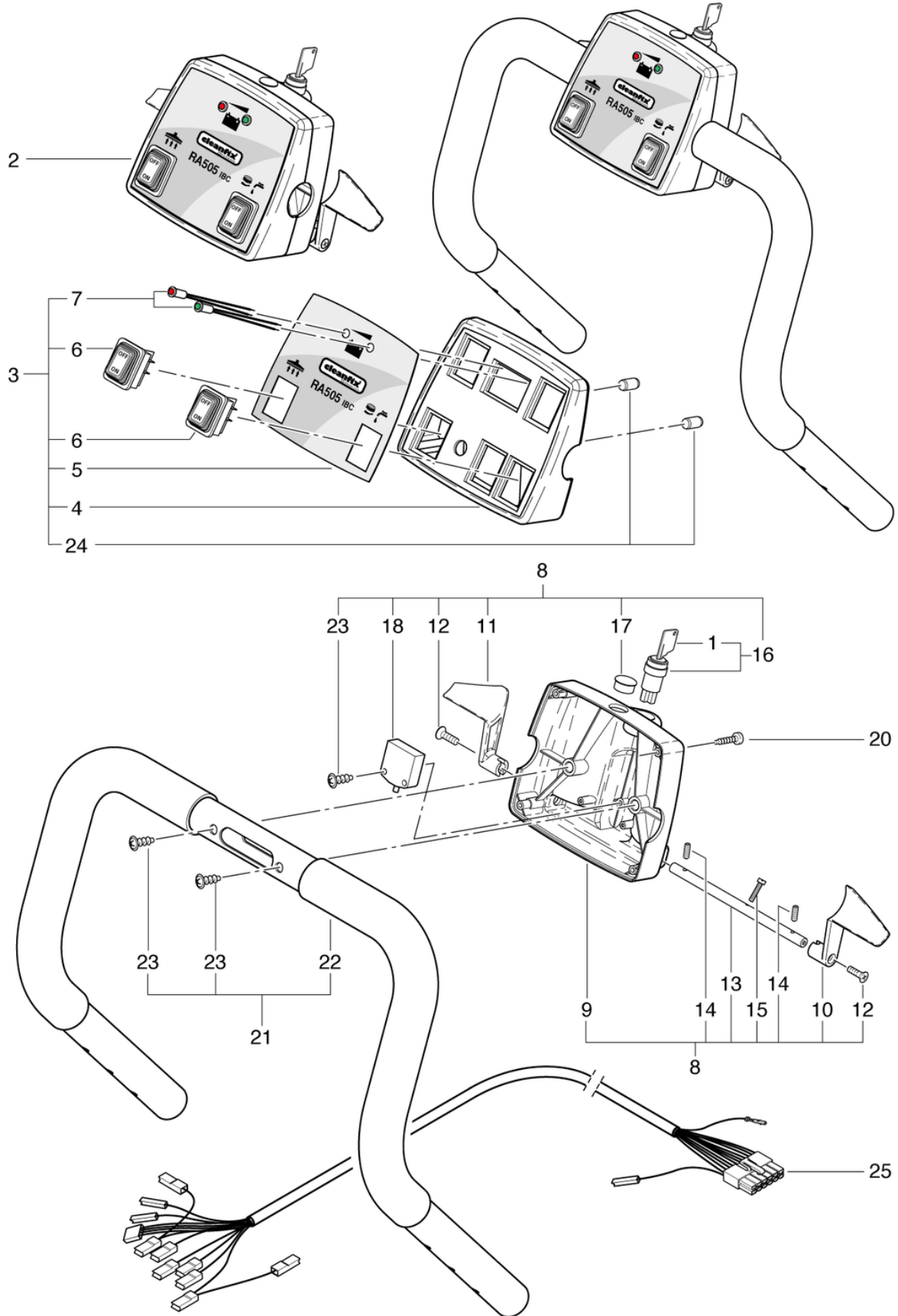
CLEANFIX RA 505 IBC VDE

Control unit

PDF created on: 10.11.2023 19:34



RA 505 IBC



Pos.	Item no.	Spare part
1	P244B	Spare key (1 pc.)
2	555.220	Control Box RA505
3	555.224	Control panel upper part
4	701.221	Controls box (top)
5	555.227	Panel for control panel RA505 IBC
6	P241	Rocker switch white 24V
7	P415	Set LED red, green 2.1 V, Ø 5 mm
8	555.225	Control Panel Base
9	701.222	Control box (lower part)
10	701.223	Start Lever Right
11	701.224	Start Lever Left
12	P479B	Screw DIN 965 M4 x 10 A2
13	701.225	Axle
14	P484DA	Screw DIN 427 M4 x 8
15	P475F	Screw DIN 85 A M4 x 20 A2
16	560.361	Key Switch
17	P171L	Cover black ø15,9/18,2 x 10,3
18	710.323	Safety Switch
20	P516E	Screw WN 1451 K30 x 20
21	565.215	bumper bar
22	565.211	Binder
23	P515W	Screw WN 1451 K40 x 8
24	P514I	Brad ISO 2338 8 x 16 St vz
25	555.228	Cable harness operating panel

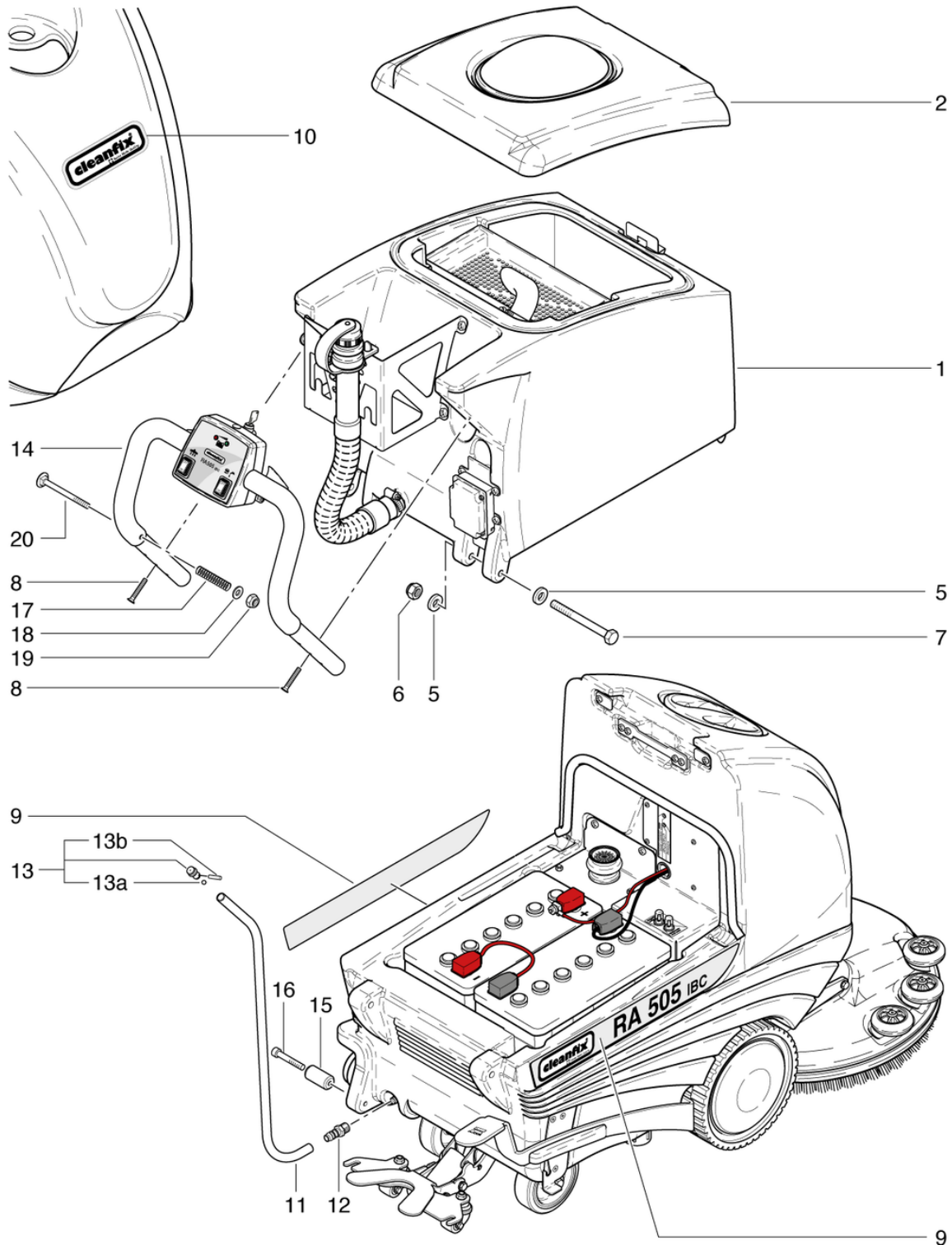
CLEANFIX RA 505 IBC VDE

Mounting handle and tanks

PDF created on: 10.11.2023 19:34



RA 505 IBC



Pos.	Item no.	Spare part
1	565.650	Tank
2	565.120	Cover of dirty water tank
5	P497S	Shim DIN 9021 M12 13/20/2 A2
6	P492T	Nut DIN 985 M12 St galvanized
7	P470N	Screw DIN 931 M12 x 120 with shaft
8	P479NA	Screw DIN 7991 M6 x 40
9	555.454	Decorative strips - set
10	110	Sticker Cleanfix
11	565.451	PVC hose 16x12
12	P540N	Straight nipple GES NW12 / R3 / 8
13a	P172W	Ball ø7.14 for spray nozzle PA6.6
13b	P514	Broche ISO 2338 2x12
13	565.445	Back pressure valve complete
14	555.210	Binder compl.
15	565.536	Stop Roller
16	P486Y	Screw DIN 912 M6 x 40 A2 with shaft
17	565.216	Compression spring VD-121 0.8 / 10.8 / 66
18	P497P	Shim DIN 1440 8/16/2
19	P492N	Nut DIN985 M8 A2
20	P481GA	Screw DIN 603 M8 x 100

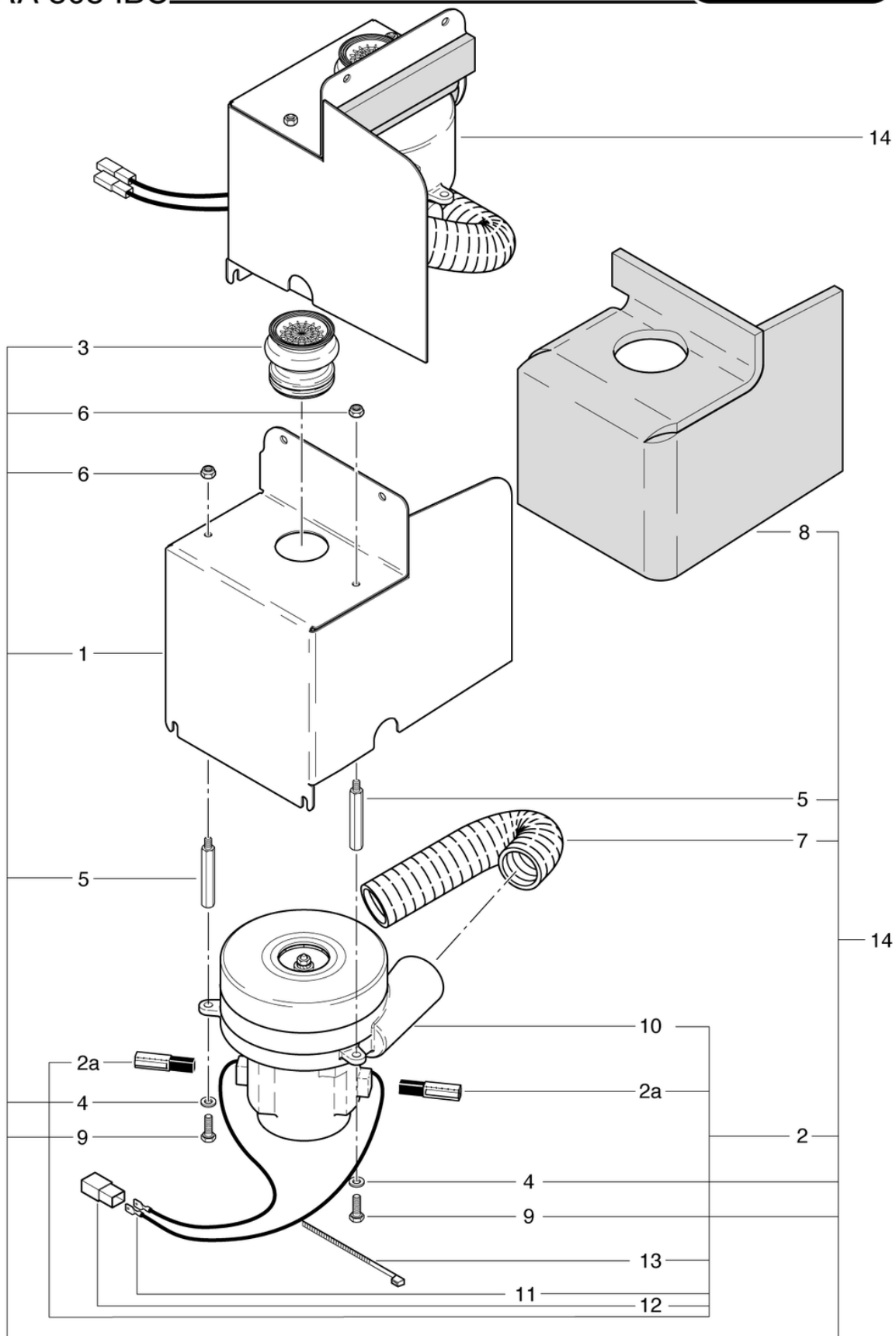
CLEANFIX RA 505 IBC VDE

Vacuum motor box

PDF created on: 10.11.2023 19:34



RA 505 IBC



Pos.	Item no.	Spare part
1	565.671	Cover for suction motor
2a	P870KB	Carbon brushes (pair) OEP
2	440.207	suck blowers 24V /400W compl.
3	565.672	Blower seal
4	P496K	Shim DIN 125 A M6 6,4/12/1,6
5	P484UD	Distance holder BN 3318 M6 x 60
6	P491E	Nut DIN 934 M6 A2
7	400.223	Noise Absorbing Hose
8	565.673	Sound insulation
9	P470X	Screw DIN 933 M6 x 20
10	440.206	Suction Motor- 24 V / 400W
11	P401E	Push-on connector 6,3 x 0,8 - 1,5 - 2,5mm ²
12	P818E	Flat plug-6,3mm natural 2-poles 180924-0
13	P609	Cable tie black 4,8 x 178mm
14	565.480	Complete Vac Motor

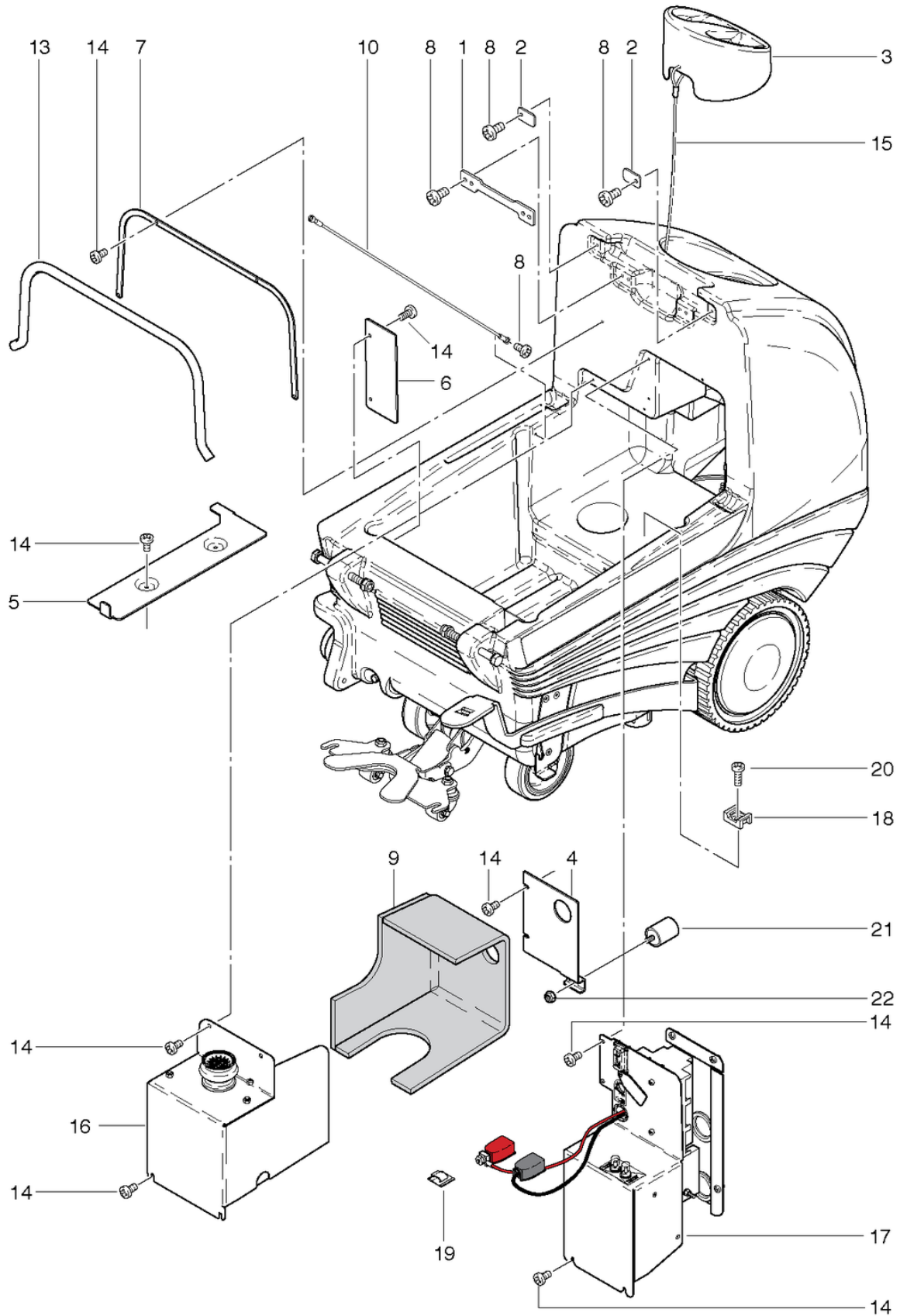
CLEANFIX RA 505 IBC VDE

Control unit vacuum motor

PDF created on: 10.11.2023 19:34



RA 505 IBC/IBCT



Pos.	Item no.	Spare part
1	565.468	Counterplate
2	565.467	Clamp metal plate
3	565.466	Freshwater tank cover
4	565.482	Chicane air outlet
5	565.473	Cover for cables
6	565.472	Cover
7	565.469	Seal Sheet
8	P476Q	Screw DIN 7985 M6 x 10
9	565.483	Sound insulation
10	565.471	Pull rope
13	565.470	Seal
14	P476AC	Screw DIN 7985 M5 x 8
15	565.464	Rope for Measuring cup
16	565.480	Complete Vac Motor
17	555.490	Battery Charger and PCB 505
18	125.111	Cable tie holder
19	P360	Nature cable holder
21	400.214	Round buffer M6 x 8 I-thread, ø 20 x 30
22	P492K	Nut DIN 985 M6 A2

CLEANFIX RA 505 IBC VDE

Control

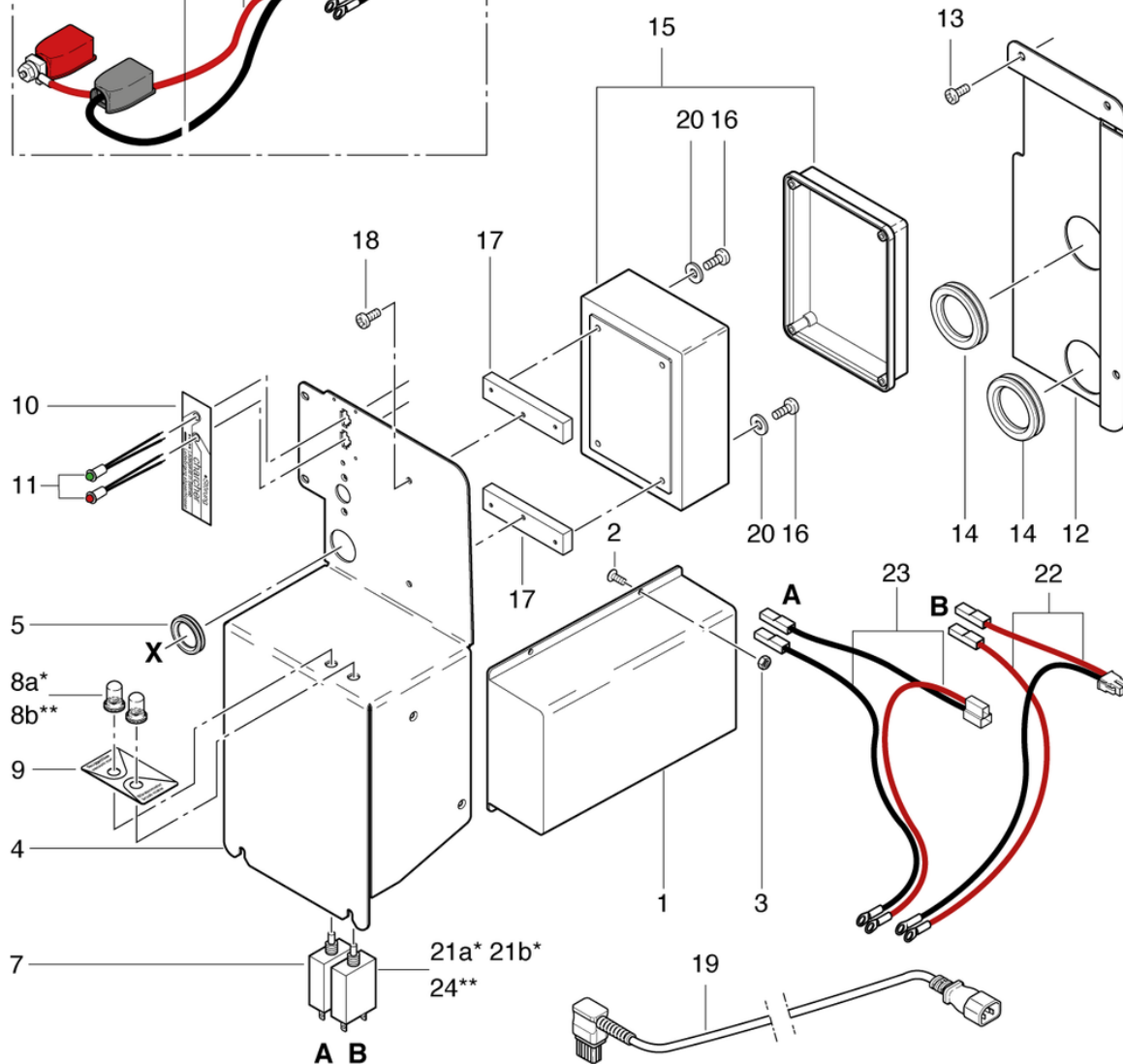
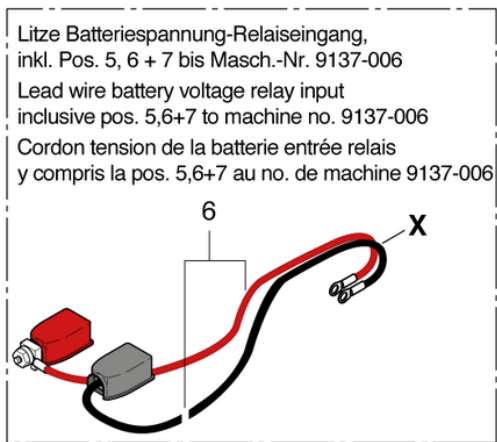
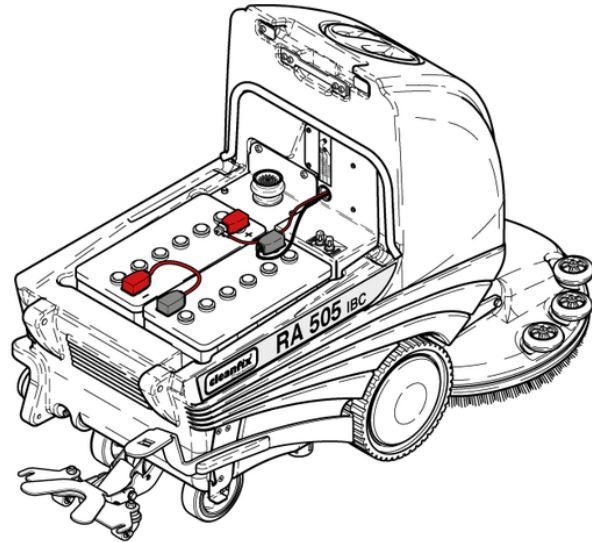
PDF created on: 10.11.2023 19:34



RA 505 IBC

* bis Masch.-Nr. / to machine no. / au no. de machine
50 2020

** ab Masch.-Nr. / from machine no. / de no. de la machine
01 2021



Pos.	Item no.	Spare part
1	555.497	Charger 24V/12A
2	P479B	Screw DIN 965 M4 x 10 A2
3	P490B	nut DIN 934 M4
4	565.498	Cover
5	565.499	Membrane socket
6	565.258	Lead wire battery voltage relay input
7	500.957	Protection Switch
8a	500.957A	Protective Cap
8b	470.710A	Protection cap
9	565.485	Sticker for protect switch
10	555.493	covering adhesive
11	555.498	LED
12	565.486	Metal plate ELG2415
13	P476AC	Screw DIN 7985 M5 x 8
14	565.447	Membrane socket
15	436.770B	electronicboard V3.0 incl.case
16	P486A	Screw DIN 912 M4 x 12
17	555.496	Adapter
18	P489E	Screw DIN 912 M5 x 10 A2
19	565.489	Cable harness charger
20	P496C	Shim DIN 9021 M4 4,3/12/1
21a	500.959	Protect Switch 30A
21b	555.444	Conversion kit motor RA505 IBC
22	555.587	Cable harness brush drive
23	565.674	Cable harness Aspirator Engine
24	565.118	Motor protection switch 35A

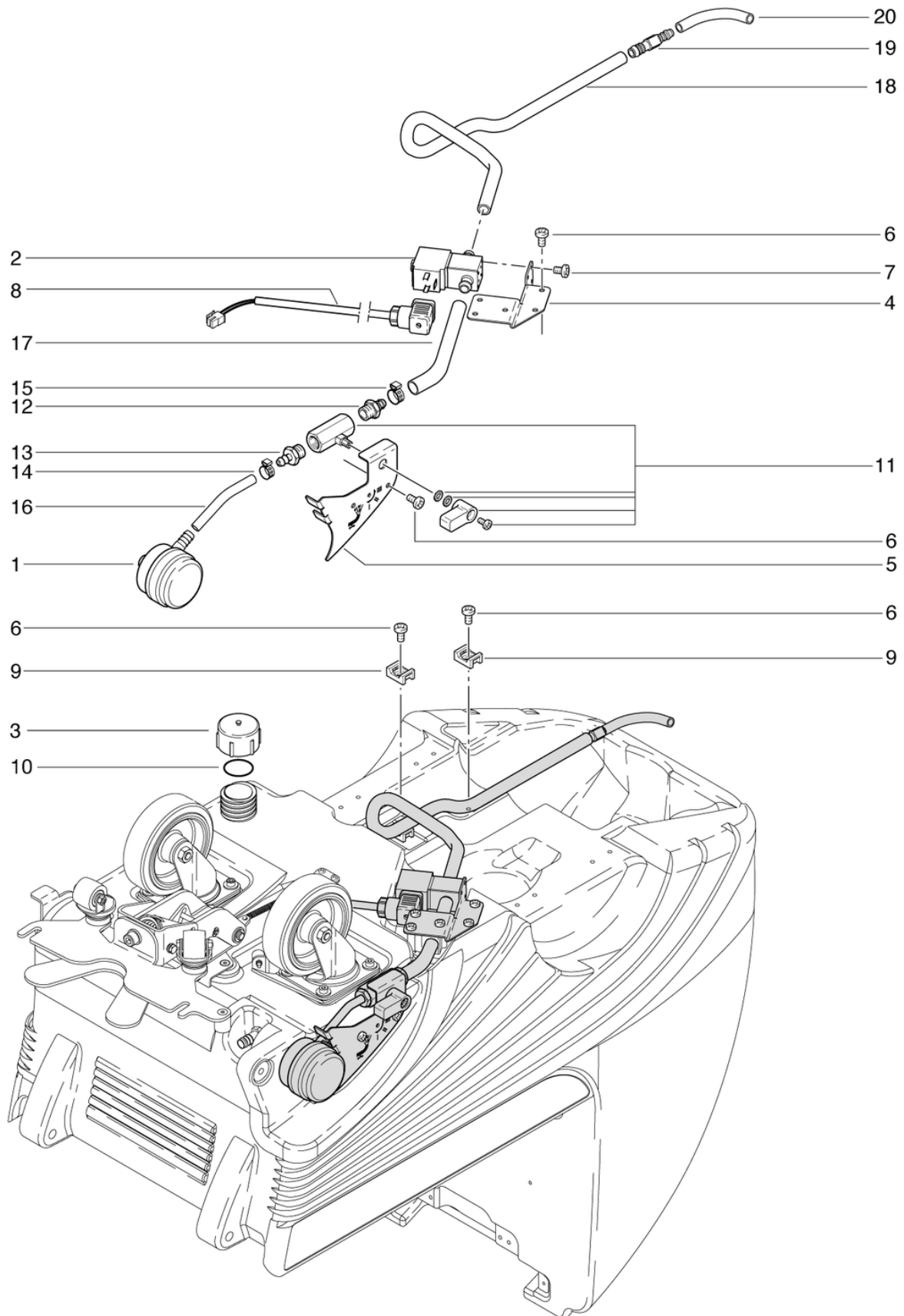
CLEANFIX RA 505 IBC VDE

Water distribution

PDF created on: 10.11.2023 19:34



RA 505 IBC



Pos.	Item no.	Spare part
1	565.760	Fresh water filter processed
2	P258	Magnetic valve 24V
3	432.110	Cover for Execution
4	565.403	Support
5	555.402	Support
6	P476AC	Screw DIN 7985 M5 x 8
7	P516P	Screw WN 1452 K40 x 12
8	436.709	Cable For Magnetic Valve
9	125.111	Cable tie holder
10	500.411	Seal for cover
11	500.355	Solution Valve
12	P519B	Nipple 1/2
13	P519C	Nipple
14	P550A	Hose clamp 14.5-706R
15	P550N	Hose clamp 19.8-706R
16	565.422	Hose
17	555.404	Hose magnetic valve-nipple straight 12 x 180mm
18	555.403	Hose magnetic valve-nipple 12 x 530mm
19	P540A	Straight nipple GRS 12-10
20	555.405	Hose Ø 10x50

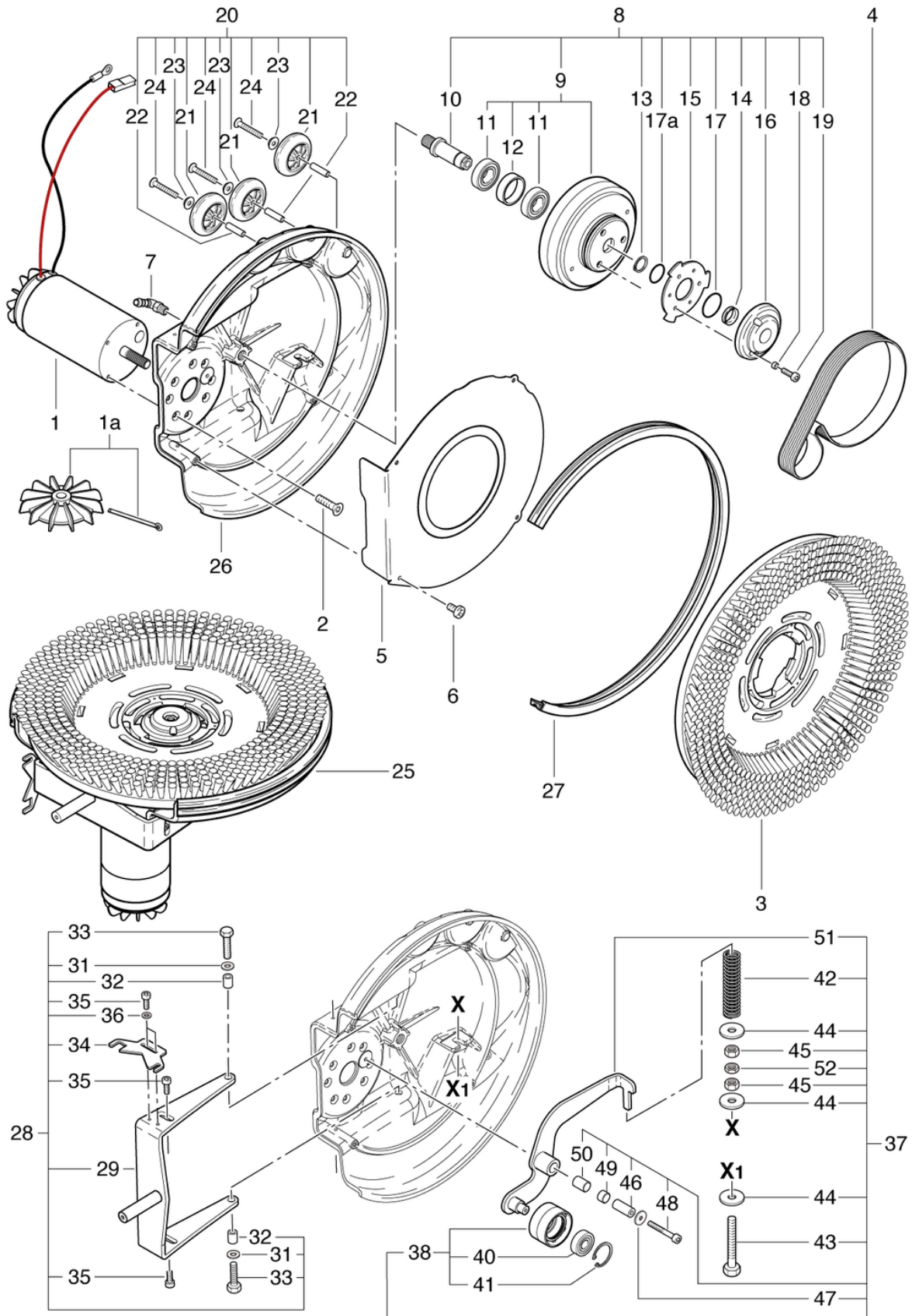
CLEANFIX RA 505 IBC VDE

Brush head

PDF created on: 10.11.2023 19:34



RA 505 IBC



Pos.	Item no.	Spare part
1a	565.593	Brush Motor Fan
1	555.591	Brush Motor 24V DC 600W
2	P479RA	Screw DIN 7991 M8 x 20
3	730.059	Scrubbing brush PPN 0,6, Ø 51cm
4	6390520	Poly-V-belt 15-PJ-864mm Lw
5	555.595	Cover
6	P476AC	Screw DIN 7985 M5 x 8
7	P541J	Elbow nipple WES 10 / R1 / 4
8	555.124	Belt Wheel Complete
9	742.130	Belt wheel Type 1
10	555.592	Bearing pin
11	P316P	Deep groove ball bearing 6205 2RS ø52 / 25 x 15
12	3611851	Spacer ring ø 52 / 45 x 15
13	P513D	Ring DIN 471 25/1,2
14	P344	Shaft sealing ring 25x40x3 EPDM/V2A
15	742.141	Pad Hub
16	742.128	Brush Support
17a	P964A	Ring DIN 3771 55,25/2,62 EPDM
17	P964B	Ring DIN 3771 42,52/2,62 EPDM
18	742.129	Distance ring ø 8 / 6 x 4
19	P487S	Screw DIN 912 M6 x 20 A2
20	555.580	Distance roll assy.
21	555.510	Wheel
22	555.589	Shell
23	P500Q	Washer SN 213912 M6 18/4,8
24	P479NA	Screw DIN 7991 M6 x 40
25	555.500	Brush head single cpl.
26	555.586	Casting head with bounce protection (incl. No 27)
27	555.598	Bumper
28	555.550	Brush Head Lift
29	555.596	Fork Assy RA505
31	P496P	Washer DIN 125 A M8 8,4/16/1,6 A2
32	555.597	Bush fork
33	P473G	Screw DIN 933 M8 x 30 A2
34	555.599	comb
35	P486Q	Screw DIN 912 M6 x 12 A2
36	P496K	Shim DIN 125 A M6 6,4/12/1,6
37	555.600	Belt Tension Complete
38	742.116	Tension pulley ø65.2 x 37 cpl.
40	P316O	Deep groove ball bearing 6302 2RSR ø42 / 15 x 13
41	P513G	Ring DIN 472 42/1,75

Pos.	Item no.	Spare part
42	565.516	Compression spring VD-307 3.2 / 23.2 / 105
43	P471Y	Screw DIN 933 M10 x 80
44	P496S	Washer DIN 9021 M10 10,5/30/2,5 A2
45	P491N	Nut DIN 934 M10 St galvanized
46	555.588	Cartridge
47	P510L	Washer DIN 522 M6 6,4/25/1,5 A2
48	P488M	Screw DIN 912 M6 x 50 A2 with shaft
49	P316G	Plain bearing d16 GSM-1618-12
50	P316T	Plain bearing d16 GSM-1618-25
51	555.594	Tension lever
52	P491R	Nut DIN 439 B M10 x 0.5d St vz

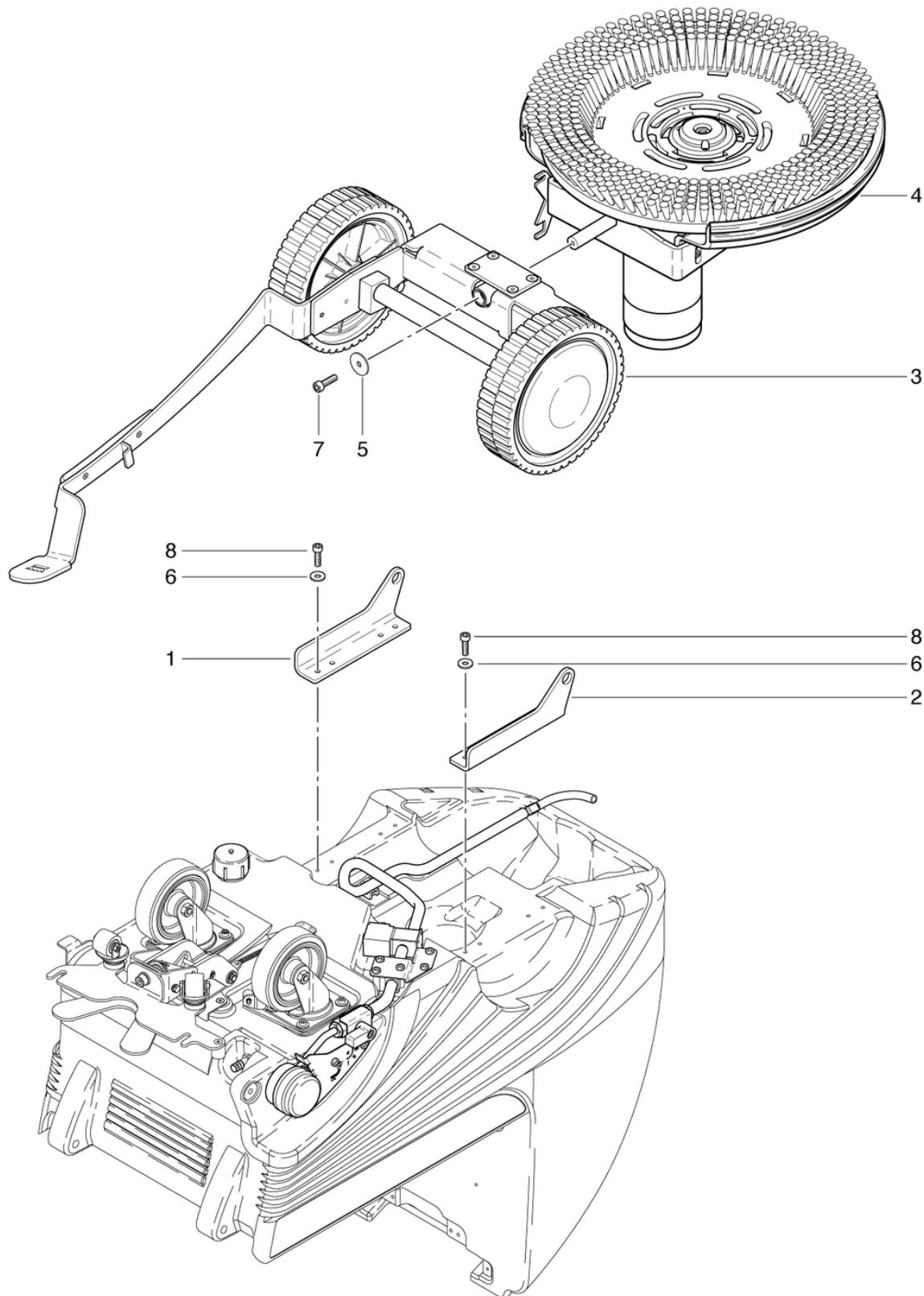
CLEANFIX RA 505 IBC VDE

Chassis assembly brush head

PDF created on: 10.11.2023 19:34



RA 505 IBC



Pos.	Item no.	Spare part
1	565.453	Bar right
2	565.462	Holder strip on the left
3	555.320	Lift mechanism
4	555.500	Brush head single cpl.
5	P496PA	Washer DIN 522 M8 8,4/35/2,5
6	P498U	Ring DIN 127 B M6 6,1/11,8/1,6 A2
7	P487B	Screw DIN 912 M8 x 20
8	P486X	Screw DIN 912 M6 x 22

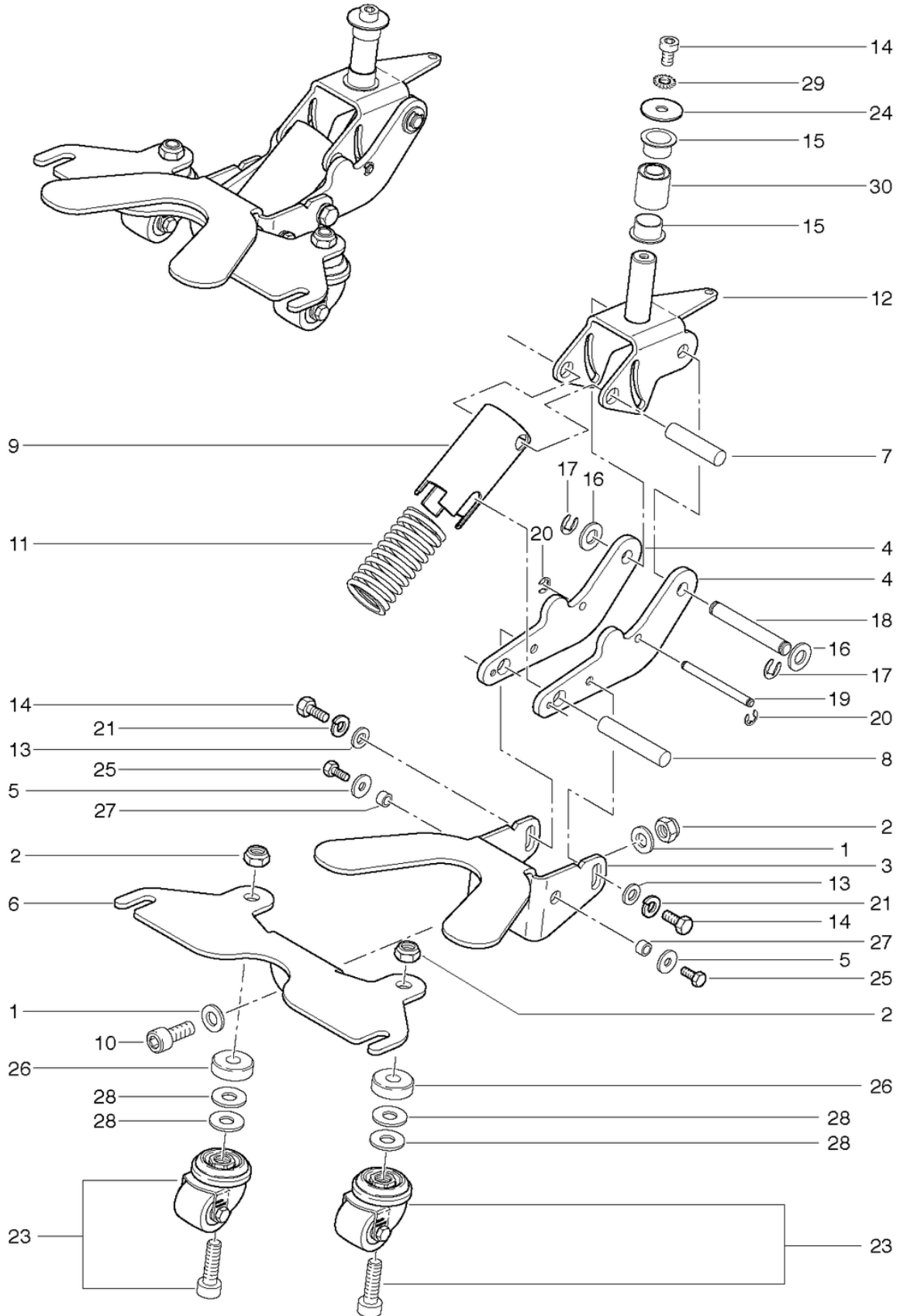
CLEANFIX RA 505 IBC VDE

Suction nozzle suspension up to machine no. 9528.999

PDF created on: 10.11.2023 19:34



RA 505/605 IBC/IBCT



Pos.	Item no.	Spare part
1	P510A	Shim DIN 125 A M10 10,5/20/2 PA6.6
2	P492Q	Nut DIN 985 M10
3	565.521A	Tread stainless
4	565.522A	Support shaft stainless
5	P497H	Washer DIN 9021 M6 6,4/18/1,6 A2
6	565.528A	Girder sheet metal stainless
7	565.524A	Stainless steel hinge bolt
8	565.525A	Pin stainless
9	565.526A	Spiral tube stainless
10	P487K	Screw DIN 912 M10 x 25
11	565.527	Compression spring VD-327 4/36/120
12	565.529	Plate
13	P496P	Washer DIN 125 A M8 8,4/16/1,6 A2
14	P471D	Screw DIN 933 M8 x 16
15	P316S	Plain bearing with collar GFM-1820-12
16	P496T	Shim DIN 125 A M10 10,5/20/2
17	P499Q	Shim DIN 6799 8/16,3/1
18	565.530	Pin
19	565.531	Pin
20	P513Z	Shim DIN 6799 5/11,3/0,7
21	P498N	Ring DIN 127 B M8 8,1/14,8/2
23	P209A	Caster with Screw M10 x 25
24	P500N	Washer DIN 522 M8 8,4/30/1,5 A2
25	P470T	Screw DIN 933 M6 x 16
26	565.537	Distance ring ø30/10,5 x 10
27	080.267	Bushing ø 10 / 6.5 x 6 A2
28	P496S	Washer DIN 9021 M10 10,5/30/2,5 A2
29	P498G	Shim DIN 6798 M8 8,4/15/0,8
30	565.463	Spring Element 20/38 x 48

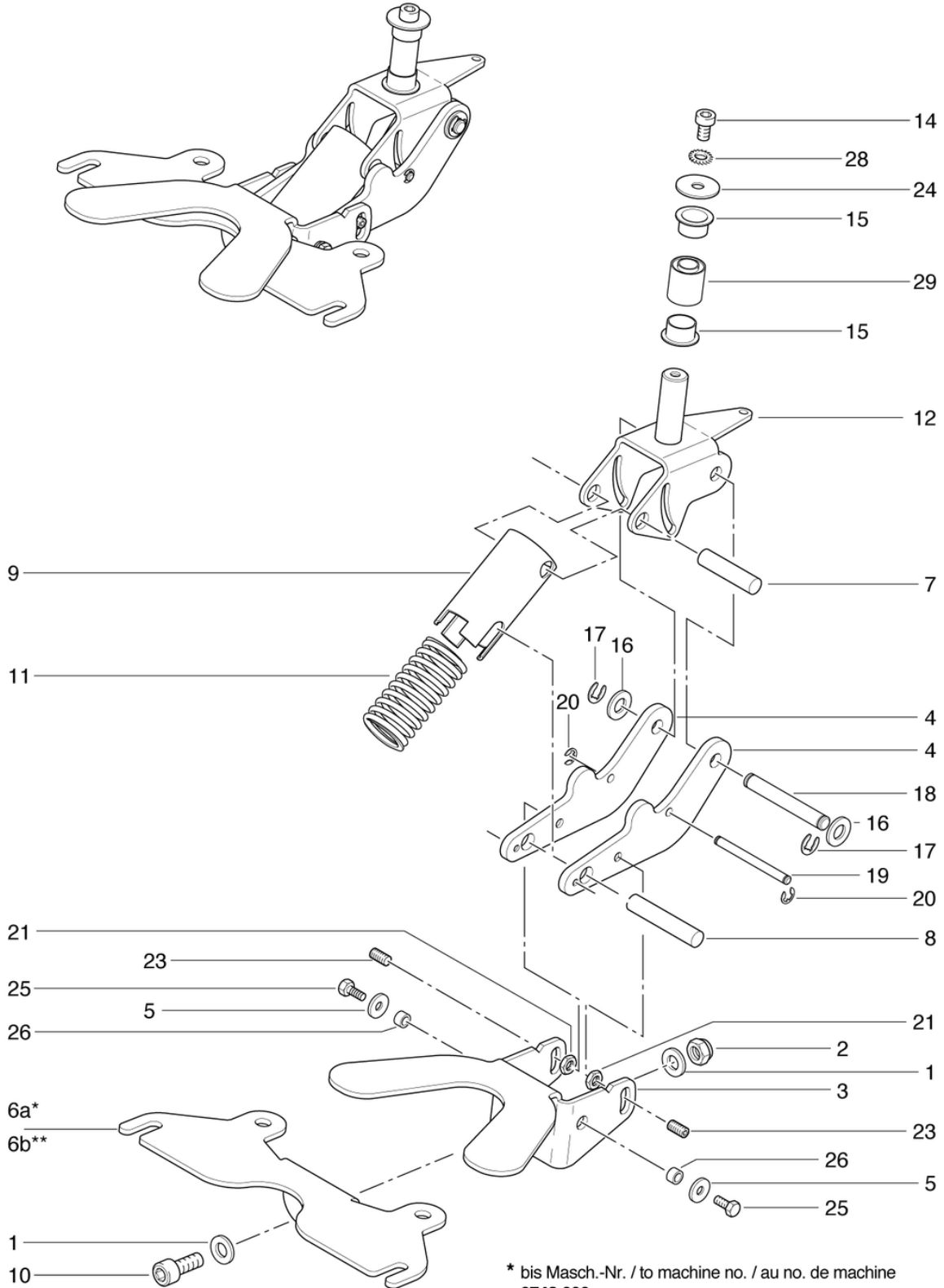
CLEANFIX RA 505 IBC VDE

Suction nozzle suspension as from no 9532.000

PDF created on: 10.11.2023 19:34



RA 505 IBC



* bis Masch.-Nr. / to machine no. / au no. de machine
9748.999

** ab Masch.-Nr. / from machine no. / de no. de la machine
9749.001

Pos.	Item no.	Spare part
1	P510A	Shim DIN 125 A M10 10,5/20/2 PA6.6
2	P492Q	Nut DIN 985 M10
3	565.521A	Tread stainless
4	565.522A	Support shaft stainless
5	P497H	Washer DIN 9021 M6 6,4/18/1,6 A2
6a	565.523	Girder
6b	565.528A	Girder sheet metal stainless
7	565.524A	Stainless steel hinge bolt
8	565.525A	Pin stainless
9	565.526A	Spiral tube stainless
10	P487K	Screw DIN 912 M10 x 25
11	565.527	Compression spring VD-327 4/36/120
12	565.529	Plate
14	P471D	Screw DIN 933 M8 x 16
15	P316S	Plain bearing with collar GFM-1820-12
16	P496T	Shim DIN 125 A M10 10,5/20/2
17	P499Q	Shim DIN 6799 8/16,3/1
18	565.530	Pin
19	565.531	Pin
20	P513Z	Shim DIN 6799 5/11,3/0,7
21	P491M	Nut DIN 439 M8 St galvanized
23	P482XE	Pin DIN 913 M8 x 16 St galvanized
24	P500N	Washer DIN 522 M8 8,4/30/1,5 A2
25	P470T	Screw DIN 933 M6 x 16
26	080.267	Bushing \varnothing 10 / 6.5 x 6 A2
28	P498G	Shim DIN 6798 M8 8,4/15/0,8
29	565.463	Spring Element 20/38 x 48

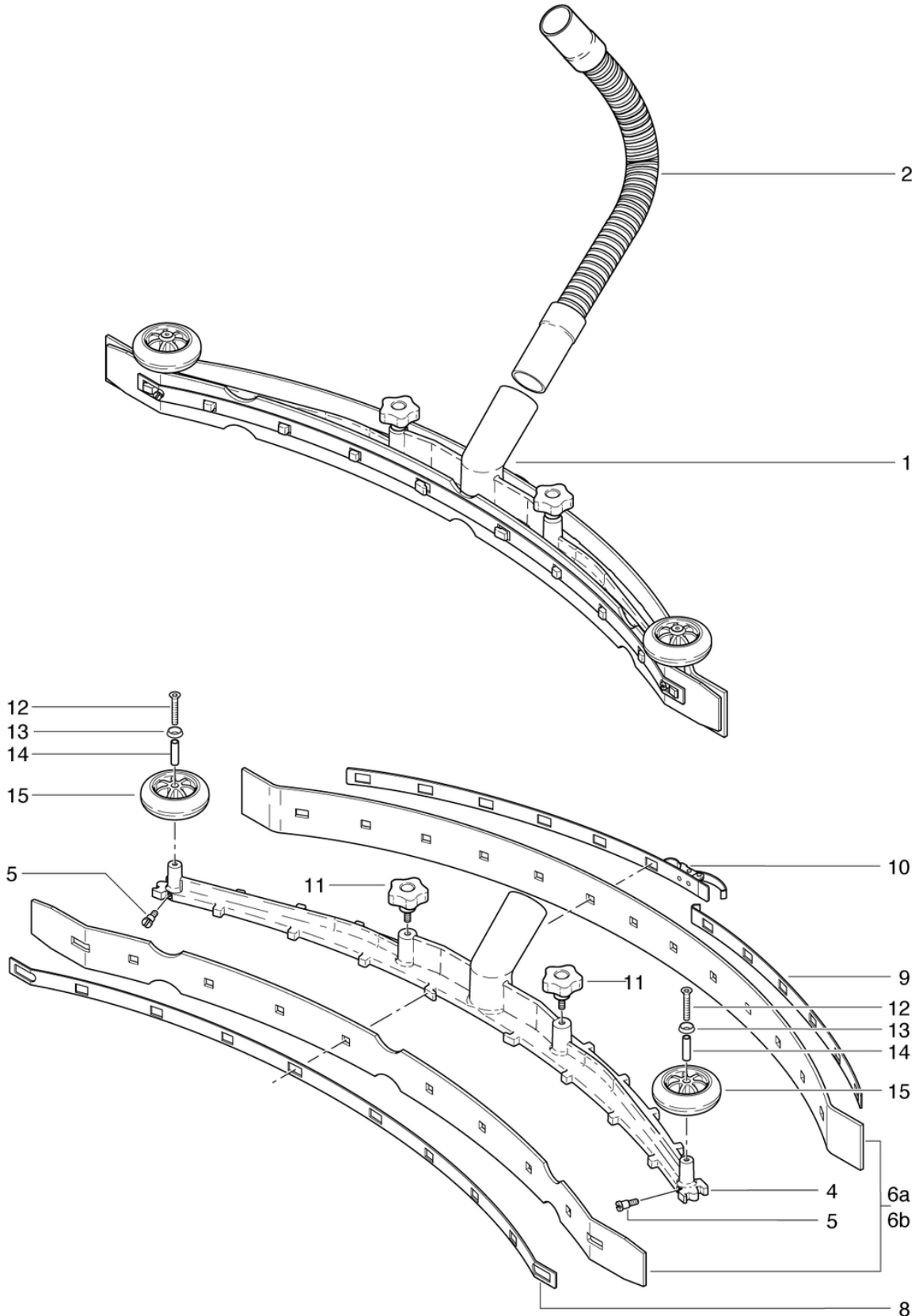
CLEANFIX RA 505 IBC VDE

Suction nozzle curved up to machine no. 9528.999

PDF created on: 10.11.2023 19:34



RA 505 IBC



Pos.	Item no.	Spare part
1	555.560	Suction nozzle curved standard compl.
2	701.580	Suction hose 0.91m cpl.
4	555.570	Suction Nozzle RA505
5	555.566	Shank
6a	565.080LT	Squeegee Set red
6b	565.081	Squeegee Set grease and oil resistant
8	555.564	Squeegee retaining band
9	555.562	External Right Fixation
10	555.563	Right Fixation
11	P253M	Star grip Ø62 M8 x 18 A2
12	P479NA	Screw DIN 7991 M6 x 40
13	P500Q	Washer SN 213912 M6 18/4,8
14	555.589	Shell
15	555.510	Wheel

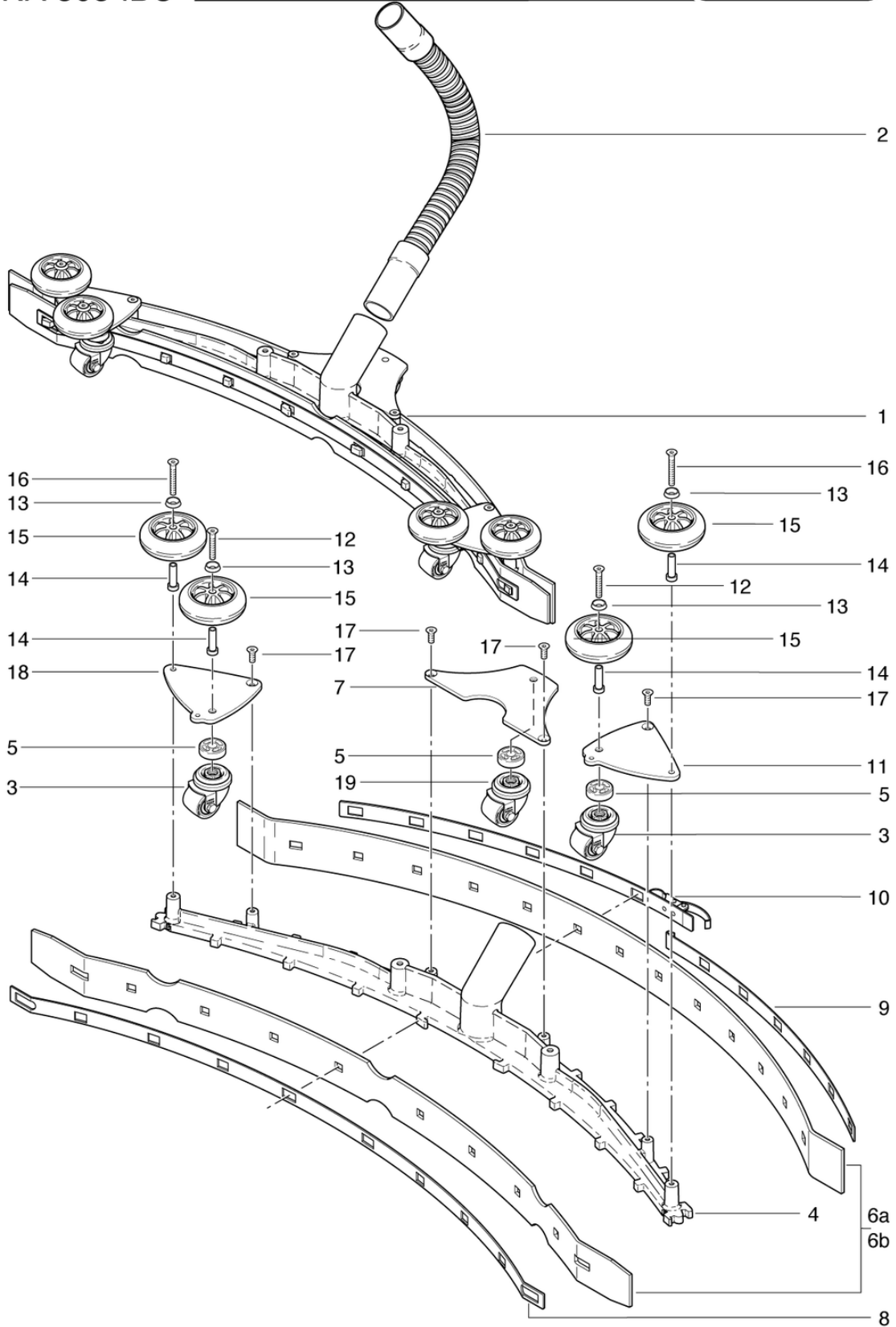
CLEANFIX RA 505 IBC VDE

Suction nozzle curved from machine no. 9532.000 to machine no. 334496.999

PDF created on: 10.11.2023 19:34



RA 505 IBC



Saugdüse gebogen / Suceur concave / Suction nozzle curved
ab Masch.-Nr. / de no. de la machine / from machine no. 9532.000
bis Masch.-Nr. / au no. de machine / to machine no. 334496.999

B 15a-04.2017

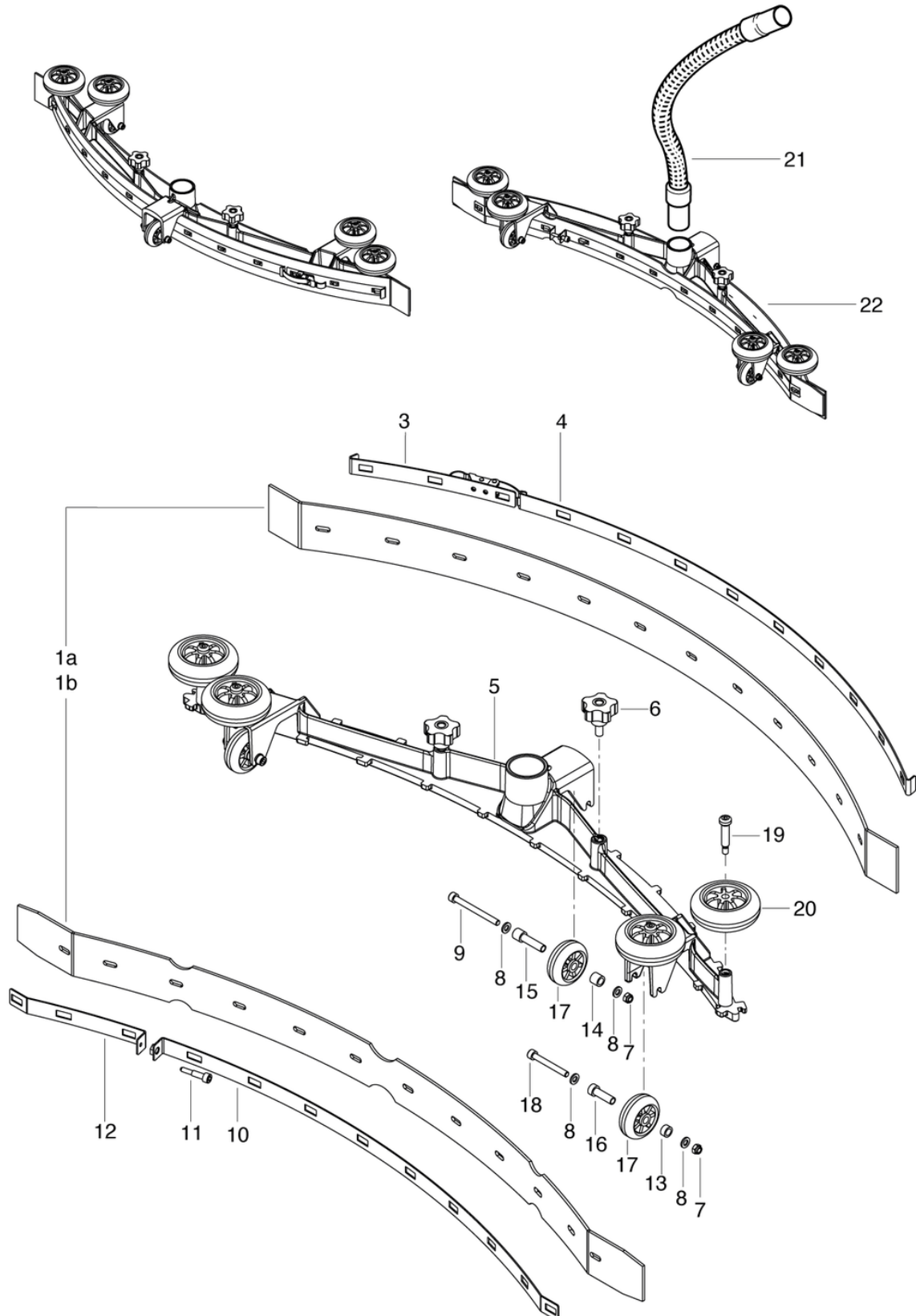
Pos.	Item no.	Spare part
1	565.565	Suction Nozzle
2	701.580	Suction hose 0.91m cpl.
3	P209A	Caster with Screw M10 x 25
4	555.570	Suction Nozzle RA505
5	565.537	Distance ring ø30/10,5 x 10
6a	565.080LT	Squeegee Set red
6b	565.081	Squeegee Set grease and oil resistant
7	565.544	Support arrière
8	555.564	Squeegee retaining band
9	565.542	External left fixation
10	565.541	External right fixation
11	565.543	Retaining plate left
12	P479NA	Screw DIN 7991 M6 x 40
13	P500Q	Washer SN 213912 M6 18/4,8
14	565.586	Shell
15	555.510	Wheel
16	P479ND	Screw DIN 7991 M6 x 50
17	P487W	Screw DIN 7991 M6 x 16 A2
18	565.545	Retaining plate right
19	P209D	Castor with Screw M10 x 35

CLEANFIX RA 505 IBC VDE

Suction nozzle curved from machine no. 335664.001

PDF created on: 10.11.2023 19:34

RA 505 IBC



Pos.	Item no.	Spare part
1a	555.080LT	Rubber blade standard
1b	555.083	Rubber blade oil resistant
3	565.587	Support plate rear right
4	565.579	Support plate rear left
5	565.577	Suction nozzle body
6	P253M	Star grip Ø62 M8 x 18 A2
7	P492K	Nut DIN 985 M6 A2
8	P497K	Washer DIN 125 A M6 6,4/12/1,6 A2
9	P470F	Screw DIN 912 M6 x 65 A2
10	565.578	Support plate front left
11	800.425	Machined screw DIN 912 M6 x 30 A2
12	565.588	Support plate front right
13	605.304	Bushing Ø12 x Ø8 x 4.7
14	605.302	Bushing Ø12 x Ø8 x 9.5
15	605.301	Bushing Ø12 x Ø6.1 x 41
16	605.303	Bushing Ø12 x Ø6.1 x 31.4
17	P204E	Wheel with solid rubber tires D50mm
18	P470B	Screw DIN 912 M6 x 55
19	P481RB	Screw ISO 7379 8 x 30 M6
20	P204L	Skater wheel ø75
21	565.640	Hose complete
22	565.565A	Suction nozzle curved

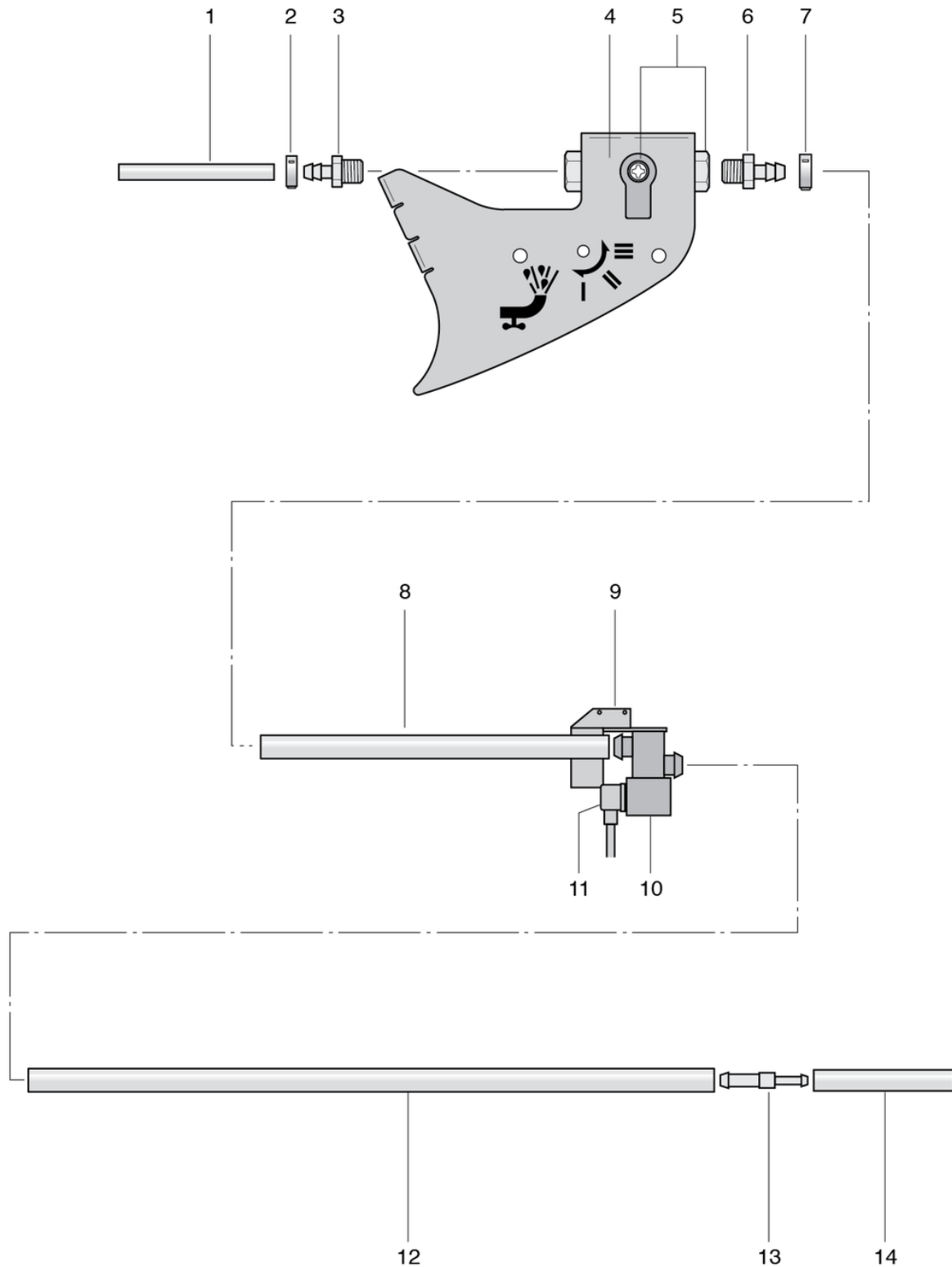
CLEANFIX RA 505 IBC VDE

Hose system

PDF created on: 10.11.2023 19:34



RA 505 IBC



Pos.	Item no.	Spare part
1	565.422	Hose
2	P550A	Hose clamp 14.5-706R
3	P519C	Nipple
4	555.402	Support
5	500.355	Solution Valve
6	P519B	Nipple 1/2
7	P550N	Hose clamp 19.8-706R
8	555.404	Hose magnetic valve-nipple straight 12 x 180mm
9	565.403	Support
10	P258	Magnetic valve 24V
11	436.709	Cable For Magnetic Valve
12	555.403	Hose magnetic valve-nipple 12 x 530mm
13	P540A	Straight nipple GRS 12-10
14	555.405	Hose Ø 10x50

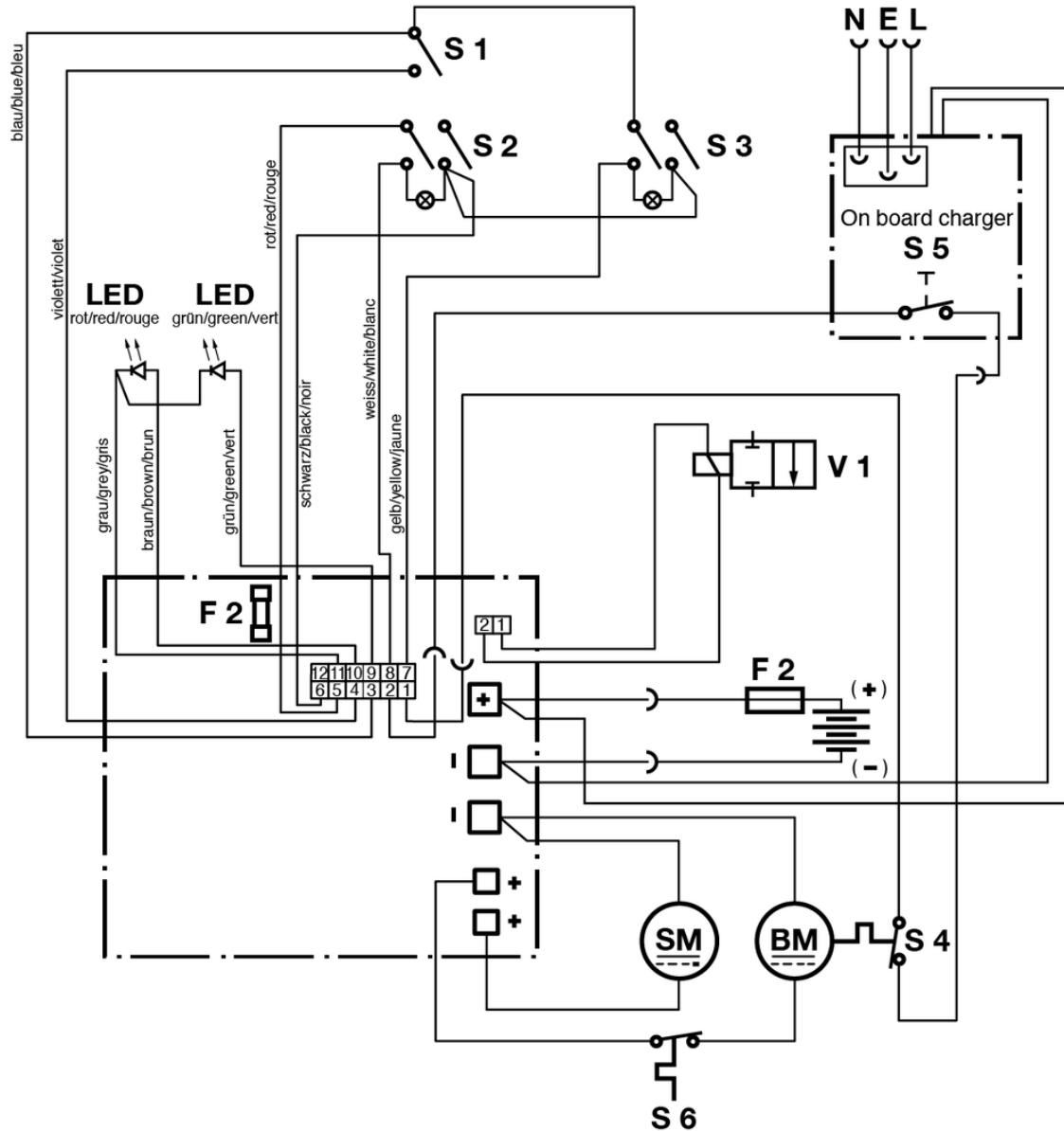
CLEANFIX RA 505 IBC VDE

Wiring diagram

PDF created on: 10.11.2023 19:34



RA 505 IBC



- S 1 = Schalter Bürstmotor / Switch for brush motor / Interrupteur pour moteur
- S 2 = Schalter Ventil / Valve - Switch / Interrupteur pour valve
- S 3 = Schalter Saugmotor / Suction motor switch / Interrupteur pour moteur
- S 4 = Motor Temperaturwächter / Motor Temperature switch
- S 5 = Schalter für Fahrsperr / Switch for driving barrier /
Commutateur pour amortissement
- S 6 = Motorschutzschalter / Protective switchgear of an engine / Disjoncteur
- BM = Bürstmotor / Motor / Moteur
- SM = Saugmotor / Moteur d'aspiration / Vacuum motor
- V 1 = Ventil / Valve
- F 1 = Sicherung 3.15 A / Fuse 3.15 A / Fusible 3.15 A
- F 2 = Sicherung 75 A / Fuse 75 A / Fusible 75 A