

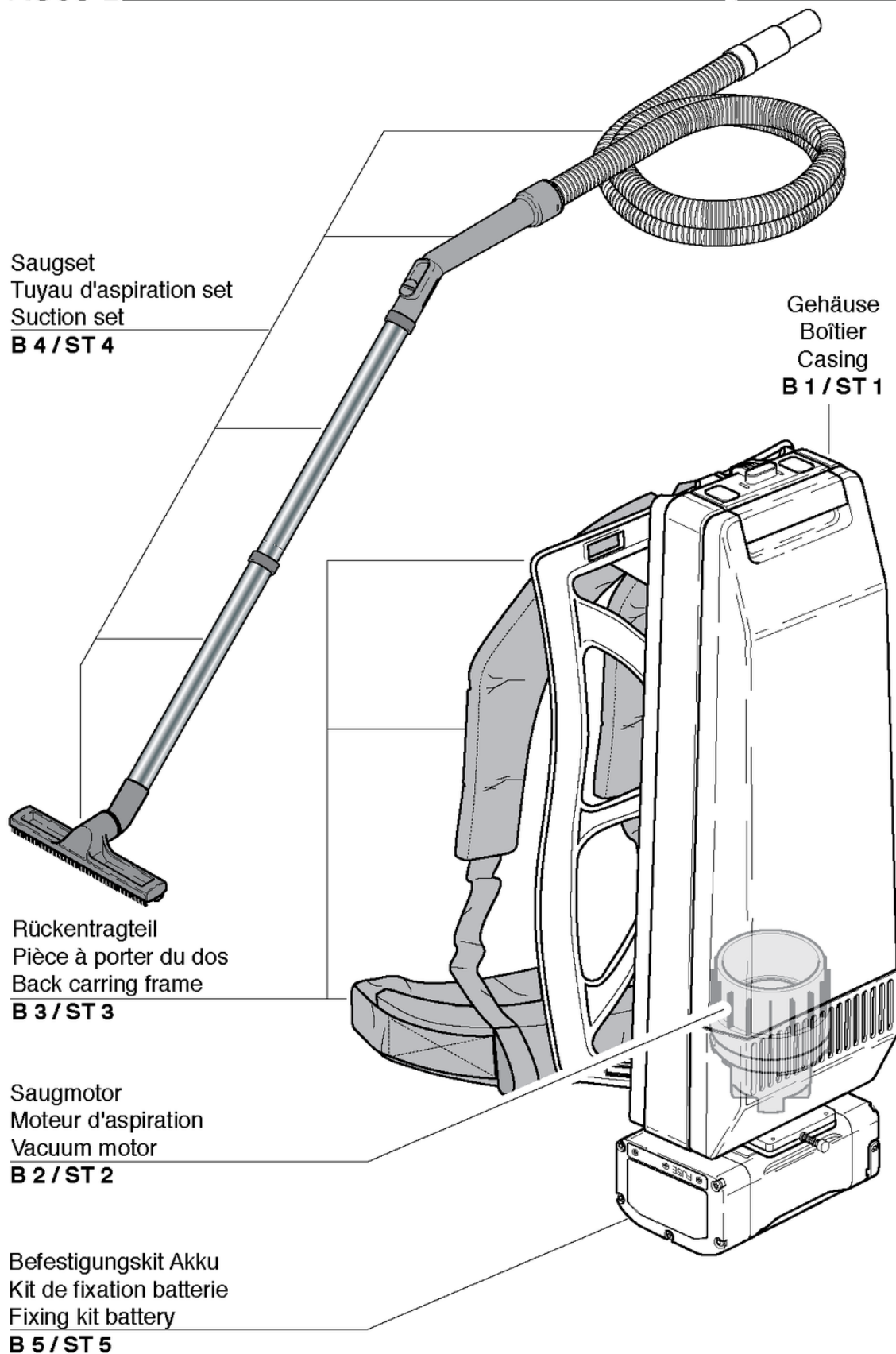
CLEANFIX RS08 B VDE

Contents

PDF created on: 10.11.2023 20:14



RS08 B



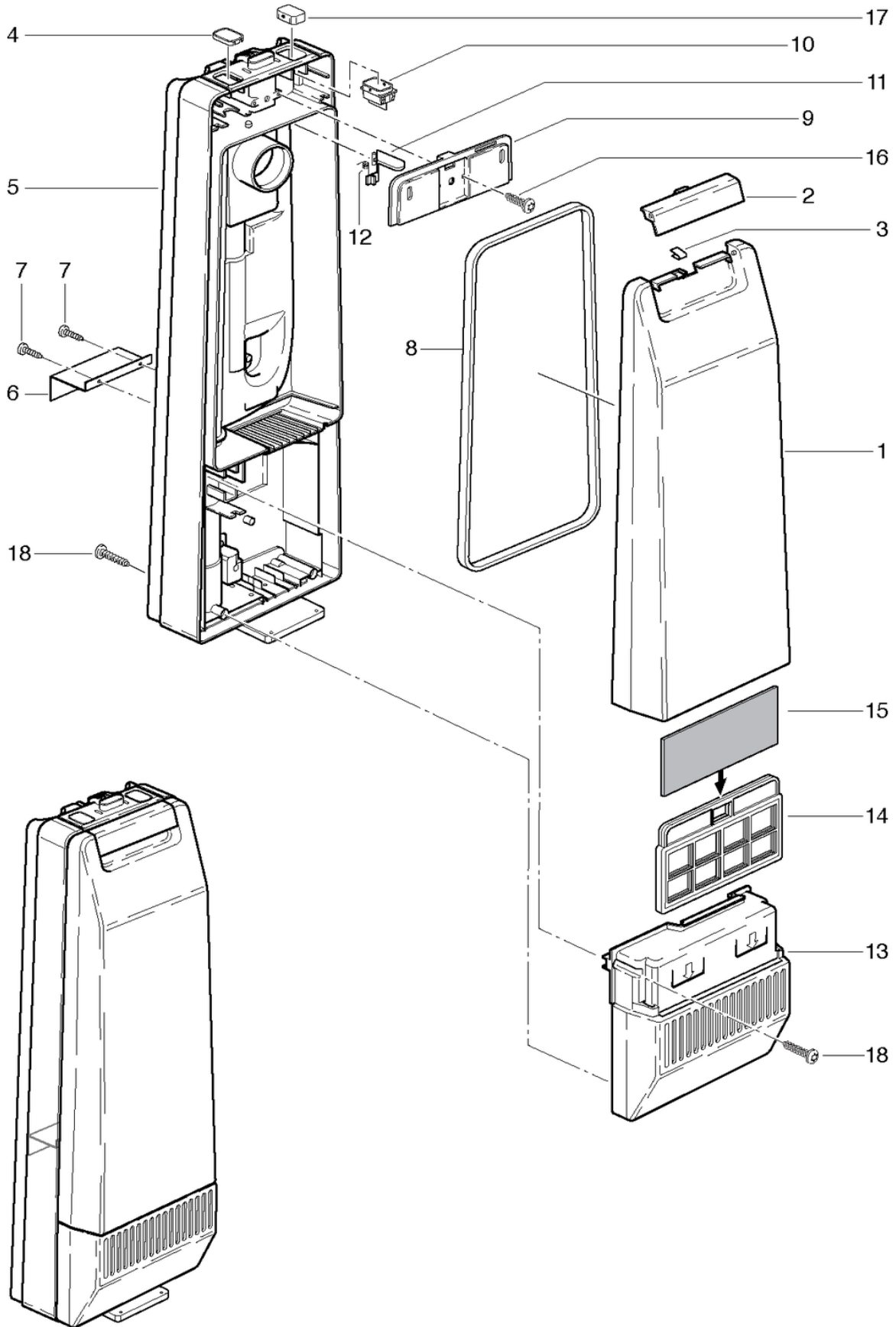
CLEANFIX RS08 B VDE

Casing

PDF created on: 10.11.2023 20:14



RS08 B



Pos.	Item no.	Spare part
1	029.023	Housing cover
2	029.022	Button red
3	029.021	Leaf spring
4	029.011	Cover panel
5	029.016	Back cover plate
6	029.015	Angle
7	P516P	Screw WN 1452 K40 x 12
8	029.031	Sealing cord
9	029.020	Cover plate
10	029.017	Switch housing
11	029.018	red bar
12	029.019	Leg spring
13	029.035	Fan cover red
14	029.034	Filter cartridge
15	029.032	Exhaust air filter
16	P516C	Screw WN 1452 K40 x 16
17	029.042	Blind cap
18	P517E	Screw WN 1452 K40 x 20

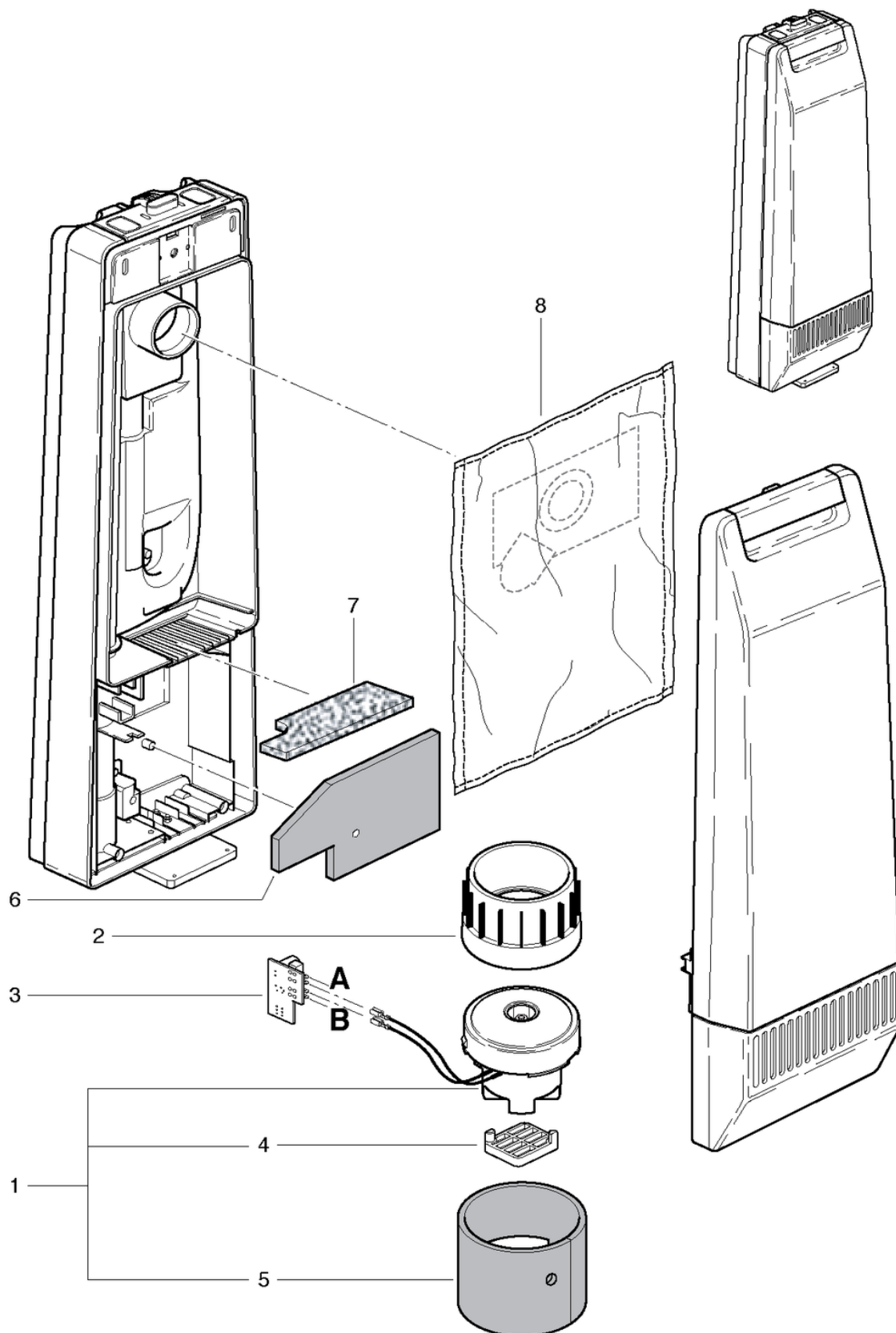
CLEANFIX RS08 B VDE

Vacuum motor

PDF created on: 10.11.2023 20:14



RS08 B



Pos.	Item no.	Spare part
1	029.033	24V suction motor
2	029.030	Adapter
3	029.040	Elektronic
4	029.029	Engine mount
5	029.028	Noise reduction
6	029.027	Insulation board
7	029.026	Motor protection filter
8	029.039	Fleece bag (5 pièces)

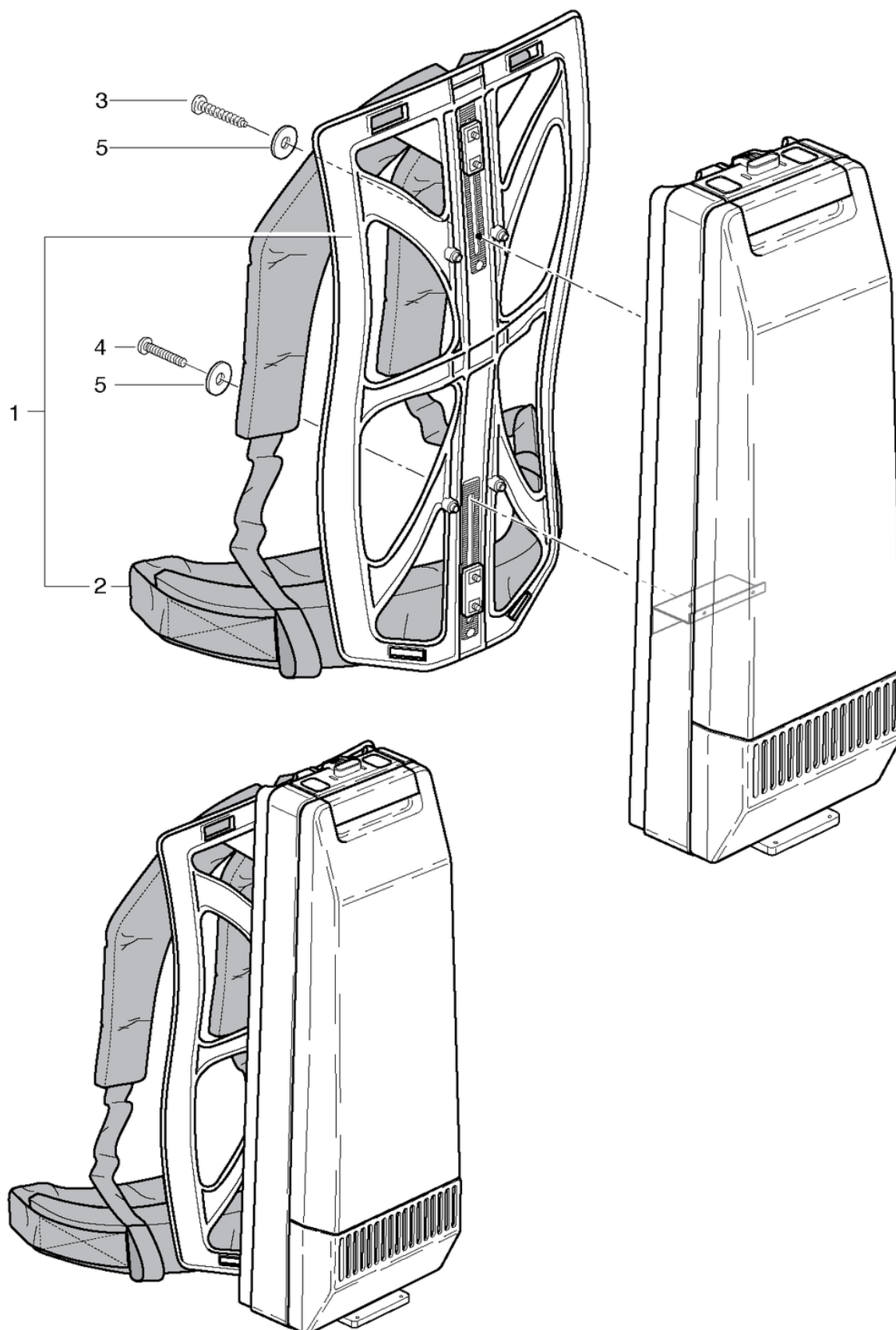
CLEANFIX RS08 B VDE

Back carrying part

PDF created on: 10.11.2023 20:14



RS08 B



Pos.	Item no.	Spare part
1	025.150	Adjustable carrying frame cpl.
2	025.159	Carrier set for RS05
3	P516A	Screw WN 1452 K30 x 10 A2
4	P476I	Screw DIN 7985 M5 x 30
5	029.013	Washer ISO 4759 20 / 5.3 / 1.25

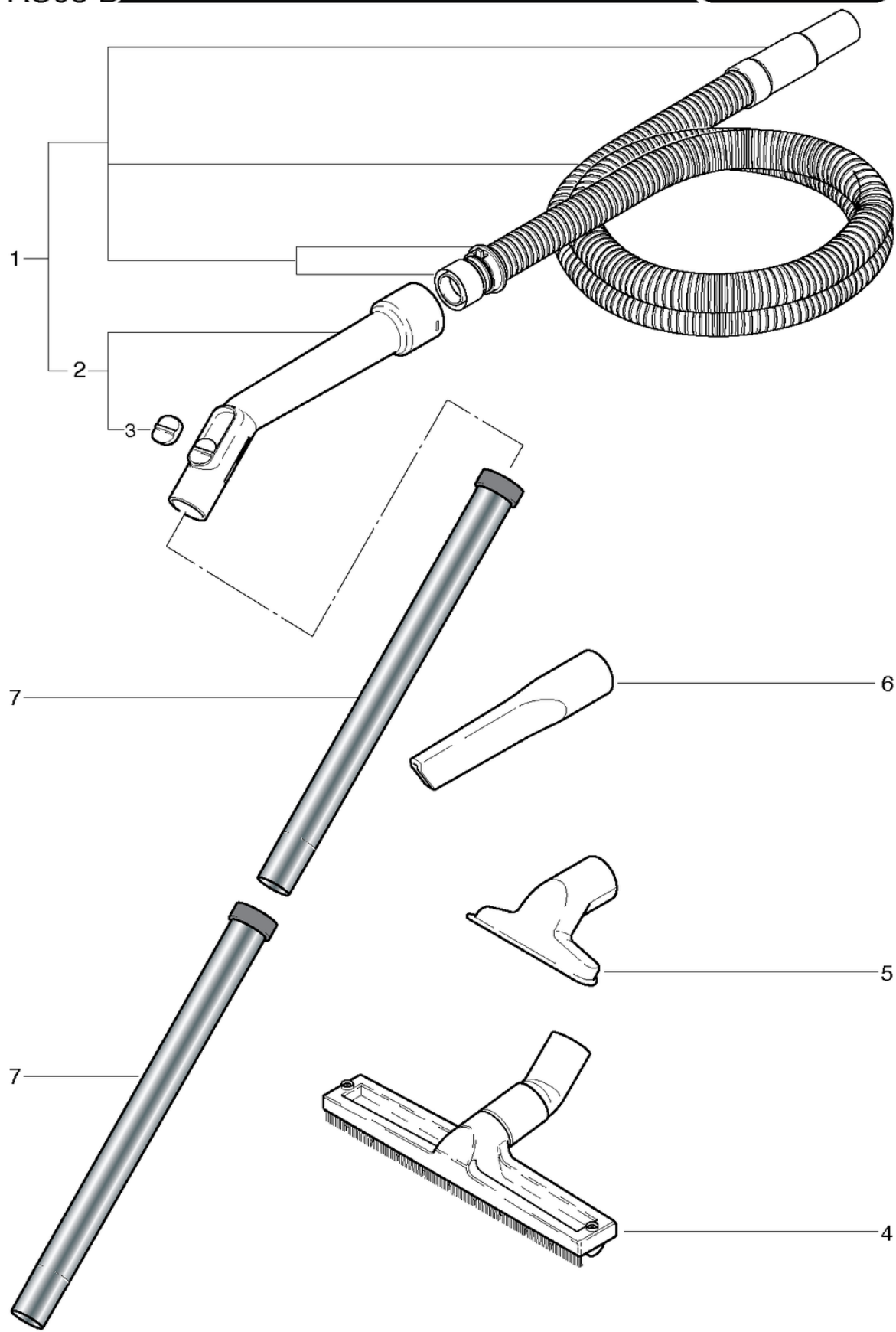
CLEANFIX RS08 B VDE

Suction set

PDF created on: 10.11.2023 20:14



RS08 B



Pos.	Item no.	Spare part
1	029.038	Suction hose 1,5m, with hand tube
2	900.670	Hand tube with defective air flap and slide
3	P581B	Slide
4	646.200	Hard floor nozzle with brush strip, 30cm
5	645.004	Upholstery nozzle
6	645.006	Rubber crevice tool
7	645.002	Metallic tube

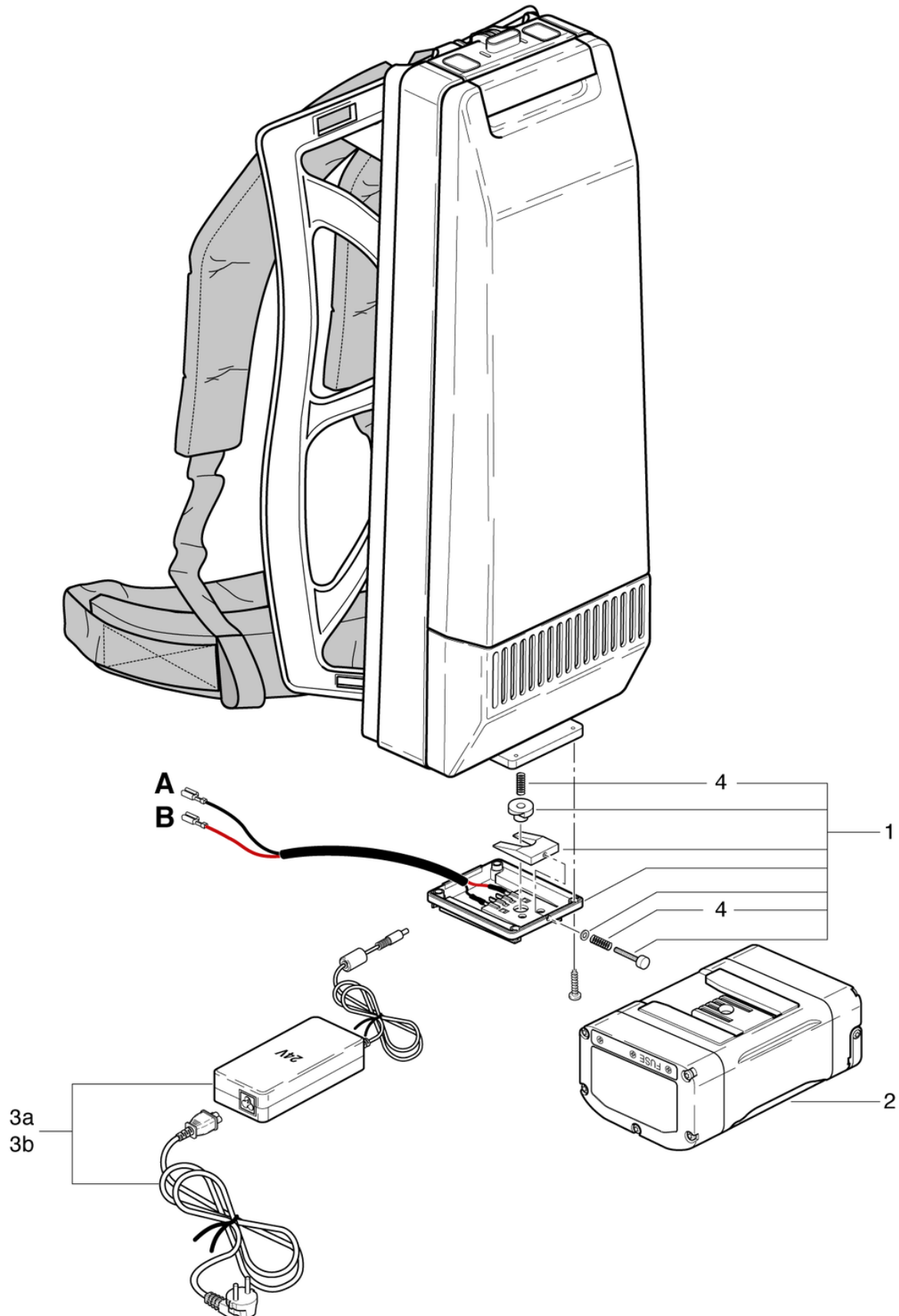
CLEANFIX RS08 B VDE

Fixing kit battery

PDF created on: 10.11.2023 20:14



RS08 B



Pos.	Item no.	Spare part
1	029.036	Mounting kit battery
2	029.037	Lithium battery 24V / 11.6Ah
3a	029.041SEV	Battery charger 24V / 60W SEV
3b	029.041VDE	Charger 24V 60W VDE
4	029.043	Compression spring for mounting kit