

# Cleanfix RS05 CAS (without batteries)

## Contents

PDF created on: 10.11.2023 20:12

B0- 06.2023



Saugset  
Tuyau d'aspiration set  
Suction set  
**B 5**

Oberteil  
Pièce supérieure  
Upper cover  
**B 1**

Saugmotor  
Moteur d'aspiration  
Vacuum motor  
**B 2**

Rückentragteil  
Pièce à porter du dos  
Back carrying frame  
**B 5**

Einbau CAS Akku  
Installation des batteries CAS  
Installation CAS batteries  
**B 4**

Unterteil  
Pièce inférieure  
Lower cover  
**B 3**



CAS Ladegerät Duo  
CAS chargeur duo  
CAS charger duo  
**025.512 (SEV) / 025.513 (VDE)**

Stromlaufplan  
Diagramme électrique  
Wiring diagram  
**B 6**

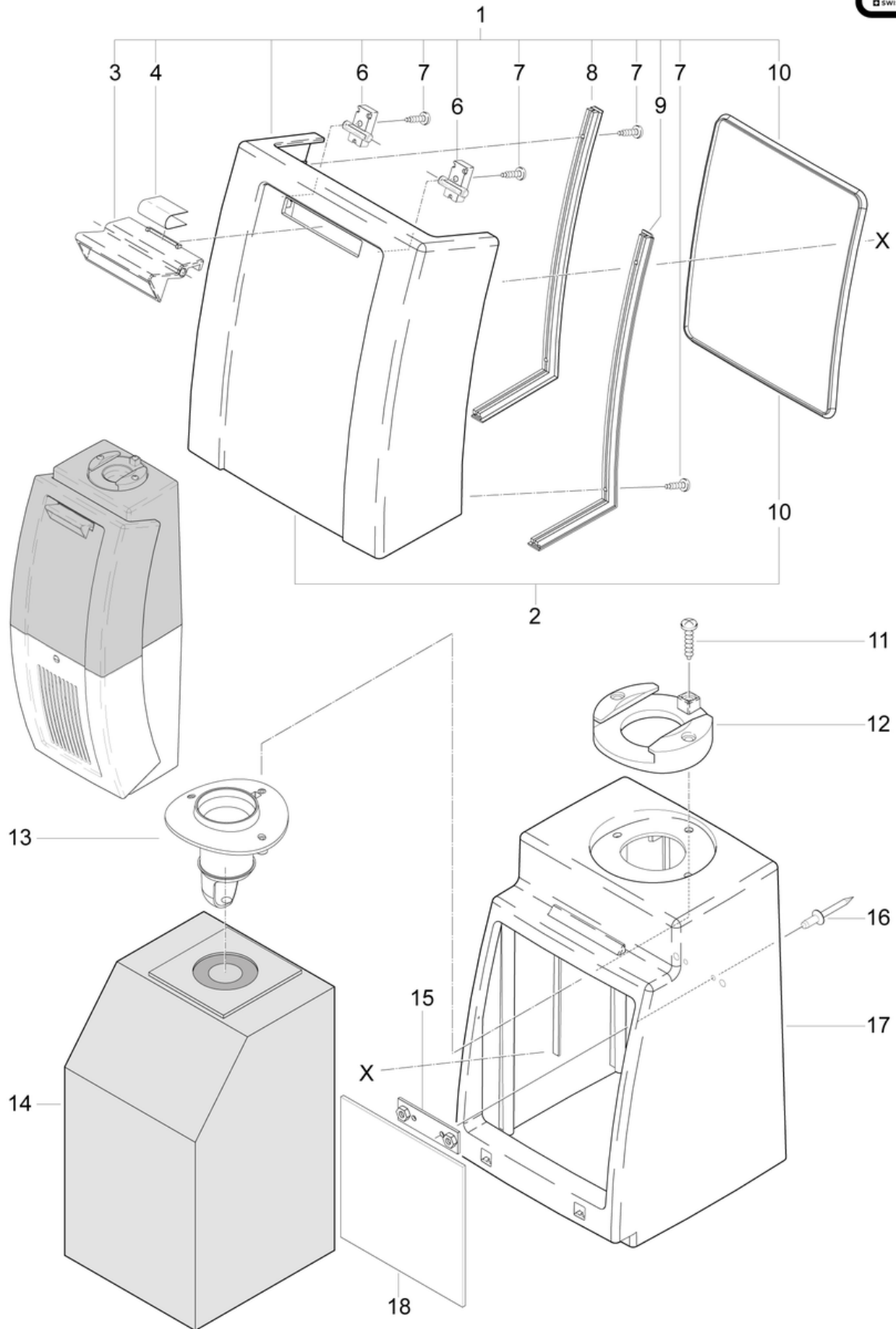
<b>Pos.</b>	<b>Item no.</b>	<b>Spare part</b>
1	025.512	CAS charger duo SEV
2	025.513	

# Cleanfix RS05 CAS (without batteries)

## Upper cover

PDF created on: 10.11.2023 20:12

B1- 06.2023



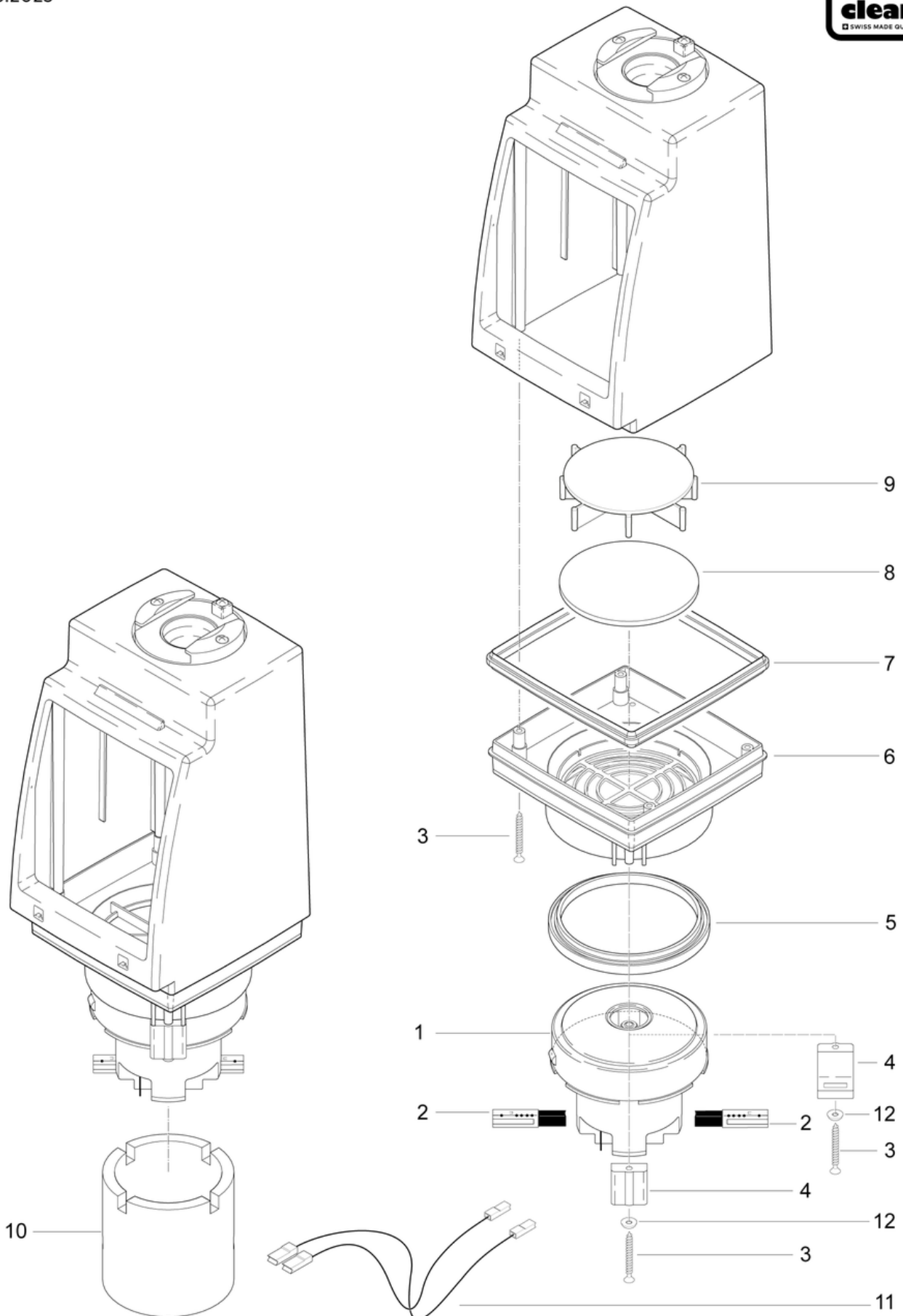
<b>Pos.</b>	<b>Item no.</b>	<b>Spare part</b>
1	025.111	Dust cover red cpl. CL
2	025.110	Filter Bag Cover
3	025.103	Cover-handle, anthracite gray
4	025.106	Spring
6	025.112	Hose clamp, anthracite gray
7	P516F	Screw WN 1451 K30 x 16
8	025.115	Corner-pice left, red
9	025.119	Corner pice right, red CL
10	025.124	Seal dust cover
11	P515E	Screw WN 1452 K50 x 30
12	4012234	Anthracite gray tub connection
13	025.133	Air inlet port
14	025.431	Fleece bag (5 pieces)
15	025.139	Thread plate
16	P485	Blind rivet 3.2 x 17
17	025.145	Upper Cover
18	025.270	Cover 150 x 150

# Cleanfix RS05 CAS (without batteries)

## Vacuum motor

PDF created on: 10.11.2023 20:12

B2- 06.2023



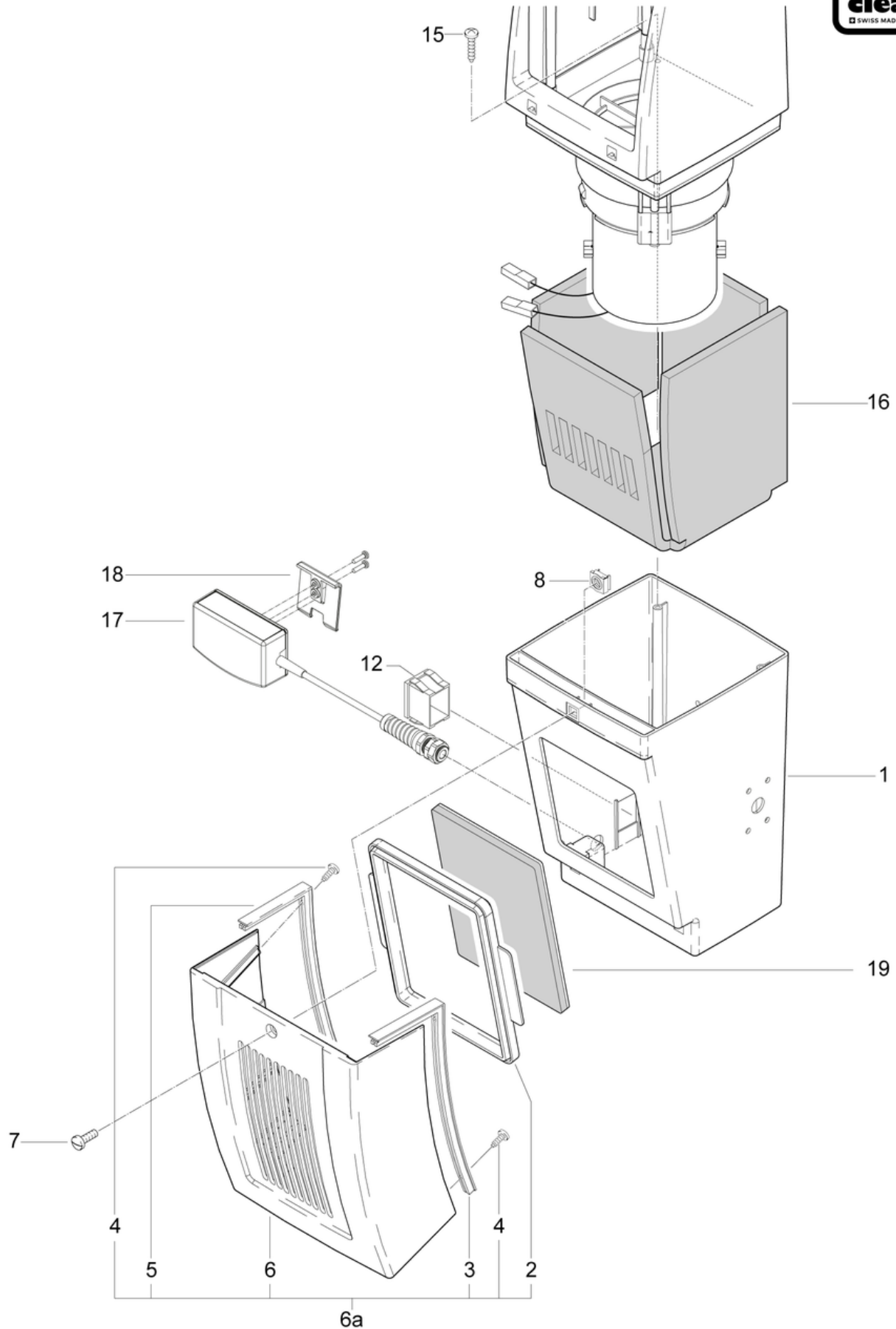
<b>Pos.</b>	<b>Item no.</b>	<b>Spare part</b>
1	P879	suction motor 36V 600W
2	P879A	Carbon brushes (pair)
3	P515KA	Screw SPAX 4,5 x 60
4	025.259	Frame
5	025.268	Rubber Mounting
6	025.265	Motor Support
7	025.269	Motor support seal
8	025.271	Motor Filter Disc
9	025.274	Distance Seal RS05
10	025.277	Motor insulation
11	025.425	motor cable
12	P500U	Washer DIN 17670 M5 5,3/16/2,8

# Cleanfix RS05 CAS (without batteries)

## Lower cover

PDF created on: 10.11.2023 20:12

B3- 06.2023



<b>Pos.</b>	<b>Item no.</b>	<b>Spare part</b>
1	025.404	Lower part machined for battery holder
2	025.203	Filter Cover Seal
3	025.115	Corner-pice left, red
4	P516F	Screw WN 1451 K30 x 16
5	025.119	Corner pice right, red CL
6a	025.242	Lower Cover
6	025.241	Filter Cover
7	P480R	Screw WN 7380 M5 x 16
8	P494P	Nut BN 3307 M5 1.7-2.7 A2
12	P245	Blank piece
15	P515X	Screw WN 1452 K40 x 20
16	025.230	Noise absorbing sheet
17	025.416	hand switch complete
18	025.411	Belt clip
19	025.221	Exhaust air filter mat for motor P873 / 650W

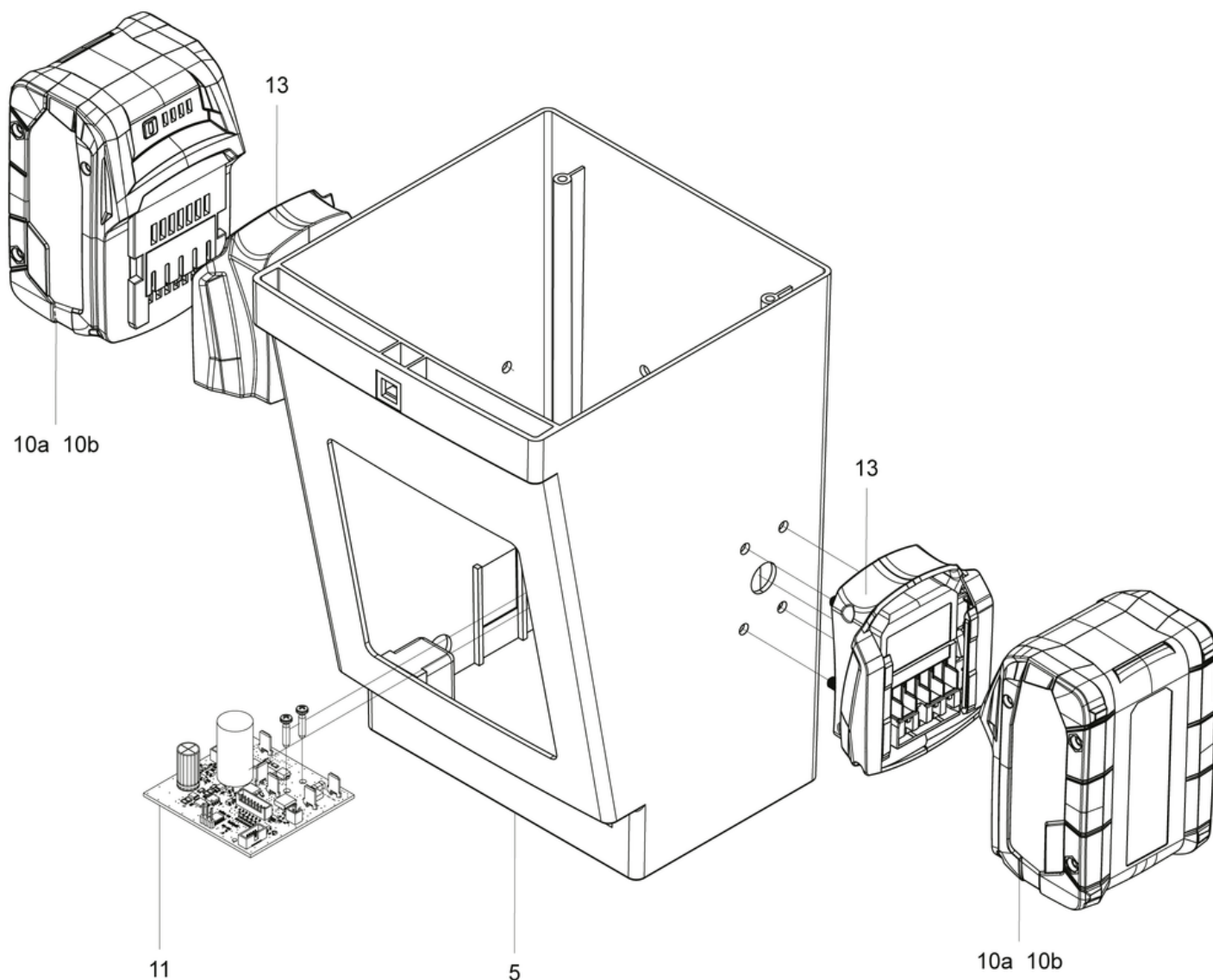


# Cleanfix RS05 CAS (without batteries)

## Installation CAS batteries

PDF created on: 10.11.2023 20:12

B4- 06.2023



PDF created on: 10.11.2023 20:12

Pos.	Item no.	Spare part
5	025.404	Lower part machined for battery holder
10a	025.511	CAS battery 10Ah
10b	025.510	CAS battery 5.5Ah
11	025.420	main electronics
13	025.400A	contact pin carrier 18V with lock complet



<b>Pos.</b>	<b>Item no.</b>	<b>Spare part</b>
1a	P480R	Screw WN 7380 M5 x 16
1b	P494S	Nut M5 1.2-1.6 St vz
1c	025.159	Carrier set for RS05
1	025.150	Adjustable carrying frame cpl.
3	025.050	Suction hose 1,5m, with hand tube
4	025.074	Suction hose NW32, 1.4m
5	025.071	Hose end connector RS05
6	900.670	Hand tube with defective air flap and slide
7	P581B	Slide
8b	022.015	Telescope vacuuming tube
9	646.200	Hard floor nozzle with brush strip, 30cm
10	645.004	Upholstery nozzle
11	645.006	Rubber crevice tool
12	645.005	Dropery brush

# Cleanfix RS05 CAS (without batteries)

## Wiring diagram

PDF created on: 10.11.2023 20:12

B6- 06-2023

