

RA605-2 with chemical dosing system

Contents

PDF created on: 10.11.2023 19:37



RA 605-2

Montage Griff und Tanks
Montage de la poignée et des réservoirs
Mounting handle and tanks

B 7 / ST 7

Steuereinheit
Unité de contrôle
Control unit

B 6 / ST 6

Option Chemiedosierung
Option dosage chimique
Option chemical dosing

B 19 / ST 19

Schmutzwassertank
Recipient d'eau sale
Waste water tank

B 2 / ST 2

Batterie
Batterie
Battery

B 4 / ST 4

Saugdüse gebogen
Suceur concave
Suction nozzle curved

B 16 / ST 16

Saugdüsenaufhängung
Suspension de suceur
Suction nozzle suspension

B 15 / ST 15

Wasserverteilung
Distribution d'eau
Water distribution

B 11 / ST 11

Pumpe NDS-X
Pompe NDS-X
Pump NDS-X

B 12 / ST 12

Hubmechanik
Mécanisme de levage
Cam mechanic

B 5 / ST 5

Schlauchsystem
Système de tuyau
Hose system

B 17 / ST 17

Schlauchsystem-Dosierung
Dosage du système de tuyau
Dosing hose system

B 18 / ST 18

Gebläsekasten
Boîte de moteur d'aspiration
Vacuum motor box

B 8 / ST 8

Steuerung Gebläse
Unité de contrôle moteur d'aspiration
Control unit vacuum motor

B 9 / ST 9

Steuerung
Contrôle
Control

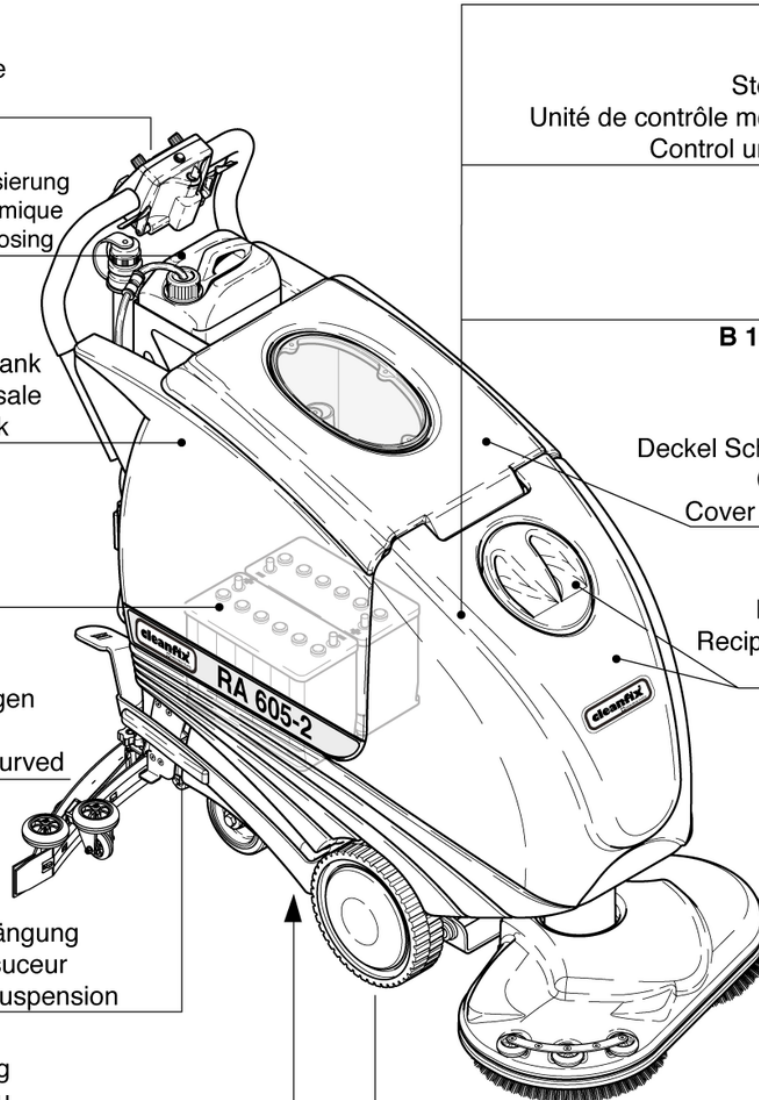
B 10 / B 10a / ST 10

Deckel Schmutzwassertank
Couvercle waster
Cover waste water tank

B 3 / ST 3

Frischwassertank
Recipient d'eau propre
Fresh water tank

B 1 / ST 1



Bürstkopf doppelt
Tête de brosse double
Brush head twice

B 13 / ST 13

B 13a / ST 13a

Montage Fahrwerk-Bürstkopf
Montage de la tête de brosse du châssis
Chassis brush head assembly

B 14 / ST 14

Stromlaufplan
Diagramme électrique
Wiring diagram

B 20

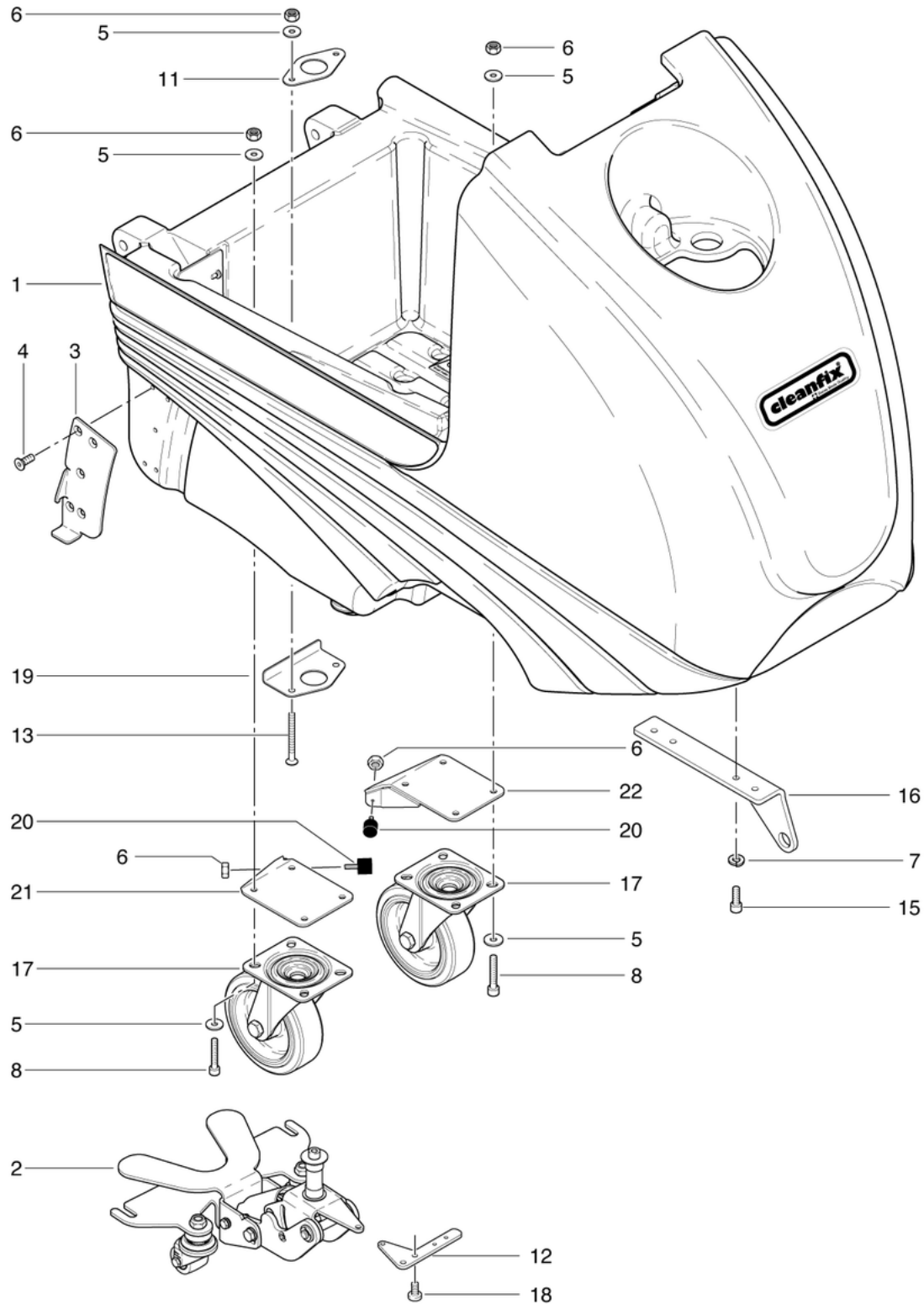
RA605-2 with chemical dosing system

Fresh water tank

PDF created on: 10.11.2023 19:37



RA 605-2



Pos.	Item no.	Spare part
1	565.455A	Clean water tank red
2	565.520	Suction nozzle suspension cpl.
3	565.458	Plate
4	P480K	Screw DIN 7991 M6 x 10
5	P497H	Washer DIN 9021 M6 6,4/18/1,6 A2
6	P493K	Nut DIN 985 M6
7	P498U	Ring DIN 127 B M6 6,1/11,8/1,6 A2
8	P488U	Screw DIN 912 M6 x 45 A2K with shaft
11	565.459	Clamp Plate
12	565.460	Penholder
13	P479NB	Screw DIN 7991 M6 x 60
15	P486X	Screw DIN 912 M6 x 22
16	565.462	Holder strip on the left
17	565.442	Castors 125 x 38mm
18	P481Z	Screw DIN 7985 M5 x 10 A2
19	565.465A	Retainer sheet rust-free
20	060.241	Round buffer M6 x 15, ø 20 x 15, M6 female thread
21	565.475	Right plate
22	565.476	Left plate

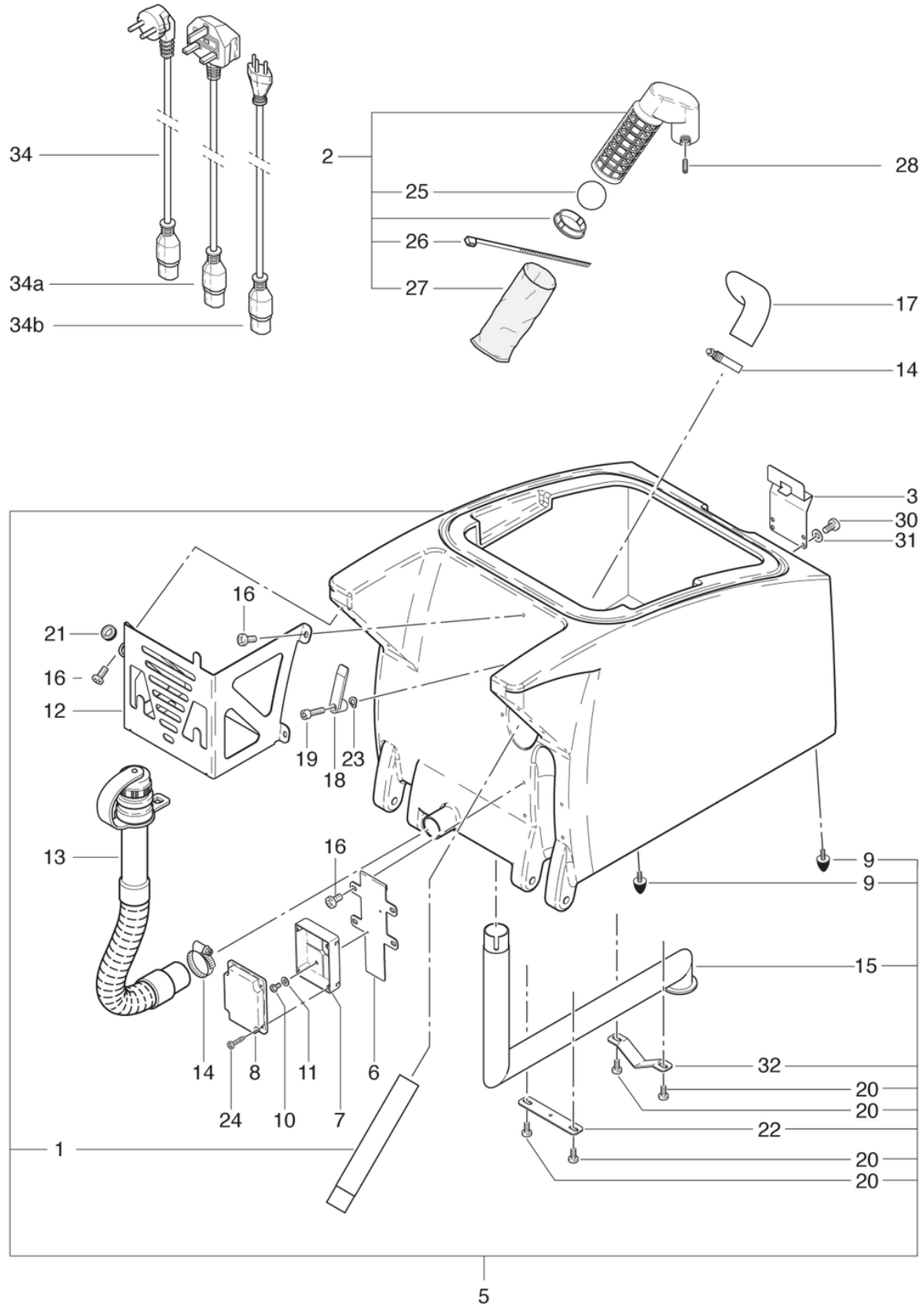
RA605-2 with chemical dosing system

Waste water tank

PDF created on: 10.11.2023 19:37



RA 605-2



Pos.	Item no.	Spare part
1	432.206	Suction pipe for blower aluminum $\varnothing 34 / 30 \times 230$
2	432.300	Float Basket Complete
3	565.661	Rack Element
5	565.6700	Waste water tank anthracite incl. suction tube
6	565.668	Cable holder
7	P379F	Terminal box lower part RA505 / RA605
8	P379A	Terminal box cover
9	P172E	Parabola buffer M6 x 8, $\varnothing 20 \times 24\text{mm}$
10	P481M	Screw DIN 7985 M4 x 10 A2
11	P496D	Shim DIN 125 A M4 4,3/9/0,8
12	565.665	Storage basket
13	P561	Drain hose with crimp sleeve 0.63m
14	P206F	Screw thread clamp 25 - 40mm SW7
15	565.666	Intake Tube
16	P476P	Screw DIN 7985 M6 x 12
17	565.662	Rubber Bend
18	P087A	Catch for cable black
19	P488V	Screw DIN 912 M8 x 30 A2K
20	P476AC	Screw DIN 7985 M5 x 8
21	P207A	Grommet
22	565.676	Holding plate
23	P499AB	Shim DIN 137 B M8 8,4/15/1,5 A2
24	P516S	Screw WN 1452 K30 x 14
25	432.304	Ball $\varnothing 45 \text{ mm}$
26	P609B	Cable tie weatherproof- 3,5 x 200
27	432.315	Filter Bag
28	P513L	Pin DIN 913 M6 x 10 St galvanized
30	P476Q	Screw DIN 7985 M6 x 10
31	P496K	Shim DIN 125 A M6 6,4/12/1,6
32	565.675	Tube holder
34a	436.792	Connection cable GB 3 x 1,00mm ² , black
34b	436.791	Cable SEV 3 x 1,00mm ² , black, 2.50m
34	436.790	Main cable VDE 3 x 1.00mm ² , black

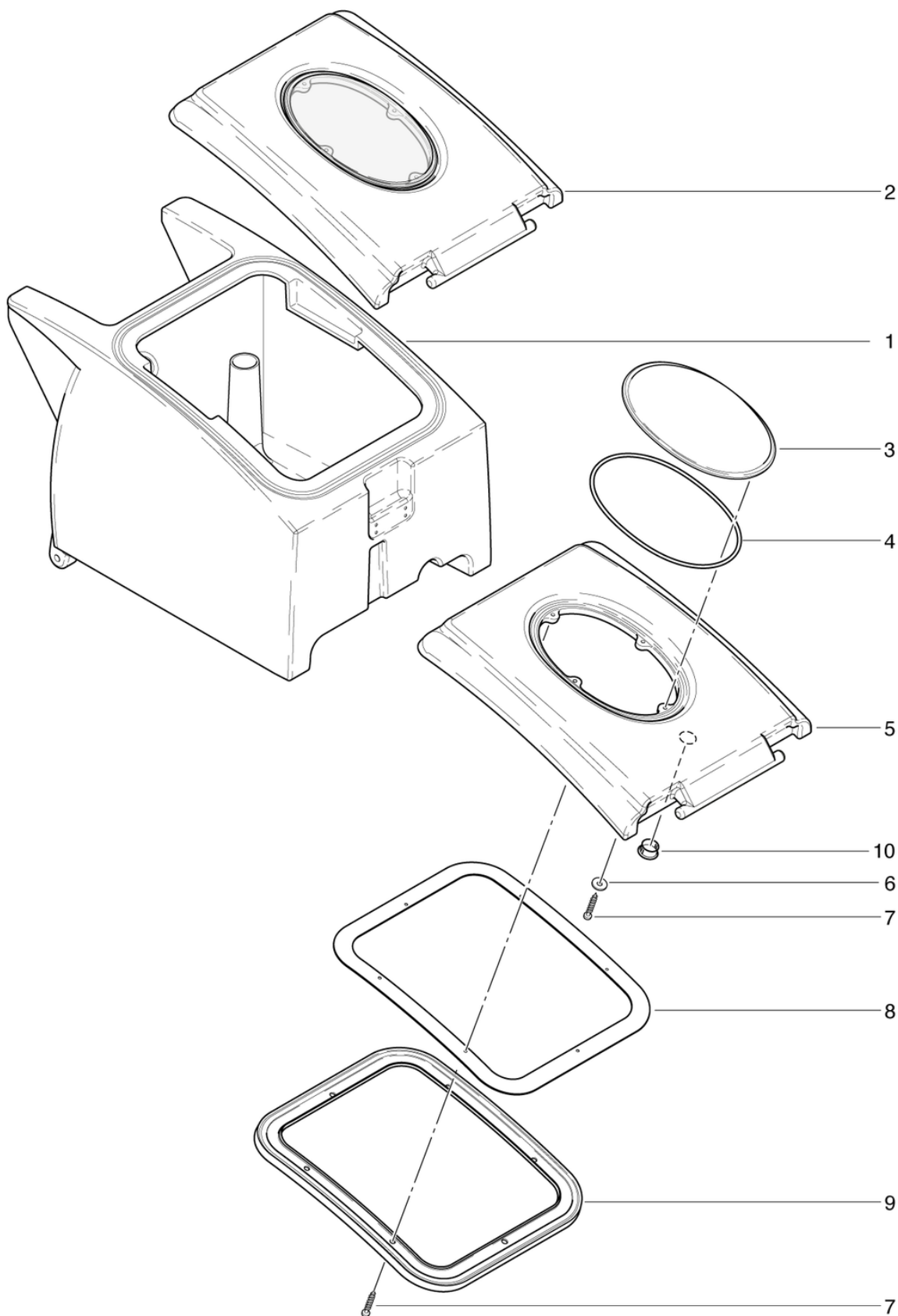
RA605-2 with chemical dosing system

Cover waste water tank

PDF created on: 10.11.2023 19:37



RA 605-2



Pos.	Item no.	Spare part
1	565.6700	Waste water tank anthracite incl. suction tube
2	565.120	Cover of dirty water tank
3	565.121	Inspection Glass
4	565.122	Rope Seal
5	565.123	Tank Lid Complete RA605
6	P497C	Washer DIN 9021-A M4 4,3/12/1 A2
7	P5160	Screw WN 1452 K40 x 25
8	565.124A	Stainless steel carrier plate
9	565.125	Seal to cover
10	P171L	Cover black ø15,9/18,2 x 10,3

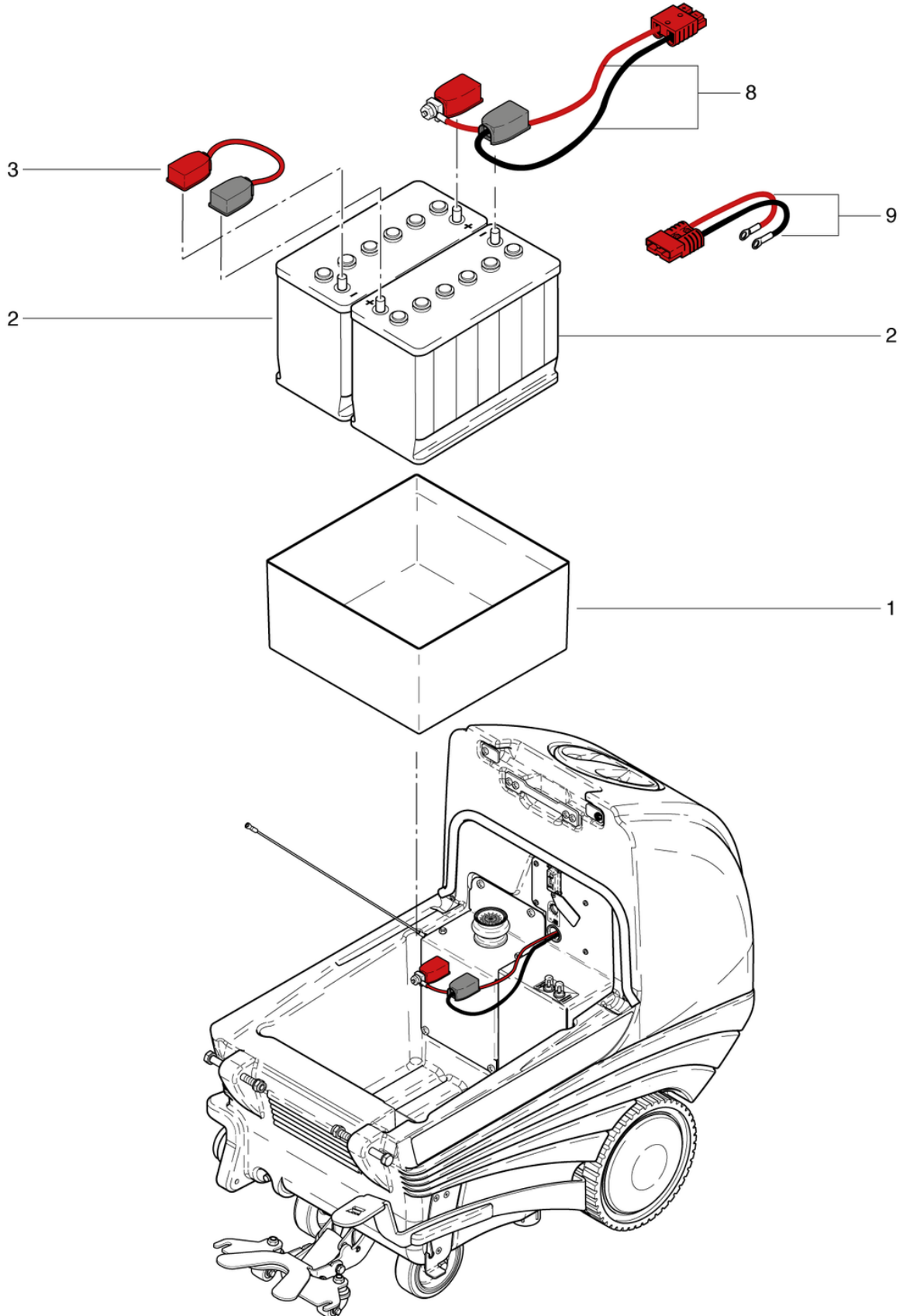
RA605-2 with chemical dosing system

Batterie

PDF created on: 10.11.2023 19:37



RA 605-2



Pos.	Item no.	Spare part
1	565.494	Drain tray
3	436.985	Battery connection wire 10mm ² , L = 0.16m
8	436.983	Battery Cable Tree
9	565.255	Battery charging cable

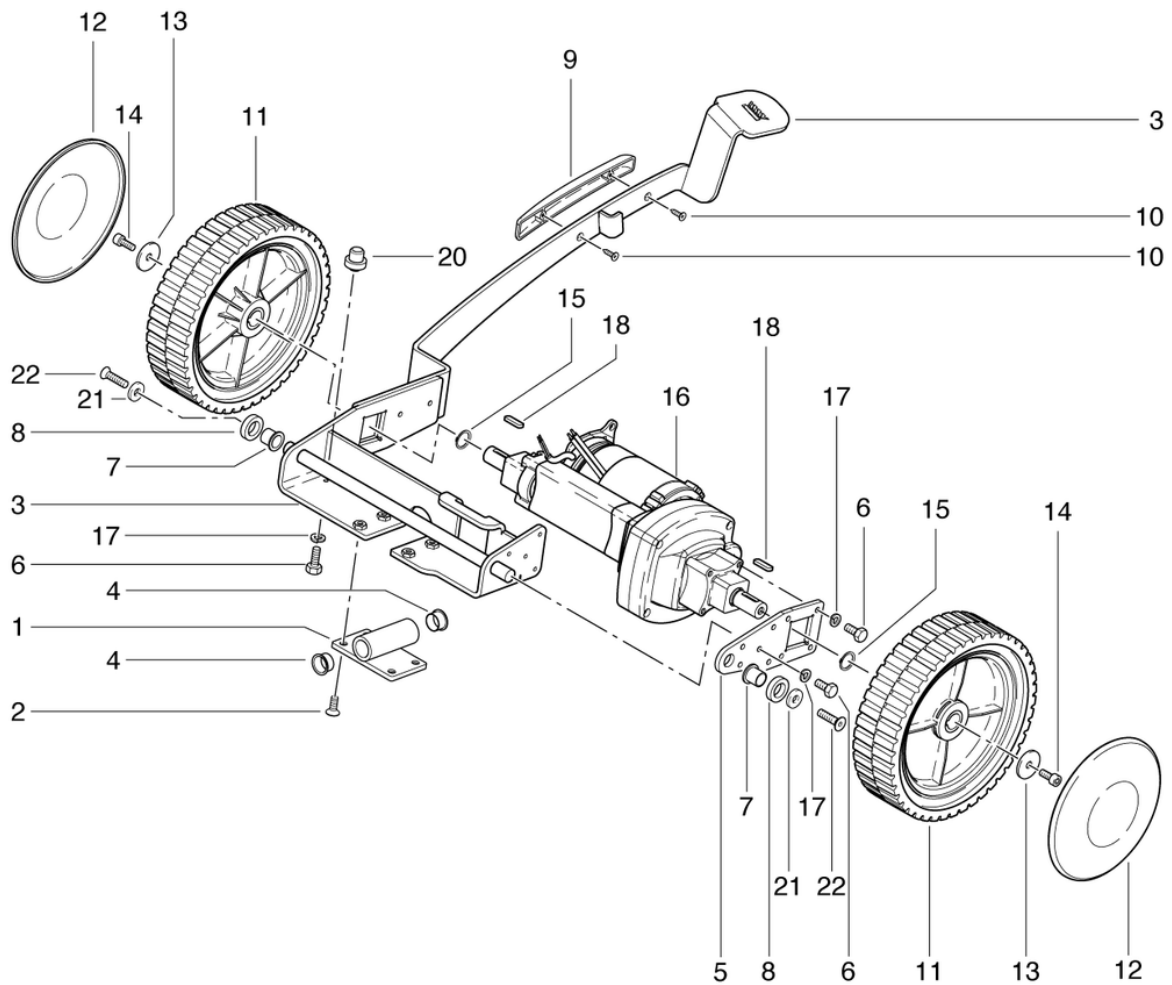
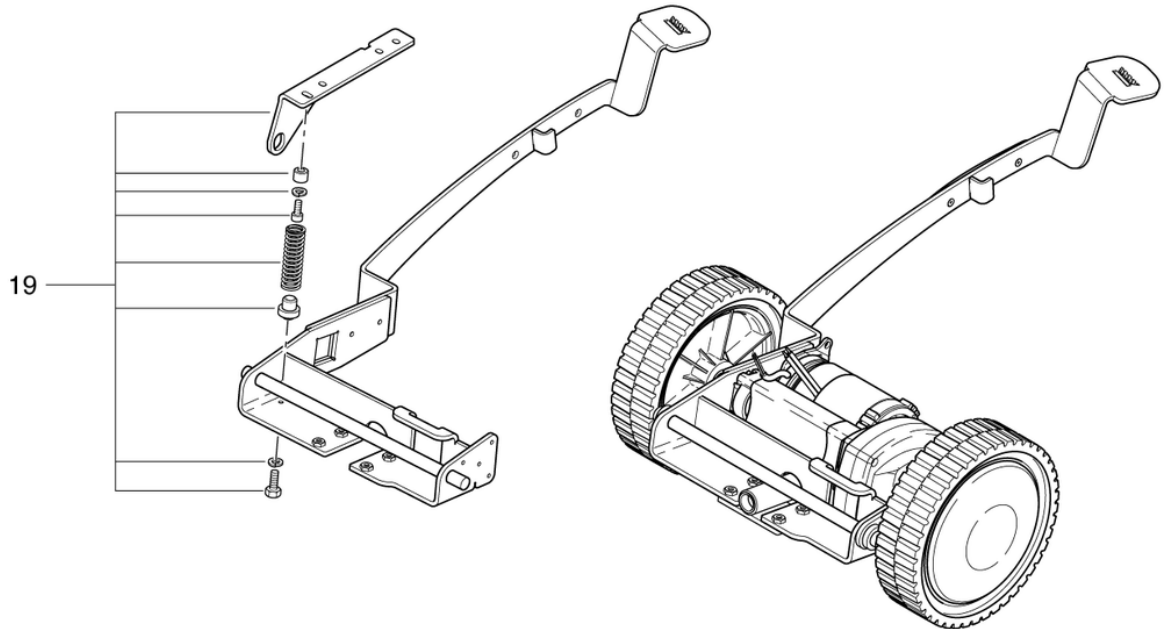
RA605-2 with chemical dosing system

Lift mechanic

PDF created on: 10.11.2023 19:37



RA 605-2



Pos.	Item no.	Spare part
1	565.249	Support
2	P479RA	Screw DIN 7991 M8 x 20
3	565.245	Cam Mechanic
4	P316E	Plain bearing with collar GFM-2021-20
5	565.250	Support Diagonal
6	P470RA	Screw ISO4017 M6 x 14 A2
7	P316FA	Plain bearing with collar GFM-1618-12
8	565.247	Distance ring ø30 / 18.3 x 7
9	565.246	bounce protection
10	P516GA	Screw WN 1423 K40 x 16
11	565.261	IBCT impeller with wedge band
12	530.242	Wheel Cover Red
13	P496PA	Washer DIN 522 M8 8,4/35/2,5
14	P471E	Screw DIN 933 M8 x 20 A2
15	P499K	Ring DIN 471 20/1,2
16	565.251	Traction Drive Motor
17	P498U	Ring DIN 127 B M6 6,1/11,8/1,6 A2
18	P474I	Wedge DIN 6885 A 6/6/25
19	565.559	Remounting Set
20	565.557	Retaining pin
21	P500T	Shim SN 213912 M8 25/4,8 A2

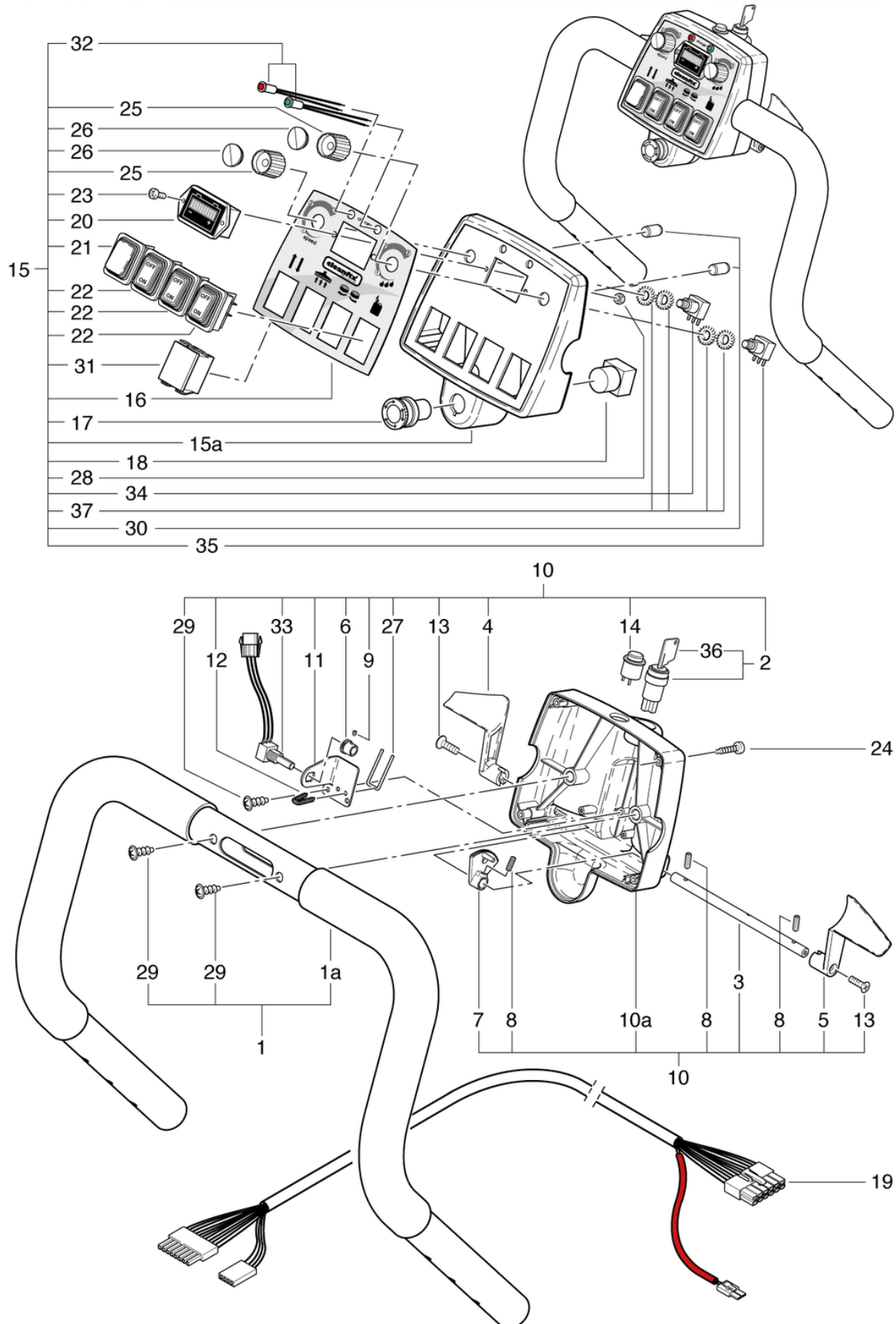
RA605-2 with chemical dosing system

Control unit

PDF created on: 10.11.2023 19:37



RA 605-2



Pos.	Item no.	Spare part
1a	565.211	Binder
1	565.215	bumper bar
2	565.219	Key switch including connection wires
3	565.231	Axle Bar
4	701.224	Start Lever Left
5	701.223	Start Lever Right
6	565.232	Upper bevel wheel
7	565.234	Lower bevel wheel
8	P484DA	Screw DIN 427 M4 x 8
9	P482Y	Pin DIN 916 M3 x 4 A2
10a	565.230	Rear Panel
10	565.225	Panel lower part
11	565.235	Holder
12	565.233	Extension spring RZ-021BI 0,32/3,52/17,12
13	P479B	Screw DIN 965 M4 x 10 A2
14	P242B	Pushbutton
15a	565.226	Panel upper part
15	565.224	Panel upper part
16	565.227	Cover plate for panel IBCT
17	565.229	Emergency Stop Switch
18	565.228	Switch Holder
19	565.238	Cable Harness
20	800.708	Battery Indicator
21	P239	Rocker switch 24Volt
22	P241	Rocker switch white 24V
23	P476R	Screw ISO 7380 M3 x 6 A2
24	P516E	Screw WN 1451 K30 x 20
25	560.372	Rotary Button
26	560.373	Knob Cover
27	565.223	Agraffe
28	P493C	Nut DIN 985 M3 A2
29	P515W	Screw WN 1451 K40 x 8
30	P514I	Brad ISO 2338 8 x 16 St vz
31	P171F	Bottom studs black rectangular 35 x 25 mm
32	P415	Set LED red, green 2.1 V, Ø 5 mm
33	565.237	Potentiometer
34	565.213	Potentiometer
35	565.119	Potentiometer 5 kOhm worked
36	P244B	Spare key (1 pc.)
37	P498O	Shim DIN 6798 A M10 10,5/18/0,9

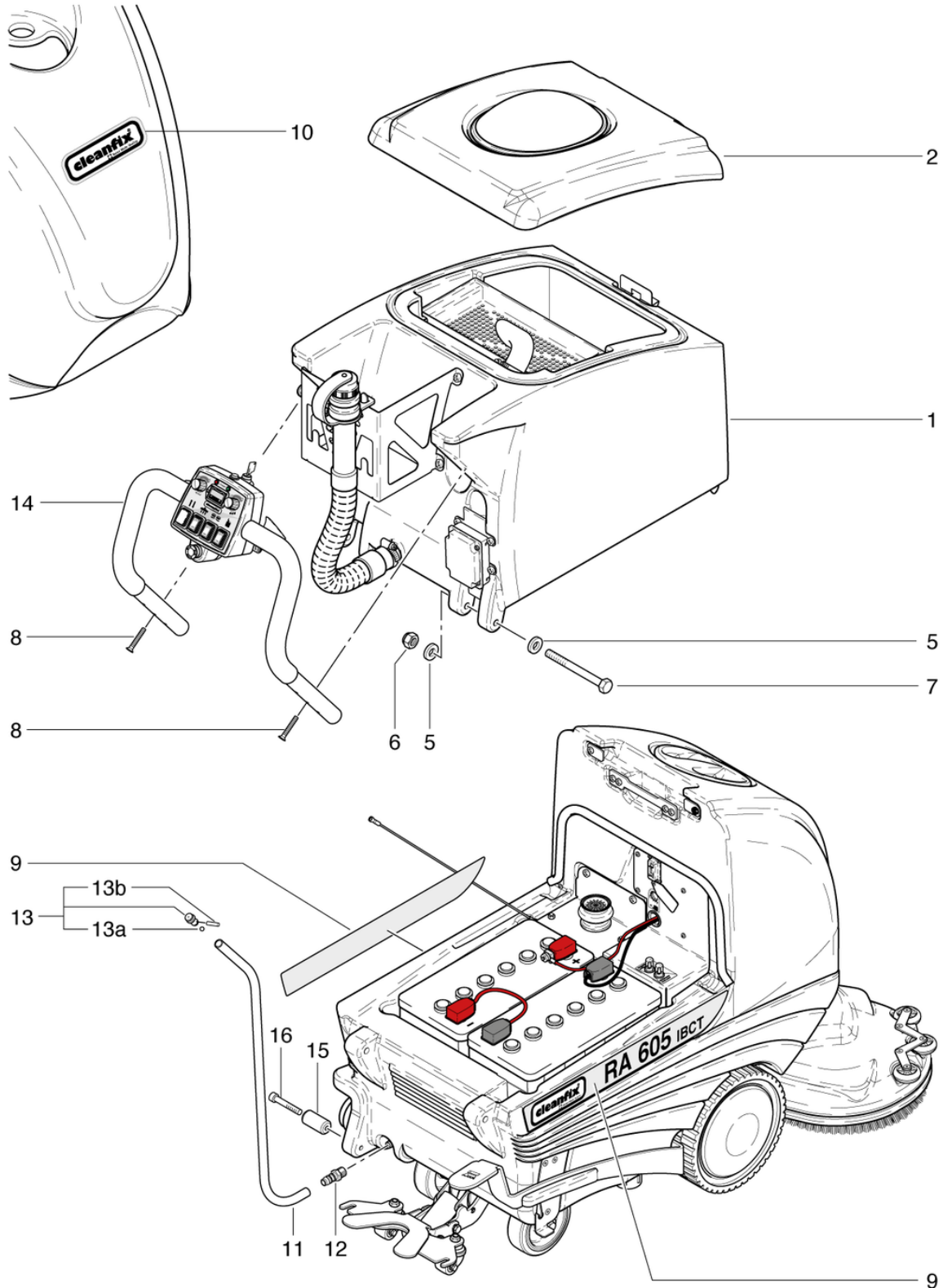
RA605-2 with chemical dosing system

Mounting handle and tanks

PDF created on: 10.11.2023 19:37



RA 605-2



Pos.	Item no.	Spare part
1	565.650	Tank
2	565.120	Cover of dirty water tank
5	P497S	Shim DIN 9021 M12 13/20/2 A2
6	P492T	Nut DIN 985 M12 St galvanized
7	P470N	Screw DIN 931 M12 x 120 with shaft
8	P479NA	Screw DIN 7991 M6 x 40
9	565.454	Decorative strips - set
10	110	Sticker Cleanfix
11	565.451	PVC hose 16x12
12	P540N	Straight nipple GES NW12 / R3 / 8
13a	P172W	Ball ø7.14 for spray nozzle PA6.6
13b	P514	Broche ISO 2338 2x12
13	565.445	Back pressure valve complete
14	565.210	Control Unit Complete RA605
15	565.536	Stop Roller
16	P486Y	Screw DIN 912 M6 x 40 A2 with shaft

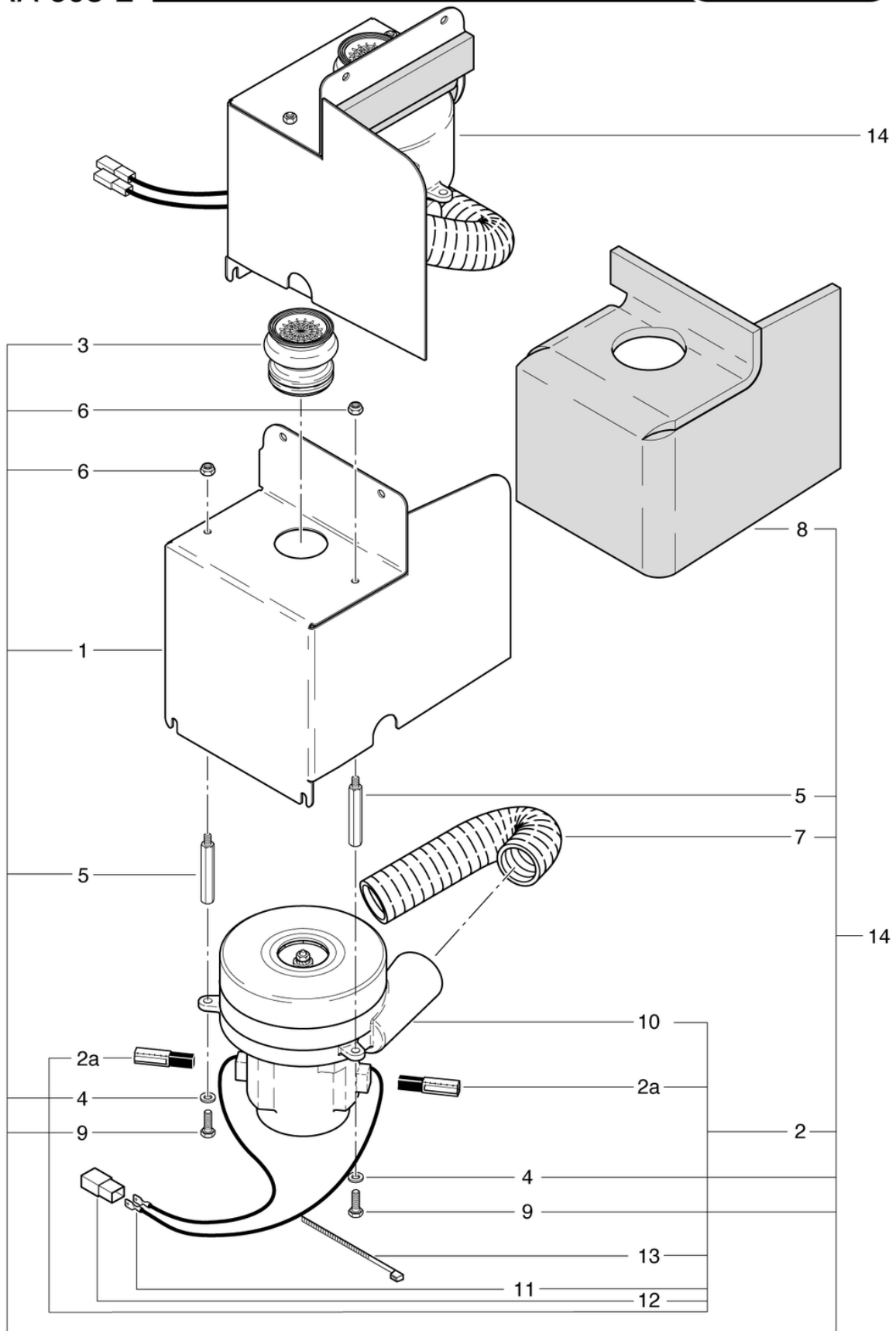
RA605-2 with chemical dosing system

Vacuum motor box

PDF created on: 10.11.2023 19:37



RA 605-2



Pos.	Item no.	Spare part
1	565.671	Cover for suction motor
2a	P870KB	Carbon brushes (pair) OEP
2	440.207	suck blowers 24V /400W compl.
3	565.672	Blower seal
4	P496K	Shim DIN 125 A M6 6,4/12/1,6
5	P484UD	Distance holder BN 3318 M6 x 60
6	P493K	Nut DIN 985 M6
7	400.223	Noise Absorbing Hose
8	565.673	Sound insulation
9	P470X	Screw DIN 933 M6 x 20
10	440.206	Suction Motor- 24 V / 400W
11	P401E	Push-on connector 6,3 x 0,8 - 1,5 - 2,5mm ²
12	P818E	Flat plug-6,3mm natural 2-poles 180924-0
13	P609	Cable tie black 4,8 x 178mm
14	565.480	Complete Vac Motor

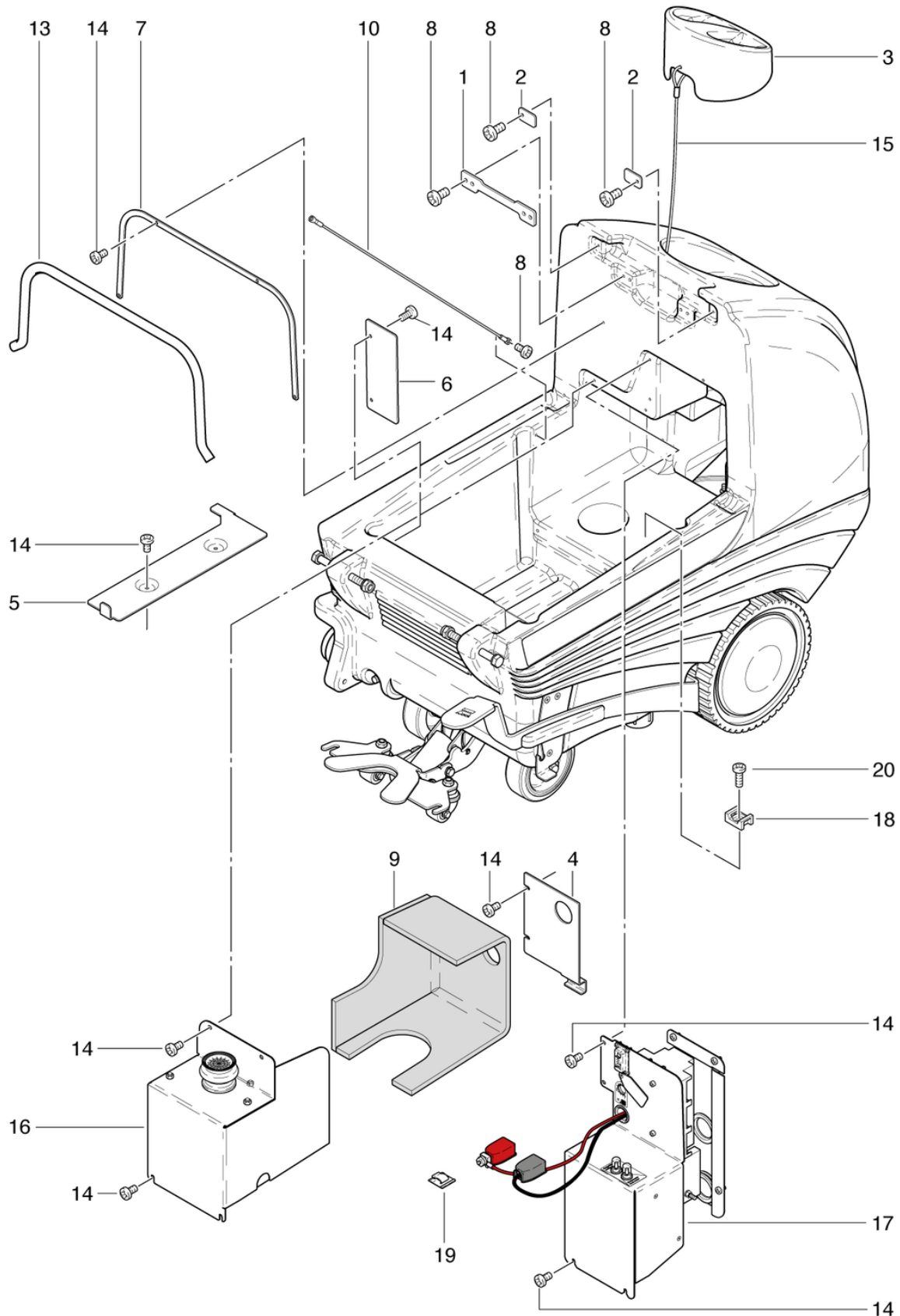
RA605-2 with chemical dosing system

Control unit vacuum motor

PDF created on: 10.11.2023 19:37



RA 605-2



Pos.	Item no.	Spare part
1	565.468	Counterplate
2	565.467	Clamp metal plate
3	565.466	Freshwater tank cover
4	565.482	Chicane air outlet
5	565.473	Cover for cables
6	565.472	Cover
7	565.469	Seal Sheet
8	P476Q	Screw DIN 7985 M6 x 10
9	565.483	Sound insulation
10	565.471	Pull rope
13	565.470	Seal
14	P476AC	Screw DIN 7985 M5 x 8
15	565.464	Rope for Measuring cup
16	565.480	Complete Vac Motor
17	565.490	Complete Control Unit RA605
18	125.111	Cable tie holder
19	P360	Nature cable holder

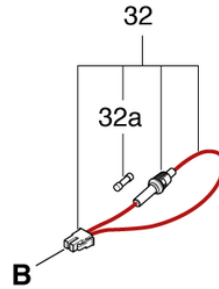
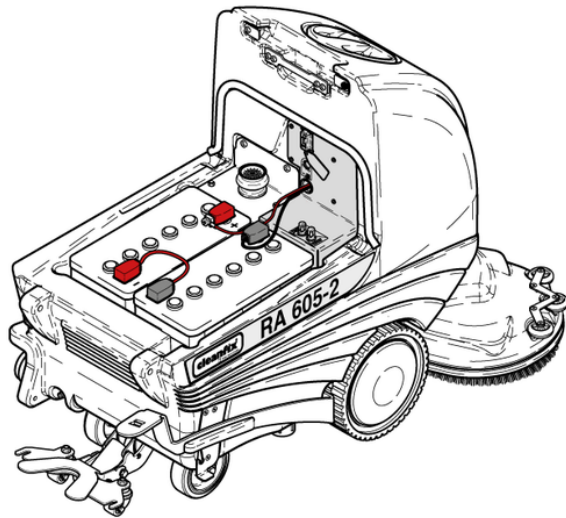
RA605-2 with chemical dosing system

Control

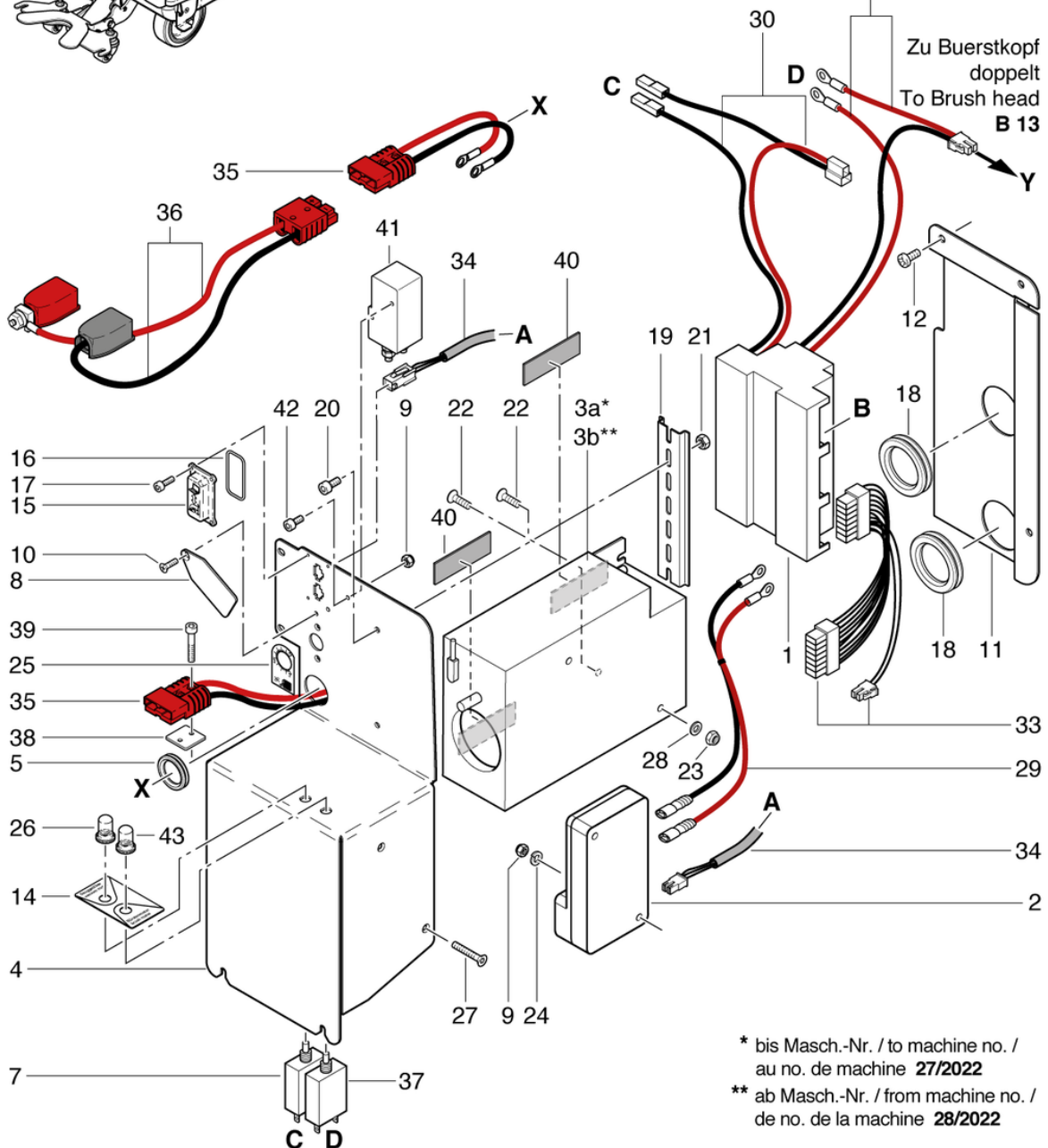
PDF created on: 10.11.2023 19:37



RA 605-2



31
bis Masch.-Nr.
to machine no.
au no. de machine
25/2020
Umbausset mitbestellen
order also conversion set
commander aussi le kit de conversion
565.438



* bis Masch.-Nr. / to machine no. /
au no. de machine **27/2022**

** ab Masch.-Nr. / from machine no. /
de no. de la machine **28/2022**

Pos.	Item no.	Spare part
1	565.506	Main control Styromat
2	565.493A	PG-Drive iDRIVE 45 programmed
3a	565.596	Conversion kit for new charger RA605 / RA505
3b	P015	Battery Charger 24V; 15A
4	565.498	Cover
5	565.499	Membrane socket
7	470.355	Motor protection switch 25A
8	565.487	Cover flap
9	P493D	Stopp-nut DIN 985 M4 A2
10	P479B	Screw DIN 965 M4 x 10 A2
11	565.486	Metal plate ELG2415
12	P476AC	Screw DIN 7985 M5 x 8
14	565.485	Sticker for protect switch
15	565.448	Cover
16	P088B	Ring DIN 3771 36/2 NBR
17	P488L	Screw DIN 912 M3 x 5
18	565.447	Membrane socket
19	565.443	Bar L 165mm
20	P489E	Screw DIN 912 M5 x 10 A2
21	P490C	Hexagon nut DIN 934 M5
22	P480K	Screw DIN 7991 M6 x 10
23	P493K	Nut DIN 985 M6
24	P498A	Ring DIN 127 B M4 4,1/7,6/0,9 CuSn
25	565.439	Sticker
26	500.957A	Protective Cap
27	P478O	Screw DIN 7991 M4 x 30
28	P496L	Shim DIN 9021 M6 6,4/18/1,6
29	565.253	Doublecord
30	565.674	Cable harness Aspirator Engine
31a	565.438	IBCT engine conversion kit
31	565.257	T-Cord for brush motor
32a	P363C	Fuse T 5A, 250V
32	565.260	Fuse Carrier
33	565.492	Cord
34	565.484	Cable
35	565.255	Battery charging cable
36	436.983	Battery Cable Tree
37	565.118	Motor protection switch 35A
38	565.254	Pulley Complete
39	P488C	Screw DIN 912 M4 x 20 A2
40	400.139	Slide security

Pos.	Item no.	Spare part
41	535.634	Contactator
42	P488D	Screw DIN 912 M4 x 8
43	470.710A	Protection cap

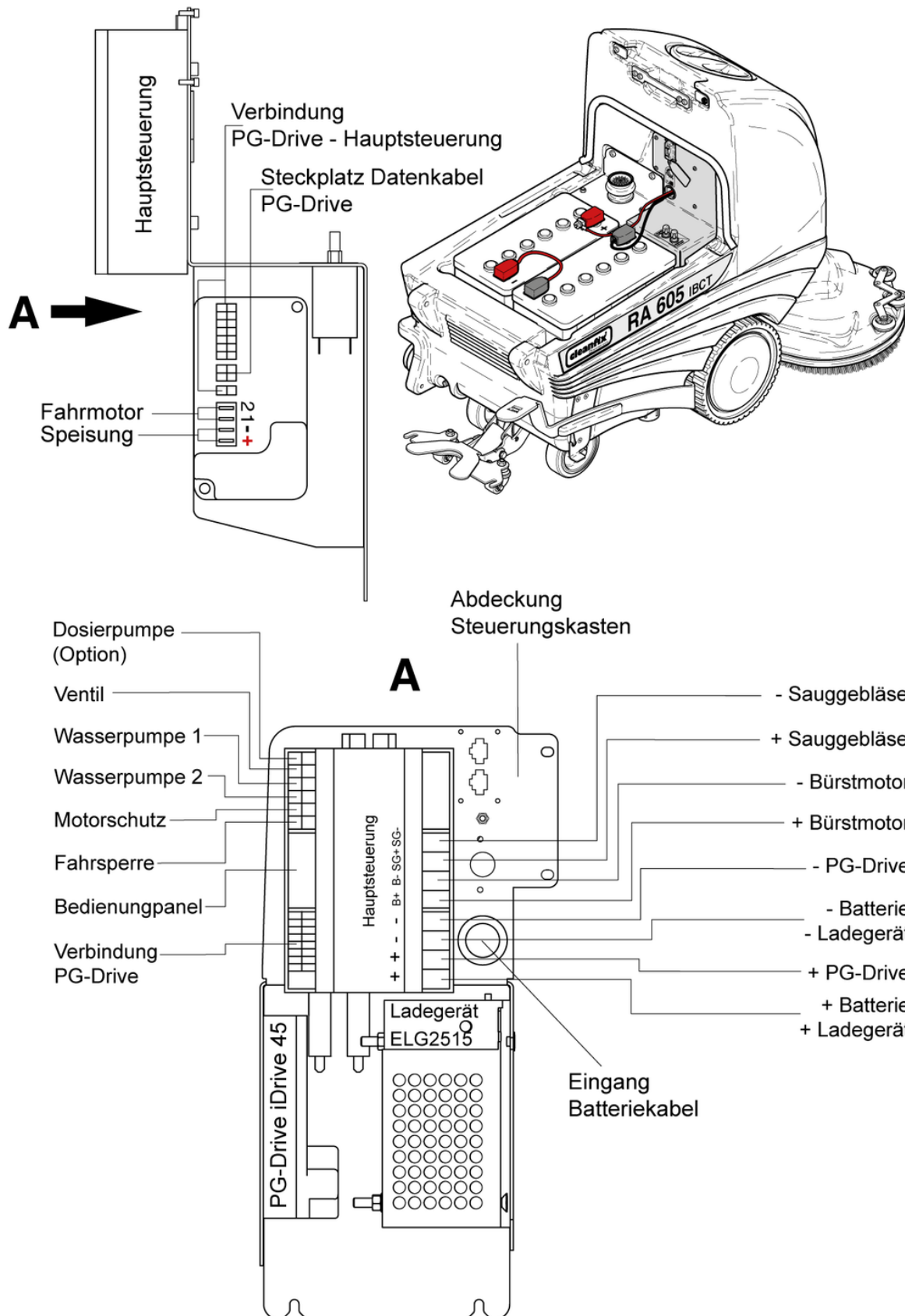
RA605-2 with chemical dosing system

Control - a

PDF created on: 10.11.2023 19:37



RA 605-2



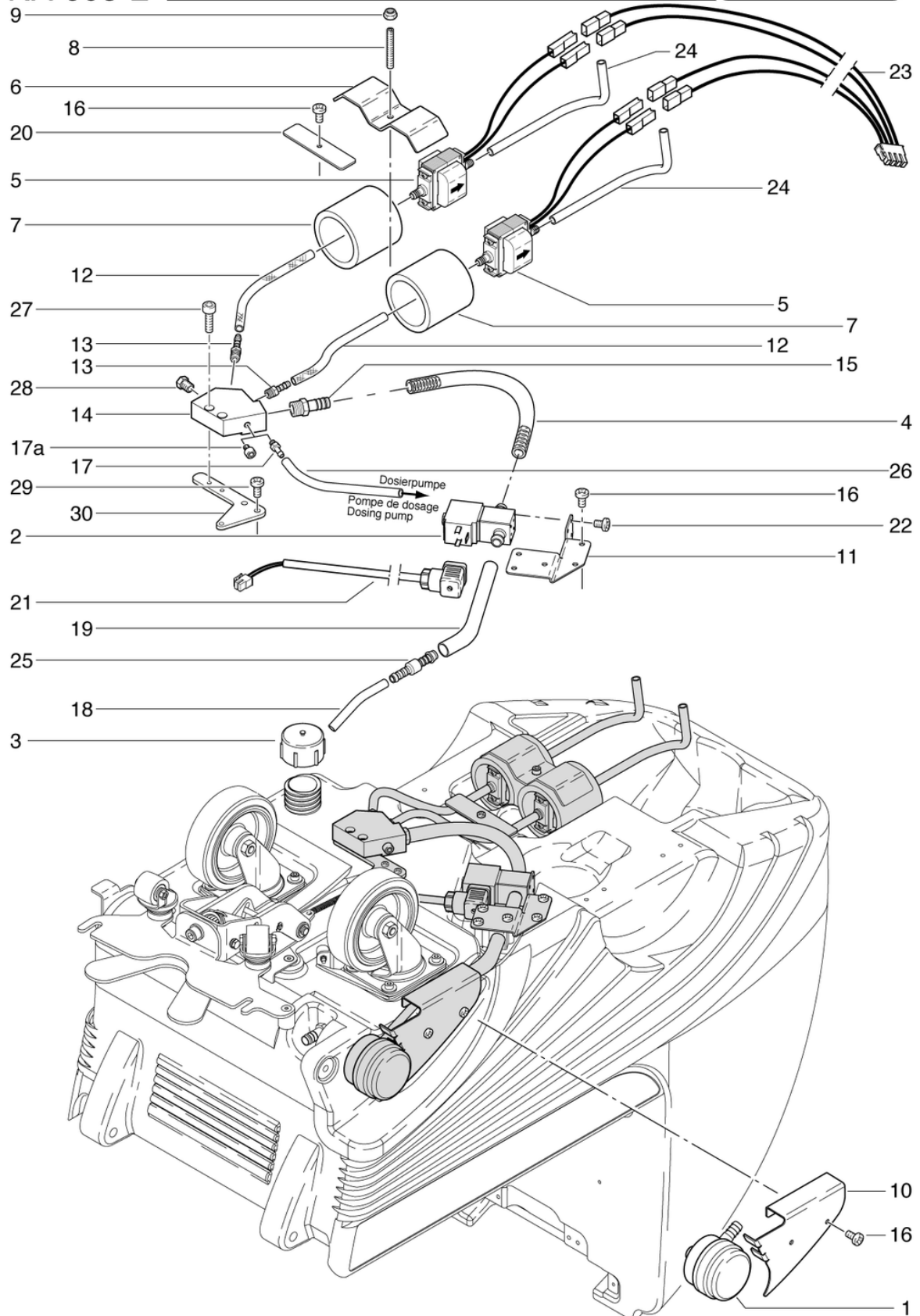
RA605-2 with chemical dosing system

Water distribution

PDF created on: 10.11.2023 19:37



RA 605-2



Pos.	Item no.	Spare part
1	565.760	Fresh water filter processed
2	P258	Magnetic valve 24V
3	432.110	Cover for Execution
4	565.419	Hose magnetic valve-nipple Ø18/12 x 190mm
5	P817A	NDS-X Pump 24V
6	565.404	Bracket
7	565.405	Rubber Connection Piece
8	565.408	Thread bar
9	P493K	Nut DIN 985 M6
10	565.402	Metal plate
11	565.403	Support
12	565.418	Hose
13	P540G	Straight nipple GES NW8 R 1/8
14	565.540	Valve block
15	P540N	Straight nipple GES NW12 / R3 / 8
16	P476AC	Screw DIN 7985 M5 x 8
17a	P489C	Screw DIN 912 M5 x 6 A2
17	320.170	Screw in Socket
18	565.422	Hose
19	565.429	Hose
20	565.407	Plate
21	436.709	Cable For Magnetic Valve
22	P516P	Screw WN 1452 K40 x 12
23	565.410	Cable
24	565.428	Hose
25	P539Z	Nipple GRS 12-8
26	565.417	Hose
27	P486I	Screw DIN 7984 M5 x 16 galvanized
28	P542M	Blind plug R 1/4
29	P481Z	Screw DIN 7985 M5 x 10 A2
30	565.460	Penholder

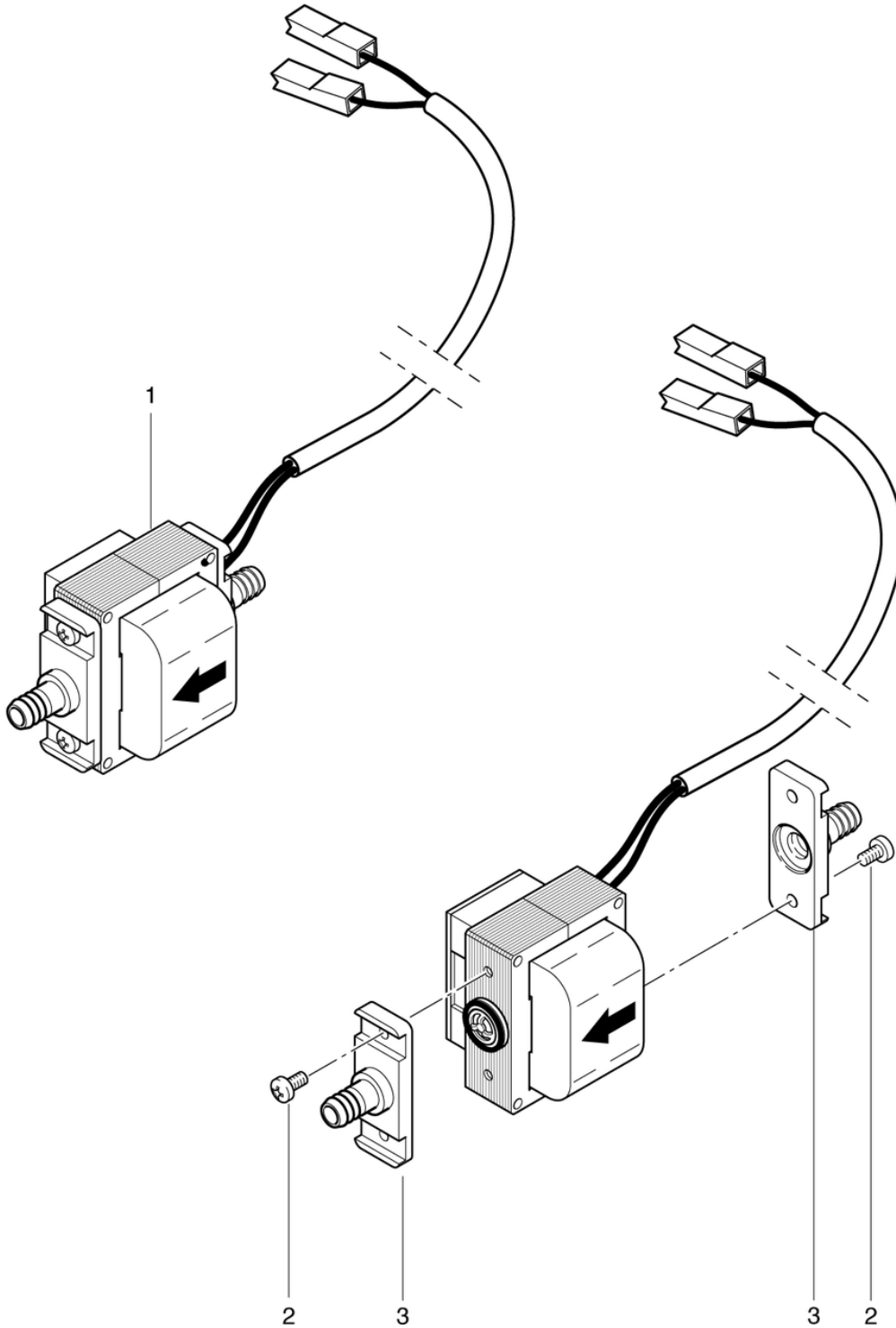
RA605-2 with chemical dosing system

Pump NDS-X

PDF created on: 10.11.2023 19:37



RA 605-2



Pos.	Item no.	Spare part
1	P817A	NDS-X Pump 24V
2	P481M	Screw DIN 7985 M4 x 10 A2
3	P809M	Connecting even

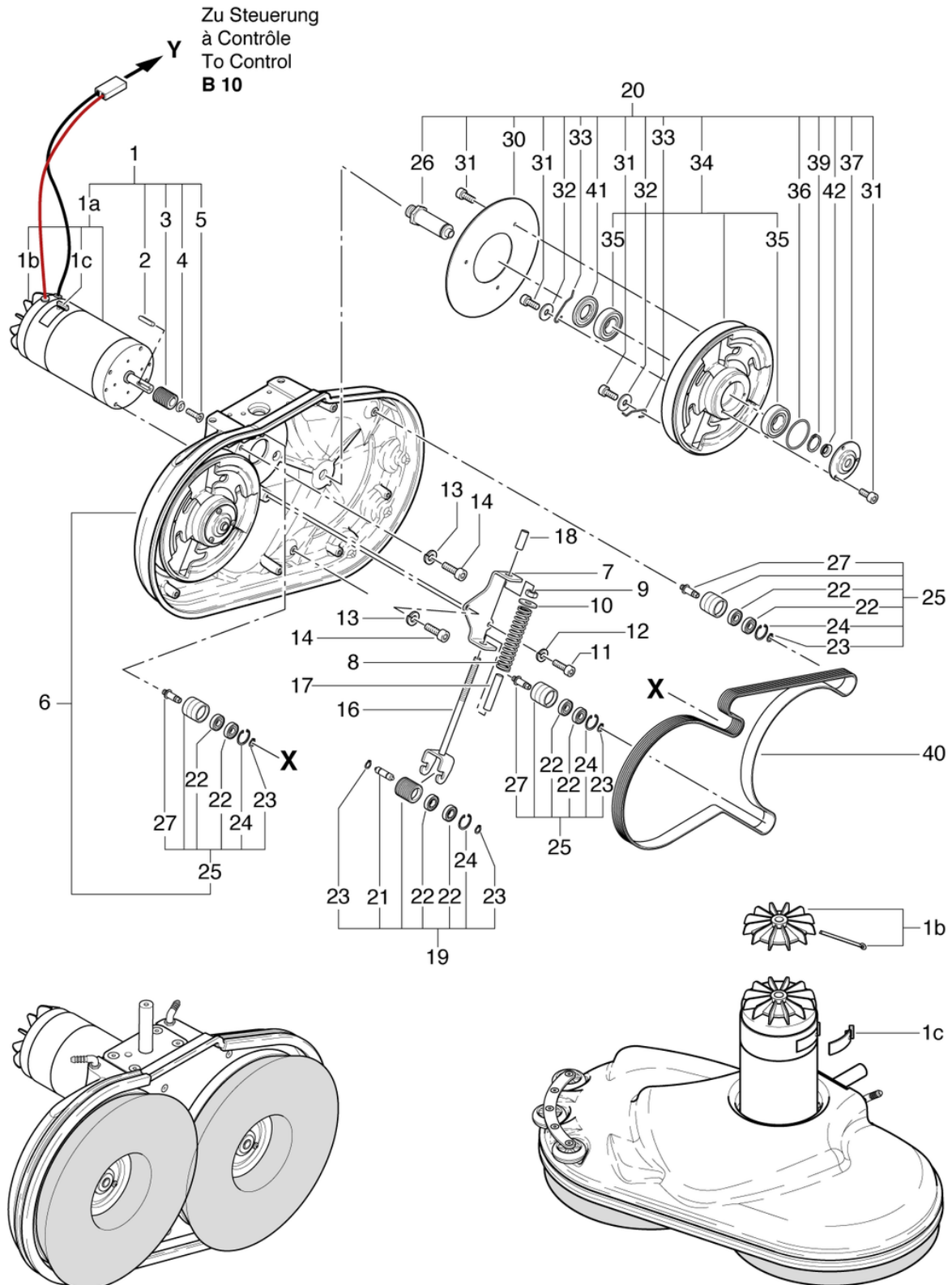
RA605-2 with chemical dosing system

Brush head twice

PDF created on: 10.11.2023 19:37



RA 605-2



Pos.	Item no.	Spare part
1a	565.591	Motor 24V DC 600W
1b	565.593	Brush Motor Fan
1c	565.594	Clip to carbon brush motor cover
1	565.590	Brush motor and pulley mounted comp
2	P474E	Wedge DIN 6885 A 5/5/25
3	565.592	Pulley
4	P500Q	Washer SN 213912 M6 18/4,8
5	P480U	Screw DIN 7991 M5 x 12
6	565.560	Gear Housing
7	565.511	Lead management
8	565.516	Compression spring VD-307 3.2 / 23.2 / 105
9	P491N	Nut DIN 934 M10 St galvanized
10	P496S	Washer DIN 9021 M10 10,5/30/2,5 A2
11	P488P	Screw DIN 912 M6 x 16 A2
12	P498U	Ring DIN 127 B M6 6,1/11,8/1,6 A2
13	P498N	Ring DIN 127 B M8 8,1/14,8/2
14	P487B	Screw DIN 912 M8 x 20
16	565.514	Clip
17	565.512	Cover
18	565.513	Cover M10
19	560.254	Belt Tension Pulley Complete
20	565.550A	Brush holder cpl.
21	565.515	Bearing shaft
22	P315K	Deep groove ball bearing 6000 2RS ø26 / 10 x 8
23	P513C	Ring DIN 471 10/1,0
24	P499GA	Ring DIN 472 26/1,2
25	565.570	Pulley cpl.
26	565.573	Bearing pin ø32 x 87
27	565.571	Bearing pin
30	565.552	Cover
31	P489E	Screw DIN 912 M5 x 10 A2
32	P497R	Shim without bevel M5 5,3/15/2
33	560.216	Spring
34	565.553	Brush Wheel
35	P316P	Deep groove ball bearing 6205 2RS ø52 / 25 x 15
36	P961X	O-Ring 47/2,5
37	560.218	Hub Cover
39	P513D	Ring DIN 471 25/1,2
40	565.554	Ribbed belt 10 PJ 1651
41	P333	Nilos-Ring 6205ZAV
42	P342B	Radial shaft sealing ring 15x 23x 3 NBR

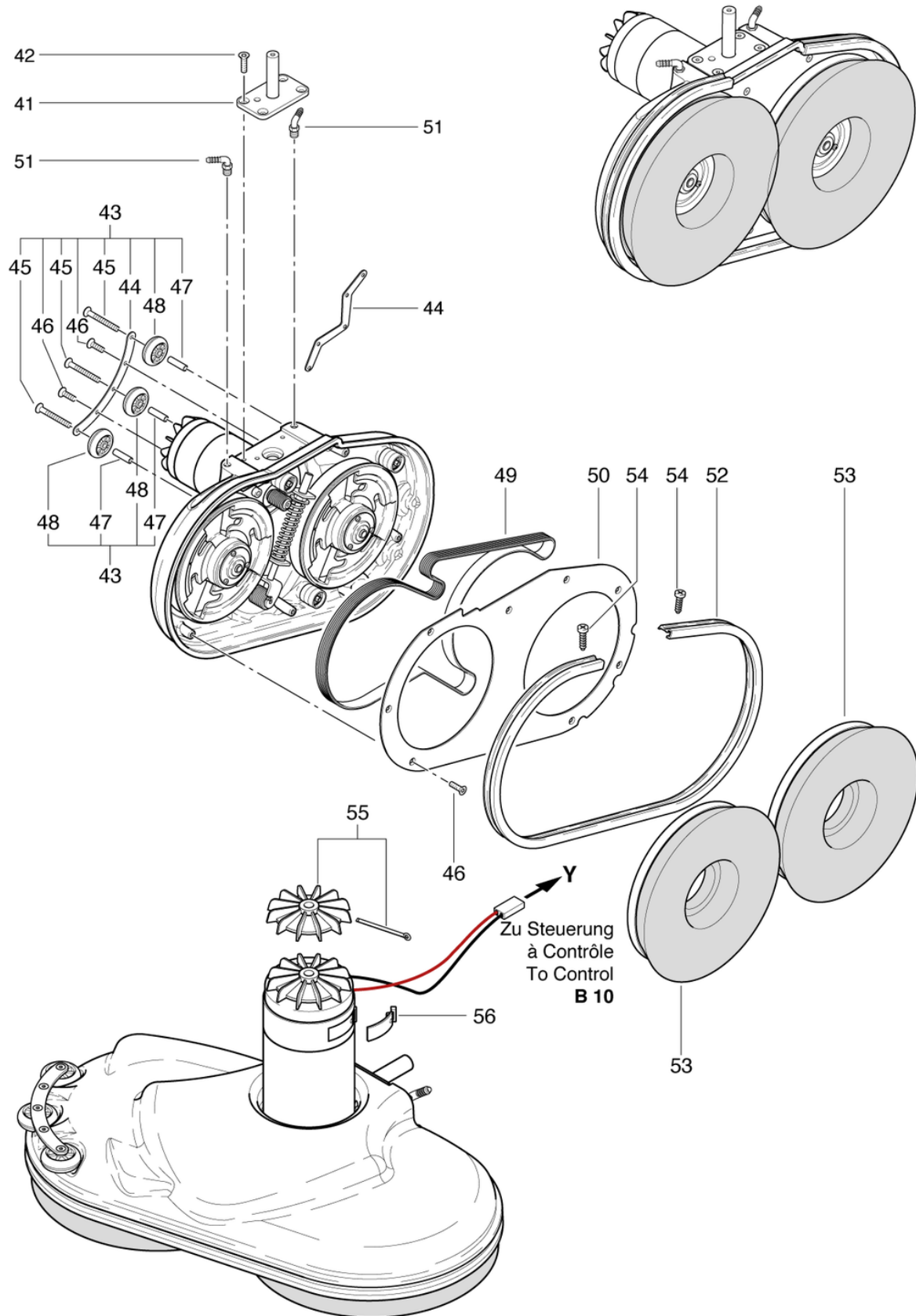
RA605-2 with chemical dosing system

Brush head twice-a

PDF created on: 10.11.2023 19:37



RA 605-2



Pos.	Item no.	Spare part
41	565.555	Rotation Flange
42	P479RA	Screw DIN 7991 M8 x 20
43	565.580	Deflector
44	565.581	Bracket
45	P479NA	Screw DIN 7991 M6 x 40
46	P479N	Screw DIN 7991 M6 x 14 A2
47	565.582	Socket
48	565.585	Skaters roll Ø50 edited
49	565.554	Ribbed belt 10 PJ 1651
50	565.517	Cover
51	P541H	Elbow nipple WES 8 / R1 / 4
52	565.518	Skirt
53	565.059	Scrubbing brush, Ø 31cm
54	P482L	Screw DBN 1014 4,8 x 13
55	565.593	Brush Motor Fan
56	565.594	Clip to carbon brush motor cover

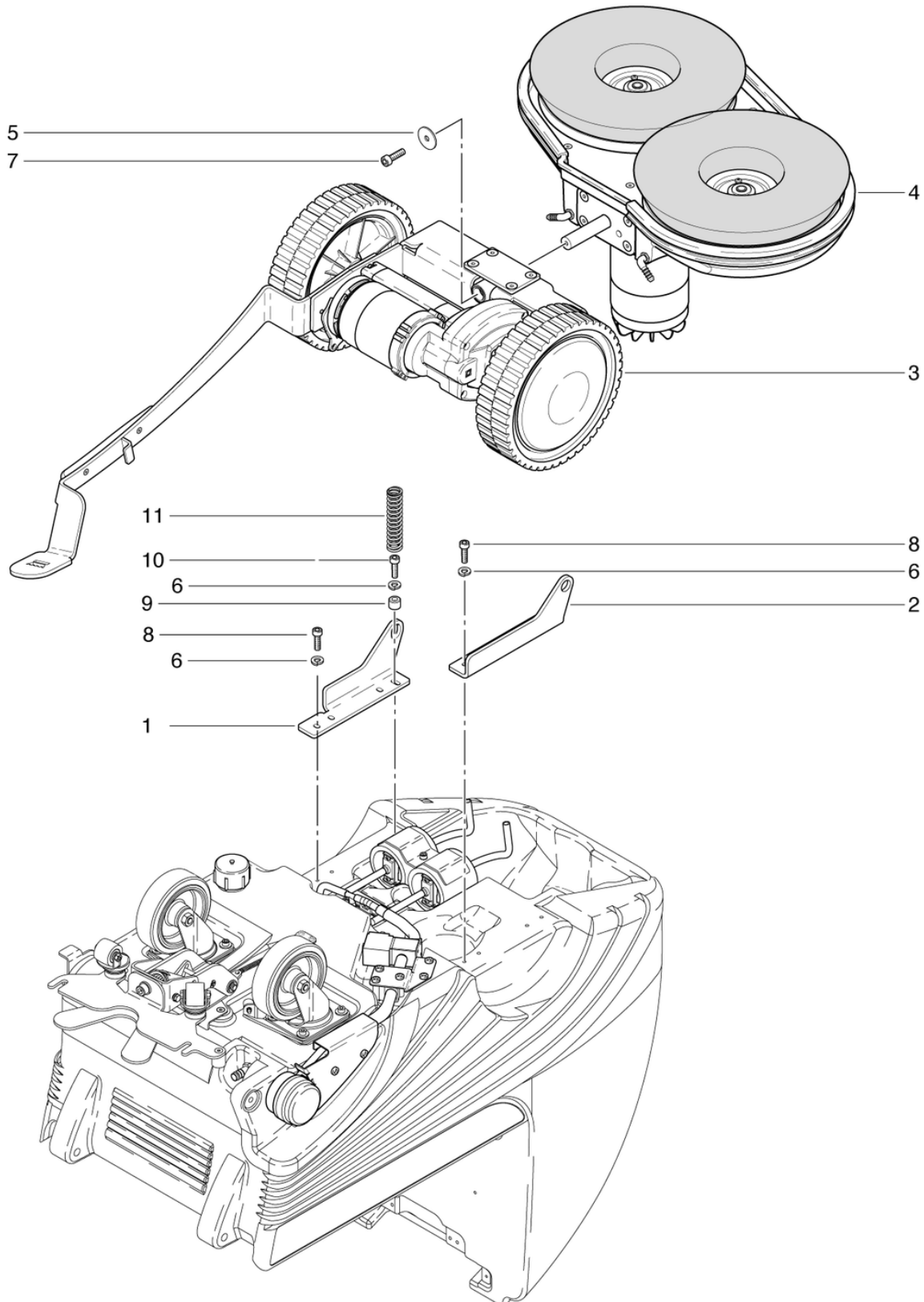
RA605-2 with chemical dosing system

Chassis assembly brush head

PDF created on: 10.11.2023 19:37



RA 605-2



Pos.	Item no.	Spare part
1	565.436	Holder bar right
2	565.462	Holder strip on the left
3	565.320	Lift mechanism
4	565.500A	RA605 Double Brush Head
5	P496PA	Washer DIN 522 M8 8,4/35/2,5
6	P498U	Ring DIN 127 B M6 6,1/11,8/1,6 A2
7	P487B	Screw DIN 912 M8 x 20
8	P486X	Screw DIN 912 M6 x 22
9	565.556	Spring
10	P486T	Screw DIN 912 M6 x 25
11	565.516	Compression spring VD-307 3.2 / 23.2 / 105

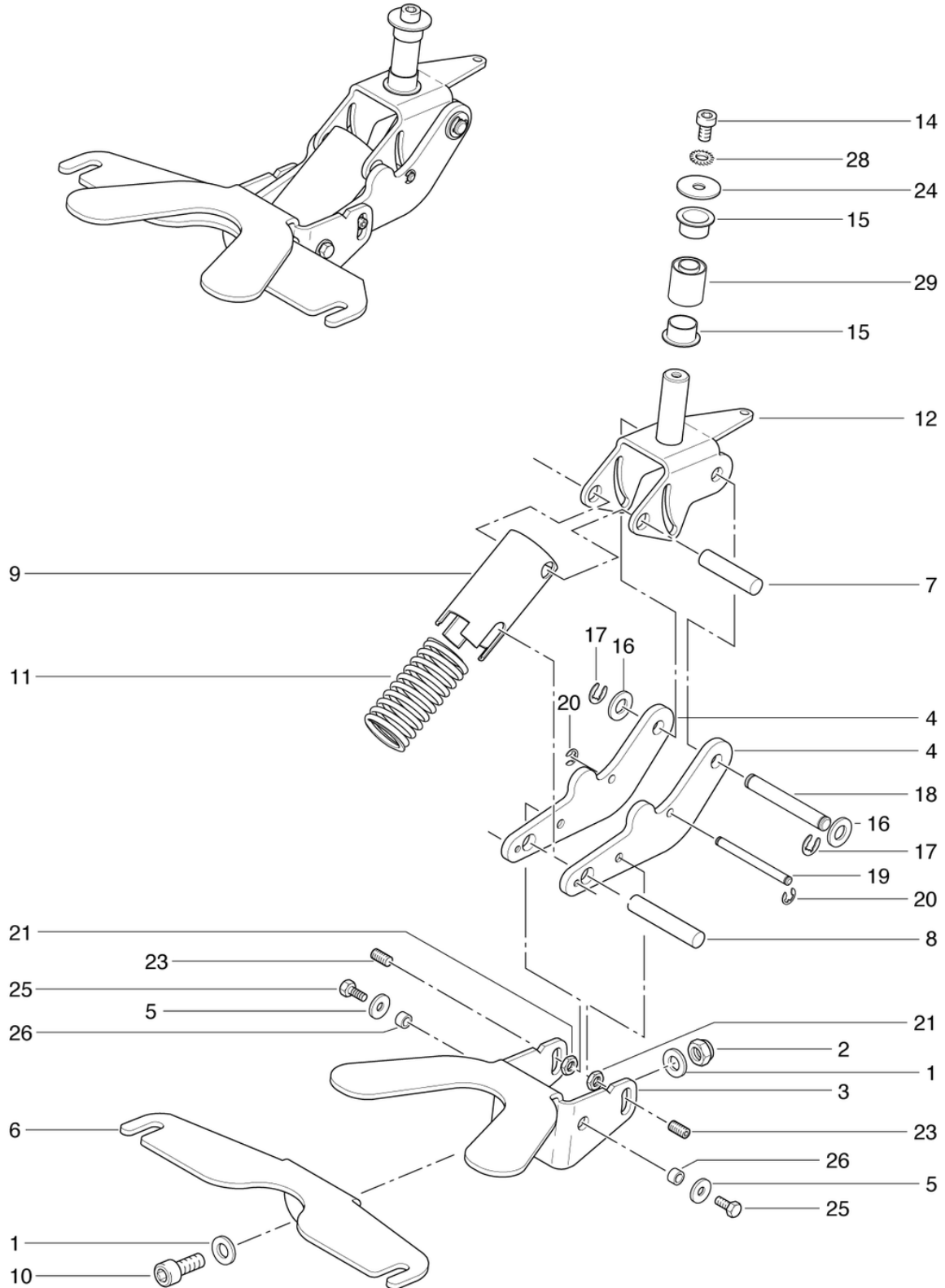
RA605-2 with chemical dosing system

Suction nozzle suspension

PDF created on: 10.11.2023 19:37



RA 605-2



Pos.	Item no.	Spare part
1	P510A	Shim DIN 125 A M10 10,5/20/2 PA6.6
2	P492Q	Nut DIN 985 M10
3	565.521A	Tread stainless
4	565.522A	Support shaft stainless
5	P497H	Washer DIN 9021 M6 6,4/18/1,6 A2
6	565.528A	Girder sheet metal stainless
7	565.524A	Stainless steel hinge bolt
8	565.525A	Pin stainless
9	565.526A	Spiral tube stainless
10	P487K	Screw DIN 912 M10 x 25
11	565.527	Compression spring VD-327 4/36/120
12	565.529A	Hinge plate cpl. rustproof
14	P471D	Screw DIN 933 M8 x 16
15	P316S	Plain bearing with collar GFM-1820-12
16	P496T	Shim DIN 125 A M10 10,5/20/2
17	P499Q	Shim DIN 6799 8/16,3/1
18	565.530	Pin
19	565.531	Pin
20	P513Z	Shim DIN 6799 5/11,3/0,7
21	P491M	Nut DIN 439 M8 St galvanized
23	P482XE	Pin DIN 913 M8 x 16 St galvanized
24	P500N	Washer DIN 522 M8 8,4/30/1,5 A2
25	P470T	Screw DIN 933 M6 x 16
26	080.267	Bushing \varnothing 10 / 6.5 x 6 A2
28	P498G	Shim DIN 6798 M8 8,4/15/0,8
29	565.463	Spring Element 20/38 x 48

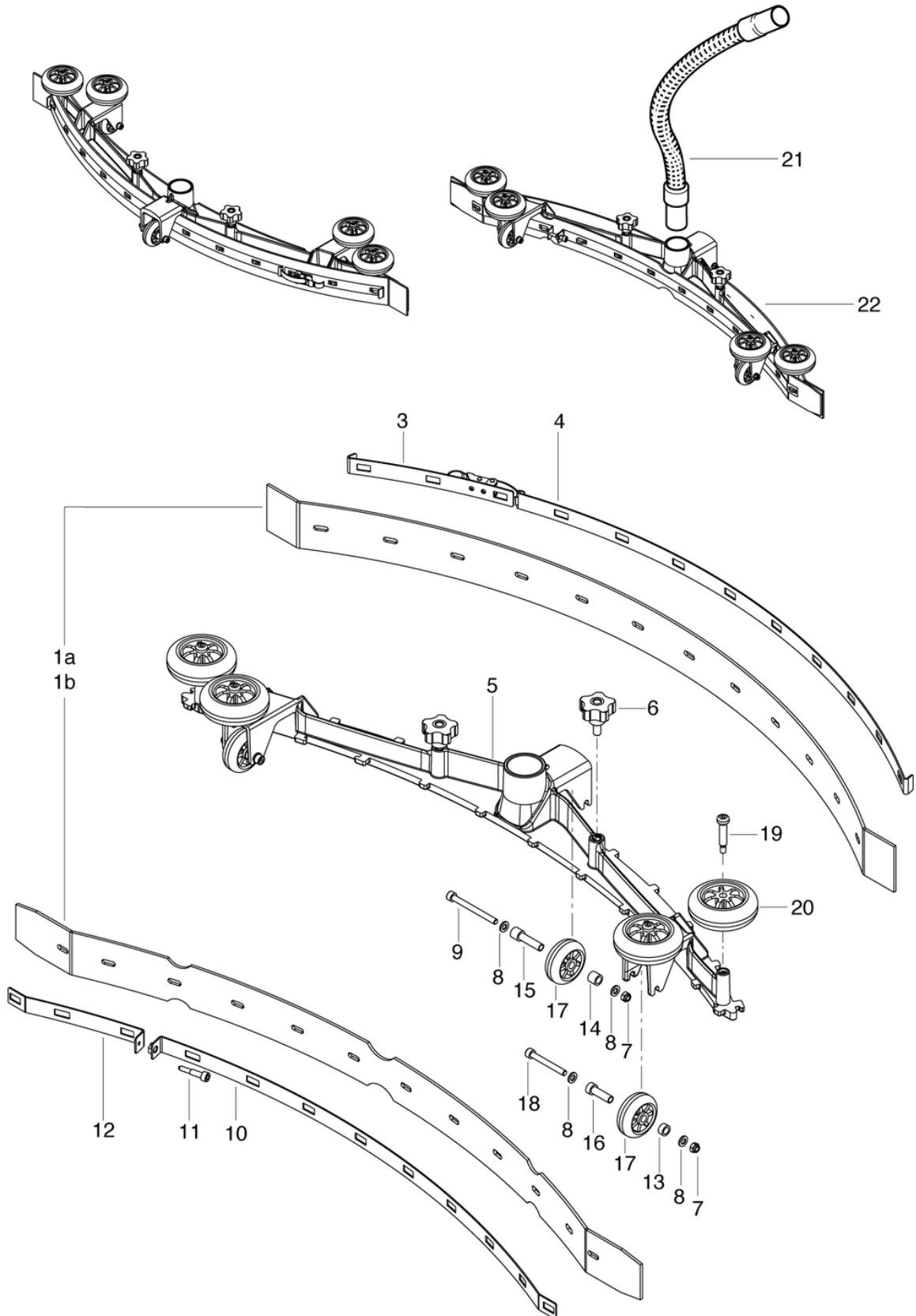
RA605-2 with chemical dosing system

Suction nozzle curved

PDF created on: 10.11.2023 19:37



RA 605-2



Pos.	Item no.	Spare part
1a	555.080LT	Rubber blade standard
1b	555.083	Rubber blade oil resistant
3	565.587	Support plate rear right
4	565.579	Support plate rear left
5	565.577	Suction nozzle body
6	530.607	Star handle ø40 M8 x 16
7	P492K	Nut DIN 985 M6 A2
8	P497K	Washer DIN 125 A M6 6,4/12/1,6 A2
9	P470F	Screw DIN 912 M6 x 65 A2
10	565.578	Support plate front left
11	800.425	Machined screw DIN 912 M6 x 30 A2
12	565.588	Support plate front right
13	605.304	Bushing Ø12 x Ø8 x 4.7
14	605.302	Bushing Ø12 x Ø8 x 9.5
15	605.301	Bushing Ø12 x Ø6.1 x 41
16	605.303	Bushing Ø12 x Ø6.1 x 31.4
17	P204E	Wheel with solid rubber tires D50mm
18	P470B	Screw DIN 912 M6 x 55
19	P481RB	Screw ISO 7379 8 x 30 M6
20	P204L	Skater wheel ø75
21	565.640	Hose complete
22	565.565A	Suction nozzle curved

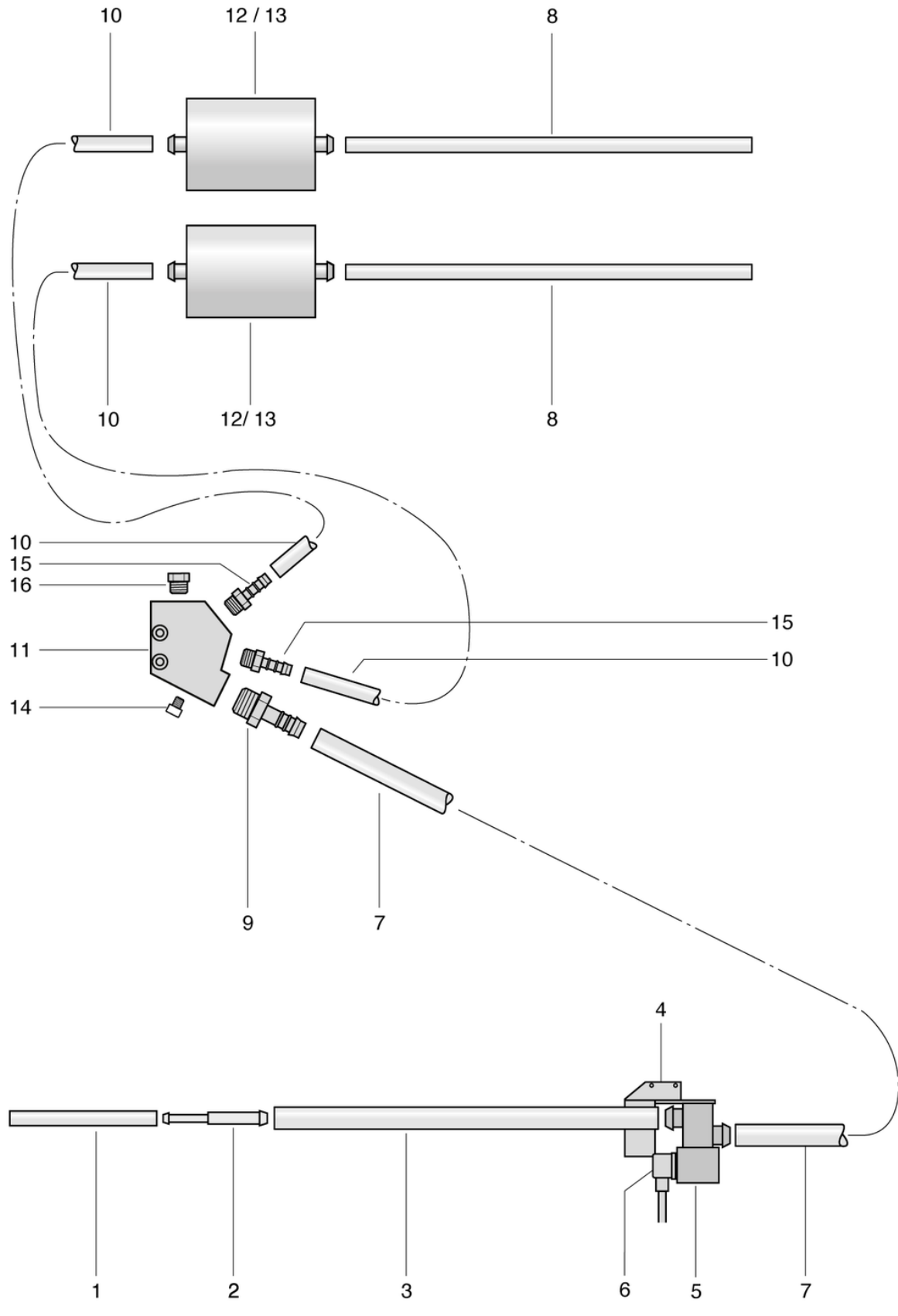
RA605-2 with chemical dosing system

Hose system

PDF created on: 10.11.2023 19:37



RA 605-2



Pos.	Item no.	Spare part
1	565.422	Hose
2	P539Z	Nipple GRS 12-8
3	565.429	Hose
4	565.403	Support
5	P258	Magnetic valve 24V
6	436.709	Cable For Magnetic Valve
7	565.419	Hose magnetic valve-nipple Ø18/12 x 190mm
8	565.428	Hose
9	P540N	Straight nipple GES NW12 / R3 / 8
10	565.418	Hose
11	565.540	Valve block
12	P817A	NDS-X Pump 24V
13	565.405	Rubber Connection Piece
14	P489C	Screw DIN 912 M5 x 6 A2
15	P540G	Straight nipple GES NW8 R 1/8
16	P542M	Blind plug R 1/4

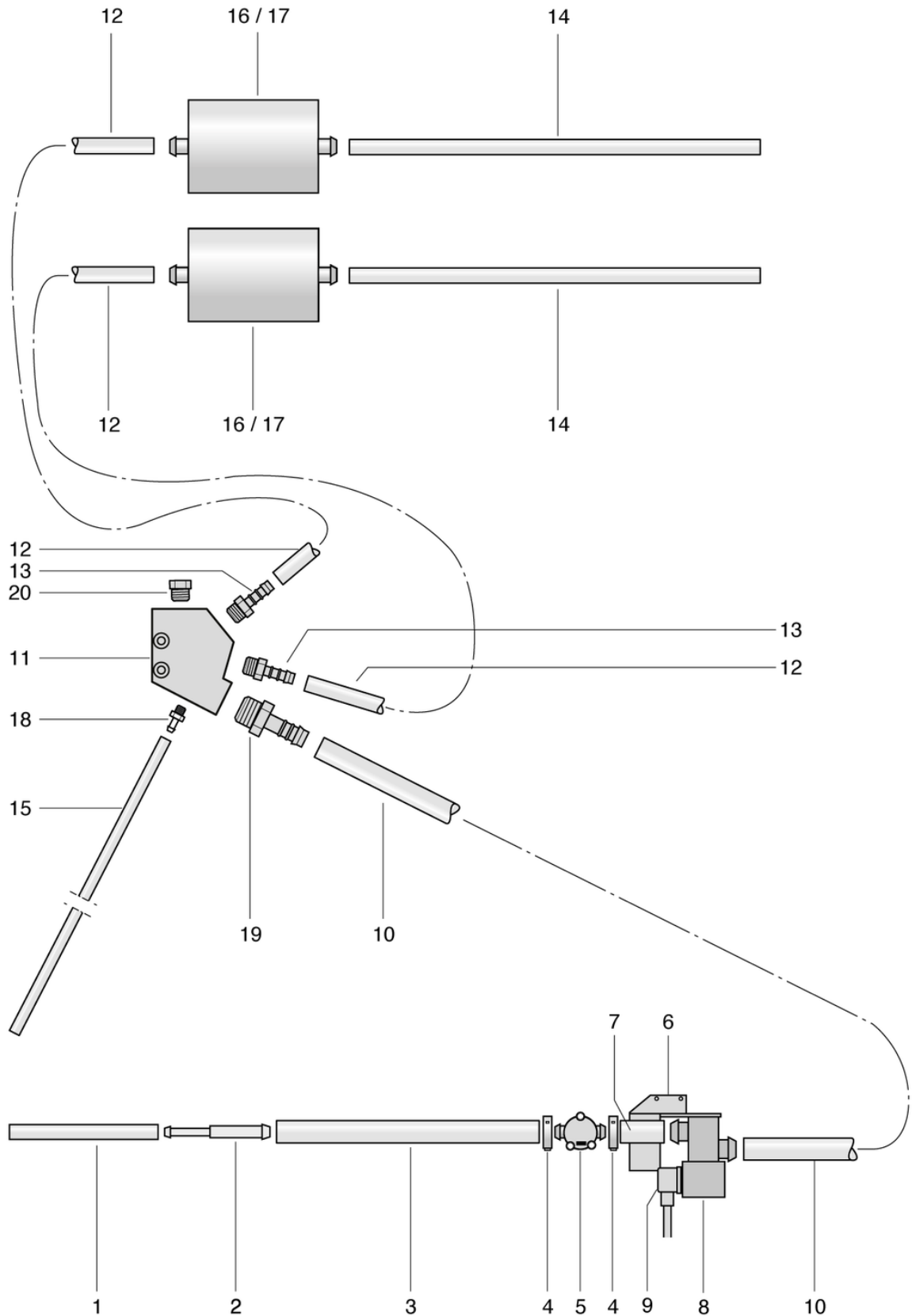
RA605-2 with chemical dosing system

Dosing hose system

PDF created on: 10.11.2023 19:37



RA 605-2



Pos.	Item no.	Spare part
1	565.422	Hose
2	P539Z	Nipple GRS 12-8
3	565.423	Hose d12x140
4	P550N	Hose clamp 19.8-706R
5	565.406	Flowmeter
6	565.403	Support
7	565.424	hose Flowmeter - Nipple
8	P258	Magnetic valve 24V
9	436.709	Cable For Magnetic Valve
10	565.419	Hose magnetic valve-nipple Ø18/12 x 190mm
11	565.540	Valve block
12	565.418	Hose
13	P540G	Straight nipple GES NW8 R 1/8
14	565.428	Hose
15	565.417	Hose
16	P817A	NDS-X Pump 24V
17	565.405	Rubber Connection Piece
18	320.170	Screw in Socket
19	P540N	Straight nipple GES NW12 / R3 / 8
20	P542M	Blind plug R 1/4

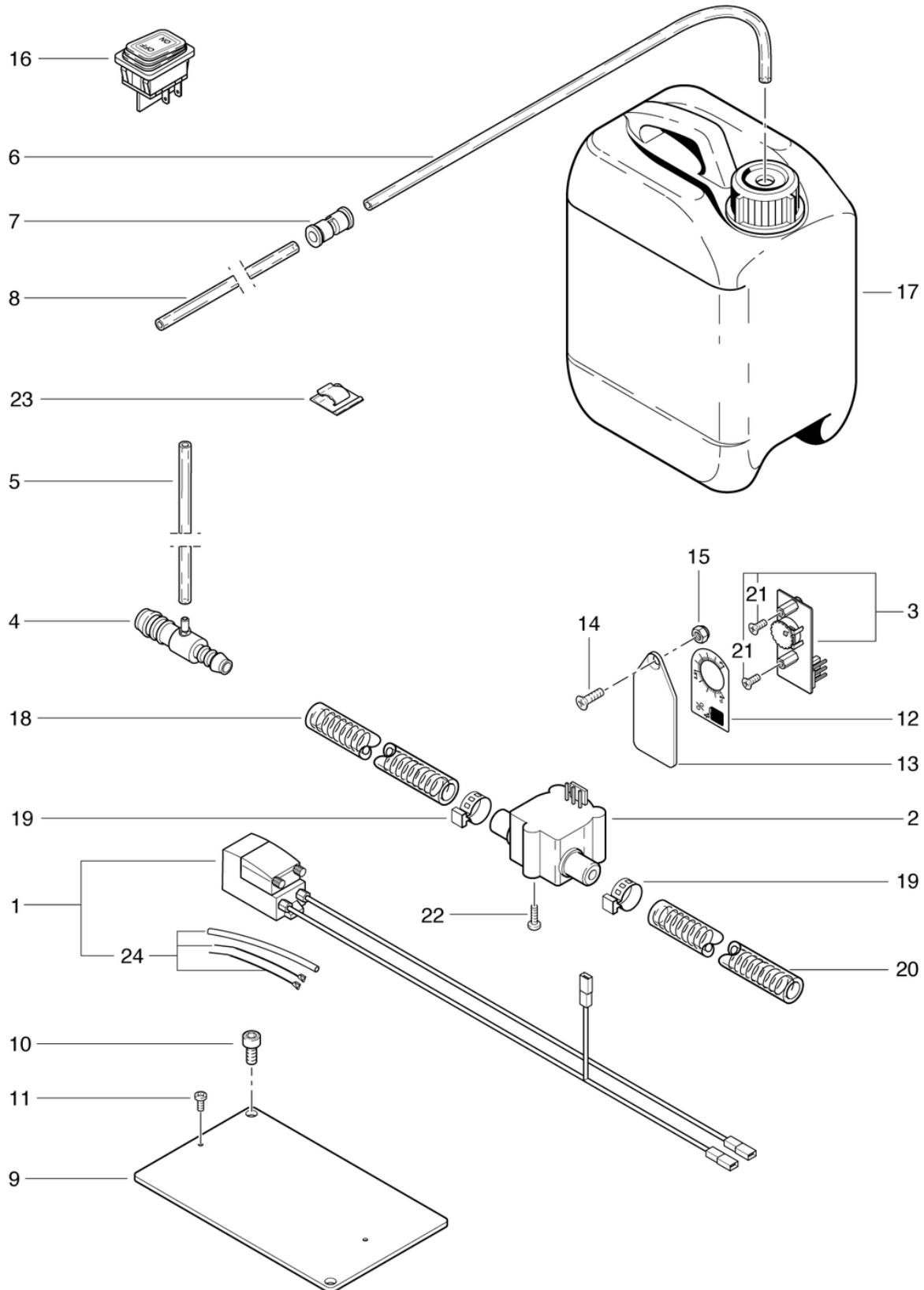
RA605-2 with chemical dosing system

Option chemical dosing

PDF created on: 10.11.2023 19:37



RA 605-2



Pos.	Item no.	Spare part
1	565.491	Chemical Dosing Pump
2	565.406	Flowmeter
3	565.488	Potiprint dosing pump
4	565.420	Nipple
5	P567H	Hose PU colorless Ø6/4
6	320.254	Spray Hose ø 6 / 4 x 0,41m
7	565.435	Connection Piece
8	565.432	Hose double nipple-Pump 4/6 x 1800mm
9	565.434	Adaptor plate
10	P489E	Screw DIN 912 M5 x 10 A2
11	P4760	Screw ISO DIN 7380 M3 x 8 A2K
12	565.439	Sticker
13	565.487	Cover flap
14	P479B	Screw DIN 965 M4 x 10 A2
15	P493D	Stopp-nut DIN 985 M4 A2
16	P241	Rocker switch white 24V
17	565.535	Canister 5l empty
18	565.423	Hose d12x140
19	P550N	Hose clamp 19.8-706R
20	565.424	hose Flowmeter - Nipple
21	P479X	Screw DIN 965 M3 x 5
22	P516P	Screw WN 1452 K40 x 12
23	P360	Nature cable holder
24	565.481	Pump hose set

RA605-2 with chemical dosing system

Wiring diagram

PDF created on: 10.11.2023 19:37



RA 605-2

