

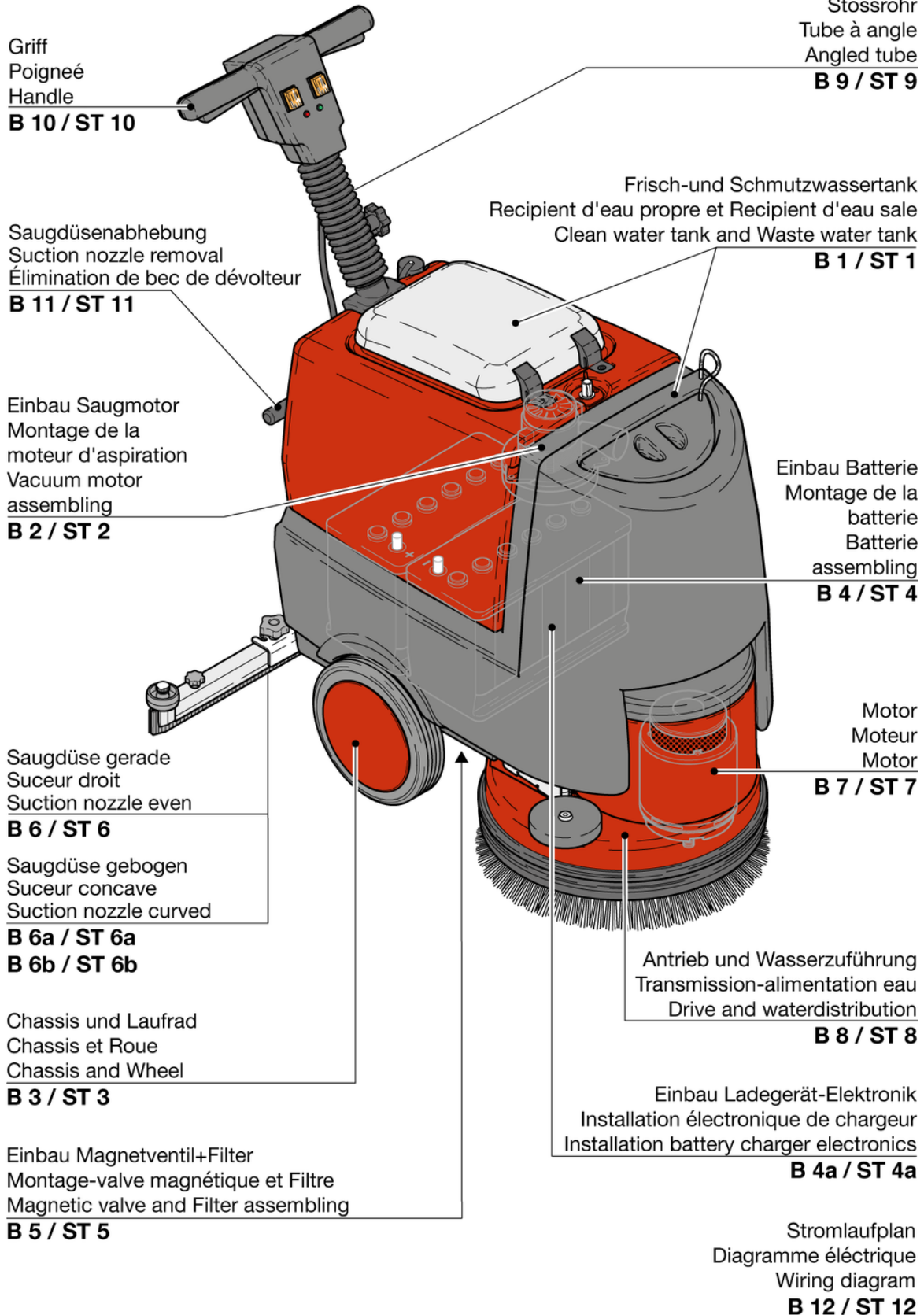
# CLEANFIX RA 431 IBC

## Contents

PDF created on: 10.11.2023 19:29



### RA 431 IBC



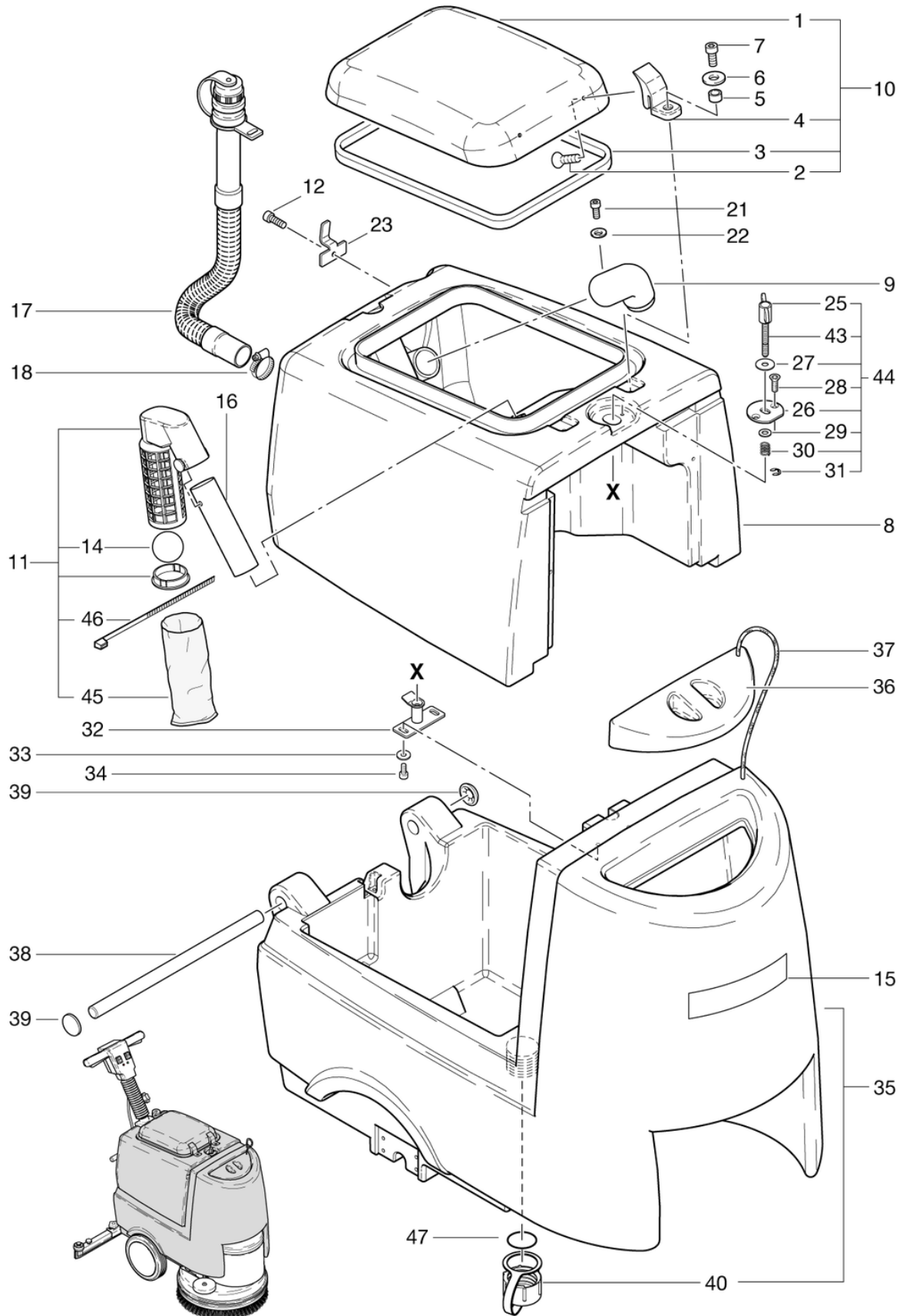
# CLEANFIX RA 431 IBC

## Clean water tank and Waste water tank

PDF created on: 10.11.2023 19:29



RA 431 B/IBC



Pos.	Item no.	Spare part
1	710.120	Cover of the dirty water tank processed transparently
2	P4800	Screw DIN 965 M4 x 8 A2
3	710.121	Cover seal EPDM black
4	710.122	Rubber Hinge
5	430.618	Distance ring $\varnothing 7/5 \times 5,5$
6	P497K	Washer DIN 125 A M6 6,4/12/1,6 A2
7	P488B	Screw DIN 912 M5 x 12 A2
8	436.200	Waste Tank RA431
9	560.674	Elbow connector $\varnothing 42 / 33$
10	470.468	Hood RA 431B / 430B vorm.
11	432.300	Float Basket Complete
12	P488E	Screw DIN 912 M5 x 8 A2
14	432.304	Ball $\varnothing 45$ mm
15	100	Label CLEANFIX size 2
16	436.205	Suction pipe to fan Alu $\varnothing 38 / 34 \times 130$ mm
17	P561	Drain hose with crimp sleeve 0.63m
18	P206D	Hose clamp 32-50mm/12
21	P484N	Screw DIN 7981 C 3,5 x 9,5
22	P496D	Shim DIN 125 A M4 4,3/9/0,8
23	P109G	Hose holder
25	P174	Wing nut M8 IG
26	436.221	Washer
27	P497T	Shim DIN 9021 M8 8,4/24/2 A2
28	P480PA	Screw DIN 7991 M5 x 8 A2
29	P496P	Washer DIN 125 A M8 8,4/16/1,6 A2
30	436.228	Compression spring DIN 2095 0.8 / 10.8 / 30
31	P500K	Washer DIN 6799 6/12/0,7 A2
32	432.407	Tank Adjustment
33	P497E	Shim DIN 9021 M5 5,3/15/1,2 A2
34	P481Z	Screw DIN 7985 M5 x 10 A2
35	436.100	Fresh Water Tank
36	432.115	Clean Water Cover
37	432.750	Holding rope $\varnothing 3 \times 260$ mm
38	436.220	joint rod
39	P499L	Ring Starlock 12 A2 with cap
40	432.110	Cover for Execution
43	436.226	Shaft
44	436.225	Fastener Complete
45	432.315	Filter Bag
46	P609B	Cable tie weatherproof- 3,5 x 200
47	500.411	Seal for cover

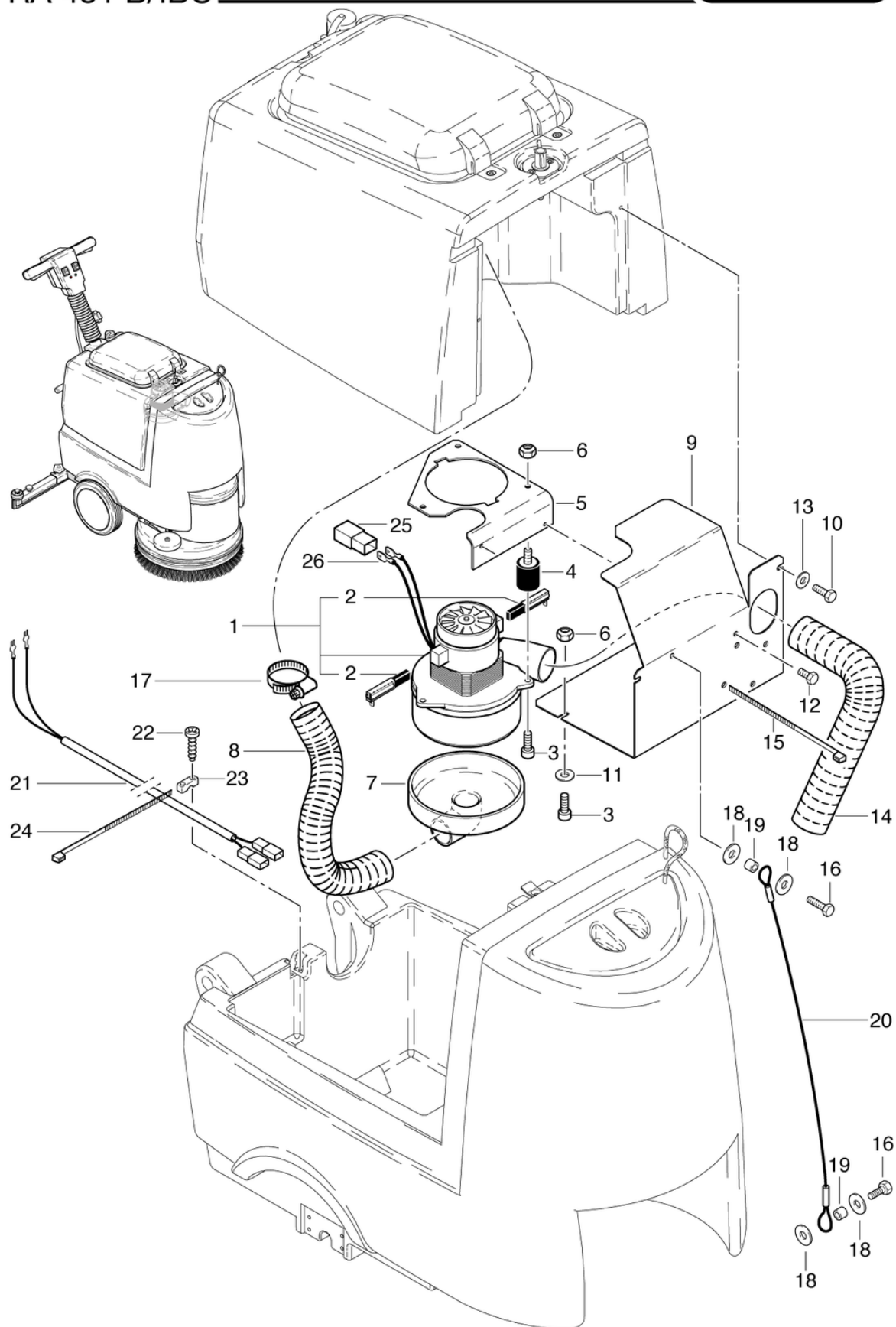
# CLEANFIX RA 431 IBC

## Vacuum motor assembling

PDF created on: 10.11.2023 19:29



RA 431 B/IBC



<b>Pos.</b>	<b>Item no.</b>	<b>Spare part</b>
1	440.206	Suction Motor- 24 V / 400W
2	P870KB	Carbon brushes (pair) OEP
3	P470RA	Screw ISO4017 M6 x 14 A2
4	400.217	Round buffer M6 x 8, ø 20 x 25
5	436.355	Motor support
6	P493K	Nut DIN 985 M6
7	470.490	Hose Connection Cap
8	436.353	Hose RA430
9	436.354	Cover
10	P471Z	Screw DIN 933 M6 x 10 A2
11	P497H	Washer DIN 9021 M6 6,4/18/1,6 A2
12	P470Q	Screw DIN 933 M6 x 8
13	P496K	Shim DIN 125 A M6 6,4/12/1,6
14	470.488	Drain hose
15	P424	Cable tie black 4.8 x 300mm
16	P472T	Screw DIN 933 M6 x 20 A2
17	P206D	Hose clamp 32-50mm/12
18	P510L	Washer DIN 522 M6 6,4/25/1,5 A2
19	742.129	Distance ring ø 8 / 6 x 4
20	436.447	Lift Cable 501B
21	436.357	Cable harness suction fan L=1,785m
22	P476E	Screw DIN 7985 M5 x 16 A2
23	4611085	Cable Clamp
24	P609B	Cable tie weatherproof- 3,5 x 200
25	P402B	Black insulating sleeve, 6.3 SIN
26	P401E	Push-on connector 6,3 x 0,8 - 1,5 - 2,5mm <sup>2</sup>

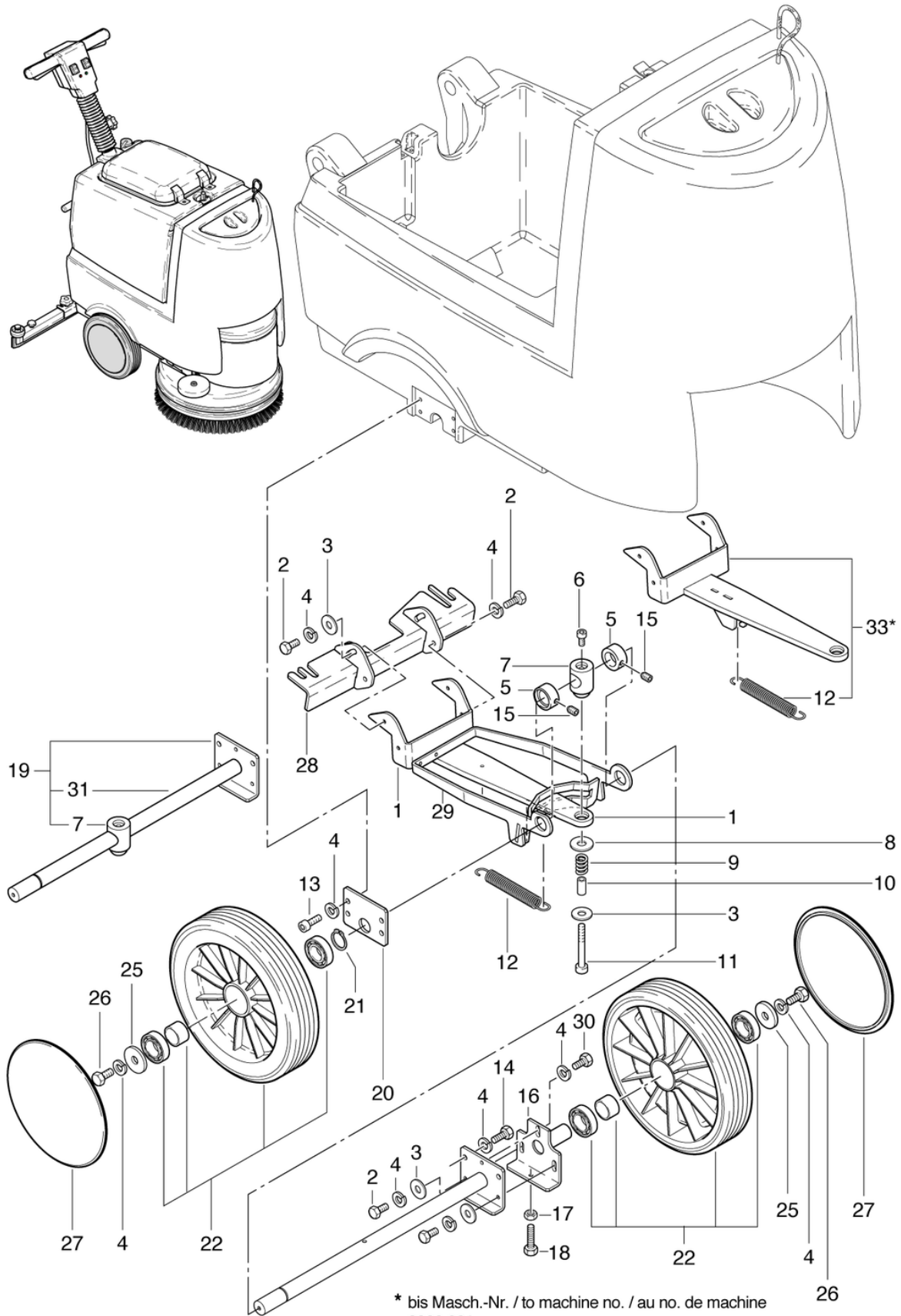
# CLEANFIX RA 431 IBC

## Chassis and Wheel

PDF created on: 10.11.2023 19:29



RA 431 B/IBC



\* bis Masch.-Nr. / to machine no. / au no. de machine  
**8820.001**

<b>Pos.</b>	<b>Item no.</b>	<b>Spare part</b>
1	432.082A	Squeegee support inner
2	P472R	Screw DIN 933 M6 x 12 A2
3	P497H	Washer DIN 9021 M6 6,4/18/1,6 A2
4	P498U	Ring DIN 127 B M6 6,1/11,8/1,6 A2
5	P335	Ring Ø32/20 x 14
6	P486YC	Screw DIN 912 M6 x 10 A2
7	432.063A	Ball stud rustproof
8	P496S	Washer DIN 9021 M10 10,5/30/2,5 A2
9	432.083	Spring VD-284 2.5 / 15/22
10	432.081	Distance ring ø9.6 / 6.2 x 30
11	P486Y	Screw DIN 912 M6 x 40 A2 with shaft
12	432.084A	Mainspring 2.5 / 18 / 85.8
13	P486R	Screw DIN 912 M6 x 16
14	P470T	Screw DIN 933 M6 x 16
15	P481C	Pin DIN 913 M6 x 6
16	432.061A	Drive axle rustproof
17	P490D	Nut DIN 934 M6
18	P472T	Screw DIN 933 M6 x 20 A2
19	436.060A	axle compl. rustproof
20	432.062A	right sheet rust-proof
21	P513EA	Ring DIN 471 20/1,2 A2
22	530.240	wheel ø226 x 53 including bearings
25	P510L	Washer DIN 522 M6 6,4/25/1,5 A2
27	530.242	Wheel Cover Red
28	432.380A	Squeegee support
29	432.090A	Squeegee support lift frame
30	P471Z	Screw DIN 933 M6 x 10 A2
31	436.064A	axle rustproof
33	432.075	Lever Complete

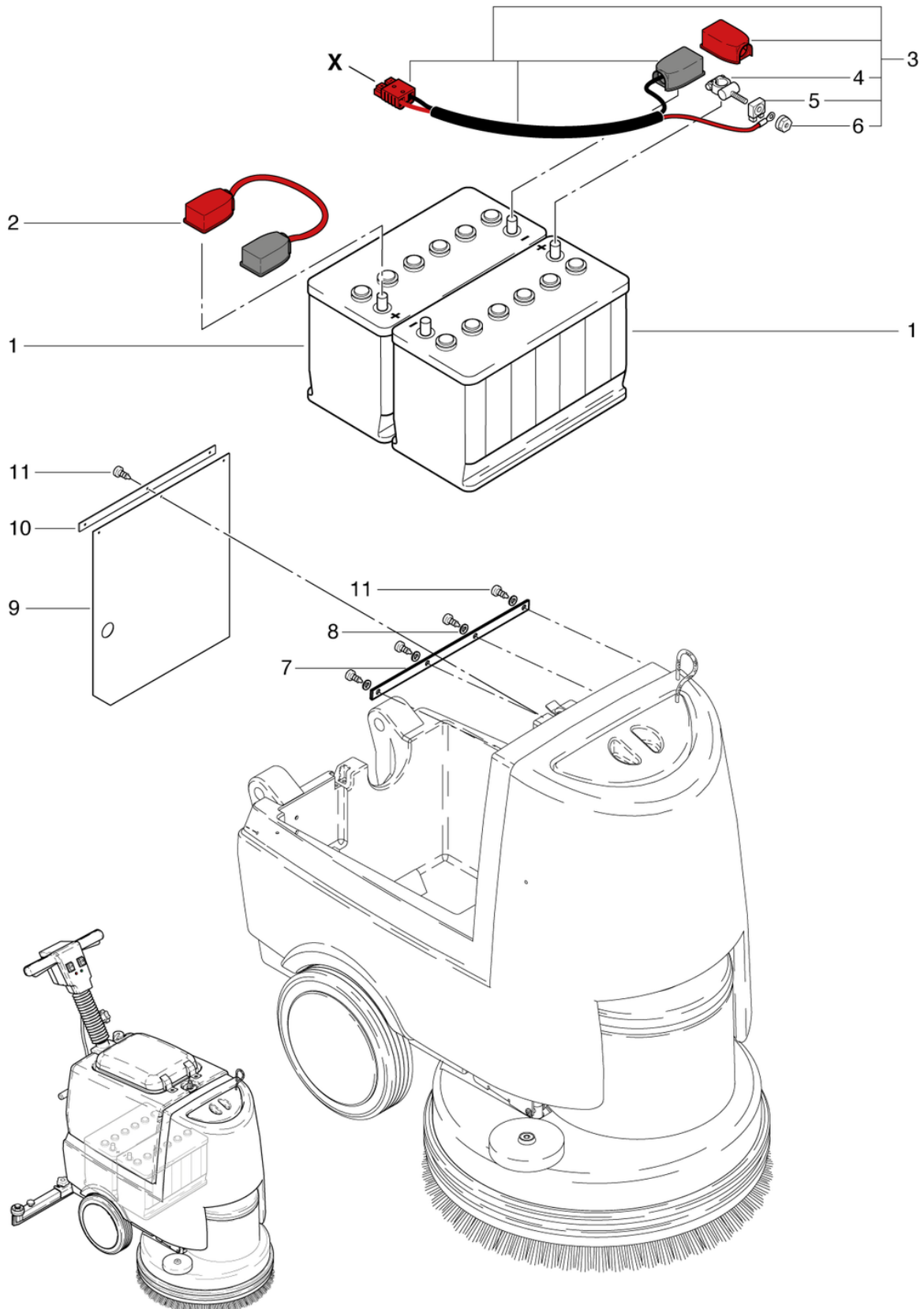
# CLEANFIX RA 431 IBC

## Batterie assembling

PDF created on: 10.11.2023 19:29



RA 431 IBC





<b>Pos.</b>	<b>Item no.</b>	<b>Spare part</b>
1	500.092	Set of 2 gel batteries à 12 V/85 Ah (C5) Eternity
2	436.985	Battery connection wire 10mm <sup>2</sup> , L = 0.16m
3	436.983	Battery Cable Tree
4	P357E	Battery clamp 1 pole
5	560.710	Fuse CF8, 75A
6	710.353	Insulating Nut
7	432.617	rubber profile
8	P497J	Shim DIN 9021 M3 3,2/9/0,8
9	436.625	Electronic protection lug
10	436.624A	rail rustproof
11	P483H	Screw DIN 7981 C 2,9 x 6,5 A2

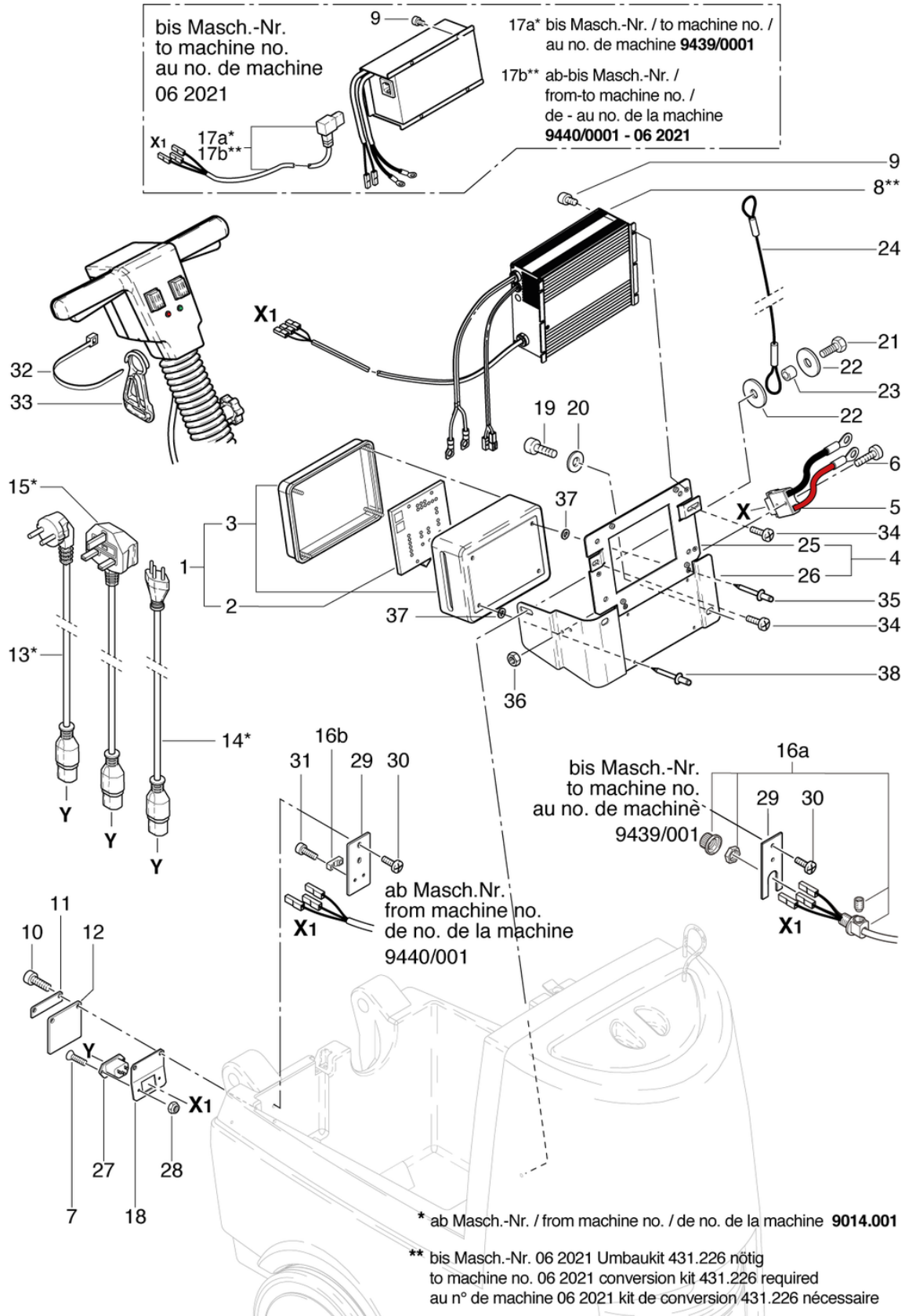
# CLEANFIX RA 431 IBC

## Installation battery charger electronics

PDF created on: 10.11.2023 19:29



RA 431 IBC



<b>Pos.</b>	<b>Item no.</b>	<b>Spare part</b>
1	436.770B	electronicboard V3.0 incl.case
2	436.776B	Electronic V3.0
3	436.774	El. box Cleanfix
4	436.053	Spring
5	436.713	Load Plug Wiring Harness
6	P475F	Screw DIN 85 A M4 x 20 A2
7	P479VZ	Screw DIN 965 A M3 x 8 A2
8**	431.226	Kit charger 24V/13A
8	431.225	Battery charger 24V/13A
9	P477	Screw DIN 912 M3 x 14
10	P488B	Screw DIN 912 M5 x 12 A2
11	436.623	Attachment Sheet Metal
12	560.622	plug cover
13	436.790	Main cable VDE 3 x 1.00mm <sup>2</sup> , black
14	436.791	Cable SEV 3 x 1,00mm <sup>2</sup> , black, 2.50m
15	436.792	Connection cable GB 3 x 1,00mm <sup>2</sup> , black
16a	P279	2-part strain relief clamp
16b	4611085	Cable Clamp
17a	436.795	Cable harness charger
17b	436.796	Cable harness charger
18	438.801	Holder
19	P486YC	Screw DIN 912 M6 x 10 A2
20	P497H	Washer DIN 9021 M6 6,4/18/1,6 A2
21	P470T	Screw DIN 933 M6 x 16
22	P510L	Washer DIN 522 M6 6,4/25/1,5 A2
23	742.129	Distance ring ø 8 / 6 x 4
24	436.447	Lift Cable 501B
25	436.051	Girder sheet metal
26	436.773	Carrier control box
27	438.802	Plug
28	P493C	Nut DIN 985 M3 A2
29	436.775	Retaining plate
30	P481Z	Screw DIN 7985 M5 x 10 A2
31	P488F	Screw DIN 912 M5 x 14 A2
32	P609B	Cable tie weatherproof- 3,5 x 200
33	P375	Cable assembly discharge
34	P470Q	Screw DIN 933 M6 x 8
35	P485C	Rivet Pop Standard 4.0 x 8.0 Alu / St
36	P490B	nut DIN 934 M4
37	P497C	Washer DIN 9021-A M4 4,3/12/1 A2
38	P485D	Rivet Pop Standard 4.0 x 12.0 Alu/pc

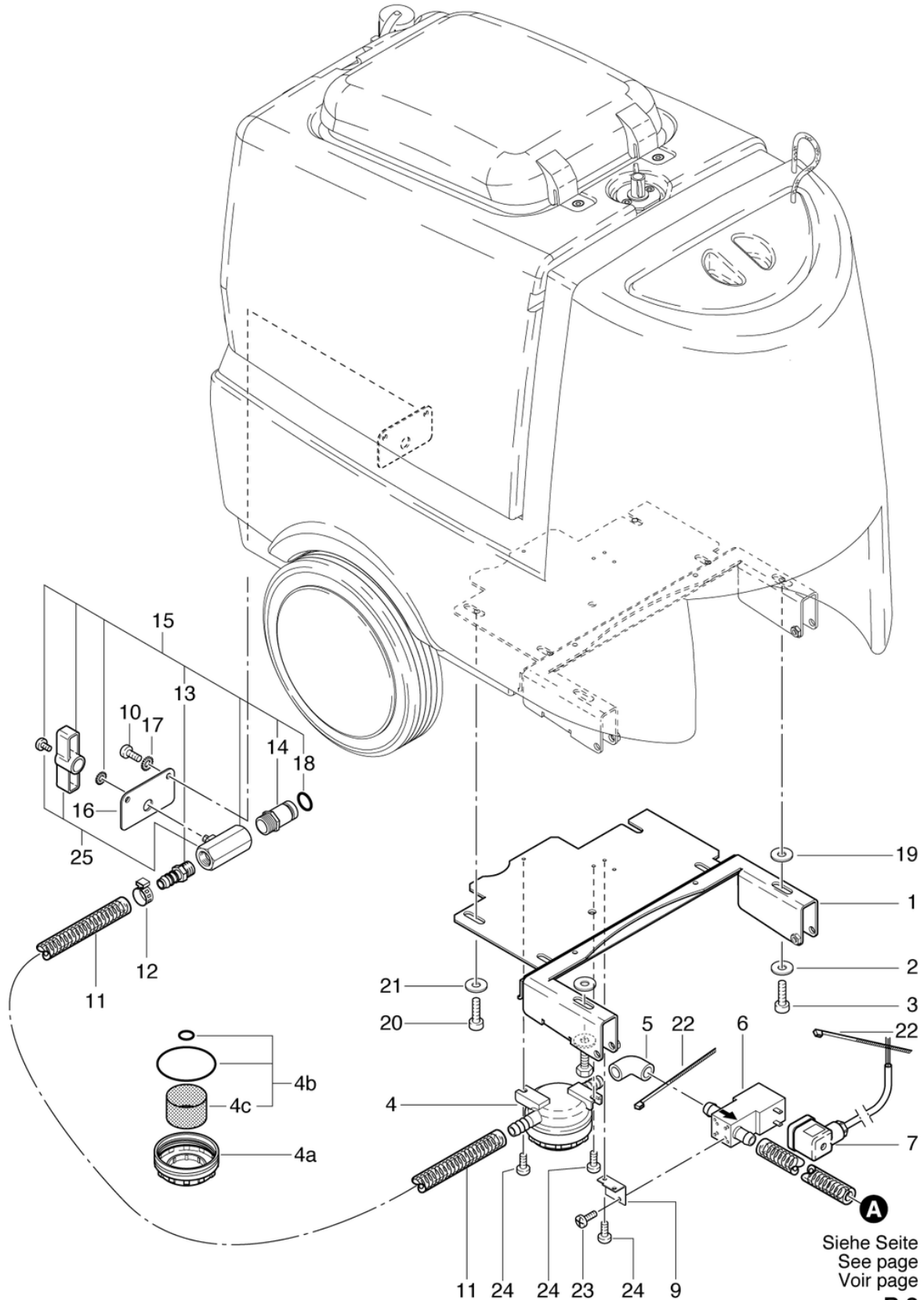
# CLEANFIX RA 431 IBC

## Magnetic valve and Filter assembling

PDF created on: 10.11.2023 19:29



RA 431 B/IBC



Siehe Seite  
See page  
Voir page  
**B 8**

<b>Pos.</b>	<b>Item no.</b>	<b>Spare part</b>
1	436.052A	Support plate B stainless
2	P497H	Washer DIN 9021 M6 6,4/18/1,6 A2
3	P486R	Screw DIN 912 M6 x 16
4a	430.258	Cover to fresh water filter 1/2" + 3/8"
4b	430.759A	Filter Assembly
4c	430.759B	Filter sieve
4	430.759	Fresh water filter 1/2"-1/2" mesh 40
5	432.091	Elbow connector
6	P258	Magnetic valve 24V
7	436.709	Cable For Magnetic Valve
9	432.096A	angle bracket valve rustproof
10	P481Z	Screw DIN 7985 M5 x 10 A2
11	430.236	Tube
12	P550N	Hose clamp 19.8-706R
13	P519B	Nipple 1/2
14	432.087	Nipple 1/2
15	432.085	Valve Complete
16	432.092A	Plate for ball valve, printed rust-free
17	P498D	Washer DIN 6798 M5 5,1/9/0,5 A2
18	P960O	Ring DIN 3771 15,88/2,62
19	P510L	Washer DIN 522 M6 6,4/25/1,5 A2
20	P486QA	Screw DIN 912 M6 x 14 A2
21	P498U	Ring DIN 127 B M6 6,1/11,8/1,6 A2
22	P609B	Cable tie weatherproof- 3,5 x 200
23	P515W	Screw WN 1451 K40 x 8
24	P476V	Screw SN 213306 M4 x 5
25	500.355A	Ball valve 1/2 I-I thread

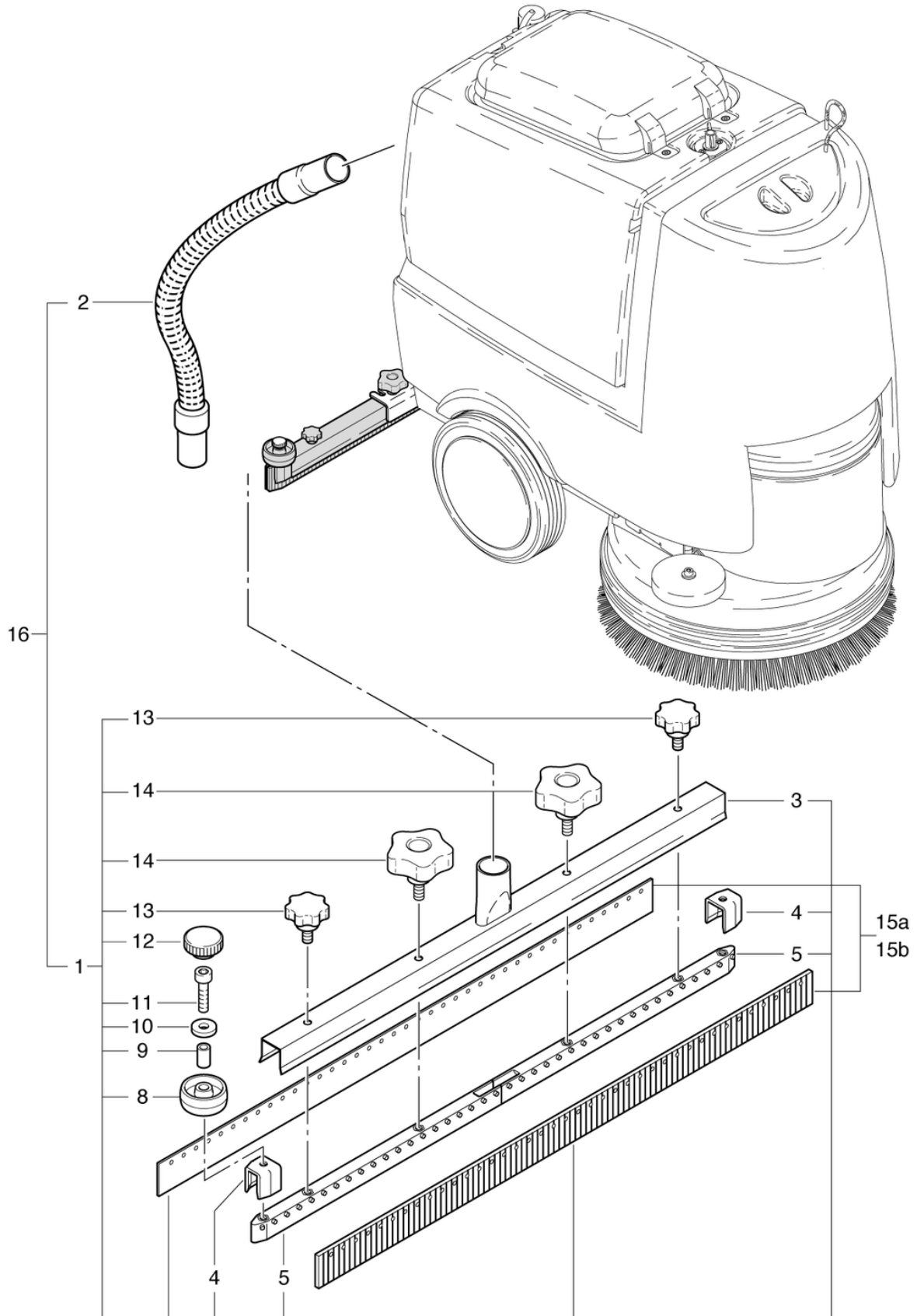
# CLEANFIX RA 431 IBC

## Suction nozzle even

PDF created on: 10.11.2023 19:29



RA 431 B/IBC



<b>Pos.</b>	<b>Item no.</b>	<b>Spare part</b>
1	430.600	Suction nozzle Complete 70cm
2	470.831	Suction hose 0.64m
3	430.602	Suction nozzle housing
4	530.606	Nozzle End Piece
5	430.603	Holder For Blades
8	450.364F	Plastic Wheel 50mm
9	530.609	Distance tube 8/6 x 28mm
10	P497H	Washer DIN 9021 M6 6,4/18/1,6 A2
11	P486U	Screw DIN 912 M6 x 35 A2 with shaft
12	P494X	Handle BN 5364 M6 10/20 / 7.5 POM
13	530.607	Star handle ø40 M8 x 16
14	P253M	Star grip Ø62 M8 x 18 A2
15a	430.082	Rubber blade standard (suction nozzle straight)
15b	430.080	Rubber blade oil resistant (suction nozzle straight)
16	432.020	Suction nozzle straight, standard

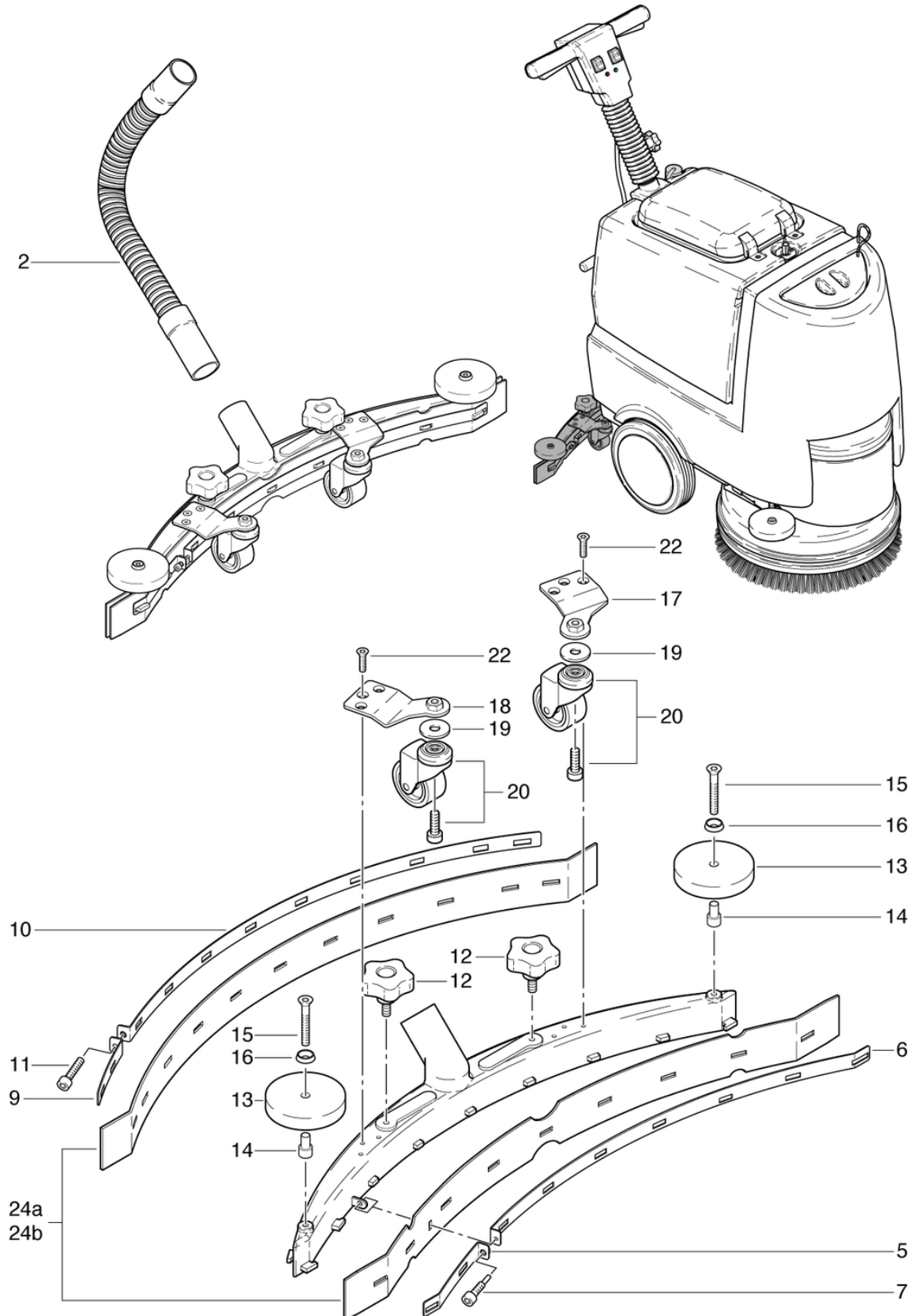
# CLEANFIX RA 431 IBC

## Suction nozzle curved (old model)

PDF created on: 10.11.2023 19:29



RA 431 B/IBC





<b>Pos.</b>	<b>Item no.</b>	<b>Spare part</b>
2	470.832	Suction Hose Complete 32mm x 0,64m
5	432.561	Support Plate small, in front
6	432.563	Support Plate in front
7	800.425	Machined screw DIN 912 M6 x 30 A2
9	432.564	Support Plate Small in back
10	432.562	Back Support Plate
11	P488Q	Screw DIN 912 M6 x 25 A2
12	P253M	Star grip Ø62 M8 x 18 A2
13	510.127	Fender Wheel ø90mm
14	432.508	Distance ring ø15/8,5 x 26,8
15	P479P	Screw DIN 7991 M8 x 45 A2
16	P500T	Shim SN 213912 M8 25/4,8 A2
17	432.553A	roller holder left rustproof
18	432.554A	roller holder right rustproof
19	P500S	Shim DIN 433 M10 10,5/18/1,6 A2
20	P209B	Caster with Screw M10 x 20
22	P479N	Screw DIN 7991 M6 x 14 A2
24a	432.080LT	Rubber blade standard (suction nozzle curved)
24b	432.551	Rubber blade oil resistant (suction nozzle curved)

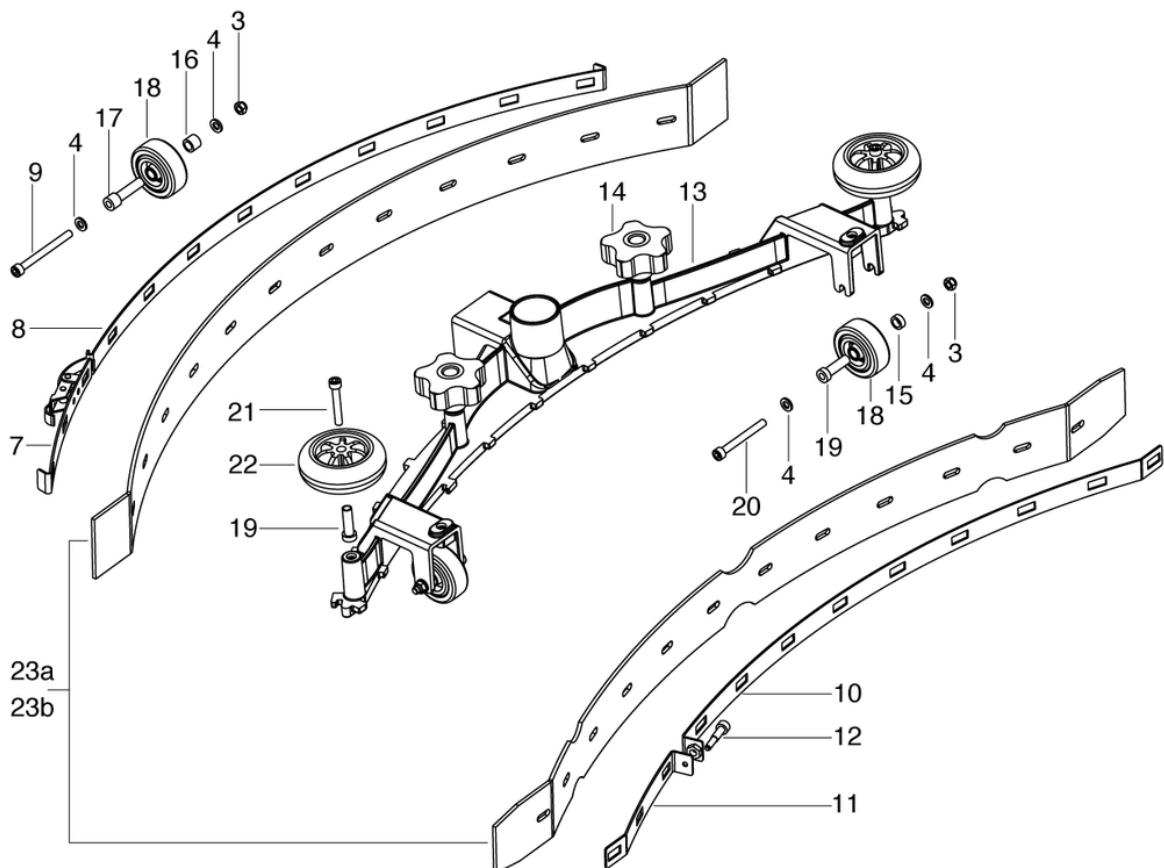
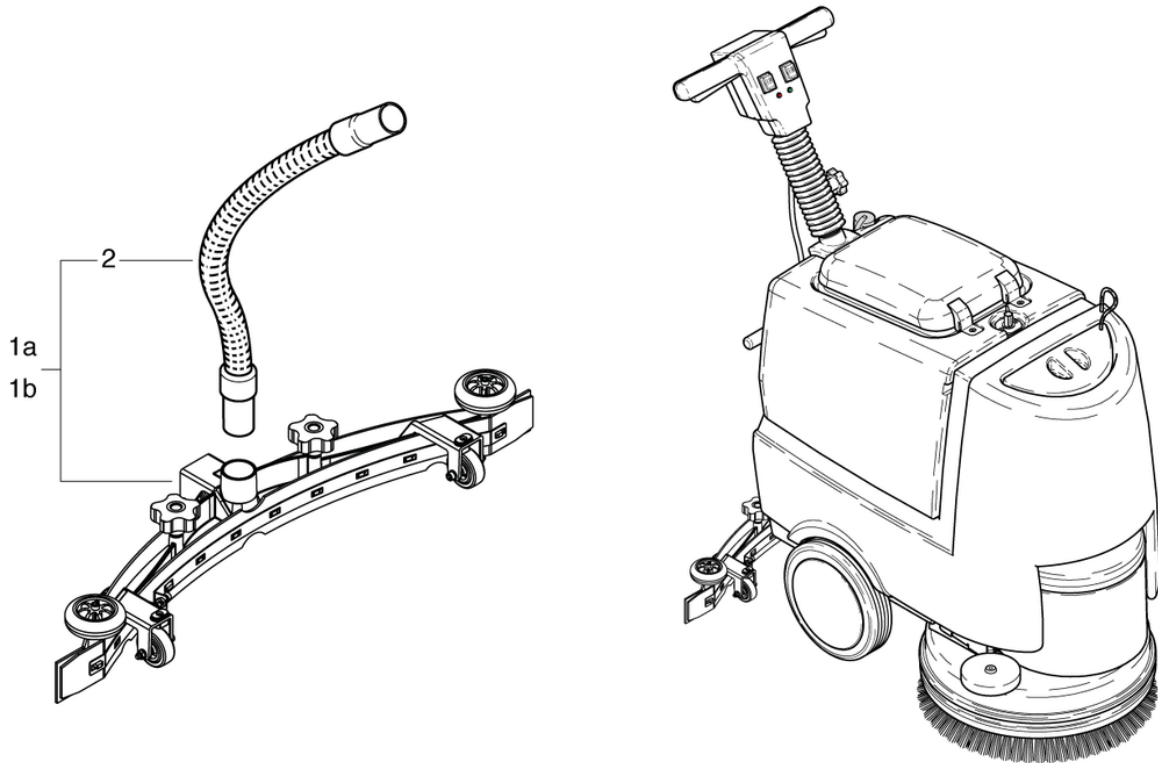
# CLEANFIX RA 431 IBC

## Suction nozzle curved

PDF created on: 10.11.2023 19:29



RA 431 B/IBC



<b>Pos.</b>	<b>Item no.</b>	<b>Spare part</b>
1a	432.559	Suction nozzle curved, standard
1b	432.600	Suction nozzle curved oil and grease resistant
2	470.832	Suction Hose Complete 32mm x 0,64m
3	P492K	Nut DIN 985 M6 A2
4	P497K	Washer DIN 125 A M6 6,4/12/1,6 A2
7	432.565	Support plate rear right
8	432.566	Support plate rear left
9	P470F	Screw DIN 912 M6 x 65 A2
10	432.567	retaining plate left upfront
11	432.571	retaining plate right upfront
12	800.425	Machined screw DIN 912 M6 x 30 A2
13	432.573	Suction nozzle body
14	P253M	Star grip Ø62 M8 x 18 A2
15	605.304	Bushing Ø12 x Ø8 x 4.7
16	605.302	Bushing Ø12 x Ø8 x 9.5
17	605.301	Bushing Ø12 x Ø6.1 x 41
18	P204E	Wheel with solid rubber tires D50mm
19	605.303	Bushing Ø12 x Ø6.1 x 31.4
20	P470B	Screw DIN 912 M6 x 55
21	P486Y	Screw DIN 912 M6 x 40 A2 with shaft
22	P204L	Skater wheel ø75
23a	435.080LT	Rubber blade standard (suction nozzle curved)
23b	435.083	Rubber blade oil resistant (suction nozzle curved)

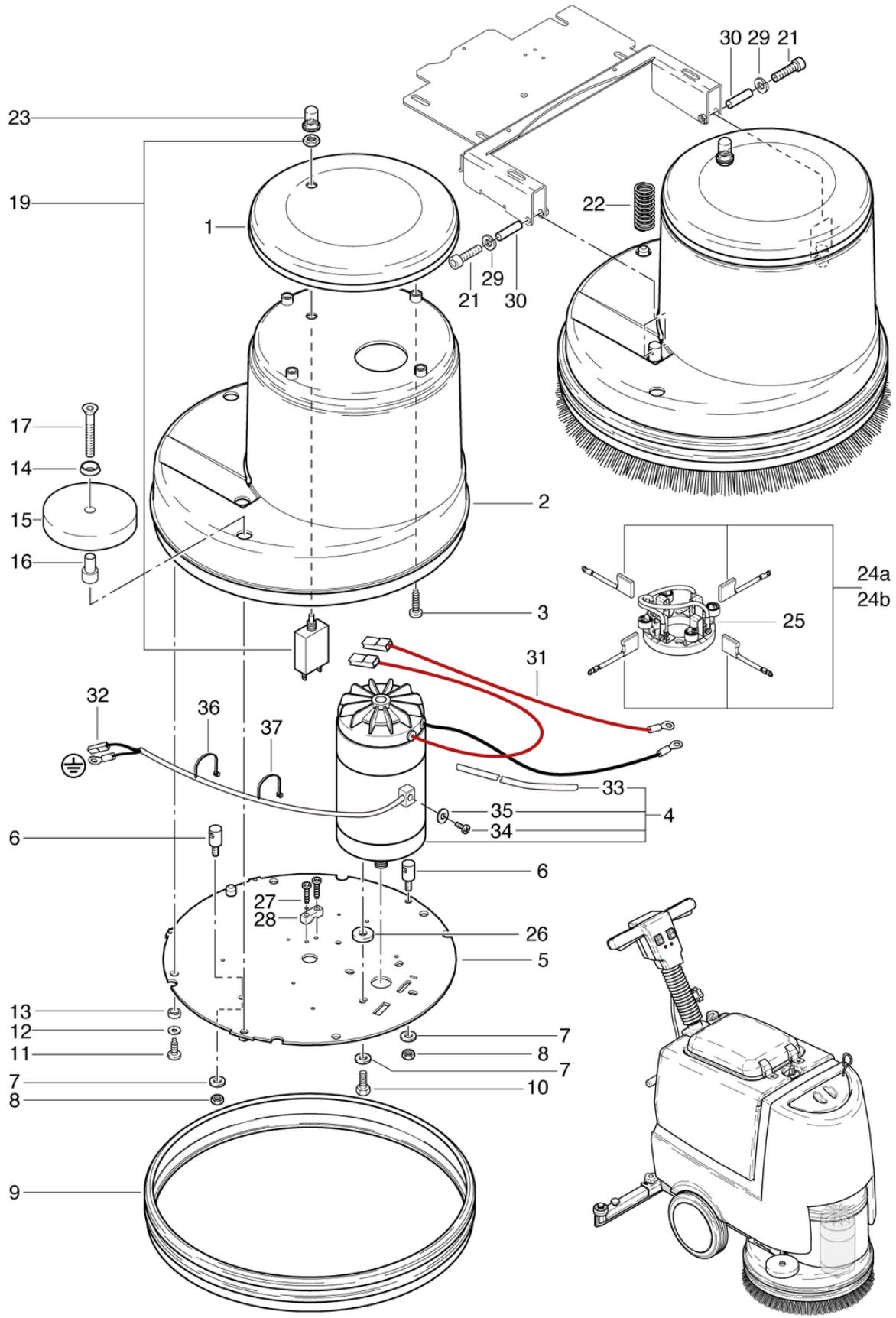
# CLEANFIX RA 431 IBC

## Motor

PDF created on: 10.11.2023 19:29



RA 431 B/IBC



Pos.	Item no.	Spare part
1	748.0670	Anthracite gray lid
2	432.513	Motor Cover
3	P516H	Screw WN 1451 K50 x 16
4	436.123	Motor 24v DC 600W
5	432.502A	Drive plate RA 431 stainless
6	432.505A	Hold bolt rustproof
7	P496P	Washer DIN 125 A M8 8,4/16/1,6 A2
8	P492H	Nut DIN 985 M8 St galvanized
9	720.054	Powerdisc Buffer Housing
10	P471E	Screw DIN 933 M8 x 20 A2
11	P515LA	Screw WN 1452 K50 x 10 A2
12	P497E	Shim DIN 9021 M5 5,3/15/1,2 A2
13	432.515	Distance Ring
14	P500T	Shim SN 213912 M8 25/4,8 A2
15	510.127	Fender Wheel ø90mm
16	432.508	Distance ring ø15/8,5 x 26,8
17	P479E	Screw DIN 7991 M8 x 50
19	470.355	Motor protection switch 25A
21	P486U	Screw DIN 912 M6 x 35 A2 with shaft
22	436.520	Compression spring DIN 2095 2.0 / 18/56
23	500.957A	Protective Cap
24a	436.121A	Carbon Brushes (Set of 4)
24b	436.121B	Carbon Brushes (Set of 4)
25	436.121.10	Mounting Ring
26	P495Z	Shim DIN 7349 M8 8,4/21/4 A2
27	P476E	Screw DIN 7985 M5 x 16 A2
28	4611085	Cable Clamp
29	P497K	Washer DIN 125 A M6 6,4/12/1,6 A2
30	432.522	Guide BK
31	436.711	braid MS red 6mm <sup>2</sup> L=1000m
32	436.314	Motor wiring harness incl. temperature sensor
33	436.701	Insulating hose ø12 x 0,52m
34	P478C	Screw DIN 84 M4 x 10 Ms
35	P498A	Ring DIN 127 B M4 4,1/7,6/0,9 CuSn
36	P609B	Cable tie weatherproof- 3,5 x 200
37	P421	Cable tie black 2.5 x 98mm

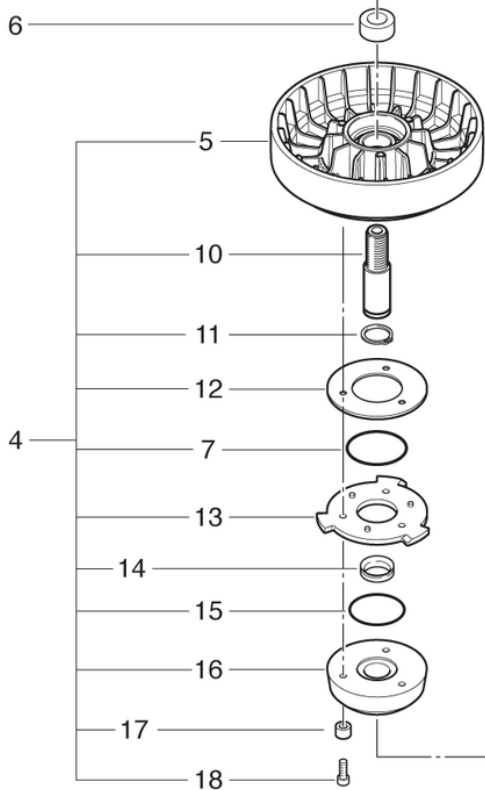
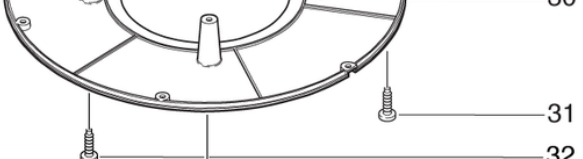
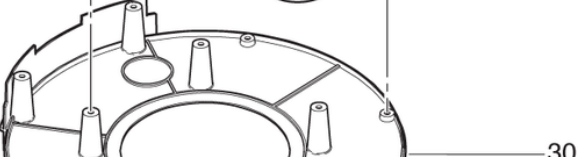
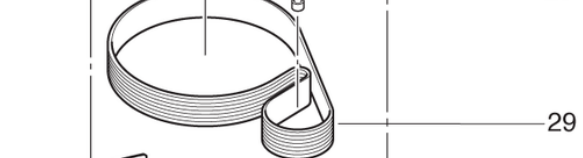
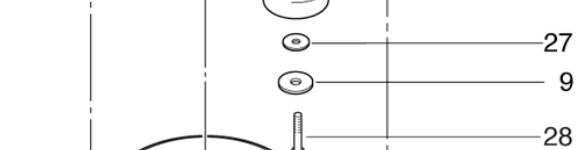
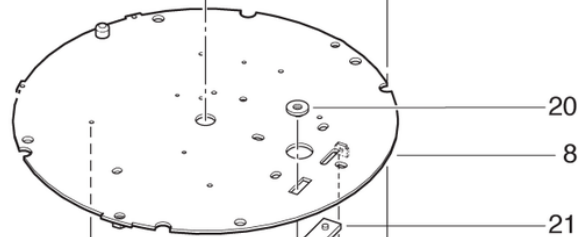
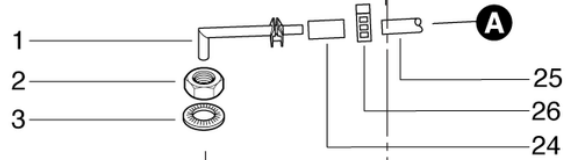
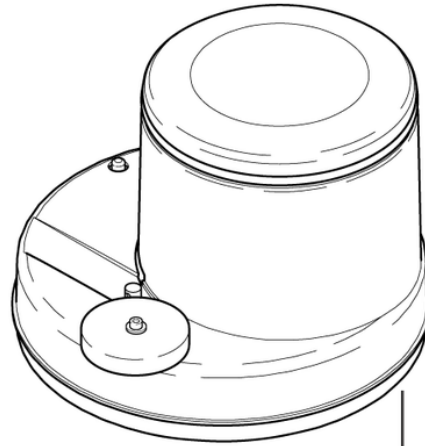
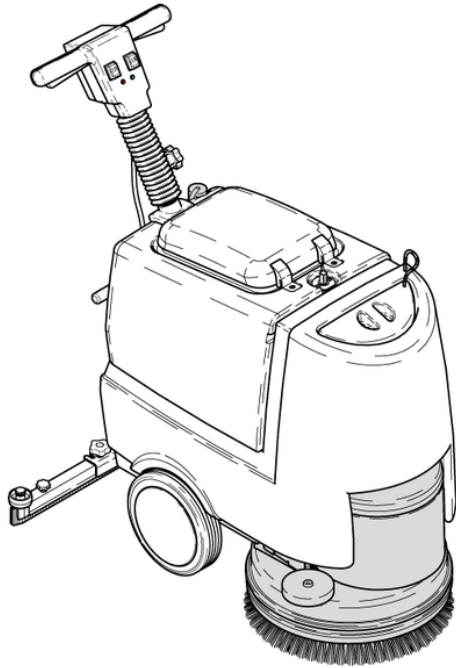
# CLEANFIX RA 431 IBC

## Drive and water distribution

PDF created on: 10.11.2023 19:29



RA 431 B/IBC



<b>Pos.</b>	<b>Item no.</b>	<b>Spare part</b>
1	432.166	Lye pipe
2	P492R	Nut DIN 934 M20 x 1.5 A2
3	P498Q	Shim NFE 25511 M20 20,5/40/4,9
4	436.126	Belt with Pre Mounts
5	726.130	Belt pulley CL
6	432.507	Bearing
7	P964A	Ring DIN 3771 55,25/2,62 EPDM
8	432.502A	Drive plate RA 431 stainless
9	P497T	Shim DIN 9021 M8 8,4/24/2 A2
10	742.125	Main Axle
11	P513D	Ring DIN 471 25/1,2
12	430.136	Distance shim 46 x 99 x 1
13	742.141	Pad Hub
14	P344	Shaft sealing ring 25x40x3 EPDM/V2A
15	P964B	Ring DIN 3771 42,52/2,62 EPDM
16	430.157	Pad Driver Hub
17	742.129	Distance ring $\varnothing$ 8 / 6 x 4
18	P487S	Screw DIN 912 M6 x 20 A2
19	726.301	Pulley
20	720.125	Groove Nut
21	720.128A	Support 82 x 20mm inoxydable
22	P513J	Pin DIN 913 M6 x 30 A2
23	436.127	Federation Tap
24	530.467	Reduction Hose
25	436.152	Hose for RA431
26	P550N	Hose clamp 19.8-706R
27	P496P	Washer DIN 125 A M8 8,4/16/1,6 A2
28	P487T	Screw DIN 912 M8 x 45 A2 with schaft
29	720.115	Ribbed belt 15 EPJ 895
30	432.146	Bottom anthracite gray PP
31	P515Z	Screw WN 1452 K50 x 16
32	P488E	Screw DIN 912 M5 x 8 A2

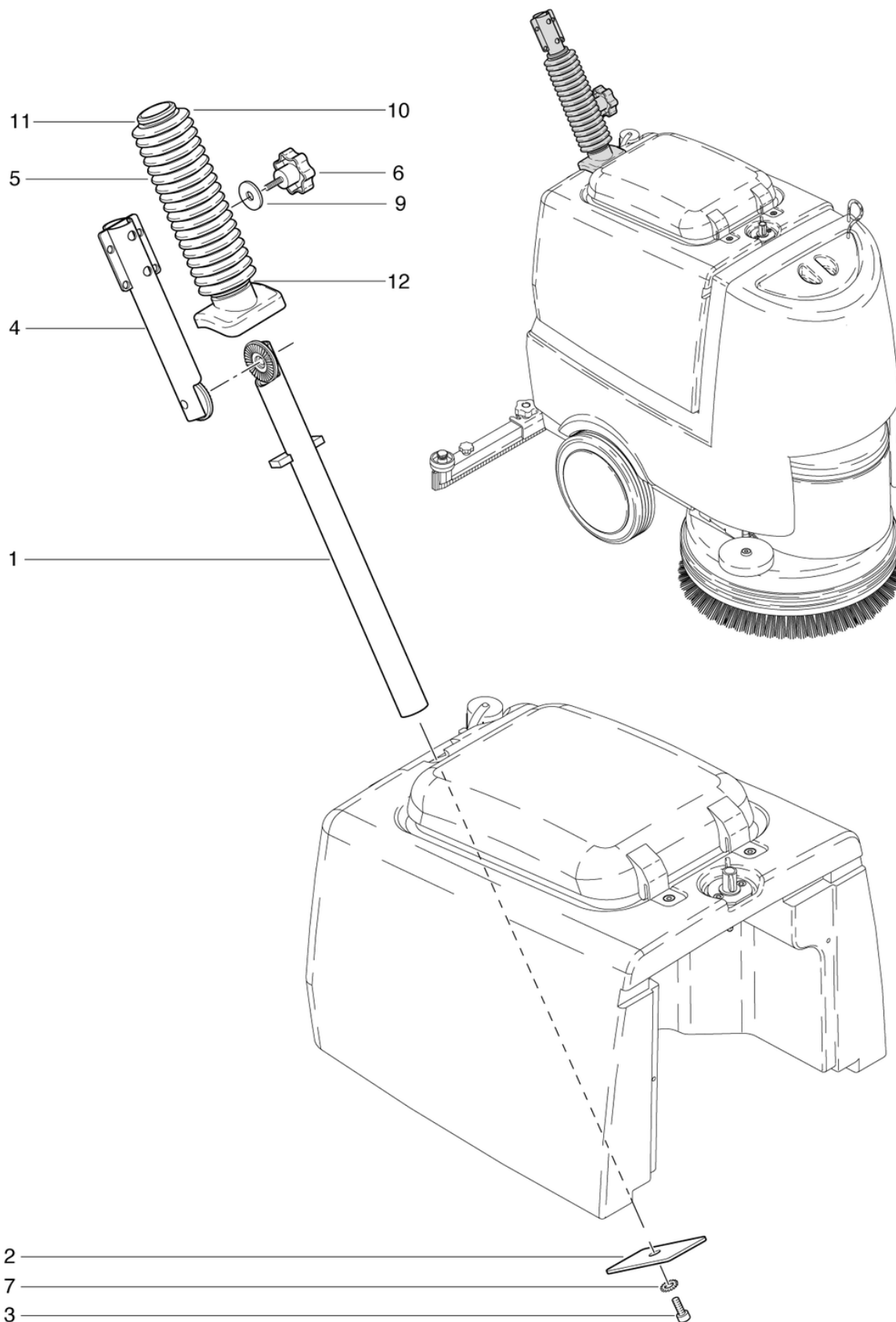
# CLEANFIX RA 431 IBC

## Angled tube

PDF created on: 10.11.2023 19:29



RA 431 B/IBC





<b>Pos.</b>	<b>Item no.</b>	<b>Spare part</b>
1	436.255	Lower Angled Tube
2	436.340A	underlay rustproof
3	P487HA	Screw DIN 912 M10 x 35 A2
4	432.410	Upper Handle Tube Complete
5	432.405	Protection Sleeve
6	P253K	Star grip Ø62 M8 x 30
7	P498F	Shim DIN 6797 A M10 10,5/18/10,9 A2
9	P496P	Washer DIN 125 A M8 8,4/16/1,6 A2
10	P609B	Cable tie weatherproof- 3,5 x 200
11	P609	Cable tie black 4,8 x 178mm
12	P424A	Cable ties natural 3.7 x 368mm

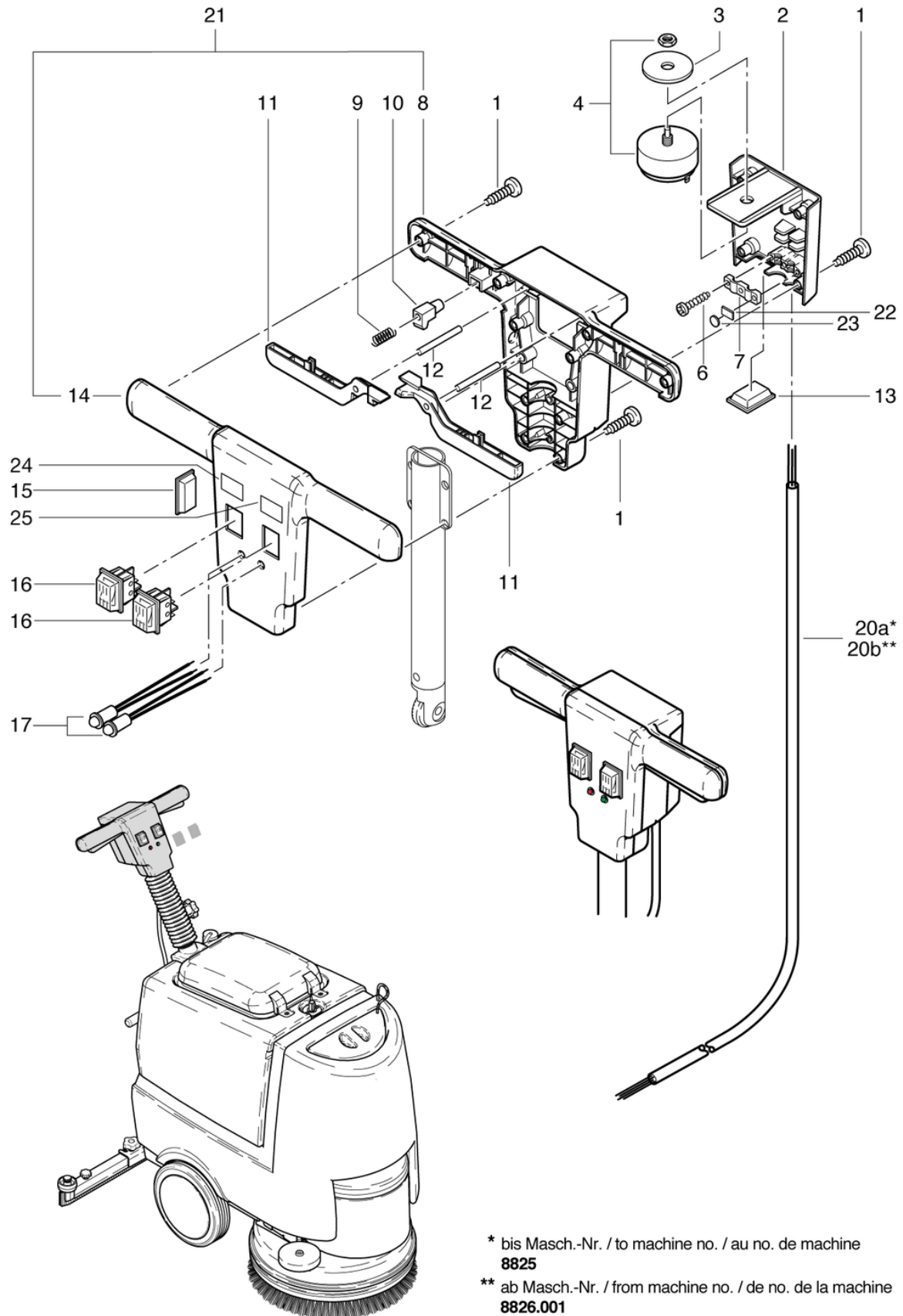
# CLEANFIX RA 431 IBC

## Handle

PDF created on: 10.11.2023 19:29



RA 431 B/IBC



\* bis Masch.-Nr. / to machine no. / au no. de machine  
8825

\*\* ab Masch.-Nr. / from machine no. / de no. de la machine  
8826.001

<b>Pos.</b>	<b>Item no.</b>	<b>Spare part</b>
1	P515L	Screw WN 1452 K50 x 25 A2
2	741.310	Rear Handle Cover
3	P496	Shim DIN 9021 M12 13/37/3
4	6650454	Switch
6	P516Q	Screw WN 1452 K50 x 18
7	742.321	Cable clamp
8	436.324	Handle Rear
9	742.209	Compression spring VD-090L 0.55 / 6 / 29.2
10	742.208	Button grey anthrazite
11	741.204	Switch
12	P512M	Pin ISO 2338 6 x 50 pc vz
13	741.216	Switch Handle
14	470.321A	Front Handle Housing
15	P171O	Cover
16	P241	Rocker switch white 24V
17	P415	Set LED red, green 2.1 V, Ø 5 mm
20a	436.319	Wiring Loom DO NOT USE use 436.318
20b	436.318	Cable Tree
21	436.310	Handle Front & Rear
22	436.154	clamping piece
23	P171Q	Cover cap
24	3003	Labels self-adhesive 3M foil "Suction"
25	383	Sticker 3M foil drops

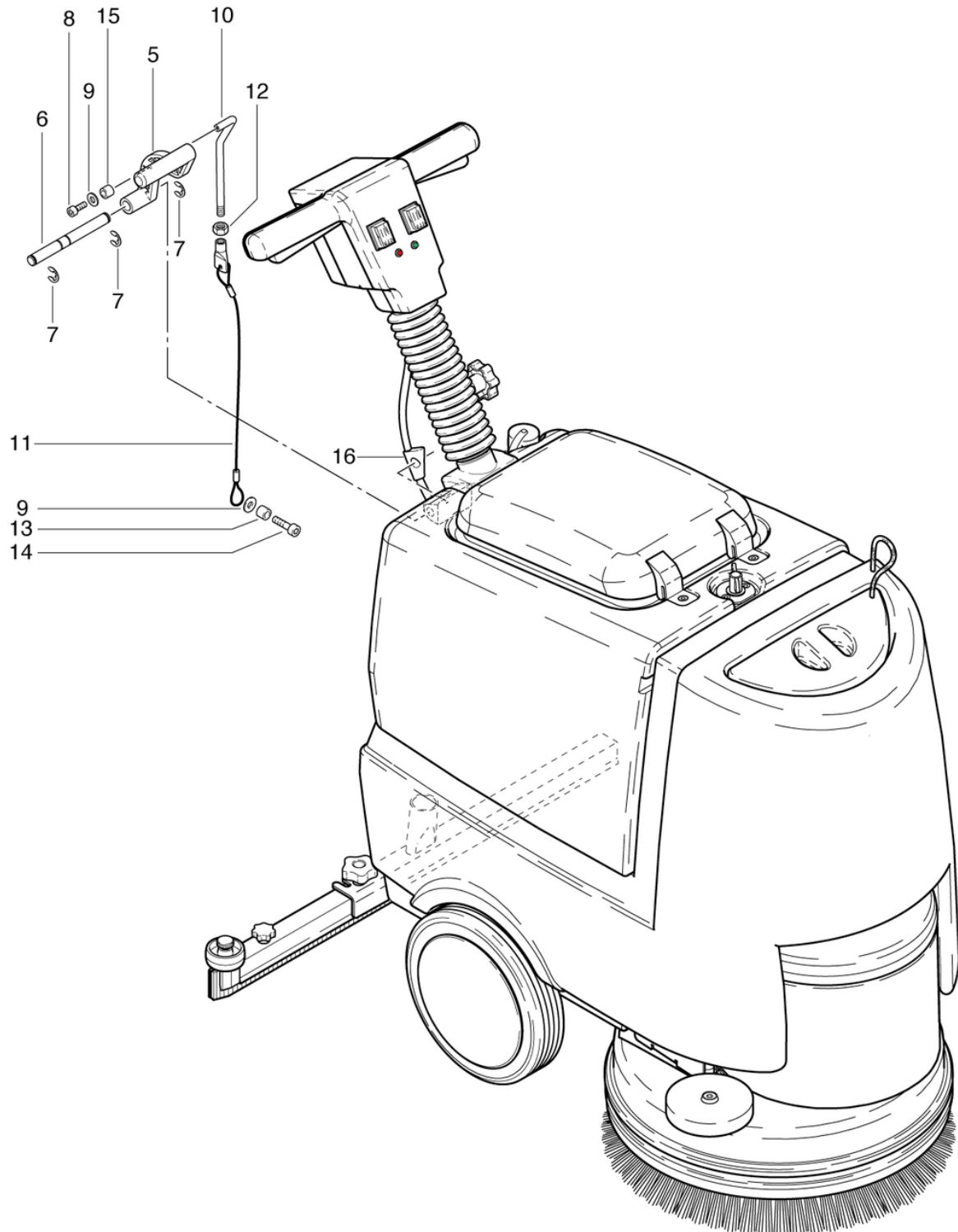
# CLEANFIX RA 431 IBC

## Suction nozzle removal

PDF created on: 10.11.2023 19:29



RA 431 B/IBC



<b>Pos.</b>	<b>Item no.</b>	<b>Spare part</b>
5	432.365	Lever to Suction Nozzle
6	432.361	Axle
7	P499Q	Shim DIN 6799 8/16,3/1
8	P488E	Screw DIN 912 M5 x 8 A2
9	P497E	Shim DIN 9021 M5 5,3/15/1,2 A2
10	432.370	Squeegee Lift
11	436.817	Pull rope RA431B 407mm
12	P491M	Nut DIN 439 M8 St galvanized
13	430.618	Distance ring $\varnothing 7/5 \times 5,5$
14	P472F	Screw DIN 933 M5 x 12 A2
15	P509J	Distance piece BN 5281 8,2/12/5 PA6.6
16	432.362	Cable entry

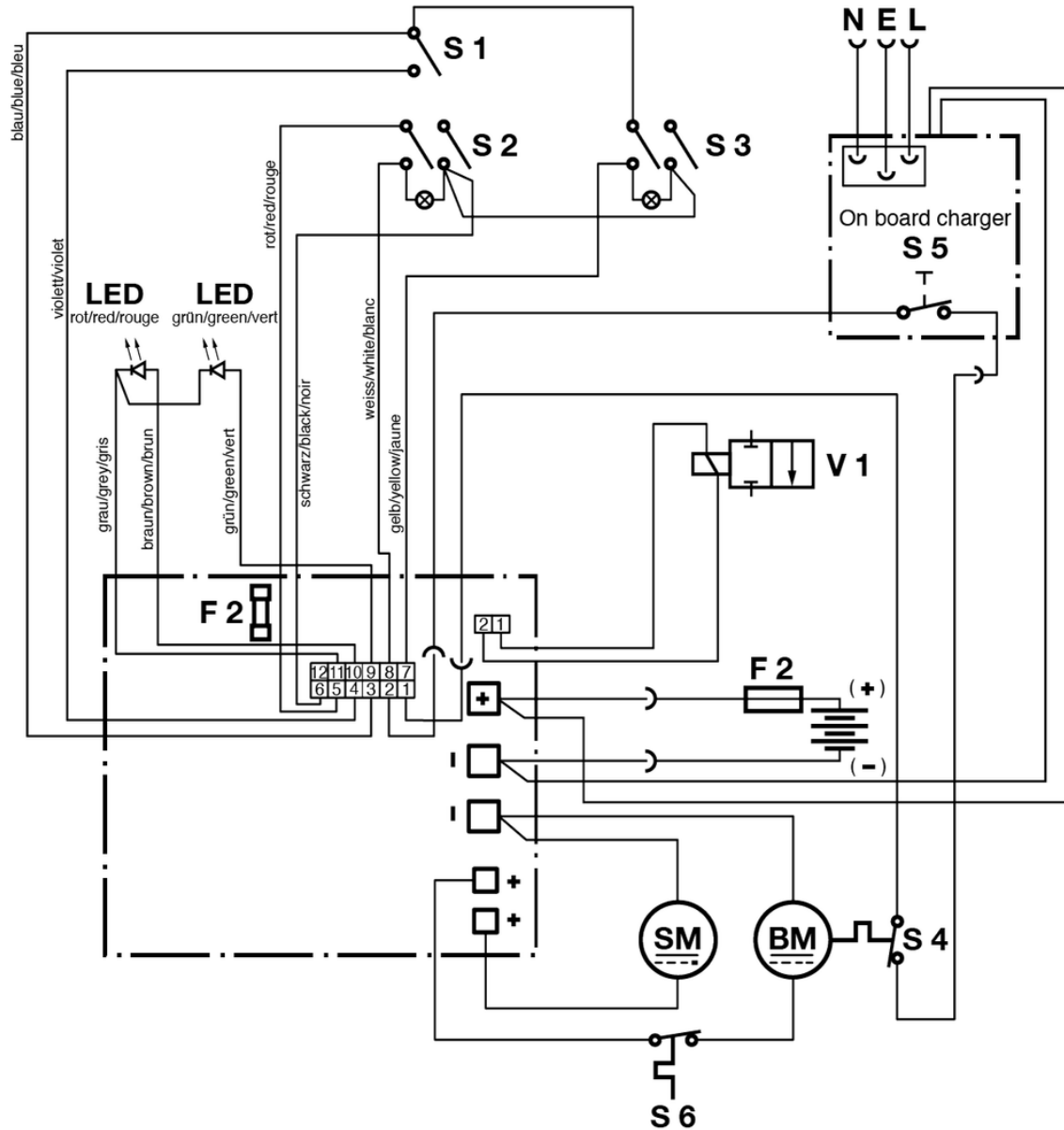
# CLEANFIX RA 431 IBC

## Wiring diagram

PDF created on: 10.11.2023 19:29



RA 431 IBC



- S 1 = Schalter Bürstmotor / Switch for brush motor / Interrupteur pour moteur
- S 2 = Schalter Ventil / Valve - Switch / Interrupteur pour valve
- S 3 = Schalter Saugmotor / Suction motor switch / Interrupteur pour moteur
- S 4 = Motor Temperaturwächter / Motor Temperature switch
- S 5 = Schalter für Fahrsperrung / Switch for driving barrier /  
Commutateur pour amortissement
- S 6 = Motorschutzschalter / Protective switchgear of an engine / Disjoncteur
- BM = Bürstmotor / Motor / Moteur
- SM = Saugmotor / Moteur d'aspiration / Vacuum motor
- V 1 = Ventil / Valve
- F 1 = Sicherung 3.15 A / Fuse 3.15 A / Fusible 3.15 A
- F 2 = Sicherung 75 A / Fuse 75 A / Fusible 75 A