

CLEANFIX KS1100 B HD

Contents

PDF created on: 10.11.2023 19:51



KS 1100 B HD

Buerstenkammer chambre de brosse brush chamber B 12 bis/à/to machine no 9044 B 12.1 ab/à partir de/from machine no 9045	Buerstenantrieb Entraînement de la brosse Brush drive B 11	Sonderzubehör Accessoires spéciaux Special accessories B 16
Saug- u. Filtermodul Aspiration et module de filtre Suction and filter module B 13.1 B13.1a	Elektronik Electronique Electronics B 15	Maschinen Unterteil Élément inférieur de la machine Lower machine component B 5 B 5.1
Hochentleerung Haute décharge High dump B 14	Abdeckung Machine à couvrir Machine cover B 1	Abdeckung Lenkung Couvercle de protection direction Access cover steering B 3 bis/à/to 9049 B 3a ab/à partir de/from 9050
Steuerkasten Bâtier de commande Control box B 2 B 2a	Einzelbuerste, rechts Monobrosse droit Single brush right B 9	Seitenbürstenabhebung Brosse latérale pour soulever Side brush to lift B 4 bis/à/to Masch.Nr. 9049 B 4a ab/à partir de/from 9050
Antrieb und Diverses Drive et Divers Travel drive and divers B 7 B 7.1	Einzelbuerste, links Monobrosse gauche Single brush left B 8	Lenkstock Colonne de direction Steering column assembly B 4.1
Radlagerung, hinten Roulements de roue arrière Wheel bearing behind B 6	Antrieb und Diverses Drive et Divers Travel drive and divers B 7	Bremssystem Système de freinage Brake system B 10
Maschinen Unterteil Élément inférieur de la machine Lower machine component B 5 B 5.1	Stromlaufplan Diagramme électrique Wiring diagram B 17	Sonderzubehör Accessoires spéciaux Special accessories B 16

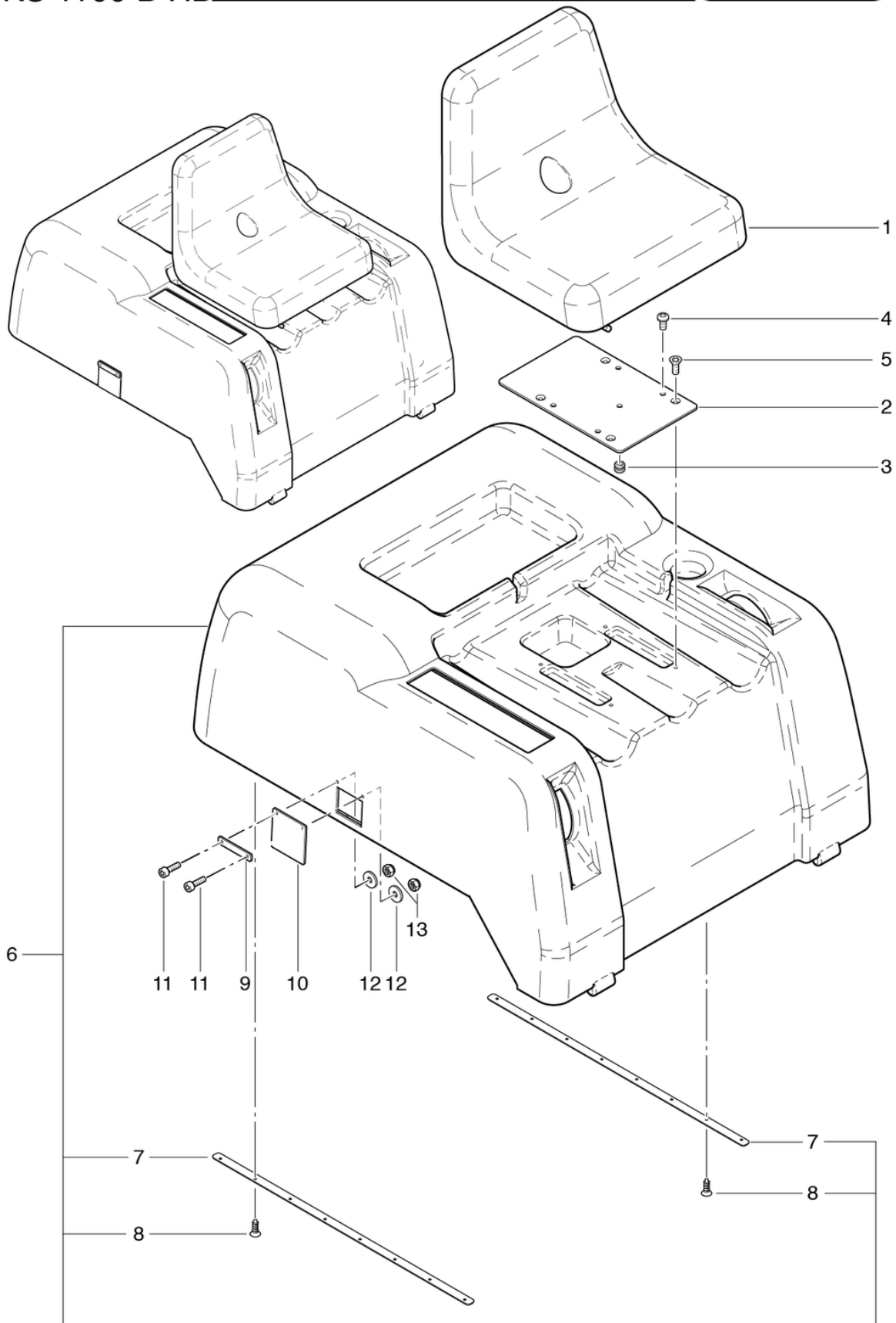
CLEANFIX KS1100 B HD

Machine cover

PDF created on: 10.11.2023 19:51



KS 1100 B HD



Pos.	Item no.	Spare part
1	080.585	Seat including seat switch
2	080.594	Seat pannel
3	080.596	Passe-fil en caoutchouc ø8 / 15 x 11,5
4	P467R	Screw ISO 7380 M8 x 16
5	P480Q	Screw DIN 7991 M8 x 16 A2
6	080.588	Battery cover, incl. Pos. 7+8
7	080.586	Reinforcement Hood
8	P516CA	Screw WN 1423 K40 x 10
9	080.589	rail
10	080.587	Cover flaps
11	P488GA	Screw DIN 912 M5 x 18 A2
12	P497E	Shim DIN 9021 M5 5,3/15/1,2 A2
13	P493G	Nut DIN 985 M5

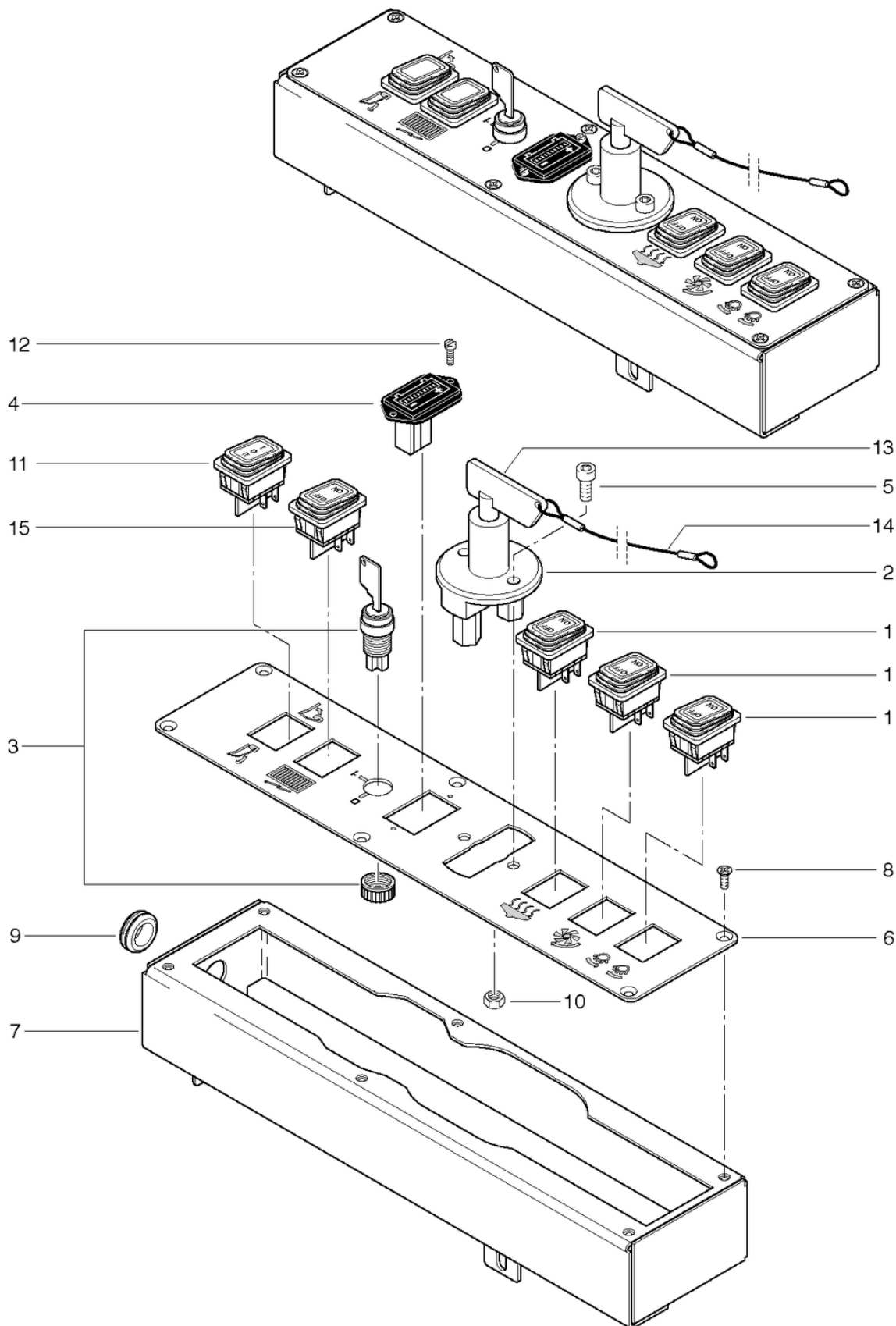
CLEANFIX KS1100 B HD

Control box up to Machine No 9312

PDF created on: 10.11.2023 19:51



KS 1100 B HD



Pos.	Item no.	Spare part
1	P241	Rocker switch white 24V
2	P244D	Disconnecter incl. Key
3	P244A	Key switch
4	800.708	Battery Indicator
5	P488P	Screw DIN 912 M6 x 16 A2
6	080.212	Panel carrier
7	080.213	Console
8	P479A	Screw DIN 965 M4 x 8 A2
9	P207A	Grommet
10	P493K	Nut DIN 985 M6
11	P243A	Device switch 3-pole HE
12	P475B	Screw DIN 85 A M3 x 12
13	710.613	Key for Battery Switch
14	710.612	Wire
15	P238	Pushbutton switch 24V

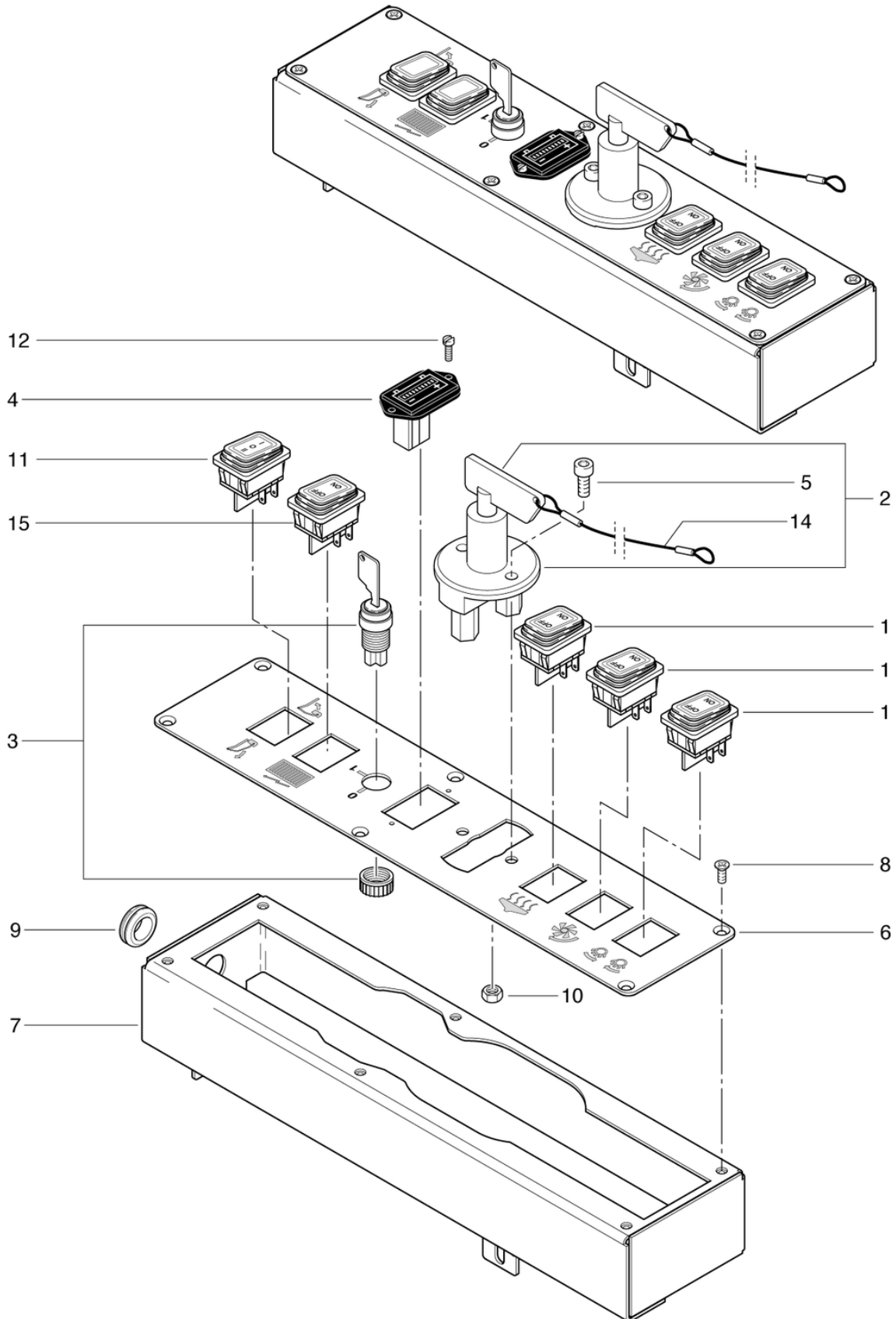
CLEANFIX KS1100 B HD

Control box from Machine No. 9313

PDF created on: 10.11.2023 19:51



KS 1100 B HD



Pos.	Item no.	Spare part
1	P241	Rocker switch white 24V
2	P244D	Disconnecter incl. Key
3	P244C	Key switch
4	800.708	Battery Indicator
5	P488P	Screw DIN 912 M6 x 16 A2
6	080.212	Panel carrier
7	080.213	Console
8	P479A	Screw DIN 965 M4 x 8 A2
9	P207A	Grommet
10	P493K	Nut DIN 985 M6
11	P243A	Device switch 3-pole HE
12	P475B	Screw DIN 85 A M3 x 12
14	710.612	Wire
15	P238	Pushbutton switch 24V

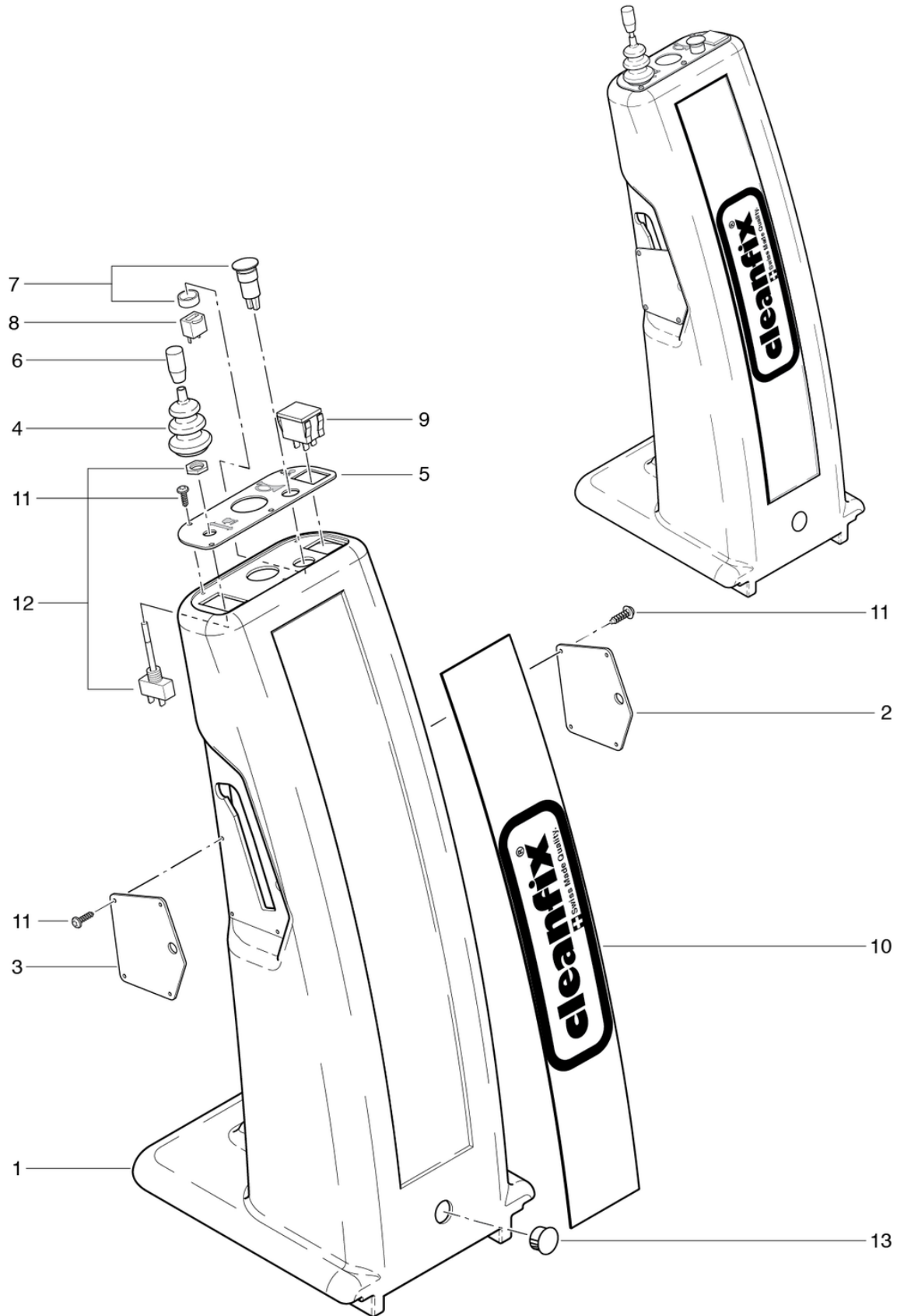
CLEANFIX KS1100 B HD

Access cover steering up to machine no. 9049

PDF created on: 10.11.2023 19:51



KS 1100 B



Pos.	Item no.	Spare part
1	080.613	Cover steering
2	080.562	Cover left
3	080.559	Cover right
4	800.520	Protective Bellows
5	080.616	Control Panel
6	800.521	Cylinder handle ø14 x 28
7	800.527	Sauber Horn Button
8	800.528	Switch element 1-pole
9	P245	Blank piece
10	080.219	Cover sheet
11	P515Q	Screw WN 1452 K30x10 A2
12	800.515	Toggle switch ON-OFF, 1-pole processed
13	P171A	Cover Ø25,5mm

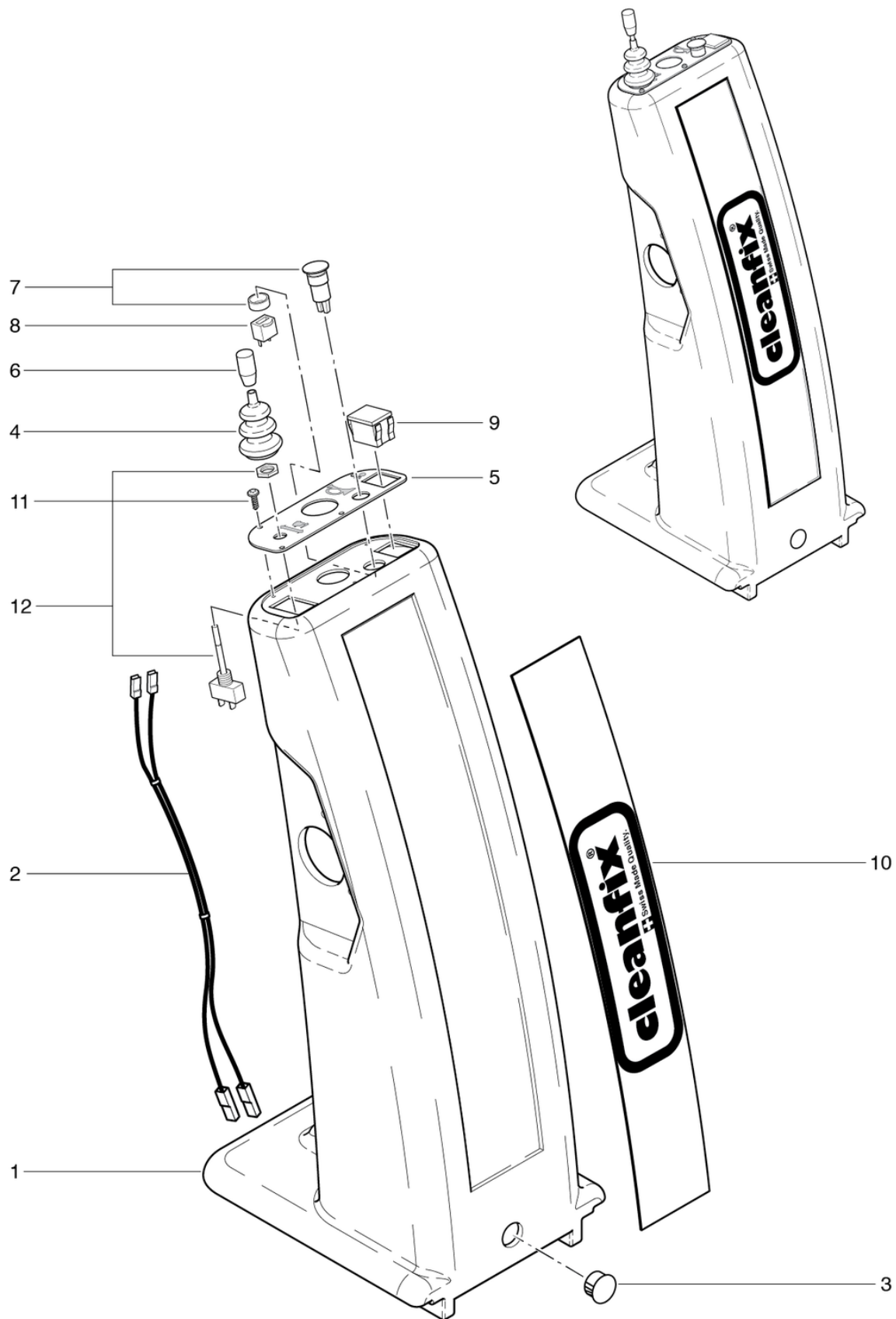
CLEANFIX KS1100 B HD

Access cover steering as from machine no. 9050

PDF created on: 10.11.2023 19:51



KS 1100 B



Pos.	Item no.	Spare part
1	080.613	Cover steering
2	080.729	Cable harness high beam 1mm ²
3	P171A	Cover Ø25,5mm
4	800.520	Protective Bellows
5	080.616	Control Panel
6	800.521	Cylinder handle ø14 x 28
7	800.527	Sauber Horn Button
8	800.528	Switch element 1-pole
9	P245	Blank piece
10	080.219	Cover sheet
11	P515Q	Screw WN 1452 K30x10 A2
12	800.515	Toggle switch ON-OFF, 1-pole processed

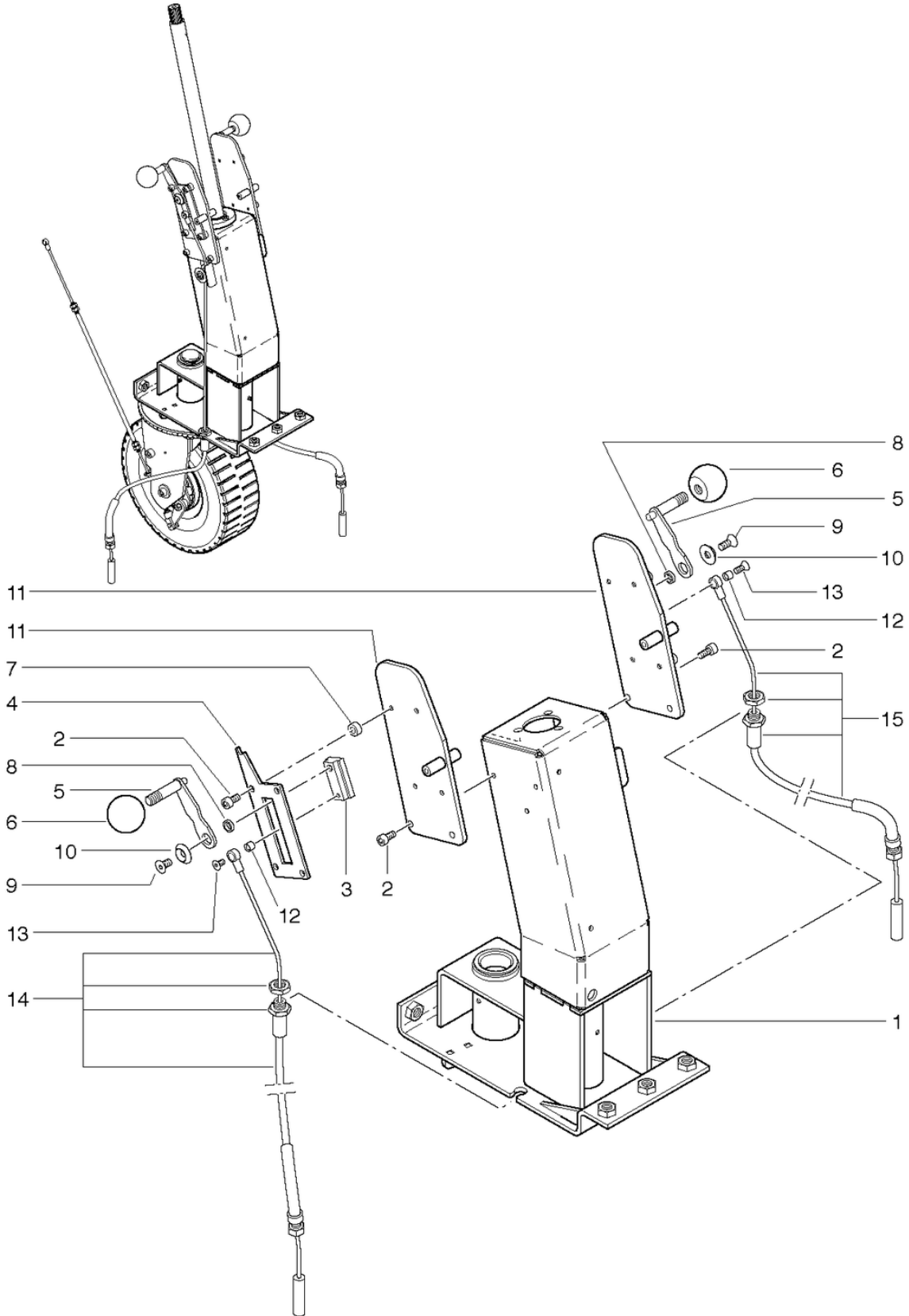
CLEANFIX KS1100 B HD

Side brush to lift up to machine no. 9049

PDF created on: 10.11.2023 19:51



KS 1100 B



Pos.	Item no.	Spare part
1	080.301	Steering attachment
2	P486Q	Screw DIN 912 M6 x 12 A2
3	080.192	Sled
4	080.352	Culisse
5	080.351	Lever
6	P253S	Knob M10 IG
7	080.193	Spacer
8	080.202	Ring \varnothing 11.8 / 8.5 x 4.1
9	P479R	Screw DIN 7991 M8 x 12
10	P500T	Shim SN 213912 M8 25/4,8 A2
11	080.353	Hold sheet
12	080.288	Rifle
13	P480X	Screw DIN 7991 M5 x 10 A2
14	080.211	Bowden cable side brush on the right
15	080.265	Bowden cable side brush on the left

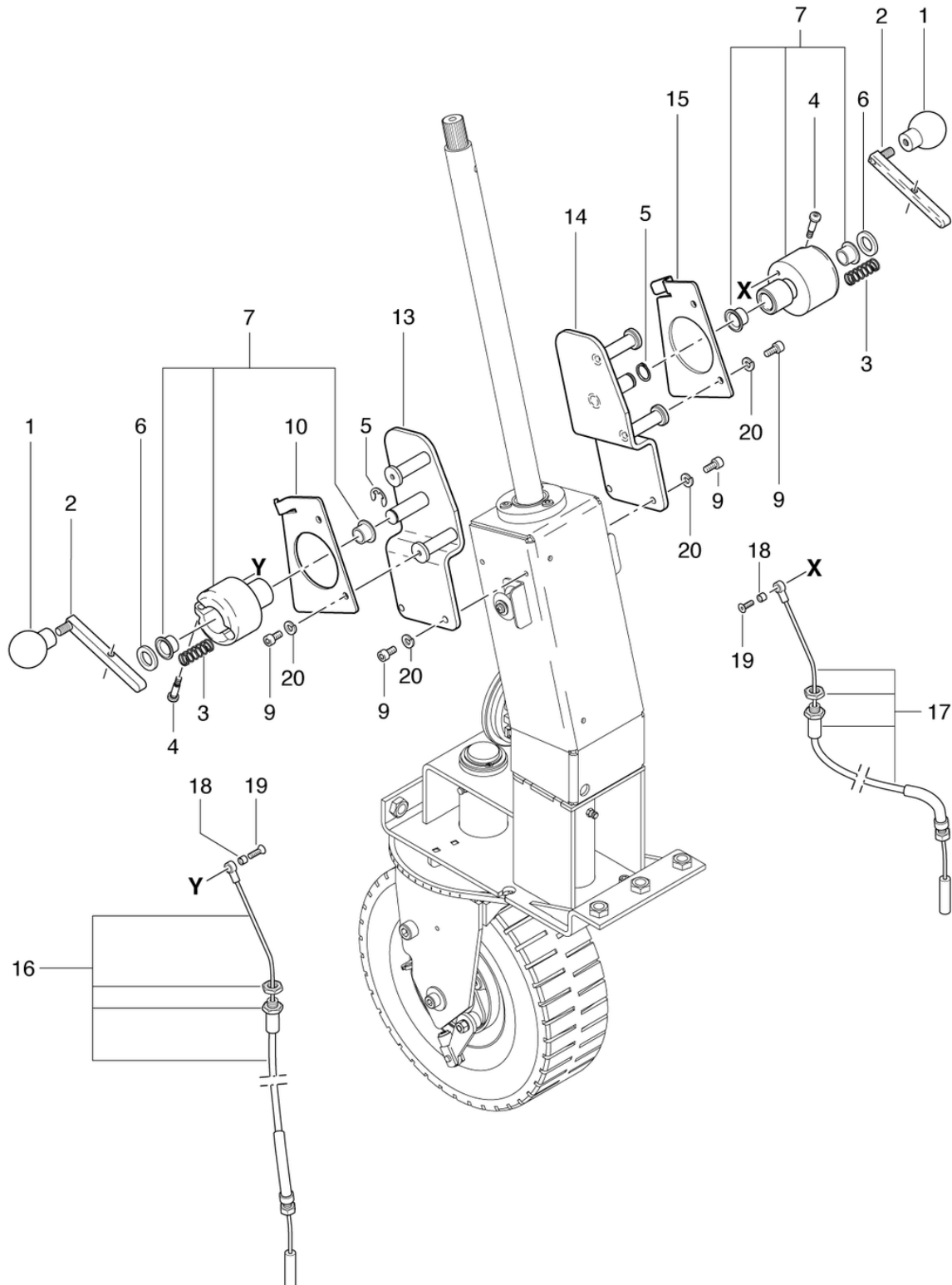
CLEANFIX KS1100 B HD

Side brush to lift as from machine no. 9050

PDF created on: 10.11.2023 19:51



KS 1100 B



Pos.	Item no.	Spare part
1	P173E	Ball Knob
2	080.182	Lever cpl.
3	080.284	Compression spring VD-179L 1,1 / 12 / 34
4	P513RC	Screw ISO 7379 6 x 16 M5
5	P513EB	Ring DIN 471 14/1
6	P496YA	Shim DIN 433 M14 15/24/2,5
7	080.313	Support cpl.
9	P486QA	Screw DIN 912 M6 x 14 A2
10	080.188	Stop Plate Left
13	080.224	Carrier right
14	080.198	Carrier left
16	080.271	Bowden cable side brush on the right
17	080.262	Bowden cable side brush on the left
18	080.288	Rifle
19	P517GA	Screw ISO 14581 M5 x 12
20	P498U	Ring DIN 127 B M6 6,1/11,8/1,6 A2

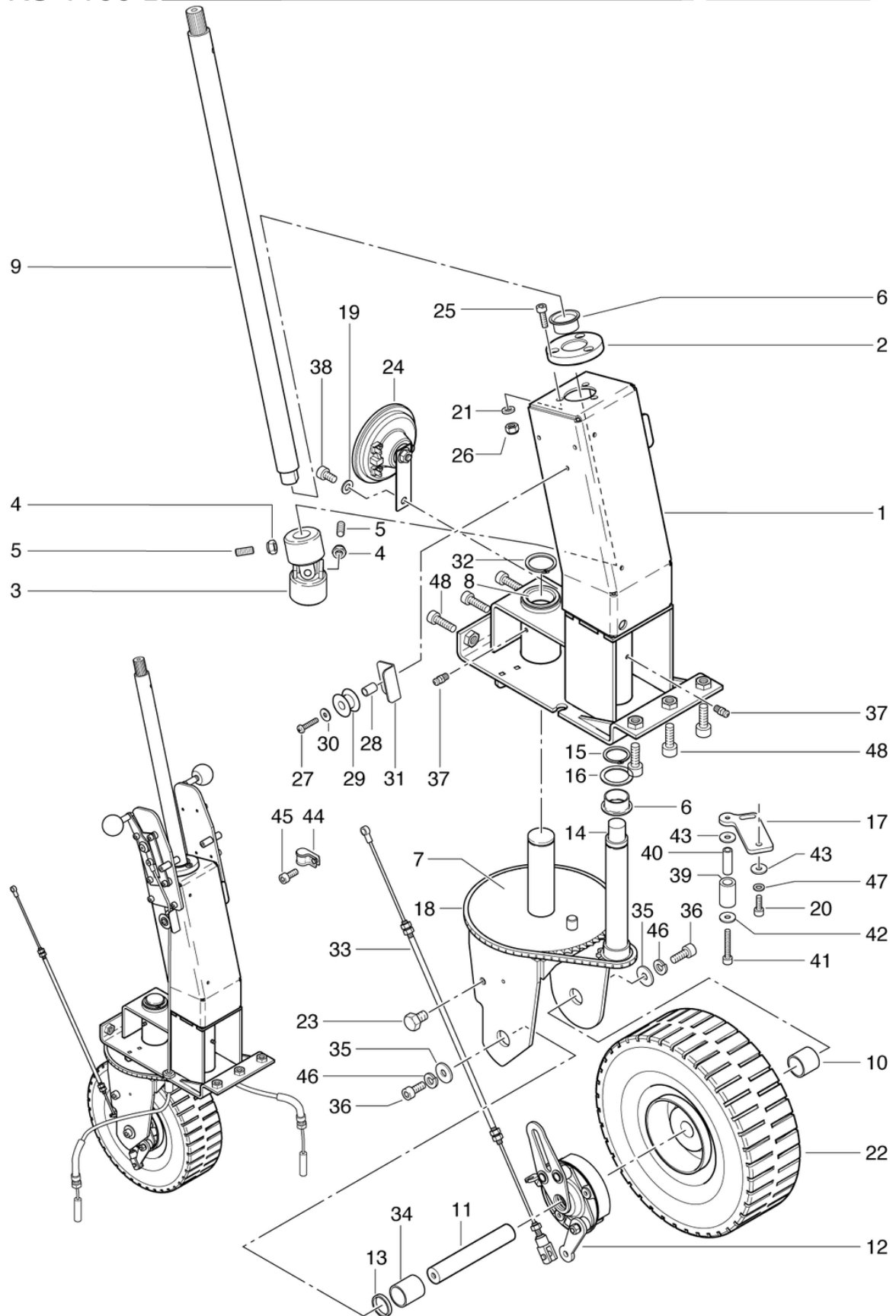
CLEANFIX KS1100 B HD

Steering column assembly

PDF created on: 10.11.2023 19:51



KS 1100 B



Pos.	Item no.	Spare part
1	080.301	Steering attachment
2	080.302	Guiding bar flange
3	800.315	Universal Joint
4	P492H	Nut DIN 985 M8 St galvanized
5	P482XA	Pin DIN 916 M8 x 20 St galvanized
6	P321C	Permaglide flange socket 25/28 / 11.5
7	080.304	Steering unit
8	P321A	Permaglide flange socket 30/34/16
9	080.307	Steering floor
10	080.308	Distance shell
11	080.309	Axle
12	080.310	drum brake
13	080.311	Distance shell
14	080.312	Wave with chain wheel
15	P513D	Ring DIN 471 25/1,2
16	P099	Shim DIN 988 25/35/1
17	080.316	Holter
18	080.320	Chain
19	P499E	Shim DIN 6798 M8 8,4/15/0,8 A2
20	P488B	Screw DIN 912 M5 x 12 A2
21	P497K	Washer DIN 125 A M6 6,4/12/1,6 A2
22	080.321	Front Wheel KS1100
23	P472W	Screw DIN 933 M10 x 16 A2
24	800.535	Horn
25	P486X	Screw DIN 912 M6 x 22
26	P493K	Nut DIN 985 M6
27	P476H	Screw DIN 7985 M5 x 25
28	438.463	Distance ring 10 x 1,5 x 15,3
29	438.464	rope role
30	P496G	Shim DIN 9021 M5 5,3/15/1,2
31	080.358	Electric wire guide
32	P512VB	Lock ring for spindle ø30
33	080.324	Brake Cable KS1100
34	080.306	Distance shell
35	P496Q	Shim DIN 9021 M8 8,4/24/2
36	P487B	Screw DIN 912 M8 x 20
37	800.194	Lubrication fitting straight
38	P488X	Screw DIN 7984 M8 x 12 galvanized
39	080.318	Slide Block
40	800.211	Bearing Sleeve
41	P486Y	Screw DIN 912 M6 x 40 A2 with shaft

Pos.	Item no.	Spare part
42	P496L	Shim DIN 9021 M6 6,4/18/1,6
43	P497H	Washer DIN 9021 M6 6,4/18/1,6 A2
44	P281	Fixing clamp PVC CV-7
45	P488E	Screw DIN 912 M5 x 8 A2
46	P498N	Ring DIN 127 B M8 8,1/14,8/2
47	P498U	Ring DIN 127 B M6 6,1/11,8/1,6 A2
48	P487K	Screw DIN 912 M10 x 25

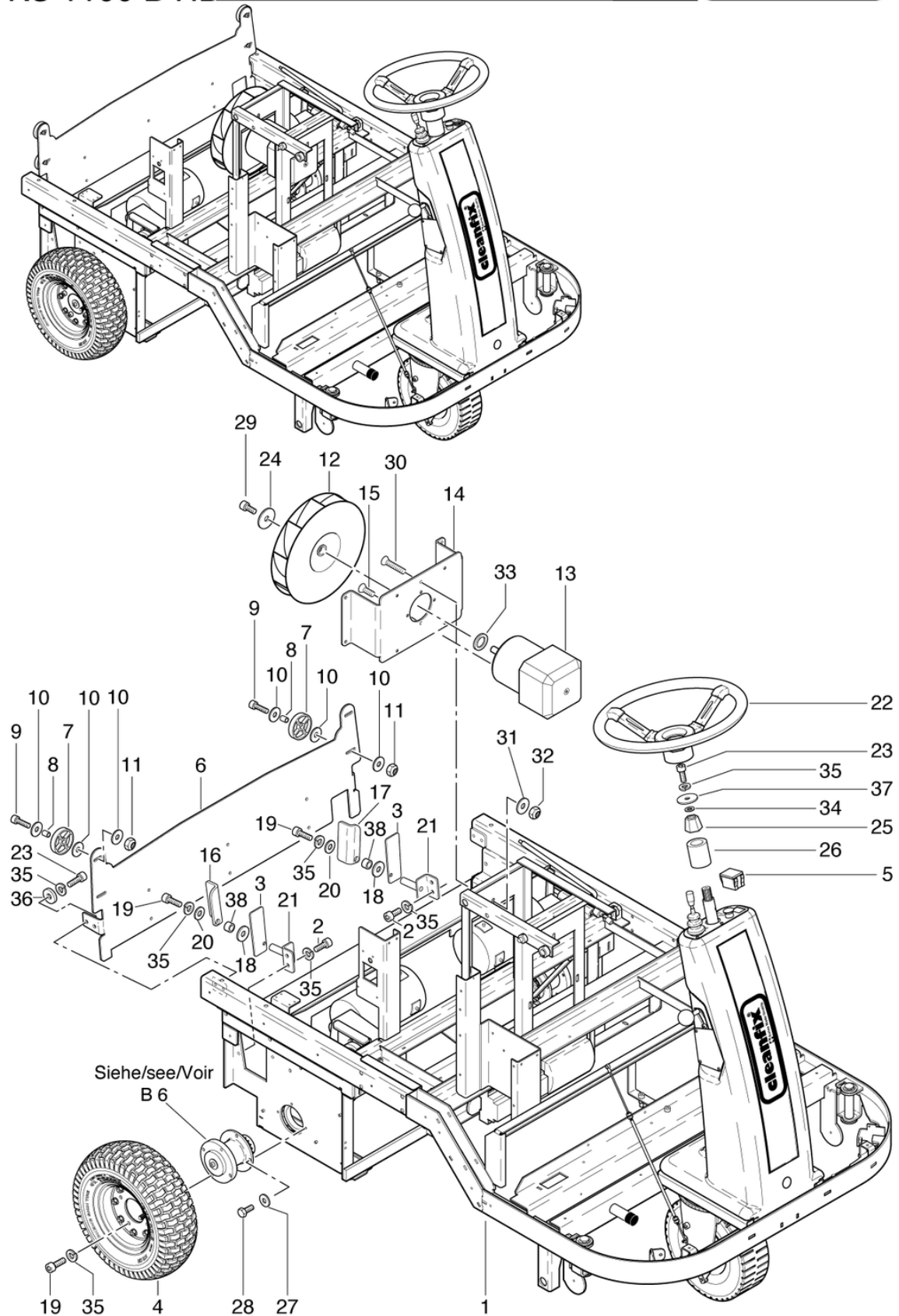
CLEANFIX KS1100 B HD

Lower machine component

PDF created on: 10.11.2023 19:51



KS 1100 B HD



Pos.	Item no.	Spare part
1	080.120	Chassi
2	P487B	Screw DIN 912 M8 x 20
3	080.246	Protection sheet
4	080.281	Rear Wheel
5	P245	Blank piece
6	080.651	Filter module support
7	400.521	Deflector roll 40 x 10
8	400.522	Spacer sleeve 8 / 5.5 x 10.5mm
9	P488K	Screw DIN 912 M5 x 25 A2
10	P497E	Shim DIN 9021 M5 5,3/15/1,2 A2
11	P492G	Nut DIN 985 M5 St galvanized
12	080.251	Fan wheel with hub
13	080.253	Fan Motor
14	080.314	Flange
15	P487U	Screw DIN 7991 M6 x 12
16	080.197	Latch right
17	080.194	Bars left
18	P497T	Shim DIN 9021 M8 8,4/24/2 A2
19	P487D	Screw DIN 912 M8 x 25
20	P496P	Washer DIN 125 A M8 8,4/16/1,6 A2
21	080.248	Holder
22	800.328	Steering Wheel
24	P510L	Washer DIN 522 M6 6,4/25/1,5 A2
25	800.330	Cone
26	080.286	Protection
27	P498U	Ring DIN 127 B M6 6,1/11,8/1,6 A2
28	P472R	Screw DIN 933 M6 x 12 A2
29	P486Q	Screw DIN 912 M6 x 12 A2
30	P480H	Screw DIN 965 M6 x 20 A2
31	P497H	Washer DIN 9021 M6 6,4/18/1,6 A2
32	P493K	Nut DIN 985 M6
33	P496AE	Ring BN 739 14/18/2
35	P498N	Ring DIN 127 B M8 8,1/14,8/2
36	P495Z	Shim DIN 7349 M8 8,4/21/4 A2
37	P496PA	Washer DIN 522 M8 8,4/35/2,5

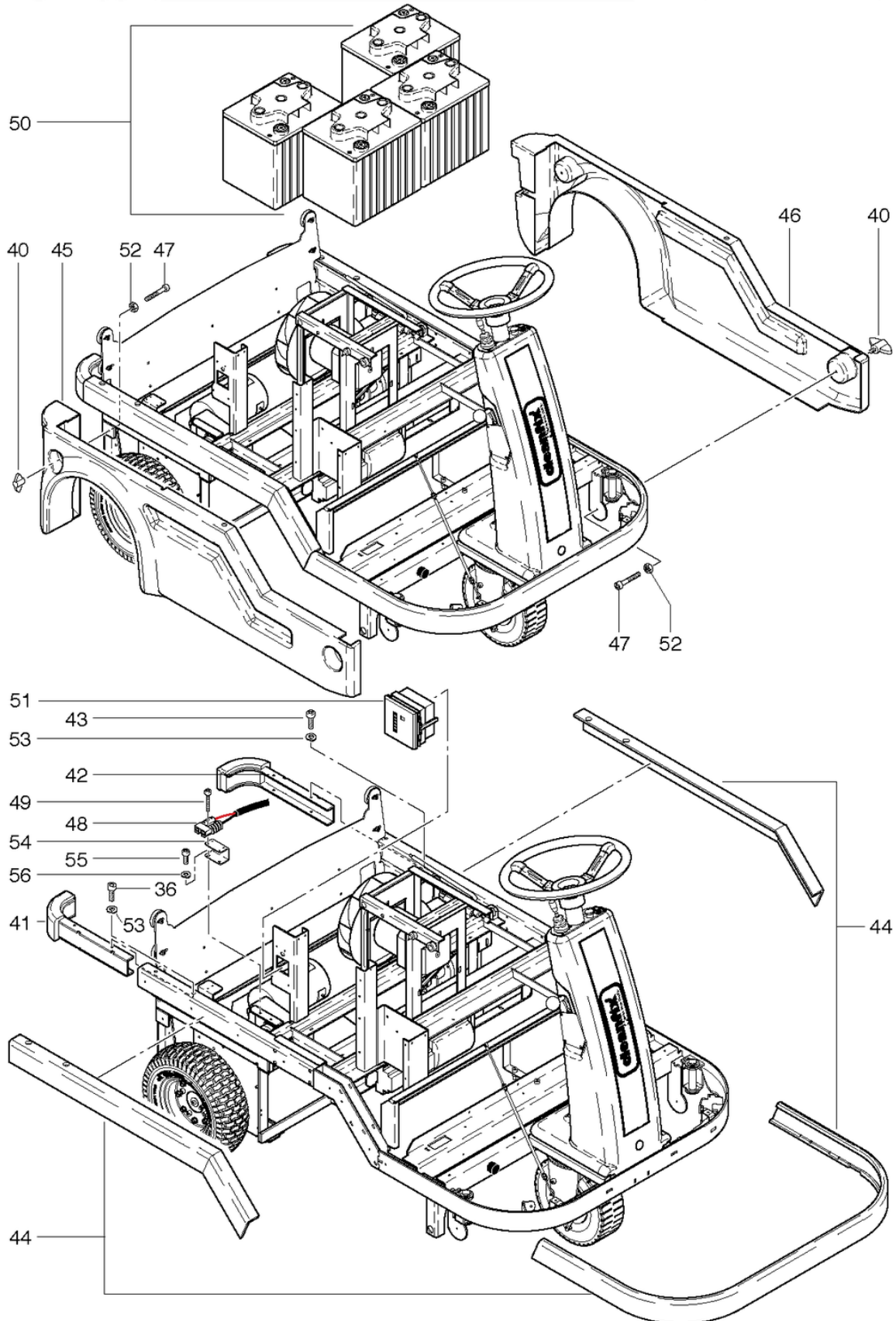
CLEANFIX KS1100 B HD

Lower machine component

PDF created on: 10.11.2023 19:51



KS 1100 B



Pos.	Item no.	Spare part
36	P495Z	Shim DIN 7349 M8 8,4/21/4 A2
40	P253Q	Wing nut M6 IG
41	080.450	R/H Bumper KS1100
42	080.440	Left hand bumper KS1100
43	P489I	Screw DIN 912 M8 x 16 A2
44	080.196	Side protection cpl.
45	080.340	Support a page KS1100 HD R
46	080.342	Support a page KS1100 HD L
47	P488Q	Screw DIN 912 M6 x 25 A2
48	710.657	Female Quick Connector
49	P477H	Screw DIN 84 M4 x 25
50	701.092	4 gel batteries of 6V / 180Ah
51	800.703	Hour Meter
52	P490D	Nut DIN 934 M6
53	P498N	Ring DIN 127 B M8 8,1/14,8/2
54	080.755	Charging plug holder
55	P486QA	Screw DIN 912 M6 x 14 A2
56	P498U	Ring DIN 127 B M6 6,1/11,8/1,6 A2

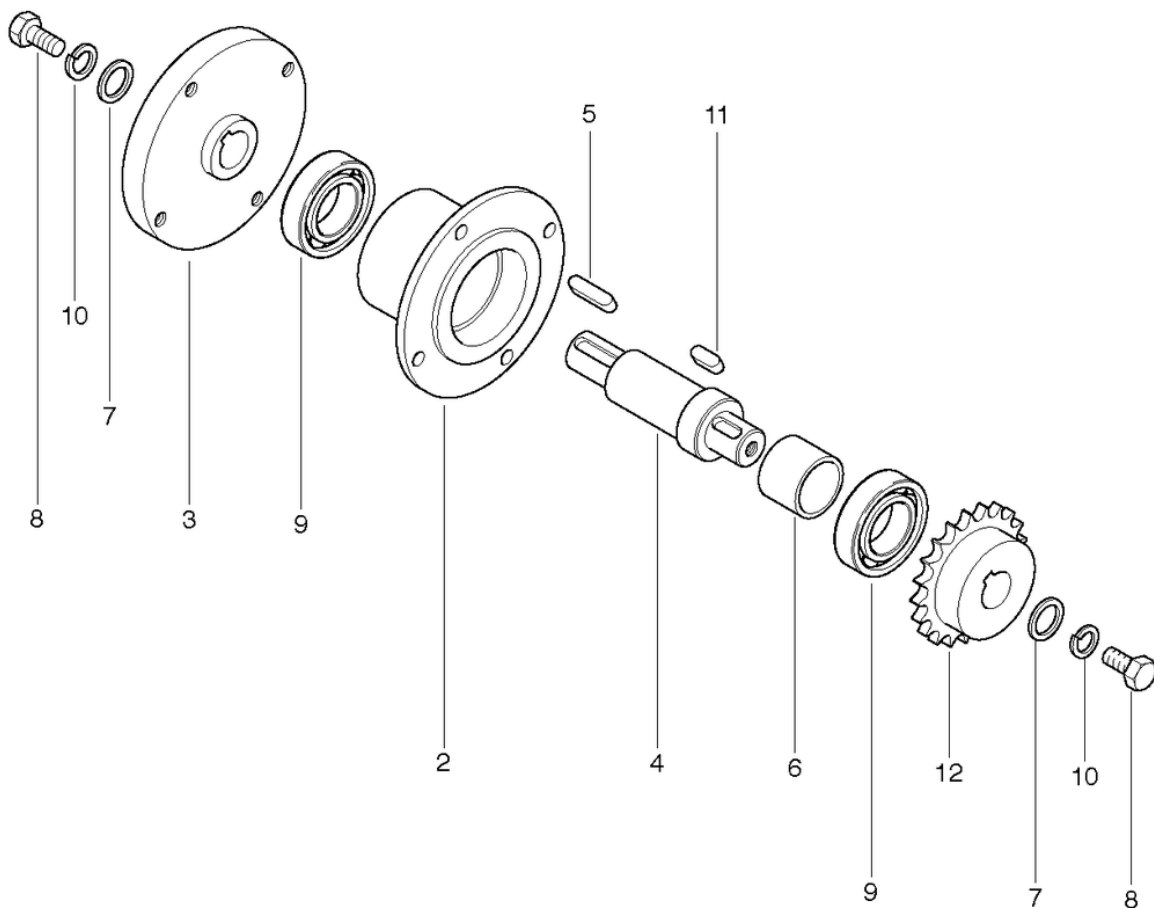
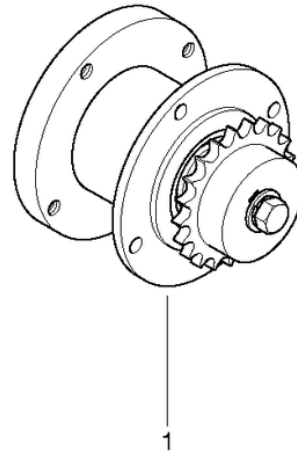
CLEANFIX KS1100 B HD

Wheel bearing behind

PDF created on: 10.11.2023 19:51



KS 1100 B



Pos.	Item no.	Spare part
1	080.160	Rear bearings
2	080.161	Bearing housing
3	080.162	Flange
4	080.164	Shaft H-wheel
5	P474I	Wedge DIN 6885 A 6/6/25
6	080.165	Spacer ring \varnothing 30 / 25.1 x 23
7	P496PA	Washer DIN 522 M8 8,4/35/2,5
8	P472V	Screw DIN 933 M8 x 16 A2
9	P316V	Deep groove ball bearing 6005 2RS \varnothing 47 / 25 x 12
10	P498N	Ring DIN 127 B M8 8,1/14,8/2
11	080.558	Wedge DIN 6885 A 6 / 6 / 16
12	080.173	Chain Wheel KS1100

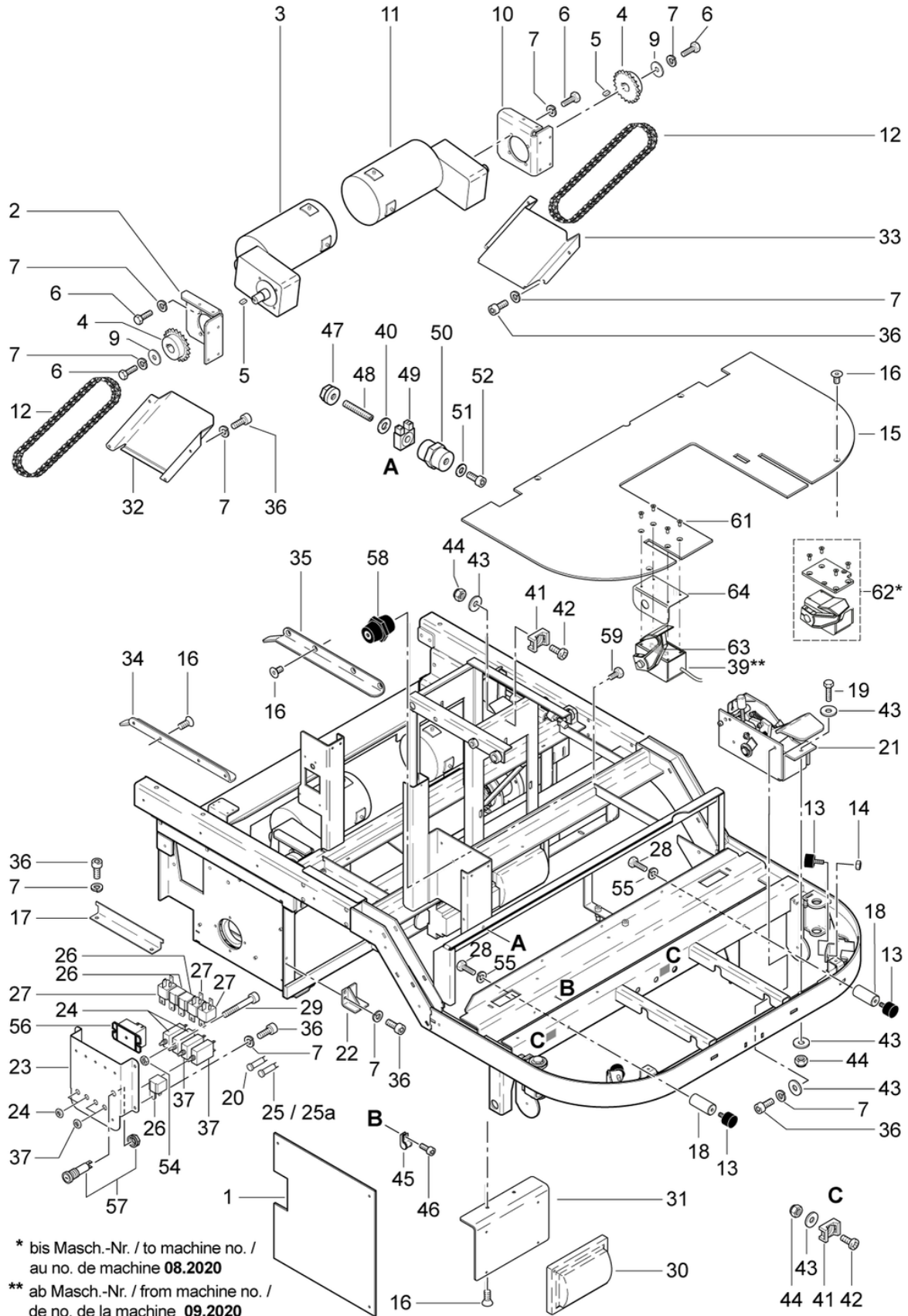
CLEANFIX KS1100 B HD

Travel drive and diversives

PDF created on: 10.11.2023 19:51



KS 1100 B



* bis Masch.-Nr. / to machine no. /
au no. de machine **08.2020**

** ab Masch.-Nr. / from machine no. /
de no. de la machine **09.2020**

Pos.	Item no.	Spare part
1	080.121	Plate
2	080.171	Wheel stock support R
3	080.172	Single drive on the right
4	080.173	Chain Wheel KS1100
5	P474G	Feather DIN 6885 A 6/6/14
6	P472S	Screw DIN 933 M6 x 16 A2
7	P498U	Ring DIN 127 B M6 6,1/11,8/1,6 A2
9	P510L	Washer DIN 522 M6 6,4/25/1,5 A2
10	080.176	Wheel bearing support L
11	080.177	Single drive on the left
12	080.337	Drive Chain
13	910.149	Round buffer M8 x 20, ø30 x 20
14	P491M	Nut DIN 439 M8 St galvanized
15	080.186	Step plate
16	P487U	Screw DIN 7991 M6 x 12
17	080.597	Battery holder
18	080.126	Fence chassis
19	P488Q	Screw DIN 912 M6 x 25 A2
20	P245	Blank piece
21	080.620	Brake Assy Complete
22	080.282	Support
23	080.391	Holder for Motor protection switch
24	470.355	Motor protection switch 25A
25a	P363C	Fuse T 5A, 250V
25	800.704	Fuse link CF8, 125A
26	470.759	Relay Brush Motor
27	500.982	Relay 20amp
28	P472V	Screw DIN 933 M8 x 16 A2
29	P488U	Screw DIN 912 M6 x 45 A2K with shaft
30	080.280	I-drive electronics 140 Amp cpl.
31	080.189	Holding control
32	080.191	Chain protection right
33	080.190	Chain protection left
34	080.227	Guide left
35	080.226	Guide right
36	P486QA	Screw DIN 912 M6 x 14 A2
37	440.234	Motor Protection Switch
39**	800.723	Foot Pedal Assy
40	P500S	Shim DIN 433 M10 10,5/18/1,6 A2
41	125.111	Cable tie holder
42	P489P	Screw DIN 7984 M6 x 10 galvanized

Pos.	Item no.	Spare part
43	P497H	Washer DIN 9021 M6 6,4/18/1,6 A2
44	P493K	Nut DIN 985 M6
45	P571F	PMA Clip NW 12
46	P488E	Screw DIN 912 M5 x 8 A2
47	710.353	Insulating Nut
48	P483	Pin DIN 913 M8 x 40 St galvanisé
50	P366A	Support isolation M 8
51	P499E	Shim DIN 6798 M8 8,4/15/0,8 A2
52	P488X	Screw DIN 7984 M8 x 12 galvanized
54	P490D	Nut DIN 934 M6
55	P498N	Ring DIN 127 B M8 8,1/14,8/2
56	080.396	Changeover relay 24Volt 9A
57	P364	Housing
58	P366	Support isolation M6
59	P472P	Screw DIN 933 M6 x 8 A2
61	P517GA	Screw ISO 14581 M5 x 12
62*	800.722	Spare part KIT Pedal RA500 / 800/900
63	800.003A	Pedal spring
64	800.830	Foot pedal seal

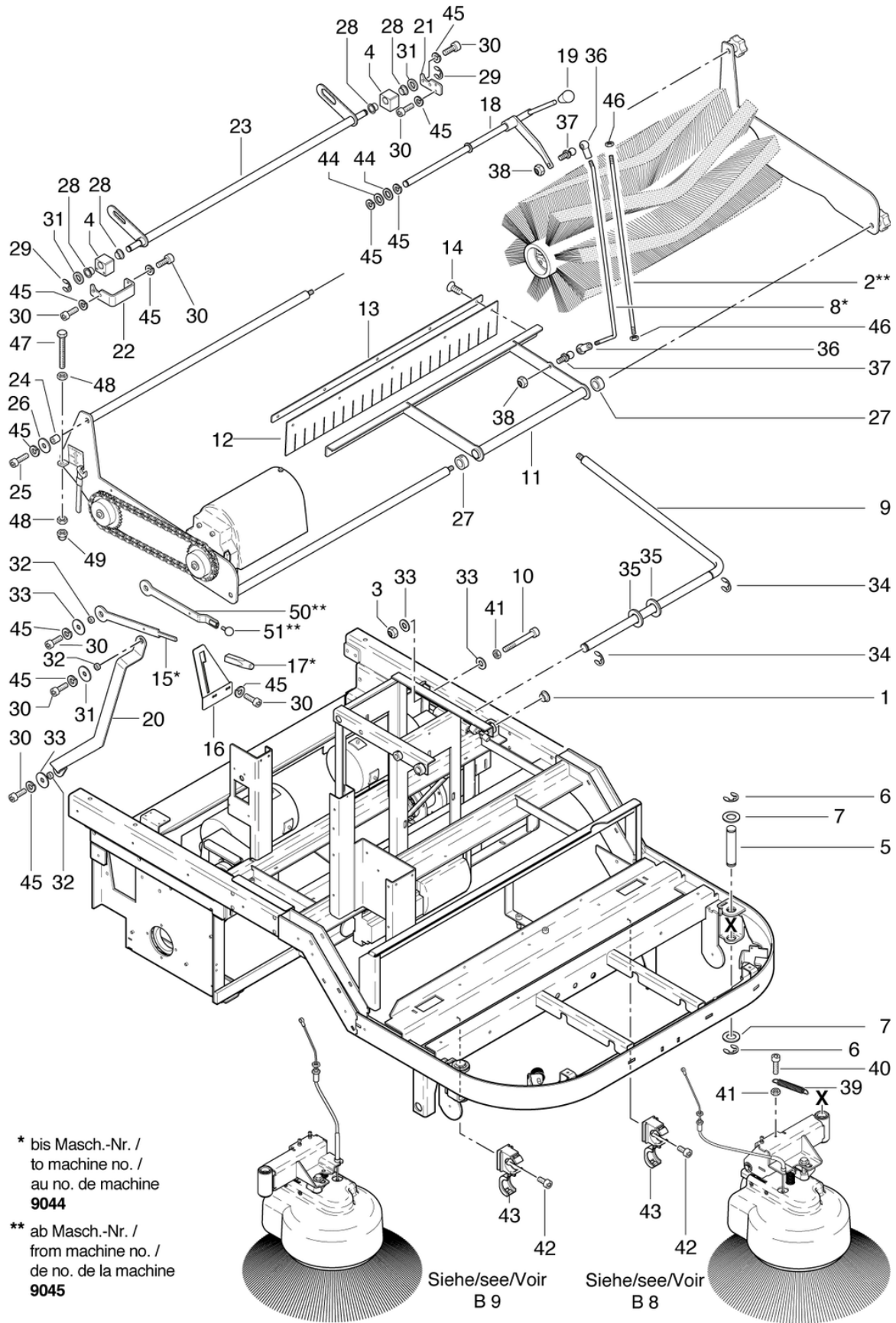
CLEANFIX KS1100 B HD

Travel drive and diverses-1

PDF created on: 10.11.2023 19:51

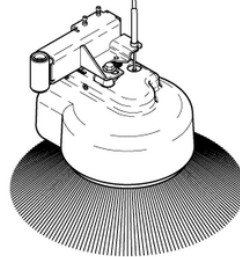


KS 1100 B

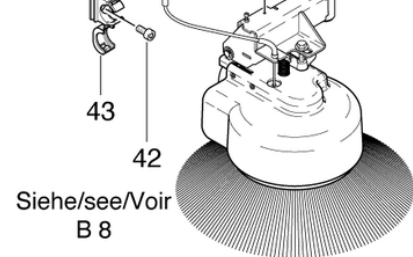


* bis Masch.-Nr. /
to machine no. /
au no. de machine
9044

** ab Masch.-Nr. /
from machine no. /
de no. de la machine
9045



Siehe/see/Voir
B 9



Siehe/see/Voir
B 8

Pos.	Item no.	Spare part
1	P316X	Plain bearing PBG 151709F
2**	080.178	Lift rod
3	P493K	Nut DIN 985 M6
4	080.183	Bearing block
5	080.185	Wave
6	P513HA	Rondelle DIN 6799 15/29,4/1,3
7	430.151	Washer 20 x 32 x 3mm
8*	080.204	Pole take off
9	080.279	Support arm
10	P488M	Screw DIN 912 M6 x 50 A2 with shaft
11	080.274	Cloth holder
12	080.272	Rubber skirt
13	080.273	Rail
14	P479N	Screw DIN 7991 M6 x 14 A2
15*	080.290	Lifting lever
16	080.291	Scenery sheet
17*	P253P	Handle Žý22 to masch. No. 9044
18	080.277	Rod assy
19	P253S	Knob M10 IG
20	080.506	Bracket
21	080.507	Holder Left
22	080.508	Holder right
23	080.512	Connection
24	080.199	Rifle
25	P488Q	Screw DIN 912 M6 x 25 A2
26	P510L	Washer DIN 522 M6 6,4/25/1,5 A2
27	P335	Ring Ø32/20 x 14
28	P321B	Permaglide flange socket 14/16/12
29	P500P	Shim DIN 6799 12/23,4/1,3
30	P486QA	Screw DIN 912 M6 x 14 A2
31	P510J	Shim DIN 125 A M12 13/24/2,5
32	080.203	Storage
33	P497H	Washer DIN 9021 M6 6,4/18/1,6 A2
34	P513P	Shim DIN 6799 7
35	P500S	Shim DIN 433 M10 10,5/18/1,6 A2
36	P512C	Ball cup DIN 71805 A13 M8
37	P512D	Ball pin DIN 71803 C13 M8 SW11
38	P492H	Nut DIN 985 M8 St galvanized
39	080.332	Tension spring RZ-115V-32X 1.5 / 12.0 / 52.13
40	P486P	Screw DIN 912 M6 x 20
41	P490D	Nut DIN 934 M6

Pos.	Item no.	Spare part
42	P488E	Screw DIN 912 M5 x 8 A2
43	P571F	PMA Clip NW 12
44	P496AB	Ring BN 739 16/22/2
45	P498U	Ring DIN 127 B M6 6,1/11,8/1,6 A2
46	P491M	Nut DIN 439 M8 St galvanized
47	P473J	Screw DIN 933 M8 x 80 A2
48	P490E	Nut DIN 934 M8
49	P495O	Nut DIN 1587 M8 St galvanized
50**	080.298	Lever Roller Brush
51**	P253T	Handle Ø37 - M8

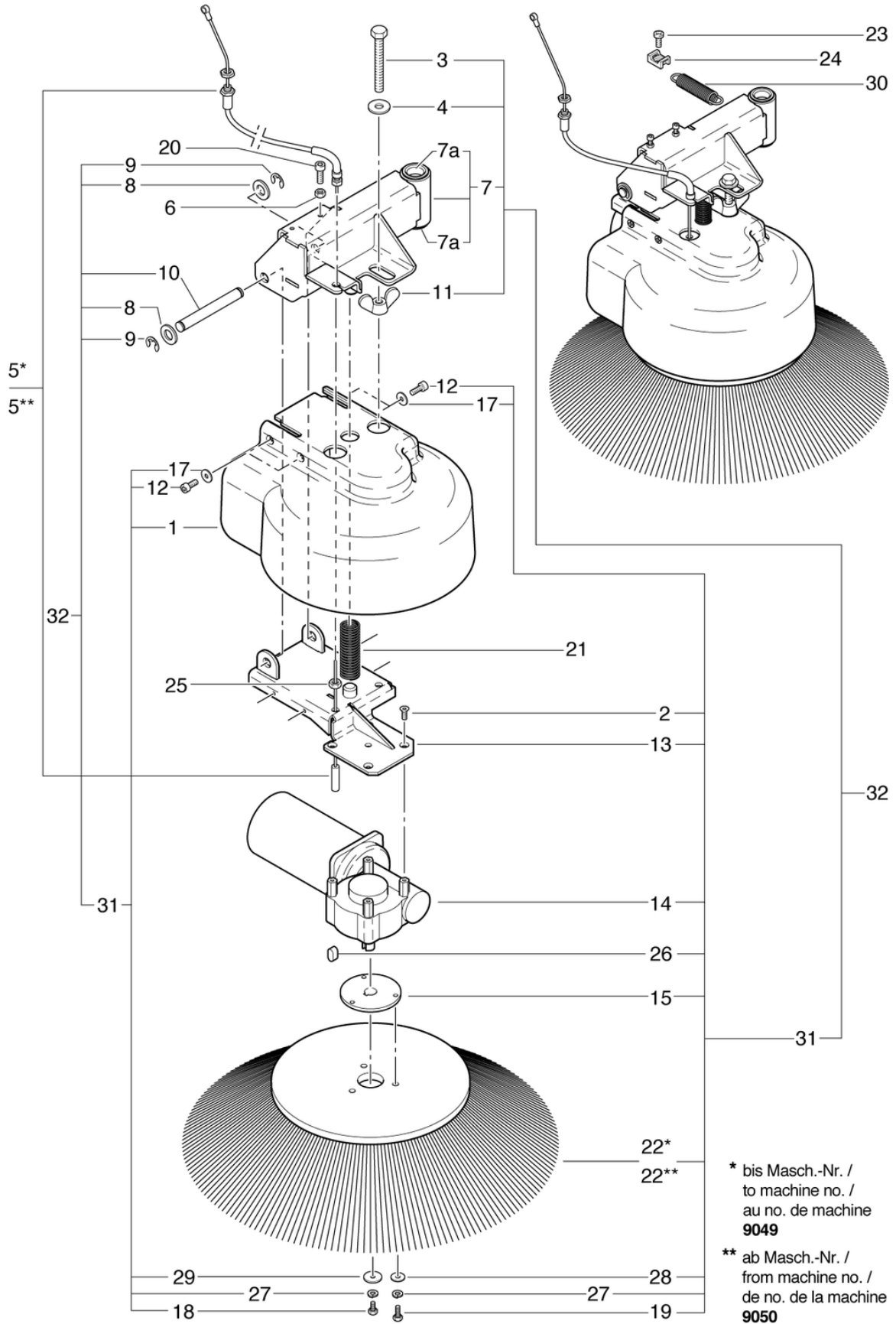
CLEANFIX KS1100 B HD

Single brush left

PDF created on: 10.11.2023 19:51



KS 1100 B



* bis Masch.-Nr. /
to machine no. /
au no. de machine
9049

** ab Masch.-Nr. /
from machine no. /
de no. de la machine
9050

Pos.	Item no.	Spare part
1	080.365	Protection Cap
2	P517GA	Screw ISO 14581 M5 x 12
3	P471Y	Screw DIN 933 M10 x 80
4	P496S	Washer DIN 9021 M10 10,5/30/2,5 A2
5**	080.262	Bowden cable side brush on the left
5*	080.265	Bowden cable side brush on the left
6	P490D	Nut DIN 934 M6
7a	080.385	Permaglide flange bushing 20 / 23 / 11.5
7	080.372	Bras pivotant à gauche
8	P510J	Shim DIN 125 A M12 13/24/2,5
9	P500L	Shim DIN 6799 9/18,8/1,1 A2
10	080.370	Small wave
11	P494IB	Nut DIN 315 M10 TPG
12	P488B	Screw DIN 912 M5 x 12 A2
13	080.360	Motor Holder
14	080.335	Brush Motor
15	080.350	Plate
17	P497E	Shim DIN 9021 M5 5,3/15/1,2 A2
18	P472S	Screw DIN 933 M6 x 16 A2
19	P472T	Screw DIN 933 M6 x 20 A2
20	P486QA	Screw DIN 912 M6 x 14 A2
21	080.276	Compression spring D-232L-02 1,8 / 20 / 69
22**	080.059	Side brush standard, Ø 47.5cm
22*	080.336	Side brush ø 400
24	125.111	Cable tie holder
25	P491N	Nut DIN 934 M10 St galvanized
26	P474C	feather key Form A5 x 5 x 10 st. C 45 K
27	P498U	Ring DIN 127 B M6 6,1/11,8/1,6 A2
28	P497H	Washer DIN 9021 M6 6,4/18/1,6 A2
29	P510L	Washer DIN 522 M6 6,4/25/1,5 A2
30	080.332	Tension spring RZ-115V-32X 1.5 / 12.0 / 52.13
31	080.331	Side brush cpl.
32	080.330	Single brush left

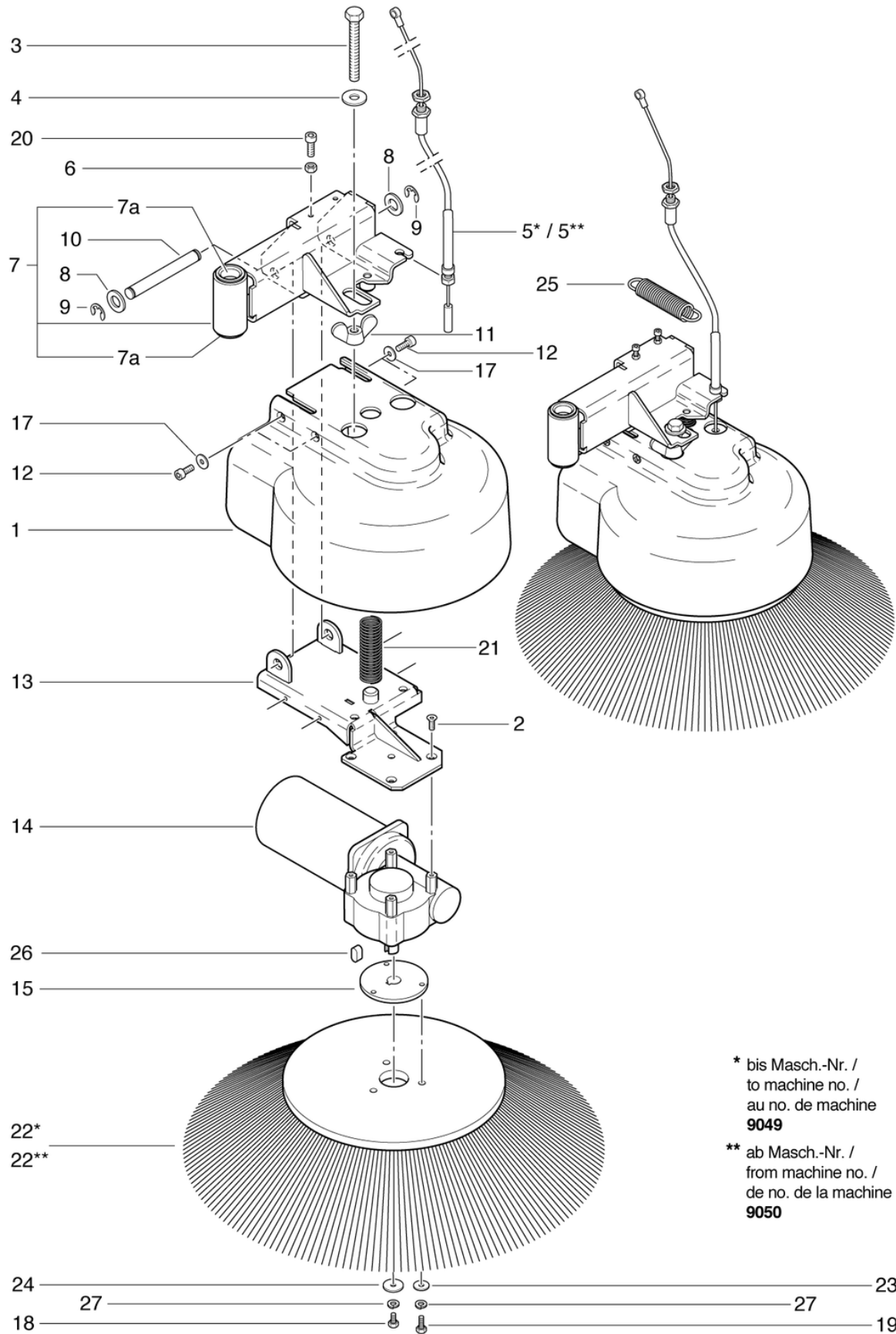
CLEANFIX KS1100 B HD

Single brush right

PDF created on: 10.11.2023 19:51



KS 1100 B



* bis Masch.-Nr. /
to machine no. /
au no. de machine
9049

** ab Masch.-Nr. /
from machine no. /
de no. de la machine
9050

Pos.	Item no.	Spare part
1	080.365	Protection Cap
2	P517GA	Screw ISO 14581 M5 x 12
3	P471Y	Screw DIN 933 M10 x 80
4	P496S	Washer DIN 9021 M10 10,5/30/2,5 A2
5**	080.271	Bowden cable side brush on the right
5*	080.211	Bowden cable side brush on the right
6	P490D	Nut DIN 934 M6
7a	080.385	Permaglide flange bushing 20 / 23 / 11.5
7	080.472	Right swing arm
8	P510J	Shim DIN 125 A M12 13/24/2,5
9	P500L	Shim DIN 6799 9/18,8/1,1 A2
10	080.370	Small wave
11	P494IB	Nut DIN 315 M10 TPG
12	P488B	Screw DIN 912 M5 x 12 A2
13	080.360	Motor Holder
14	080.335	Brush Motor
15	080.350	Plate
17	P497E	Shim DIN 9021 M5 5,3/15/1,2 A2
18	P472S	Screw DIN 933 M6 x 16 A2
19	P472T	Screw DIN 933 M6 x 20 A2
20	P486P	Screw DIN 912 M6 x 20
21	080.276	Compression spring D-232L-02 1,8 / 20 / 69
22**	080.059	Side brush standard, Ø 47.5cm
22*	080.336	Side brush ø 400
23	P497H	Washer DIN 9021 M6 6,4/18/1,6 A2
24	P510L	Washer DIN 522 M6 6,4/25/1,5 A2
25	080.332	Tension spring RZ-115V-32X 1.5 / 12.0 / 52.13
26	P474C	feather key Form A5 x 5 x 10 st. C 45 K
27	P498U	Ring DIN 127 B M6 6,1/11,8/1,6 A2

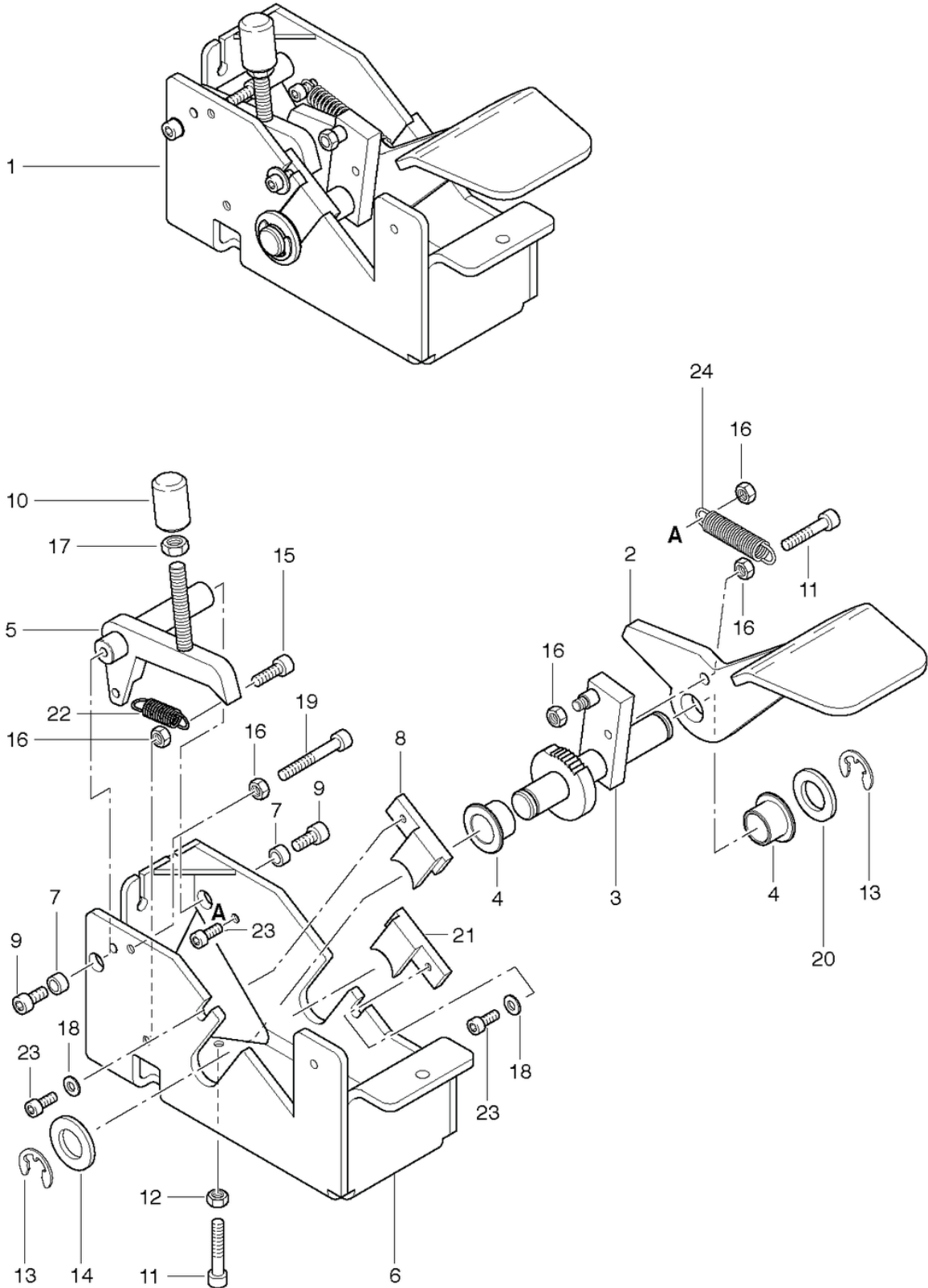
CLEANFIX KS1100 B HD

Brake system

PDF created on: 10.11.2023 19:51



KS 1100 B



Pos.	Item no.	Spare part
1	080.620	Brake Assy Complete
2	080.644	Foot brake lever
3	080.621	Pusher Dog
4	800.231	Apron
5	080.631	Lever
6	080.640	Kit re Pedal
7	080.641	Distance ring $\varnothing 10 / 6.5 \times 5.5$
8	800.241	Swing cone
9	P486QA	Screw DIN 912 M6 x 14 A2
10	080.643	Tap
11	P488S	Screw DIN 912 M6 x 30 A2
12	P490D	Nut DIN 934 M6
13	P500P	Shim DIN 6799 12/23,4/1,3
14	P510N	Shim DIN 125 A M16 17/30/3
15	P488P	Screw DIN 912 M6 x 16 A2
17	P490E	Nut DIN 934 M8
18	P496H	Shim DIN 125 A M5 5,3/10/1
19	P488U	Screw DIN 912 M6 x 45 A2K with shaft
20	P500R	Shim DIN 433 M16 17/28/2,5
21	800.242	Adherence
22	080.647	Tension spring RZ-115NI 1.4 / 10.0 / 23.1
23	P488B	Screw DIN 912 M5 x 12 A2
24	080.642	Tension spring RZ-126I 1.6 / 11.6 / 40.8

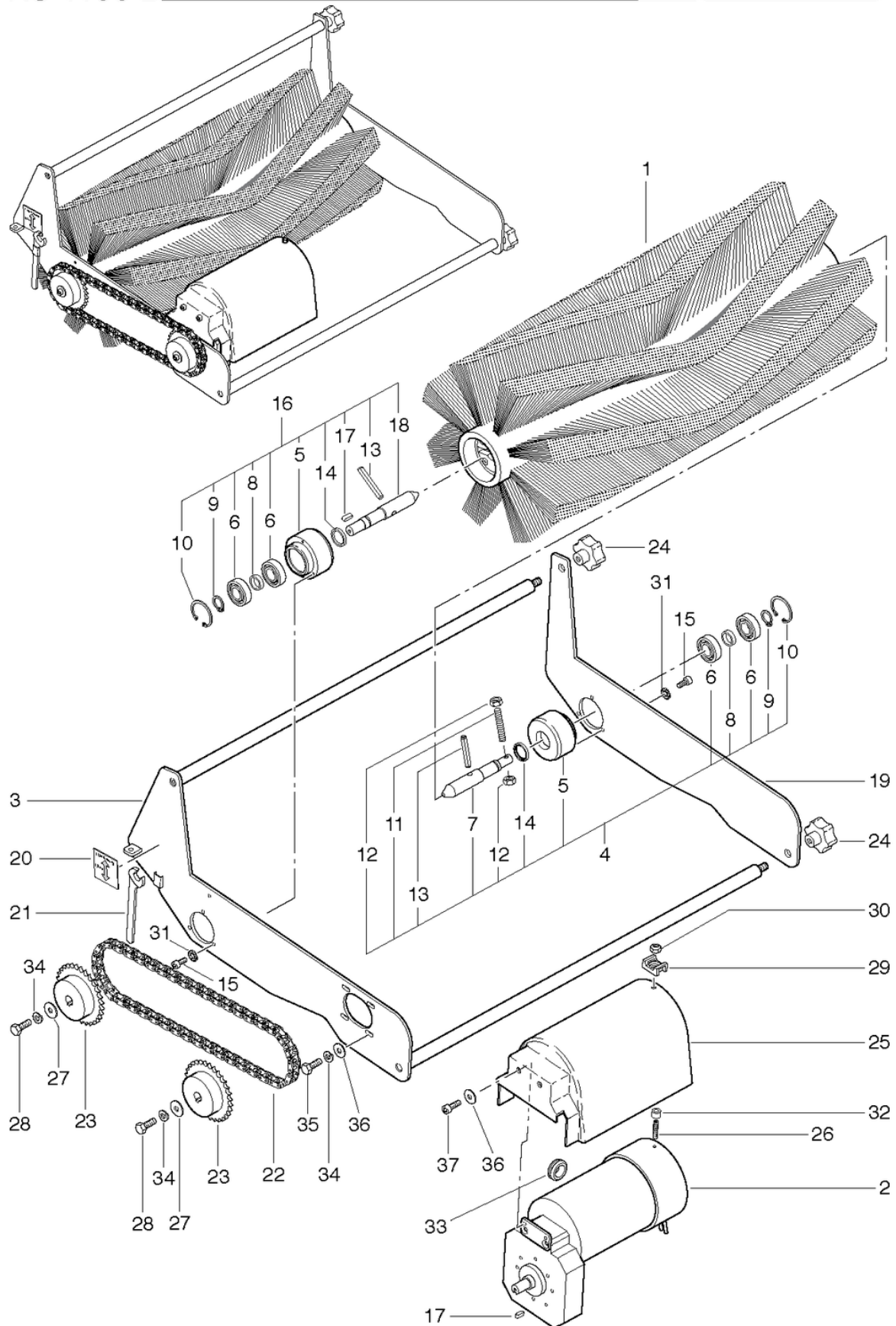
CLEANFIX KS1100 B HD

Brush drive

PDF created on: 10.11.2023 19:51



KS 1100 B



Pos.	Item no.	Spare part
1	080.501	Main brush roller standard, Ø 70cm
2	080.510	Gear motor brushes
3	080.525	Filter
4	080.535	Unit stock left
5	080.520	Support
6	P316W	Deep groove ball bearing 6203 2RS AV2 ø40 / 17 x 12
7	080.541	pusher dog
8	080.522	Distance ring
9	P513I	Ring DIN 471 17/1 A2
10	P513GC	Ring DIN 472 40/1,75
11	080.543	Threaded rod M8 x 48
12	P490E	Nut DIN 934 M8
13	P512VA	Slotted spring pin, heavy, ø8 x 50 A2
14	080.523	Radial shaft sealing ring ø 28 / 20 x 4
15	P488B	Screw DIN 912 M5 x 12 A2
16	080.515	Bearing Unit Complete
17	P474H	Key DIN 6885 A 05/05/15
18	080.521	Wave
19	080.550	Sidewall on the left
20	080.283	Sticker brush attitude
21	P470K	Flat spanner M8
22	080.555	Chain glider 101
23	080.556	Sprocket Wheel motor
24	080.560	Star handle ø 62 M10 IG
25	080.561	Roller brush motor cover
26	P513KA	Pin DIN 913 M5 x 25 St galvanized
27	P510L	Washer DIN 522 M6 6,4/25/1,5 A2
28	P472R	Screw DIN 933 M6 x 12 A2
29	125.111	Cable tie holder
30	P492G	Nut DIN 985 M5 St galvanized
31	P498D	Washer DIN 6798 M5 5,1/9/0,5 A2
32	P509F	Distance piece 5.2x10x10
33	P207A	Grommet
34	P498U	Ring DIN 127 B M6 6,1/11,8/1,6 A2
35	P472S	Screw DIN 933 M6 x 16 A2
36	P497H	Washer DIN 9021 M6 6,4/18/1,6 A2
37	P486QA	Screw DIN 912 M6 x 14 A2

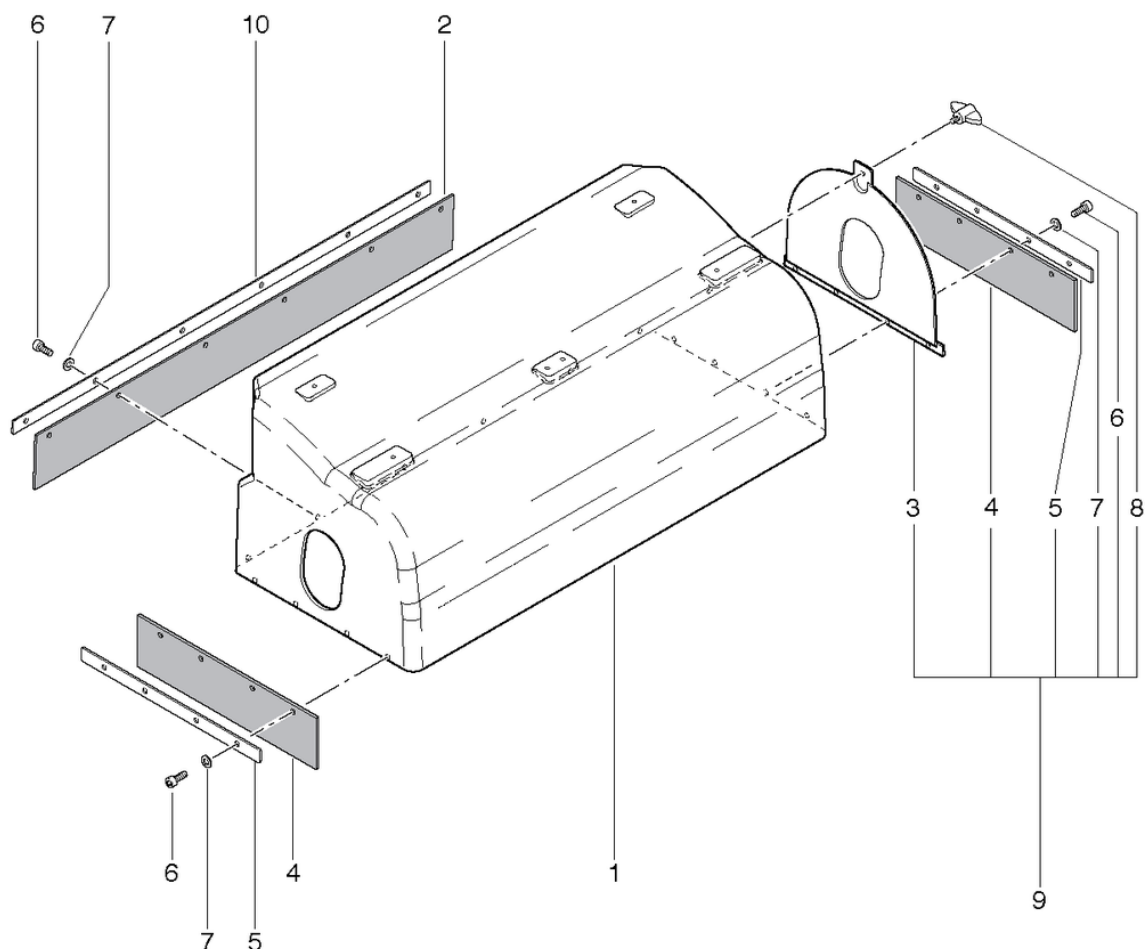
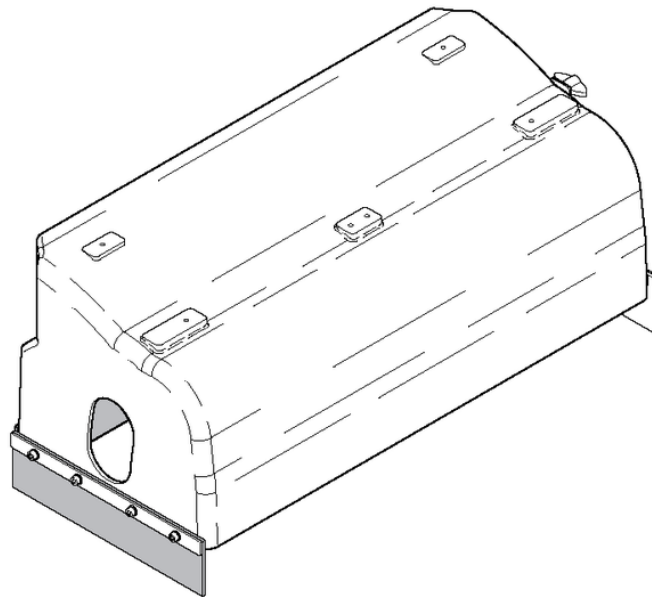
CLEANFIX KS1100 B HD

brush chamber up to machine no. 9044

PDF created on: 10.11.2023 19:51



KS 1100 B



Pos.	Item no.	Spare part
1	080.401	Brush room metal
2	080.402	Skirt
3	080.405	Cover for Brush Chamber
4	080.406	Side Protection
5	080.407	Rail
6	P488D	Screw DIN 912 M4 x 8
7	P497K	Washer DIN 125 A M6 6,4/12/1,6 A2
8	P253R	Wing screw Ø48 M6 x 10
9	080.403	Brush Cover
10	080.412	Rail big

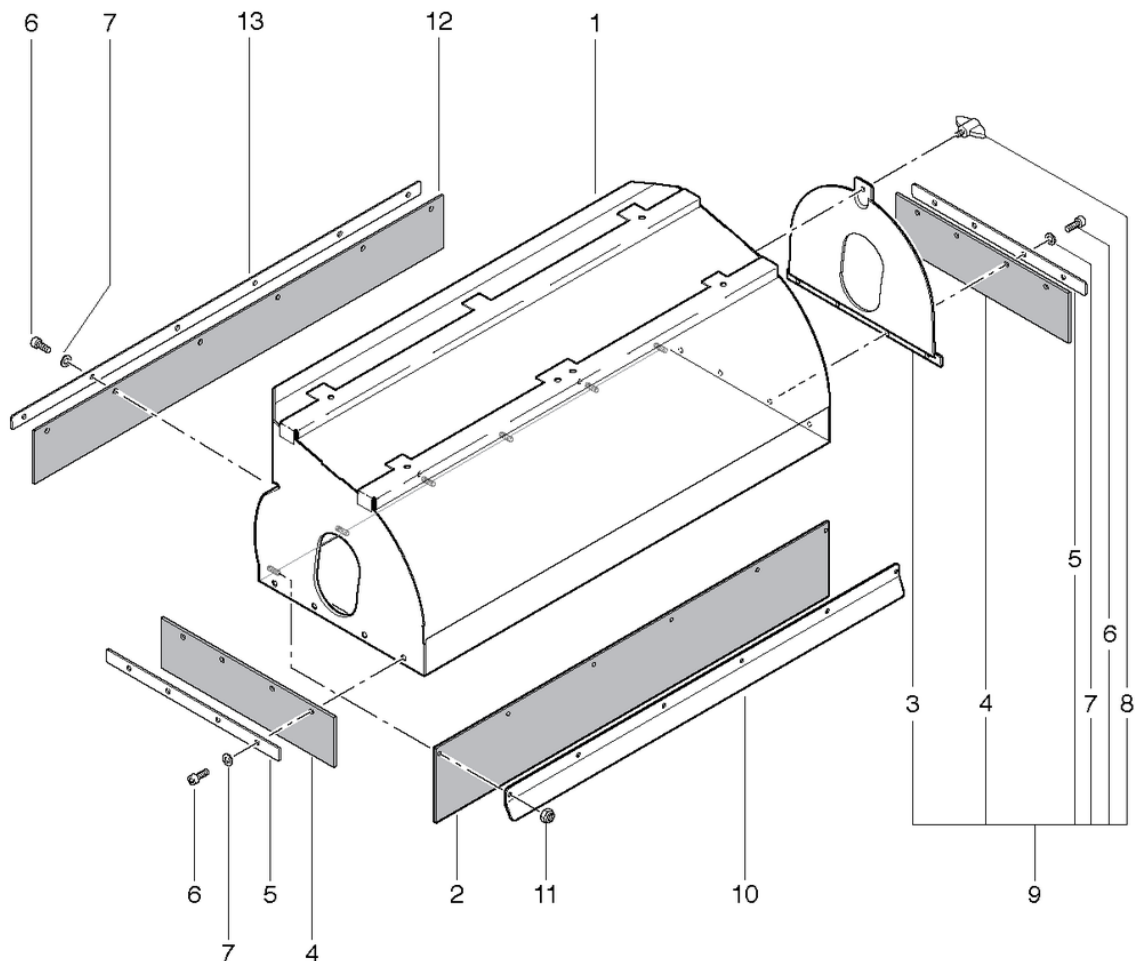
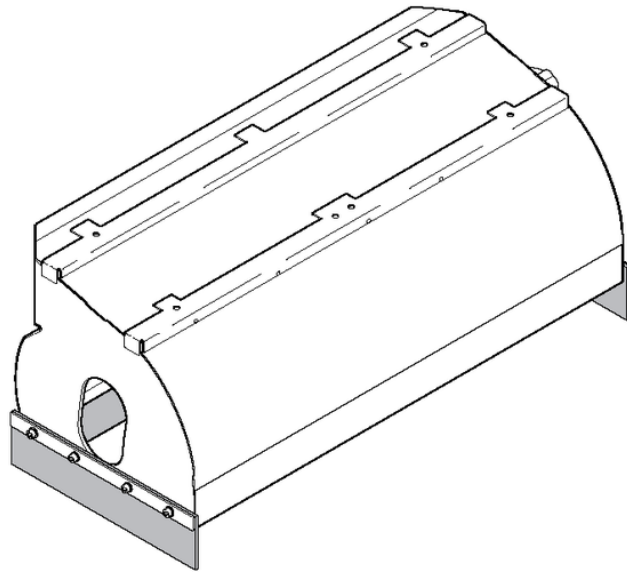
CLEANFIX KS1100 B HD

brush chamber as from machine no. 9045

PDF created on: 10.11.2023 19:51



KS 1100 B



Pos.	Item no.	Spare part
1	080.401	Brush room metal
2	080.413	Flap
3	080.405	Cover for Brush Chamber
4	080.406	Side Protection
5	080.407	Rail
6	P488D	Screw DIN 912 M4 x 8
7	P497K	Washer DIN 125 A M6 6,4/12/1,6 A2
8	P253R	Wing screw Ø48 M6 x 10
9	080.403	Brush Cover
10	080.414	Rail big
11	P492G	Nut DIN 985 M5 St galvanized
12	080.402	Skirt
13	080.412	Rail big

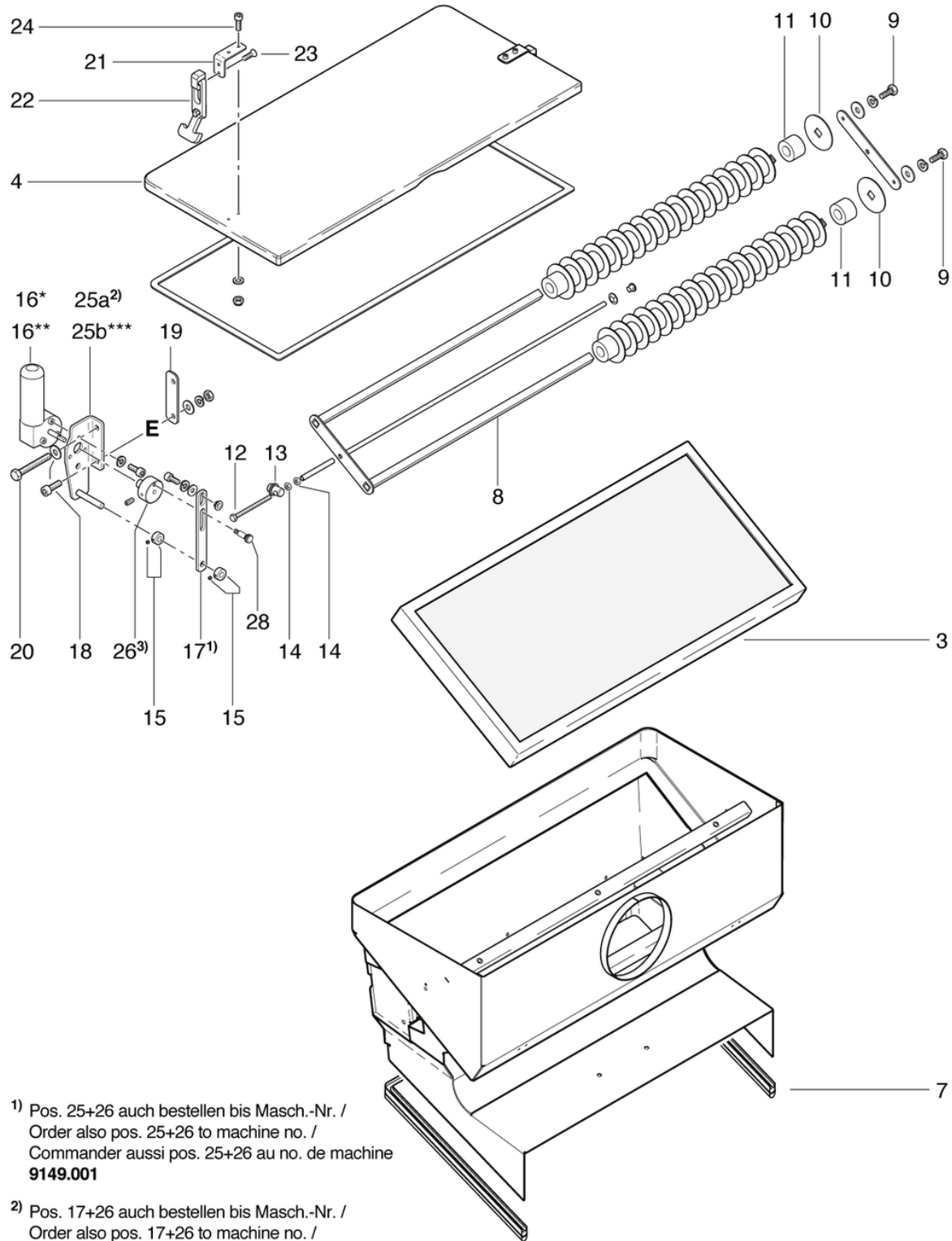
CLEANFIX KS1100 B HD

Suction and filter module

PDF created on: 10.11.2023 19:51



KS 1100 B



1) Pos. 25+26 auch bestellen bis Masch.-Nr. /
Order also pos. 25+26 to machine no. /
Commander aussi pos. 25+26 au no. de machine
9149.001

2) Pos. 17+26 auch bestellen bis Masch.-Nr. /
Order also pos. 17+26 to machine no. /
Commander aussi pos. 17+26 au no. de machine
9149.001

3) Pos. 17+25 auch bestellen bis Masch.-Nr. /
Order also pos. 17+25 to machine no. /
Commander aussi pos. 17+25 au no. de machine
9149.001

* bis Masch.-Nr. / to machine no. / au no. de machine
331432.010

** ab Masch.-Nr. / from machine no. / de no. de la machine
333177.001

*** ab Masch.-Nr. / from machine no. / de no. de la machine
2019.07

Pos.	Item no.	Spare part
3	080.228	Filter washable as standard
4	080.319	KS1100 Filter Cover
7	700.435	Seal (per metre)
8	080.230	Shake linkage
9	P472S	Screw DIN 933 M6 x 16 A2
10	080.232	Squeegee
11	080.233	Distance
12	P470J	Screw DIN 933 M6 x 100
13	080.704	Plug
14	P491E	Nut DIN 934 M6 A2
15	P330	Collar with grub screw Ø10/20/10
16**	080.237	Gear motor 24V 17, 3W
16*	080.245	Gear motor 24V 17,3 W set
17	080.713	Transmission Arm
18	P487D	Screw DIN 912 M8 x 25
19	080.238	Reinforcement sheet
20	P473L	Screw DIN 933 M8 x 100
21	080.240	Corner
22	080.241	Instep shutter
23	P517GA	Screw ISO 14581 M5 x 12
24	P488B	Screw DIN 912 M5 x 12 A2
25a	080.714	Motor holder
25b***	080.716	Engine holder
26	080.715	Coupling Complete
28	P513RB	ISO 7379 8 x 30 M6 screw

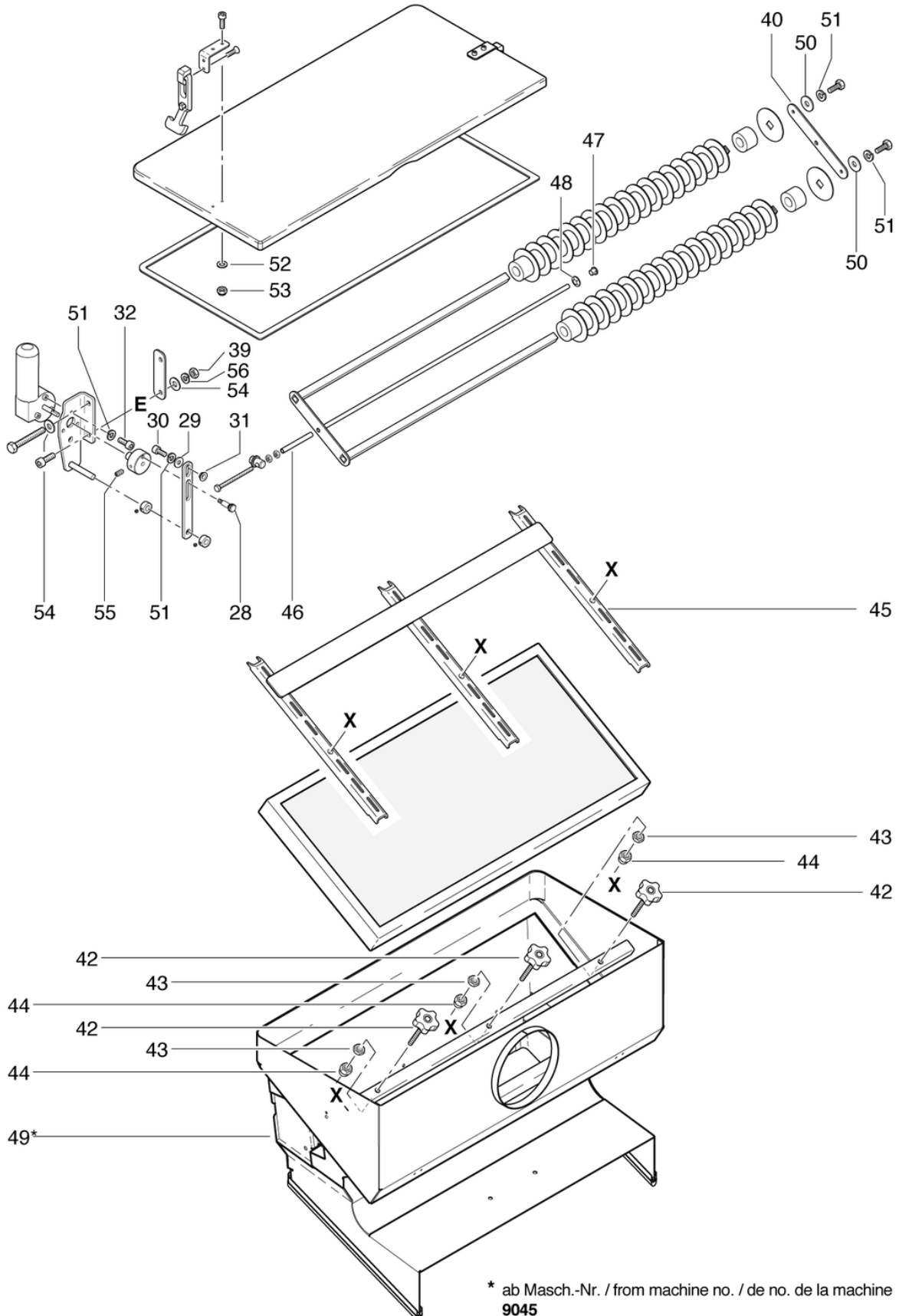
CLEANFIX KS1100 B HD

Suction and filter module

PDF created on: 10.11.2023 19:51



KS 1100 B



Pos.	Item no.	Spare part
28	P513RB	ISO 7379 8 x 30 M6 screw
29	P497H	Washer DIN 9021 M6 6,4/18/1,6 A2
30	P472R	Screw DIN 933 M6 x 12 A2
31	P321D	Permaglide flange socket 8/10 / 5.5
32	P486QA	Screw DIN 912 M6 x 14 A2
39	P492H	Nut DIN 985 M8 St galvanized
40	080.231	Attachment
42	080.125	Star handle ø 50 M8 x 67
43	P491M	Nut DIN 439 M8 St galvanized
44	P495O	Nut DIN 1587 M8 St galvanized
45	080.249	Filter holder
46	080.706	Guide
47	500.116	Permaglide Piece 8 X 9.5
48	P500W	Ring BN 833 BQ 10
49	080.259	Filter room
50	P510L	Washer DIN 522 M6 6,4/25/1,5 A2
51	P498U	Ring DIN 127 B M6 6,1/11,8/1,6 A2
52	P496H	Shim DIN 125 A M5 5,3/10/1
53	P492G	Nut DIN 985 M5 St galvanized
54	P496P	Washer DIN 125 A M8 8,4/16/1,6 A2
55	P482XB	Pin DIN 916 M6 x 8 St galvanized
56	P498N	Ring DIN 127 B M8 8,1/14,8/2

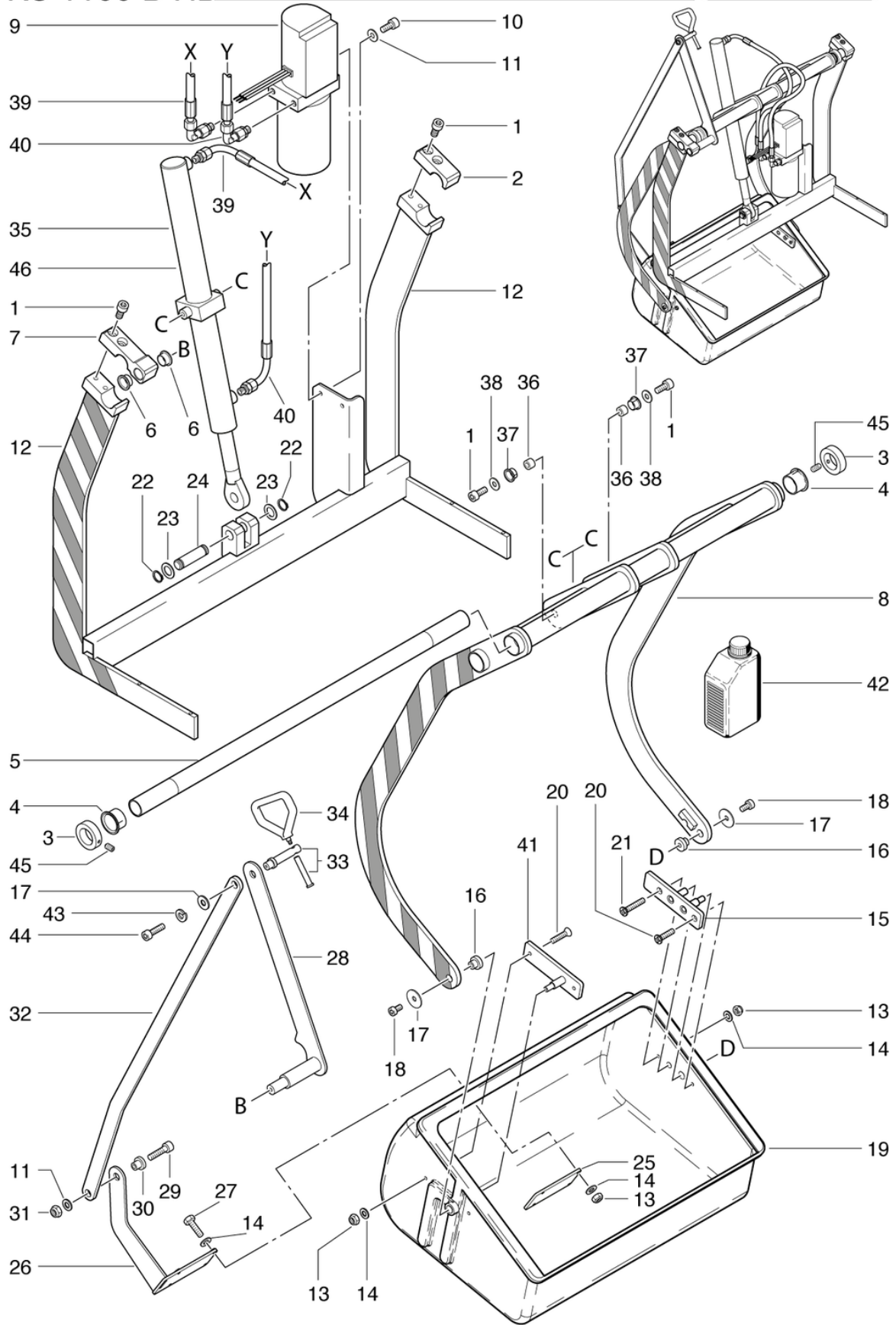
CLEANFIX KS1100 B HD

High dump

PDF created on: 10.11.2023 19:51



KS 1100 B HD



Pos.	Item no.	Spare part
1	P487K	Screw DIN 912 M10 x 25
2	080.826	Clamp above
3	080.701	Ring DIN 705 A 35.2 / 56/16
4	P321J	Permaglide flange socket 35/39/26
5	080.829	Axis
6	080.385	Permaglide flange bushing 20 / 23 / 11.5
7	080.828	Guide clamp
8	080.838	Swivel arm compl.
9	080.839	hydraulics aggregate
10	P489J	Screw DIN 912 M8 x 20 A2
11	P5100	Shim DIN 522 M8 8,4/20/2
12	080.703	Carrier -support
13	P492K	Nut DIN 985 M6 A2
14	P497K	Washer DIN 125 A M6 6,4/12/1,6 A2
15	080.832	Fence HE
16	080.821	Stock rifle
17	P510L	Washer DIN 522 M6 6,4/25/1,5 A2
18	P489P	Screw DIN 7984 M6 x 10 galvanized
19	080.845	dirty container compl.
20	P480H	Screw DIN 965 M6 x 20 A2
21	P479S	Screw DIN 965 M6 x 35
22	P499K	Ring DIN 471 20/1,2
23	P499WW	Shim DIN 988 20/32/0,5
24	080.822	Bolts cylinder pole
25	080.830	Against plate
26	080.831	Move Lever
27	P472U	Screw DIN 933 M6 x 25 A2
28	080.827	Rocking lever
29	P488V	Screw DIN 912 M8 x 30 A2K
30	080.820	Stock rifle
31	P492N	Nut DIN985 M8 A2
32	080.825	Strut
33	080.834	Handle
34	080.252	Hang handle
35	080.707	Hydraulic cylinder big HE
36	080.823	Rifle
37	P321I	Permaglide flange socket 18/20/12
38	P498R	Shim DIN 522 M10 10,5/25/2
39	080.840	Tube compl. inflow
40	080.841	Tube compl. outflow
41	080.835	Bolt holder right

Pos.	Item no.	Spare part
42	080.846	HE 1L hydraulic oil
43	P498U	Ring DIN 127 B M6 6,1/11,8/1,6 A2
44	P486QA	Screw DIN 912 M6 x 14 A2
45	P482XD	Pin DIN 913 M8 x 8 St galvanized
46	080.742	Sealing set for hydraulic cylinder

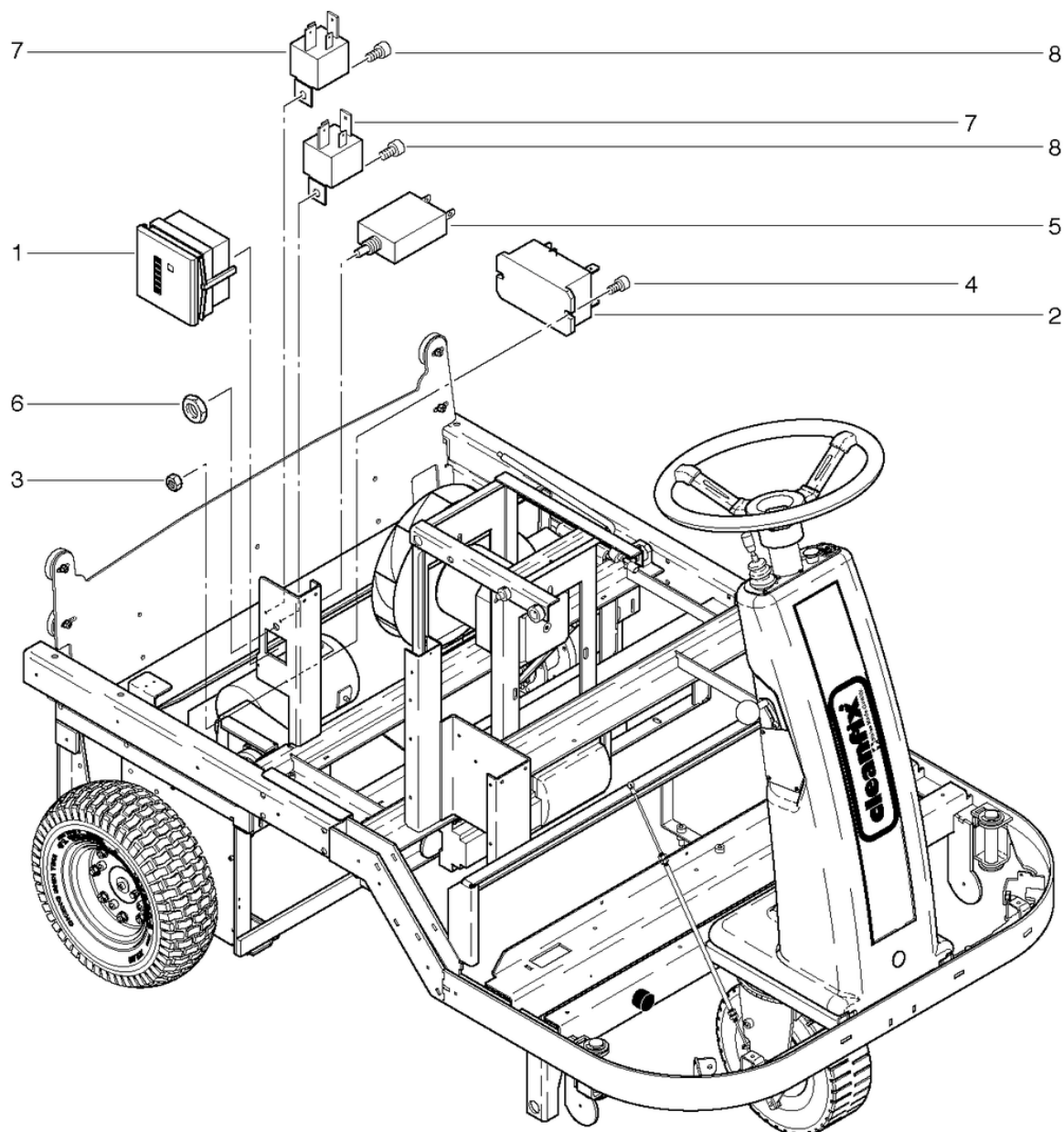
CLEANFIX KS1100 B HD

Electronics

PDF created on: 10.11.2023 19:51



KS 1100 B HD



Pos.	Item no.	Spare part
1	800.703	Hour Meter
2	080.392	Industrial relay 2 NO contacts 24VDC, 30A
3	P490B	nut DIN 934 M4
4	P488A	Screw DIN 912 M4 x 12 A2
5	470.355	Motor protection switch 25A
6	P491R	Nut DIN 439 B M10 x 0.5d St vz
7	080.394	Relay 24v 30a USE 470.759
8	P489E	Screw DIN 912 M5 x 10 A2

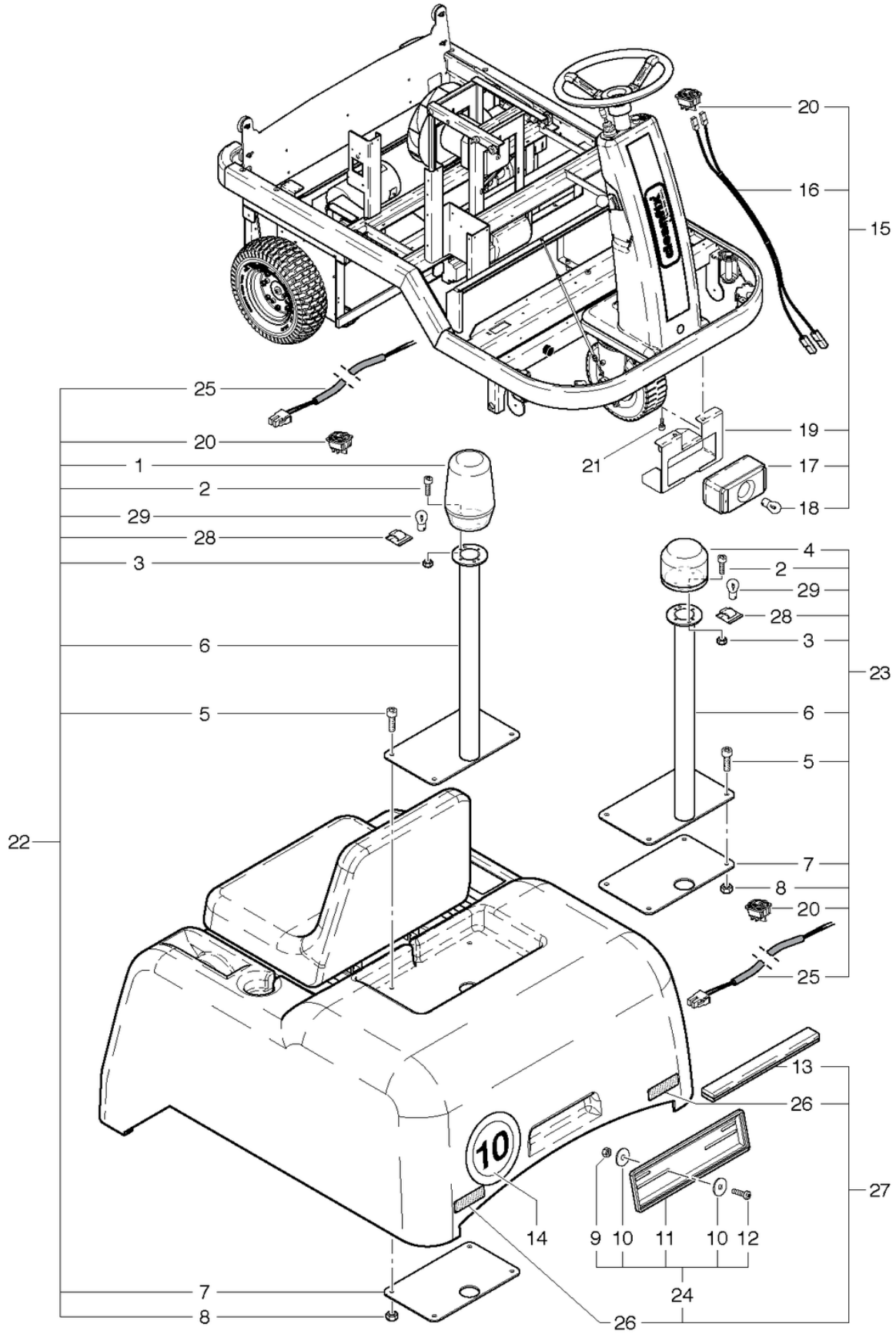
CLEANFIX KS1100 B HD

Special accessories

PDF created on: 10.11.2023 19:51



KS 1100 B HD



Pos.	Item no.	Spare part
1	080.201	Rotating Beacon
2	P486I	Screw DIN 7984 M5 x 16 galvanized
3	P490C	Hexagon nut DIN 934 M5
4	800.620	Flashing Light
5	P487D	Screw DIN 912 M8 x 25
6	080.294	Signal lamp holder
7	080.813	Counter pulley
8	P490E	Nut DIN 934 M8
9	P490D	Nut DIN 934 M6
10	P510L	Washer DIN 522 M6 6,4/25/1,5 A2
11	800.924	Framework to license plate
12	P472T	Screw DIN 933 M6 x 20 A2
13	800.923	Warning triangle with holder
14	800.922	Sk Etiquette speed 10 km
15	080.130	Reflector Kit
16	080.729	Cable harness high beam 1mm2
17	080.135	Pilot 170 lamp
18	080.136	Light bulb 24V
19	080.287	Lamp holder
20	P241	Rocker switch white 24V
21	P487H	Screw DIN 912 M10 x 20
22	080.295	Turning Light KS1100
23	080.296	Light Assy KS1100
24	080.297	Licence tag holder
25	080.740	Cable harness signal lamp
26	080.299	Eye a cat back red
27	080.925	Set Accessoires
28	P360	Nature cable holder
29	080.137	Light bulb 24V 20W

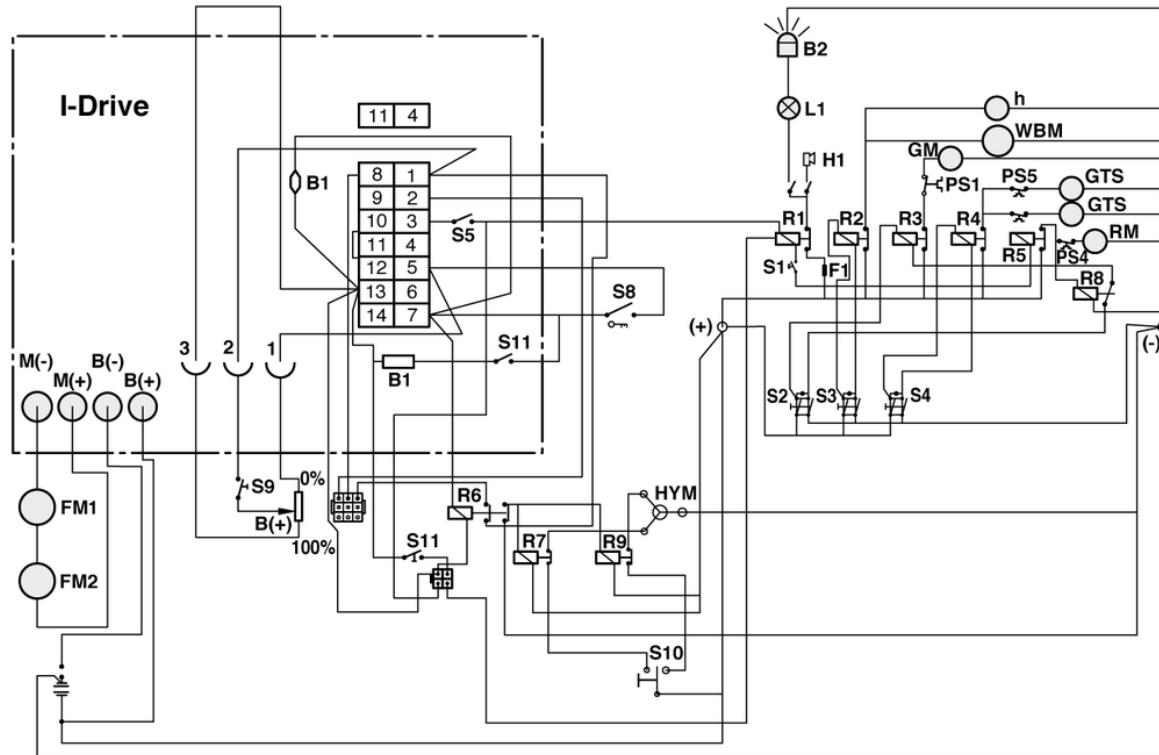
CLEANFIX KS1100 B HD

Wiring diagram

PDF created on: 10.11.2023 19:51



KS 1100 B HD



- | | | |
|-----|---|--|
| R1 | = | Relais Rüttlermotor |
| R2 | = | Walzenbürstenmotor |
| R3 | = | Gebläsemotor |
| R4 | = | Relais Seitenbesenmotor |
| R5 | = | Wechsler-Relais Rüttlermotor |
| R6 | = | Relais für Hydraulikfreischaltung von Sitzkontakt |
| R7 | = | Hydraulik einfahren |
| R8 | = | Relais Abschaltung Sauggebläse bei Rüttlerbetätigung |
| R9 | = | Hydraulik ausfahren |
| F1 | = | Feinsicherung |
| S1 | = | Taster Rüttlermotor |
| S2 | = | Schalter Saugmotor |
| S3 | = | Walzenbürste |
| S4 | = | Seitenbesen |
| S5 | = | Sitzschalter |
| S7 | = | Hauptschalter |
| S8 | = | Schlüsselschalter |
| S10 | = | Schalter Hydraulik einfahren/ausfahren |
| S11 | = | Kippschalter Fahrtrichtung |
| PS1 | = | Motorschutzschalter Gebläse 25A |
| PS2 | = | Motorschutzschalter Walzenbürste 25A |
| PS3 | = | Motorschutzschalter Hochentlehung 25A |
| PS4 | = | Motorschutzschalter Rüttlermotor 12A |
| PS5 | = | Motorschutzschalter Seitenbesen 12A |
| WBM | = | Walzenbürstmotor |
| GM | = | Gebläsemotor |
| h | = | Stundenzähler |
| RM | = | Rüttlermotor |
| GTS | = | Getriebemotor Seitenbesen |
| HS | = | Hauptsicherung |
| FM1 | = | Fahrmotor rechts |
| FM2 | = | Fahrmotor links |
| HYM | = | Hydraulikmotor |
| B1 | = | Batterieanzeige |
| H1 | = | Horn |
| B2 | = | Blitzleuchte |
| L1 | = | Frontlicht |