

CLEANFIX R44-120

Contents

PDF created on: 10.11.2023 19:57



R44-120

Stieloberteil
Top part front side
Partie supérieure en avant
B 5 / ST 5

Stromlaufplan
Wiring diagram
Diagramme électrique
B 7 / ST 7

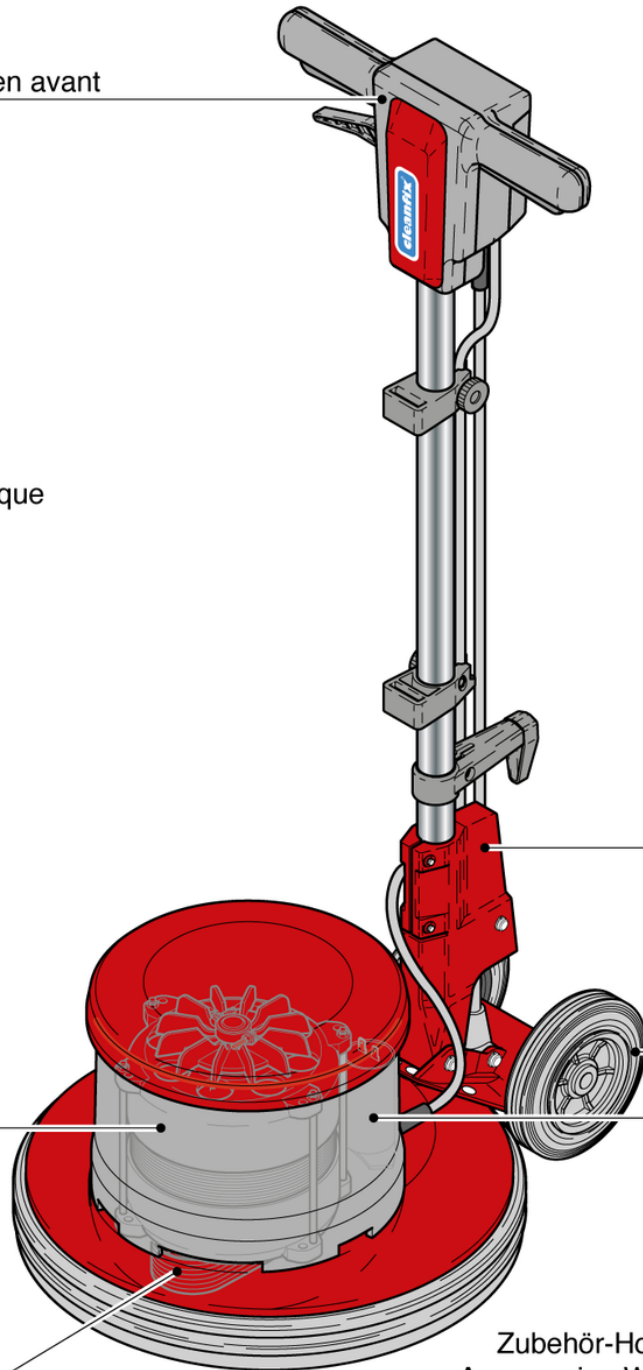
Stielversteller
Shaft adjuster
Règlage du manche
B 4 / ST 4

Motor
Moteur
B 1 / ST 1

Elektronik und
Fahrwerk
Electronic and
drive axle
Electronique et
train de transport
B 3 / ST 3

Antriebssteile
Driving pieces
Pieces de commande
B 2 / ST 2

Zubehör-Holzschleifteller Quattro
Accessories-Wood Grinding Quattro
Accessoires plateau de ponçage du bois Quattro
B 9 / ST 9



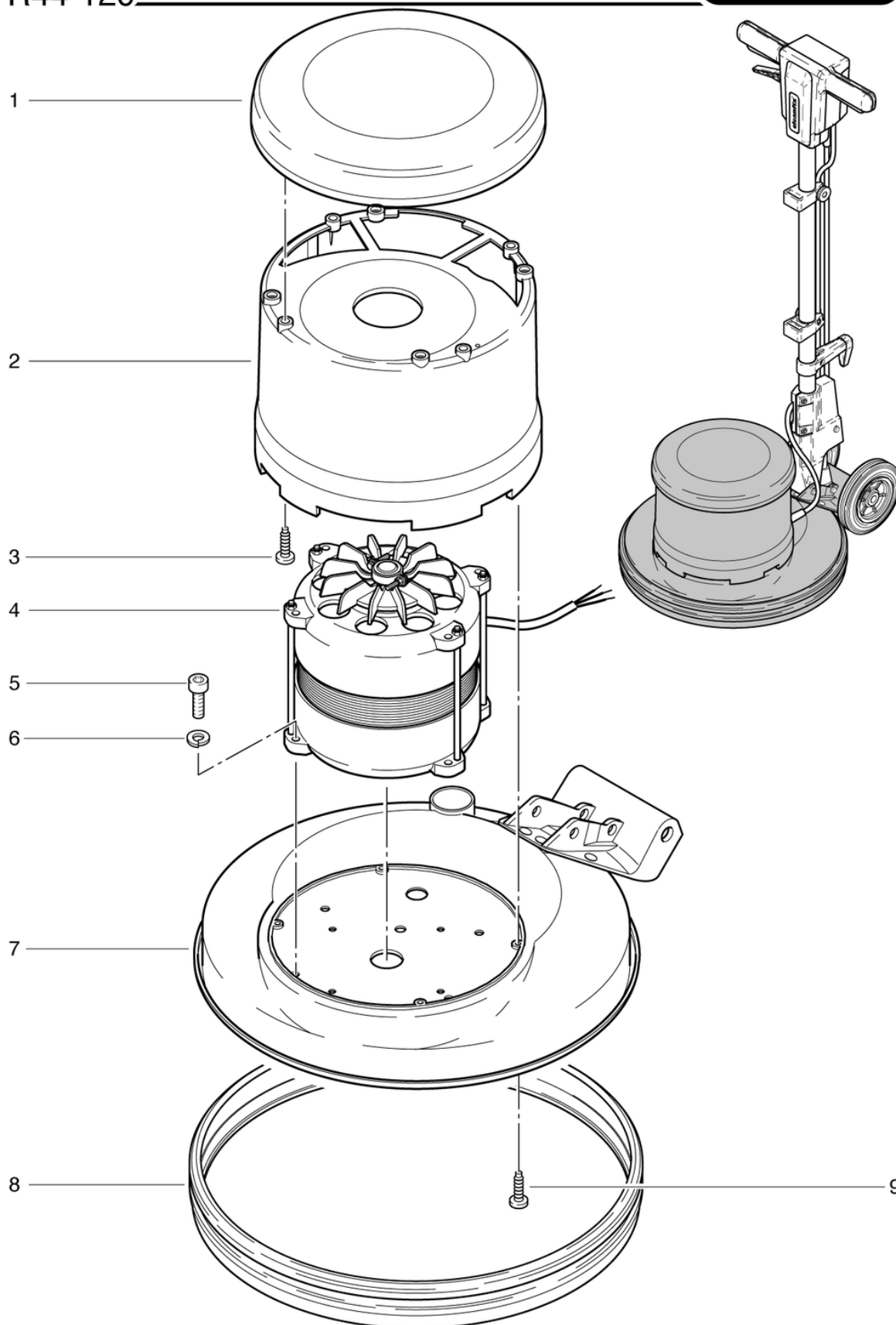
CLEANFIX R44-120

Motor

PDF created on: 10.11.2023 19:57



R44-120



Pos.	Item no.	Spare part
1	748.067	Cover Red
2	748.066	Motor Hood
3	P515Z	Screw WN 1452 K50 x 16
4	747.121	brush motor 230V/50Hz 6pol.
5	P486T	Screw DIN 912 M6 x 25
6	P498U	Ring DIN 127 B M6 6,1/11,8/1,6 A2
7	739.060	Lower housing cpl. Red
8	741.054	Anthracite gray bump protection
9	P515L	Screw WN 1452 K50 x 25 A2

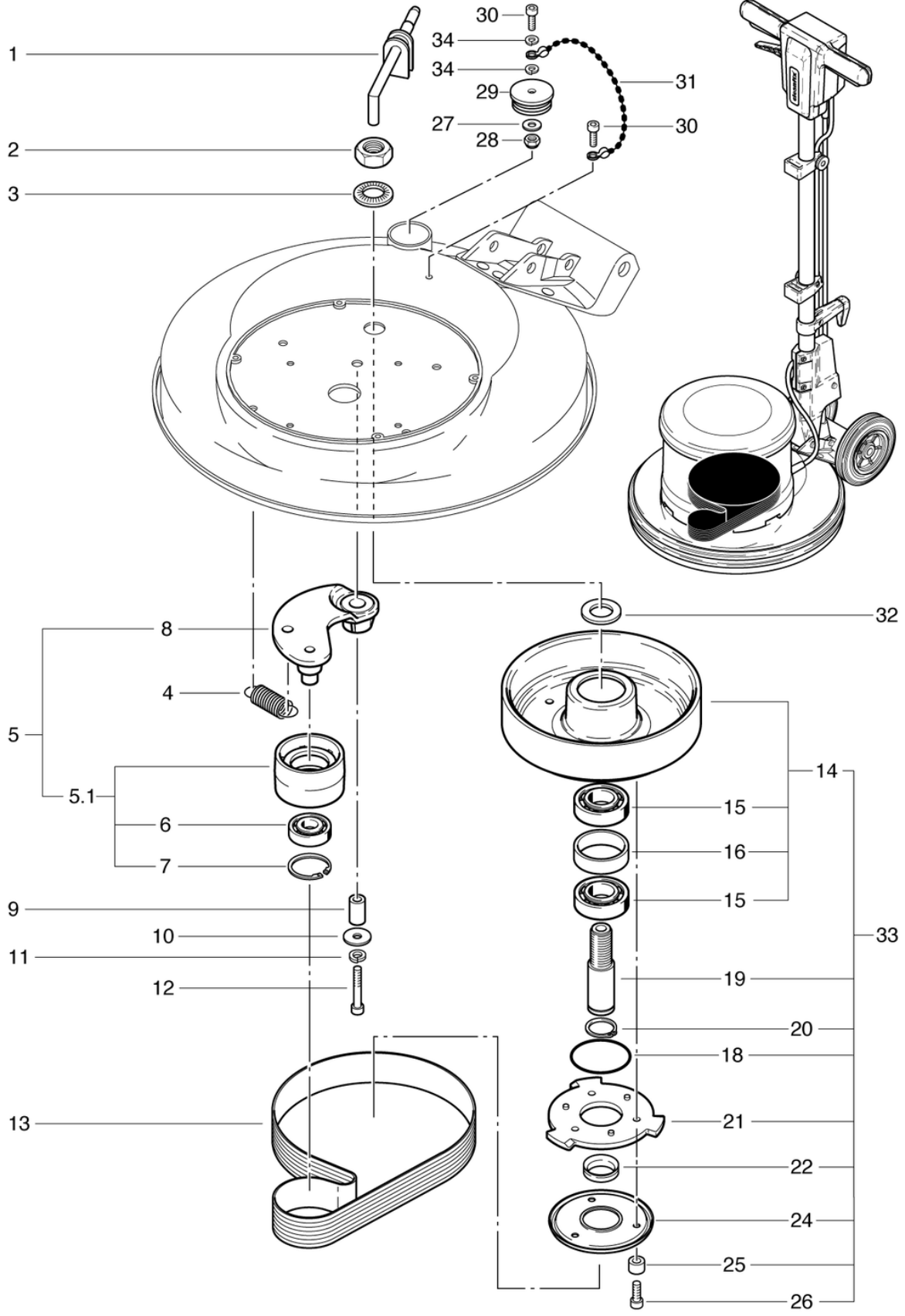
CLEANFIX R44-120

Pieces de commande

PDF created on: 10.11.2023 19:57



R44-120



Pos.	Item no.	Spare part
1	748.064	Solution tube
2	P492R	Nut DIN 934 M20 x 1.5 A2
3	P498Q	Shim NFE 25511 M20 20,5/40/4,9
4	635611363	Mainspring 2.8 / 18.5 / 66
5.1	742.116	Tension pulley $\varnothing 65.2 \times 37$ cpl.
5	742.100	Belt Tension Pulley
6	P316O	Deep groove ball bearing 6302 2RSR $\varnothing 42 / 15 \times 13$
7	P513G	Ring DIN 472 42/1,75
8	742.133	Belt Tension Lever
9	742.135	Distance Ring
10	P496Q	Shim DIN 9021 M8 8,4/24/2
11	P498N	Ring DIN 127 B M8 8,1/14,8/2
12	P487I	Screw DIN 912 M8 x 40
13	6390520	Poly-V-belt 15-PJ-864mm Lw
14	742.130	Belt wheel Type 1
15	P316P	Deep groove ball bearing 6205 2RS $\varnothing 52 / 25 \times 15$
16	3611851	Spacer ring $\varnothing 52 / 45 \times 15$
18	P964A	Ring DIN 3771 55,25/2,62 EPDM
19	741.125	Main Axle
20	P513D	Ring DIN 471 25/1,2
21	742.141	Pad Hub
22	P344	Shaft sealing ring 25x40x3 EPDM/V2A
24	742.128	Brush Support
25	742.129	Distance ring $\varnothing 8 / 6 \times 4$
26	P487S	Screw DIN 912 M6 x 20 A2
27	P496E	Shim DIN 522 M4 4,3/14/0,8
28	P493D	Stopp-nut DIN 985 M4 A2
29	736.203	Lamellar plugs machined
30	P486A	Screw DIN 912 M4 x 12
31	747.066	Chain
32	430.151	Washer 20 x 32 x 3mm
33	741.126	Belt wheel pre-mounts cpl. including Items 13-25
34	P497D	Shim DIN 125 A M4 4,3/9/0,8 Ms

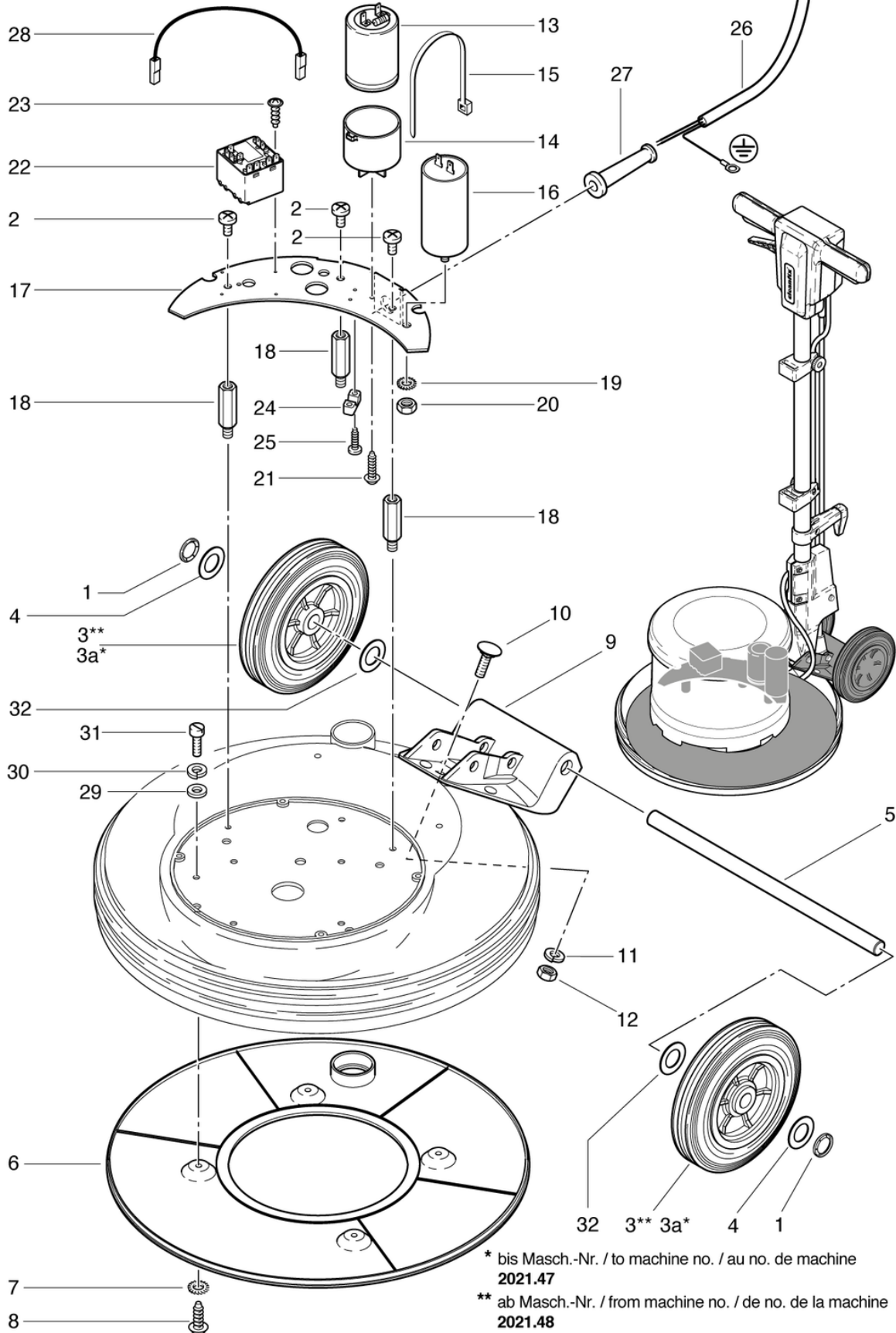
CLEANFIX R44-120

Electronic and drive axle

PDF created on: 10.11.2023 19:57



R 44-120



* bis Masch.-Nr. / to machine no. / au no. de machine
2021.47

** ab Masch.-Nr. / from machine no. / de no. de la machine
2021.48

Pos.	Item no.	Spare part
1	P500H	Feather ring M8
2	P477S	Screw SN 213307 M6 x 8
3a	741.072A	Wheel ø160 x 40mm rework
3	741.072	Wheel ø160 x 40mm
4	P510	Shim DIN 988 16/28/0,5
5	742.060	Wheel Axle
6	749.146	Bottom plate
7	P496K	Shim DIN 125 A M6 6,4/12/1,6
8	P483P	Screw BN 1023 M5 x 12
9	741.080	Wheel Support
10	P485M	Screw DIN 603 M6 x 25
11	P498U	Ring DIN 127 B M6 6,1/11,8/1,6 A2
12	P490D	Nut DIN 934 M6
13	742.328	Capacitor 125 uF, 320 V
14	741.316	Capacitor Holder
15	P424A	Cable ties natural 3.7 x 368mm
16	P385J	Capacitor 25uF,450VAC
17	P405F	electric plate
18	P484U	Spacer BN 7375 M6 x 40 PA6.6
19	P498G	Shim DIN 6798 M8 8,4/15/0,8
20	P490E	Nut DIN 934 M8
21	P516G	Screw WN 1451 K40 x 16
22	P350	Motor start relay
23	P476O	Screw ISO DIN 7380 M3 x 8 A2K
24	4611085	Cable Clamp
25	P476F	Screw DIN 7985 M5 x 20 A2
26	759.312	Cable 3 x 1.5mm ² with clamp 2.5mm ²
27	660011014	R53-1100 Cable Sleeve
28	742.331	Wiring black
29	P497D	Shim DIN 125 A M4 4,3/9/0,8 Ms
30	P498C	Ring DIN 127 B M4 4,1/7,6/0,9
31	P478B	Screw DIN 84 M4 x 8 Ms
32	P496Y	Shim DIN 125 M14 15/28/2,5

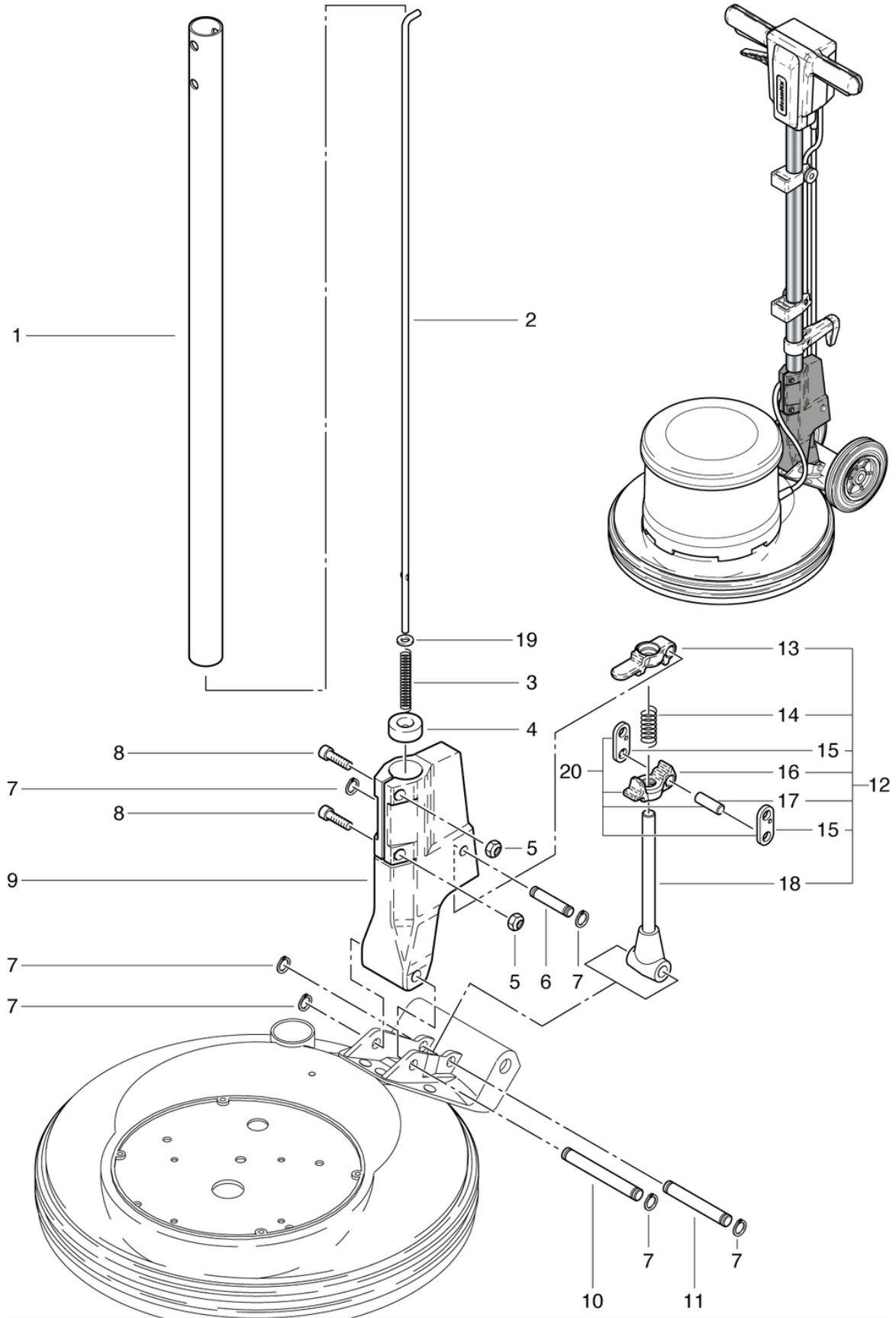
CLEANFIX R44-120

Shaft adjuster

PDF created on: 10.11.2023 19:57



R44-120



Pos.	Item no.	Spare part
1	742.410L	Shaft Tube
2	742.212L	Drawbar L = 863mm
3	634711031	Compression spring 1 / 6.2 / 55
4	623711022	Guide Sleeve
5	P493K	Nut DIN 985 M6
6	672711018	Axle
7	P499Q	Shim DIN 6799 8/16,3/1
8	P486T	Screw DIN 912 M6 x 25
9	741.260	Shaft adjustment red
10	672711016	Axis \varnothing 12 x 99mm
11	672711017	Axis \varnothing 12 x 82.2mm
12	2711133	Handle adjuster cpl.
13	3711236	Adjustment piece long
14	634711020	Compression spring 2 / 12,2 / 37
15	4711014	Holder
16	3711237	Adjustment piece short
17	672711019	Axle
18	741.270	Adjusting rod 177mm cpl.
19	P496K	Shim DIN 125 A M6 6,4/12/1,6
20	741.280	Adjuster short cpl.

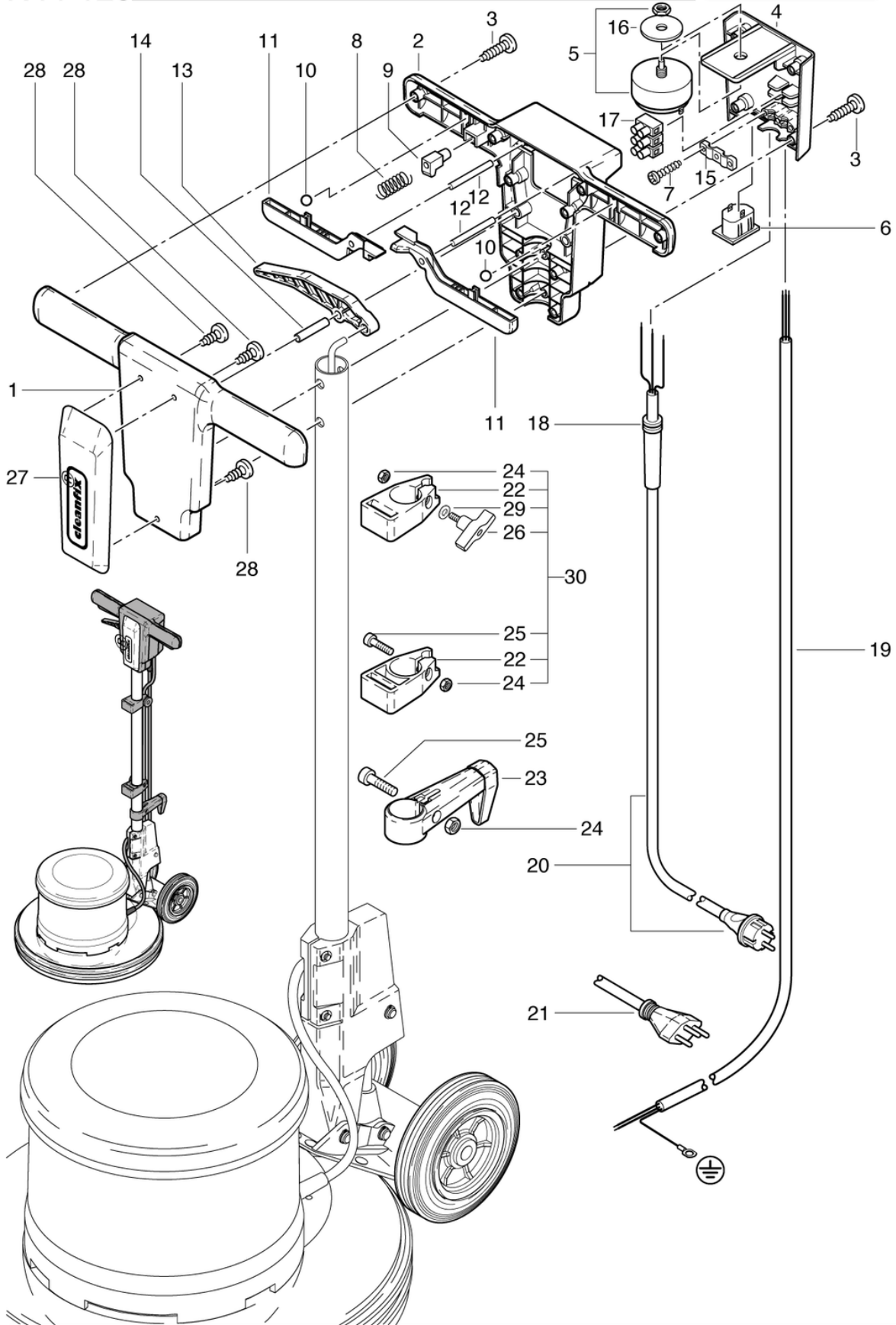
CLEANFIX R44-120

Top part front side

PDF created on: 10.11.2023 19:57



R44-120



Pos.	Item no.	Spare part
1	741.201	Front Cover Handle
2	741.202	Upper part of handle at the back anthracite gray
3	P515L	Screw WN 1452 K50 x 25 A2
4	741.310	Rear Handle Cover
5	6650454	Switch
6	P380B	Device socket 2P + E
7	P516Q	Screw WN 1452 K50 x 18
8	742.209	Compression spring VD-090L 0.55 / 6 / 29.2
9	742.208	Button grey anthrazite
10	6440641	Ball DIN 5401 8
11	741.204	Switch
12	P512M	Pin ISO 2338 6 x 50 pc vz
13	741.207	Shaft Adj Lever
14	P512P	Pin ISO 2338 8 x 40 pc vz
15	742.321	Cable clamp
16	P496	Shim DIN 9021 M12 13/37/3
17	P383N	Terminal block with DS, 3-pole, 6mm ²
18	660011014	R53-1100 Cable Sleeve
19	759.312	Cable 3 x 1.5mm ² with clamp 2.5mm ²
20	656711039	Mains cable VDE 3 x 1.5mm ² , 12.5m gray
21	65671103901	Mains cable SEV 3 x 1.5mm ² , 12.5m
22	4711231	Solution Tank Holder
23	3711029	Cable holder CL cpl.
24	P490D	Nut DIN 934 M6
25	P486T	Screw DIN 912 M6 x 25
26	P253X	Wing nut Ø48 M6x25
27	741.208	Screen, red
28	P516V	Screw WN 1452 KA25 x 10
29	P496K	Shim DIN 125 A M6 6,4/12/1,6
30	4711232	Solution tank holder set

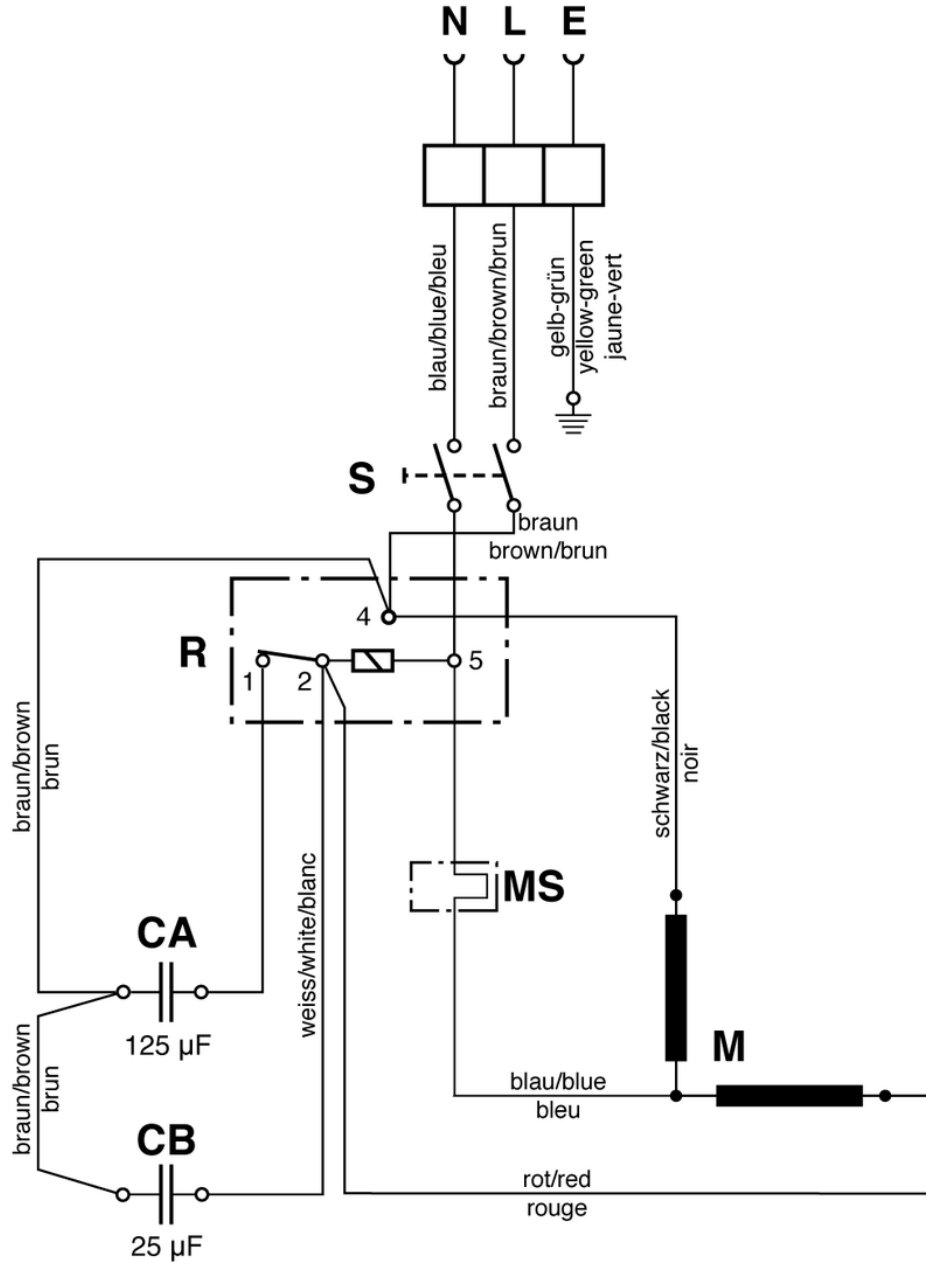
CLEANFIX R44-120

Wiring diagram

PDF created on: 10.11.2023 19:57



R44-120



- S = Schalter Bürstmotor / Tumbler switch for motor / Interrupteur pour moteur
- R = Startrelais / Relais / Relais de démarrage
- CA = Anlaufkondensator 125 μ F / Capacitor 125 μ F / Capaciteur 125 μ F
- CB = Betriebskondensator 25 μ F / Capacitor 25 μ F / Capaciteur 25 μ F
- M = Motor / Motor / Moteur
- MS = Motorschutzschalter

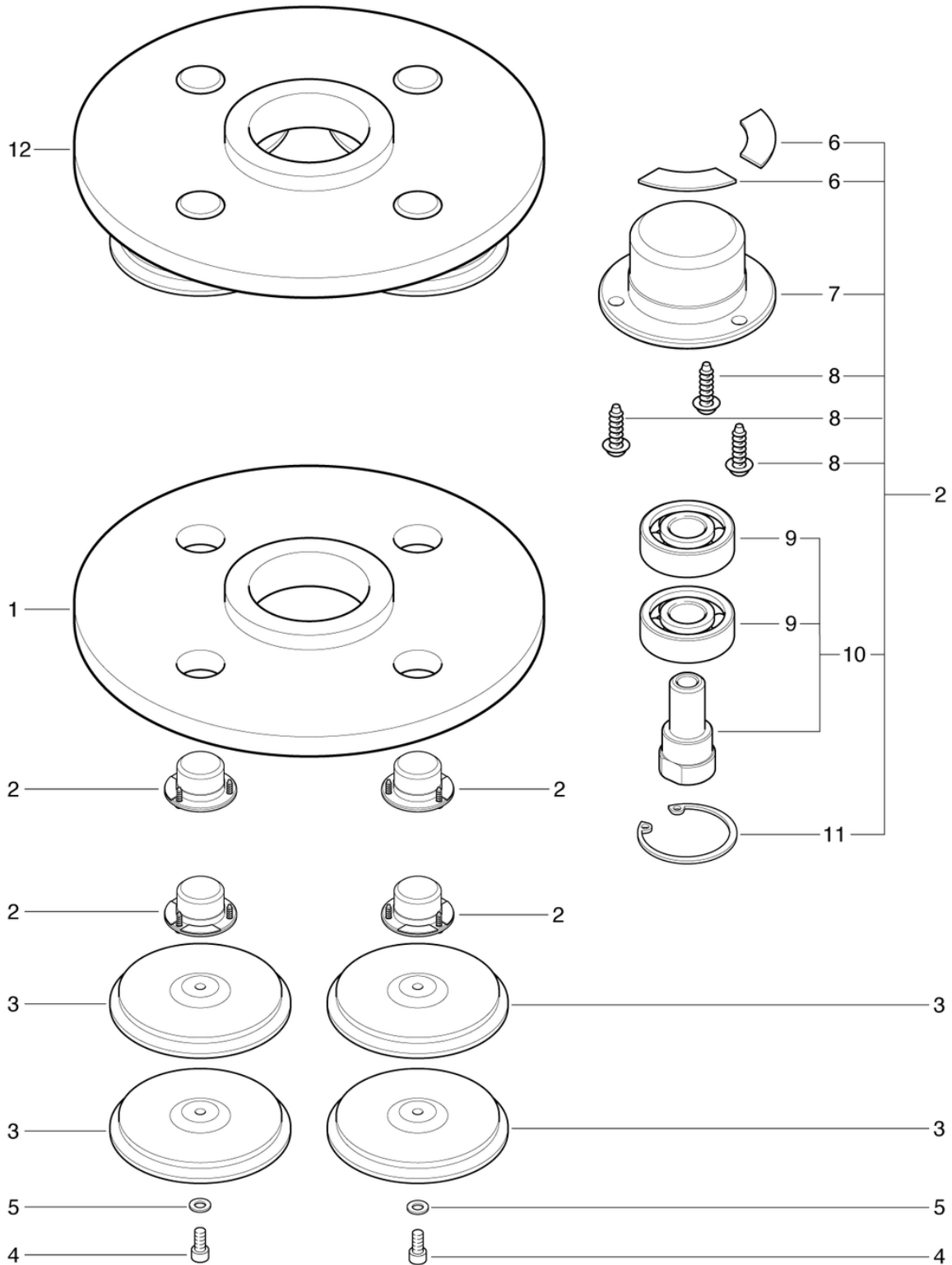
CLEANFIX R44-120

Accessories-Wood Grinding Quattro

PDF created on: 10.11.2023 19:57



R44-120



Pos.	Item no.	Spare part
1	742.081	Brush body
2	742.089	Bearing set
3	742.087	Sanding plate Ø150mm, H21mm
4	P486	Screw DIN 912 M8 x 16
5	P496P	Washer DIN 125 A M8 8,4/16/1,6 A2
6	742.086	Underlay
7	742.082	Bearing shield
8	P516H	Screw WN 1451 K50 x 16
9	P316D	Deep groove ball bearing 6201 2RSR ø32 / 12 x 10
10	742.083	Bearing bolt cpl.
11	P514K	Ring DIN 472 32/1,2
12	742.080	Grinding plate Quadro