

CLEANFIX TW 600

Contents

PDF created on: 10.11.2023 20:10



TW 600

Teppichadapter
Adapteur tapis
Carpet tool

B 6 / ST 6

Gehäuse
Caisse recipient
Polyester case

B 1 / ST 1

Saug-Sprühschlauch
Tuyau d'asp. et pression
Spray and suction hose

B 7 / ST 7

Membrantank
Recipient membrane
Membrane tank

B 2 / ST 2

Teppichadapter
Adapteur tapis
Carpet tool

B 6 / ST 6

Saug-Sprühschlauch
Tuyau d'asp. et pression
Spray and suction hose

B 7 / ST 7

Einbau Membranpumpe
Montage de la pompe
membrane
Membran pump assembling

B 4 / ST 4

Netzzuleitung
Cable d'alimentation
Electrical connection

B 5 / ST 5

Saugmotor
Moteur d'aspiration
Suction motor

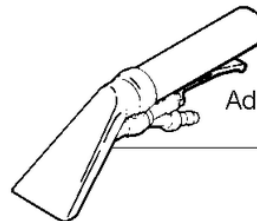
B 3 / ST 3

Stromlaufplan
Diagramme électrique
Wiring diagram

B 9 / ST 9

Polsteradapter
Adapteur pour ameublements
Upholstery tool

B 8 / ST 8



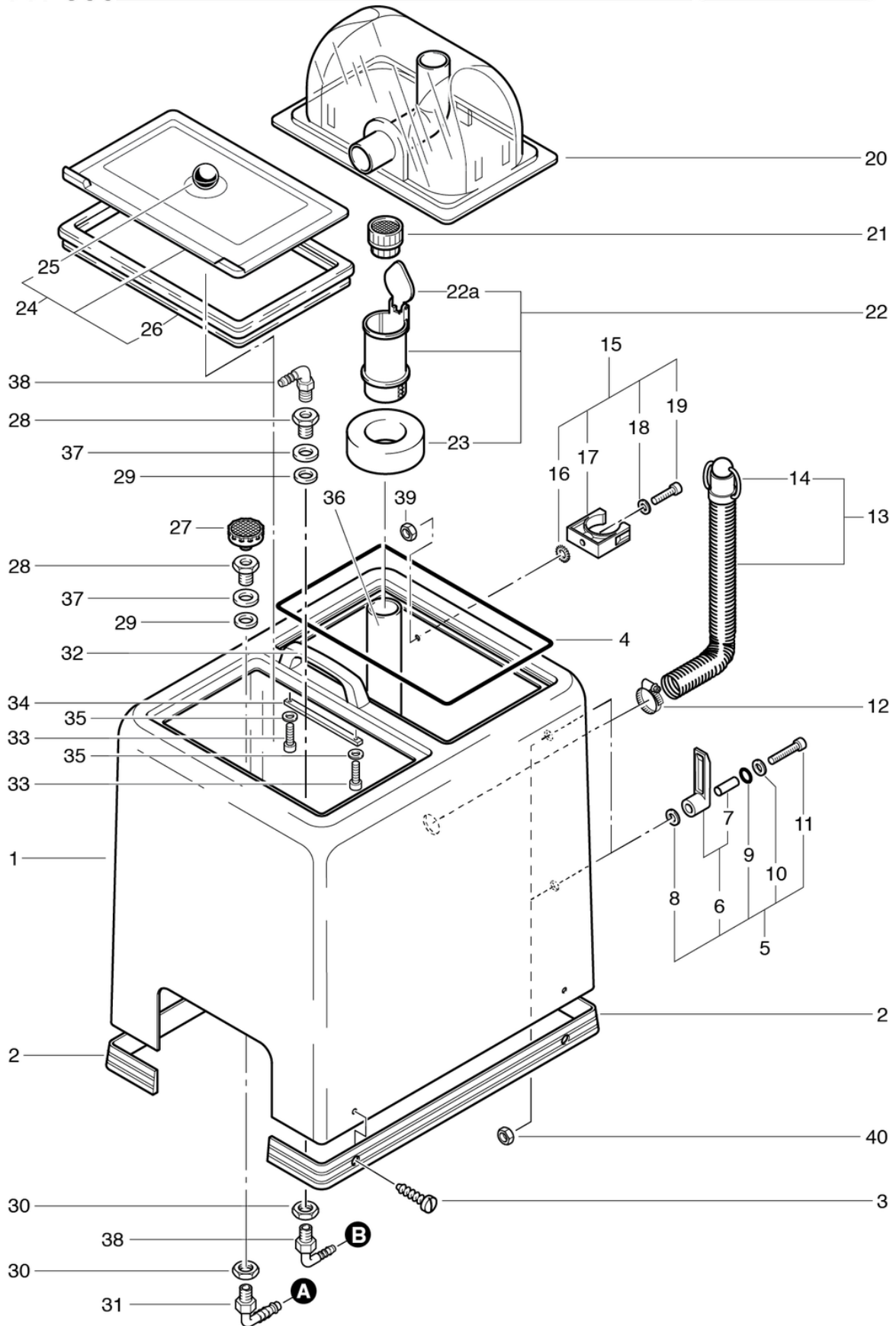
CLEANFIX TW 600

Polyester case

PDF created on: 10.11.2023 20:10



TW 600



Pos.	Item no.	Spare part
1	060.098	Housing complete with inner tank
2	036.114	Bounce protection
3	P482B	Screw DIN 7981 C 4,8 x 19 black
4	P051	Seal
5	P087	Catch for cable black cpl.
6	P087A	Catch for cable black
7	P087B	Distance sleeve Ø8/6,2 x 18,8mm
8	P497H	Washer DIN 9021 M6 6,4/18/1,6 A2
9	P088	O-Ring 8,73/1,78 NBR
10	P496K	Shim DIN 125 A M6 6,4/12/1,6
11	P486W	Screw DIN 912 M6 x 30
12	P554B	Hose clamp 20 x 32
13	050.108	Discharge Hose
14	P108C	Closure ball
15	P109	Hose support cpl. including Items 8-10
16	P498K	Shim DIN 6798 M6 6,4/11/0,7
17	P109A	Hose holder anthracite
18	P496H	Shim DIN 125 A M5 5,3/10/1
19	P488G	Screw DIN 912 M5 x 16 A2
20	P080	Cover 1-hole smoke transparent cpl.
20	P081	Cover 1-hole green cpl.
21	P071	Suction pipe screen
22a	P076D	Cover of the float
22	P074	Float with flap
23	P074A	Floater rondel
24	060.082	Cover Brown
25	P082B	Ball handle Ø30 M12 IG
26	420.723	RA400 Seal for Cover (Tank)
27	P106	Fresh water filter ND
28	P535E	Hollow nipple 3/8 - 1/4 x 16 Ms
30	P535B	Nut 3/8 Ms
31	P541H	Elbow nipple WES 8 / R1 / 4
32	P173H	Handle black
33	P487W	Screw DIN 7991 M6 x 16 A2
34	060.094	Retaining plate 129 x 8.5 x 5
35	P497G	Washer DIN 125 A M5 5,3/10/1 A2
36	130.516	ABS suction pipe
37	P097	Sealing shim 30/17/2 PE
38	P541B	Elbow nipple WES 4 / R1 / 4
39	P494K	Nut BN 196 M5 1.7-2.4 St vz
40	P494L	Nut BN 196 M6 1.7-2.4 St vz

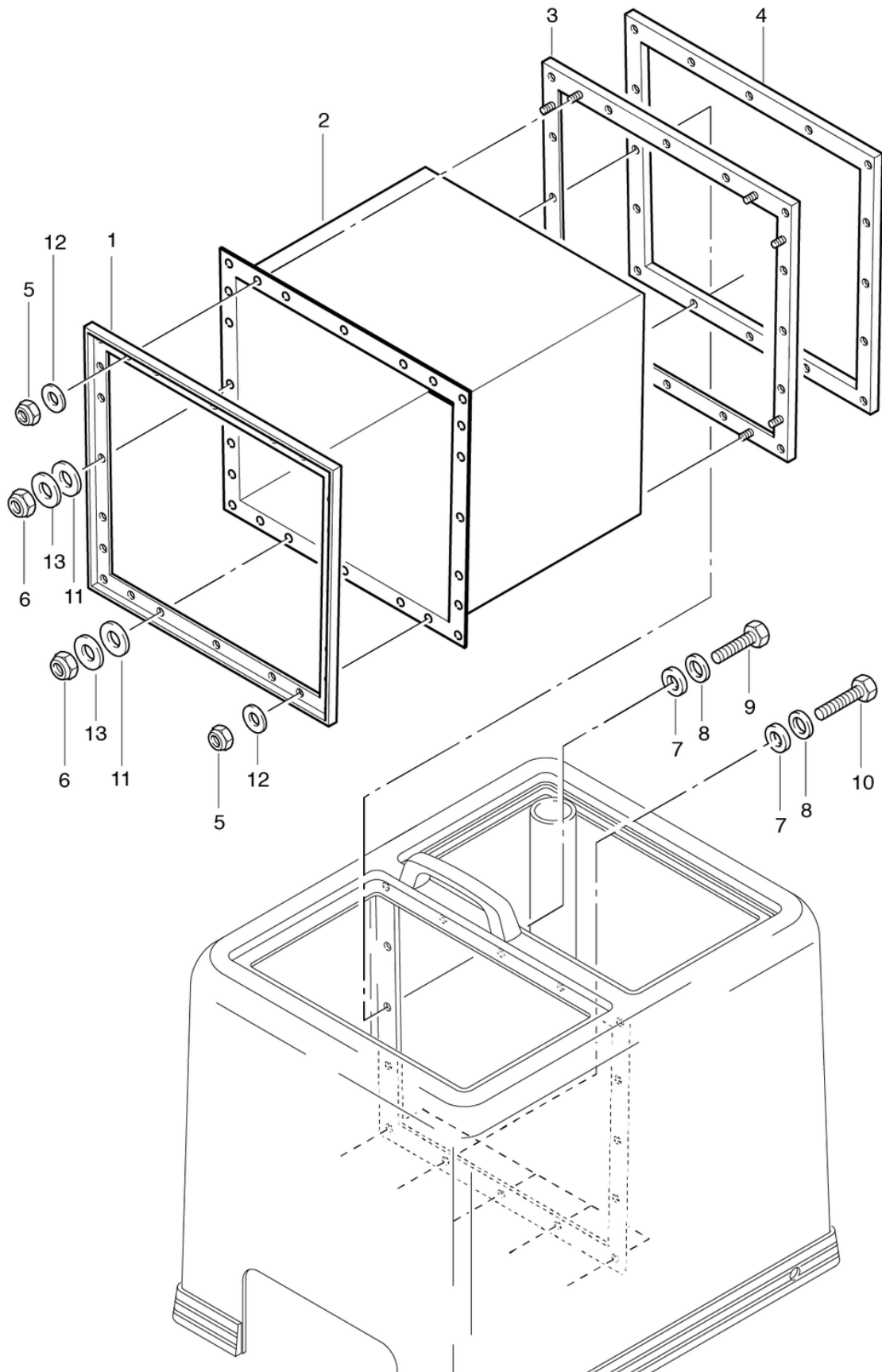
CLEANFIX TW 600

Membrane tank

PDF created on: 10.11.2023 20:10



TW 600



Pos.	Item no.	Spare part
1	060.086	Upper Frame
2	060.089	Membrane Tank
3	060.087	Lower frame
4	060.083	Seal
5	P493D	Stopp-nut DIN 985 M4 A2
6	P493G	Nut DIN 985 M5
7	060.085	Rubber shim M5
8	P497G	Washer DIN 125 A M5 5,3/10/1 A2
9	P470P	Screw DIN 931 M5 x 70 with shaft
10	P472K	Screw DIN 933 M5 x 25 A2
11	P497Q	Shim DIN 9021 M5 5,3/15/1,2 PA6.6
12	P497C	Washer DIN 9021-A M4 4,3/12/1 A2
13	P497E	Shim DIN 9021 M5 5,3/15/1,2 A2

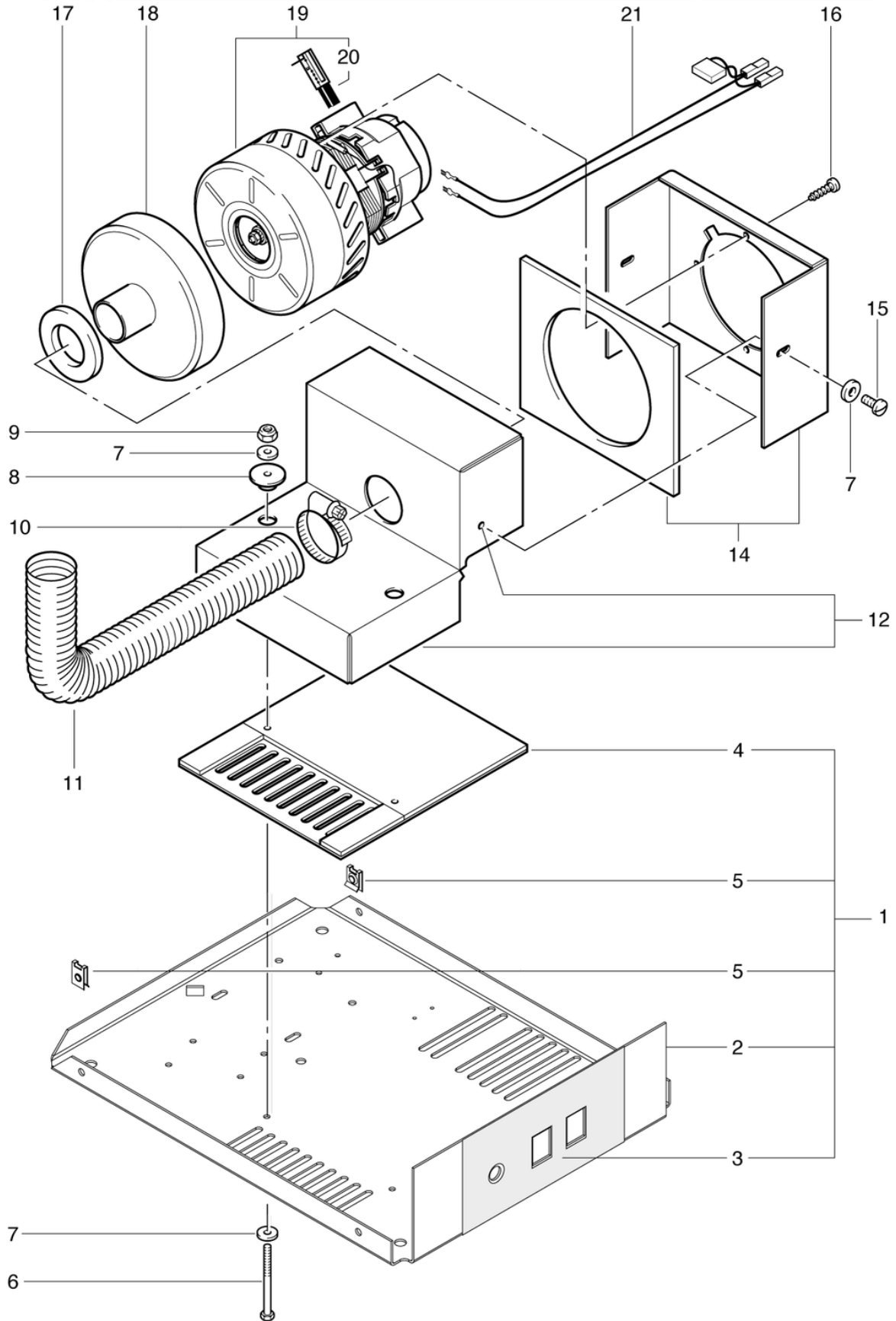
CLEANFIX TW 600

Suction motor

PDF created on: 10.11.2023 20:10



TW 600



Pos.	Item no.	Spare part
1	P180	Chassis cpl. including: Items 2-5
2	P181	Bottom plate 436/342 x 2mm
3	357	Sticker
4	P182A	Isolation plate cpl.
5	P494B	Speed nut 4.8 / 0.8 - 1.6 A3A
6	P470P	Screw DIN 931 M5 x 70 with shaft
7	P497V	Shim DIN 7349 M5 5,3/15/2
8	P208D	isolation shim 6,2/14,3/29,5mm
9	P492G	Nut DIN 985 M5 St galvanized
10	P206D	Hose clamp 32-50mm/12
11	036.412	Hose LW40 x 0.3m
12	P208G	Blower box
14	P208H	Cover with soundproofing
15	P475Q	Screw DIN 85 A M4 x 30
16	P482L	Screw DBN 1014 4,8 x 13
17	P206B	Sealing ring 60/38x 5mm
18	P206A	Suction connection cap 40/144mm
19	P870	Suction motor 230V/50Hz 1000W
20	P870KB	Carbon brushes (pair) OEP
21	022.143	Cable harness suction engine incl. interference suppression capacitor

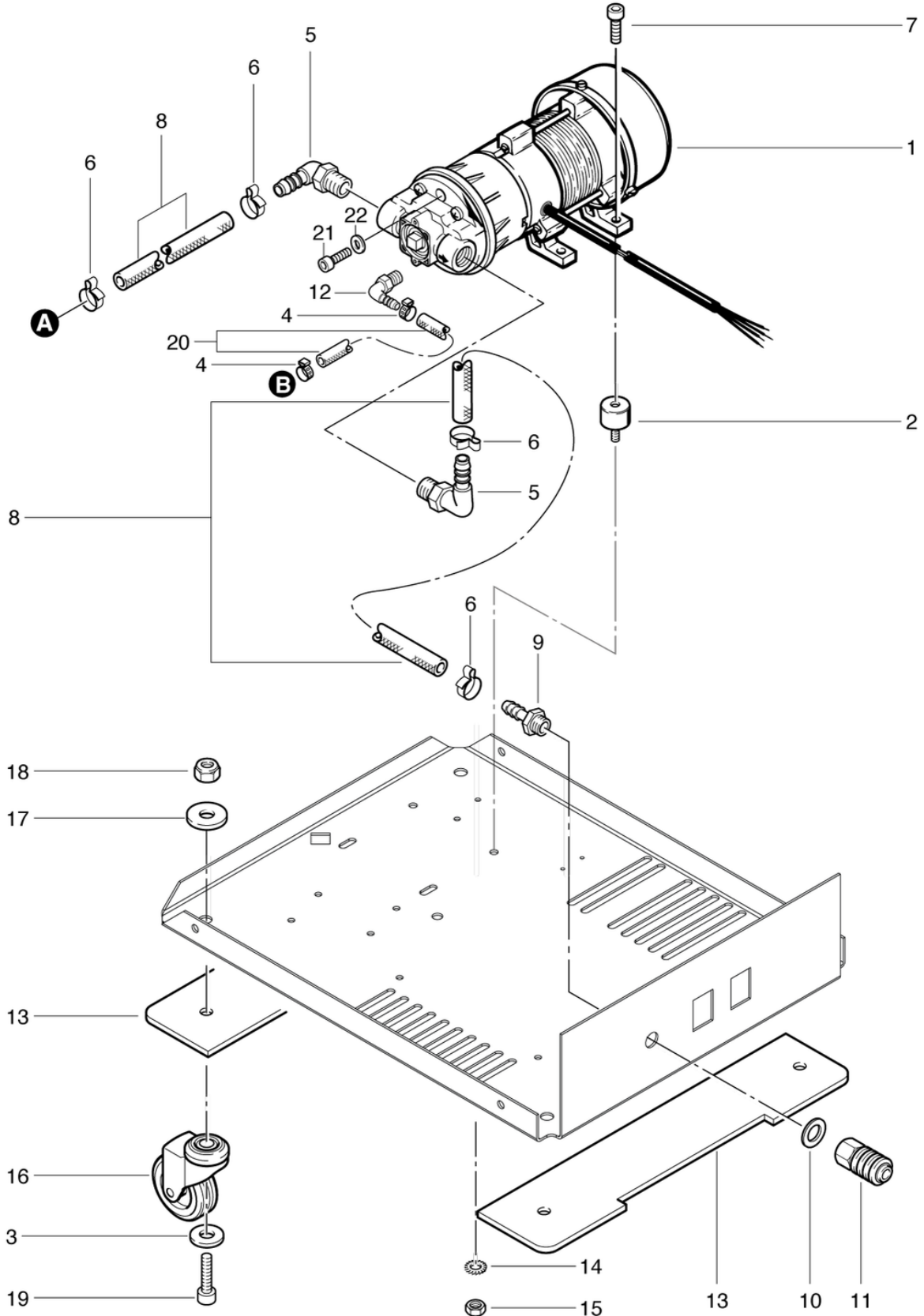
CLEANFIX TW 600

Membran pump assembling

PDF created on: 10.11.2023 20:10



TW 600



Pos.	Item no.	Spare part
1	060.230	Pump
2	060.241	Round buffer M6 x 15, ø 20 x 15, M6 female thread
3	P4980	Shim DIN 6798 A M10 10,5/18/0,9
4	P551B	Hose clamp 07.0R-1-Ohr
5	P541M	Elbow nipple WES 8 / R3 / 8
6	P550B	Hose clamp 15.7-706R
7	P486Q	Screw DIN 912 M6 x 12 A2
8	060.232	Pressure hose NW8 x 0.4m
9	P524F	Hose nipple NW8 - 1/4 AG Ms
10	P260	Shim 14/24/2 PE black
11	P500A	Plug-in coupling 1/4 IT, large brass
12	P541B	Elbow nipple WES 4 / R1 / 4
13	060.235	Reinforcement plate at the rear
14	P496L	Shim DIN 9021 M6 6,4/18/1,6
15	P493K	Nut DIN 985 M6
16	P204	Caster ø75mm
17	P496S	Washer DIN 9021 M10 10,5/30/2,5 A2
18	P492Q	Nut DIN 985 M10
19	P487HA	Screw DIN 912 M10 x 35 A2
20	060.228	Tube Ø4/6 x 0,51m
21	P488F	Screw DIN 912 M5 x 14 A2
22	P496H	Shim DIN 125 A M5 5,3/10/1

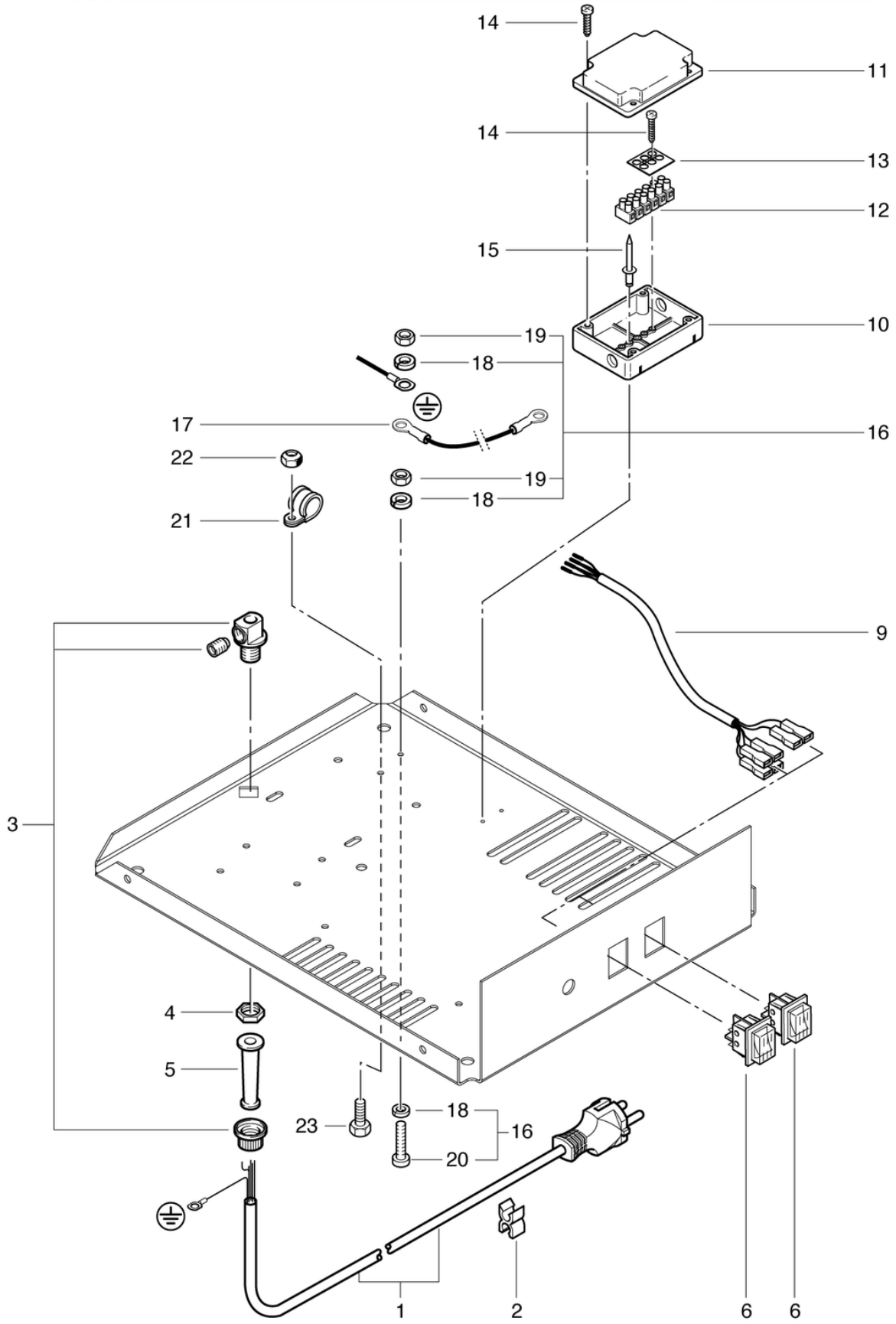
CLEANFIX TW 600

Electrical connection

PDF created on: 10.11.2023 20:10



TW 600



Pos.	Item no.	Spare part
1	65671103901	Mains cable SEV 3 x 1.5mm ² , 12.5m
2	P278	Cable - clips gray
3	P279	2-part strain relief clamp
4	P279H	Lock nut PG9 brass nickel-plated
5	P280	Cable grommet
6	P240	Rocker switch orange 230V
9	060.410	Cable harness rocker switch
10	P377	T erminial box bottom part
11	P379A	Terminal box cover
12	P383C	Screw terminal with DS 6-pol. 2.5mm ²
13	P394	Marking plate 500 BZ 3 L,N,PE
14	P516S	Screw WN 1452 K30 x 14
15	P485J	Rivet Ø 3x10
16	P388	Earthing complete
17	033.315	Grounding wire chassis 1.5mm ² , L = 0.215m
18	P498A	Ring DIN 127 B M4 4,1/7,6/0,9 CuSn
19	P491Q	Nut DIN 934 M4 brass
20	P478L	Screw DIN 84 M4 x 20 Ms
21	P281	Fixing clamp PVC CV-7
22	P492G	Nut DIN 985 M5 St galvanized
23	P470H	Screw DIN 933 M5 x 12

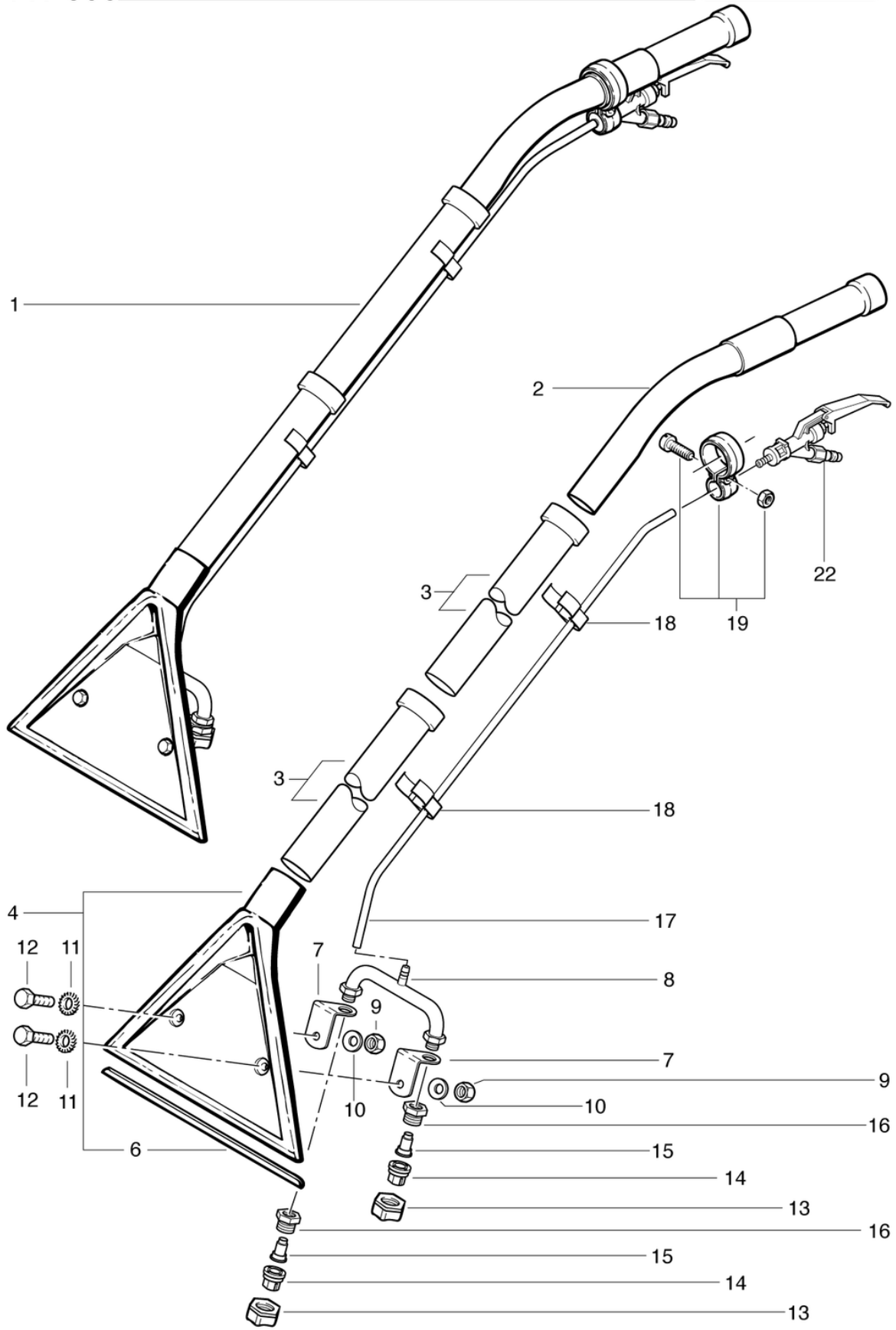
CLEANFIX TW 600

Carpet tool

PDF created on: 10.11.2023 20:10



TW 600



Pos.	Item no.	Spare part
1	602.000	Carpet adapter 2 jets, 26cm with plastic hand tube
2	P581D	Hand tube, inox
3	645.002A	Inox tube
4	602.550	Suction nozzle with two nozzles
6	P617	Carpet slide rail L=248mm
7	602.150	Mounting bracket for nozzle
8	602.110	2-nozzle pipe bracket
9	P491E	Nut DIN 934 M6 A2
10	P499H	Shim SN 212745 M6 6,4/14/1,15 A2
11	P499D	Shim DIN 6798 M6 6,4/11/0,7 A2
12	P472T	Screw DIN 933 M6 x 20 A2
13	P602D	Union nut 3/8
14	P627D	Spray nozzle 11004
15	P607E	Back pressure application
16	P535P	Threaded nipple 3/8 Ms
17	P573A	Sold by the meter, PUR spray hose ø8 / 6
18	P670	Holding clasp
19	P683	Adapter pipe clamp cpl.
22	P681	Lever valve with nozzle cpl.

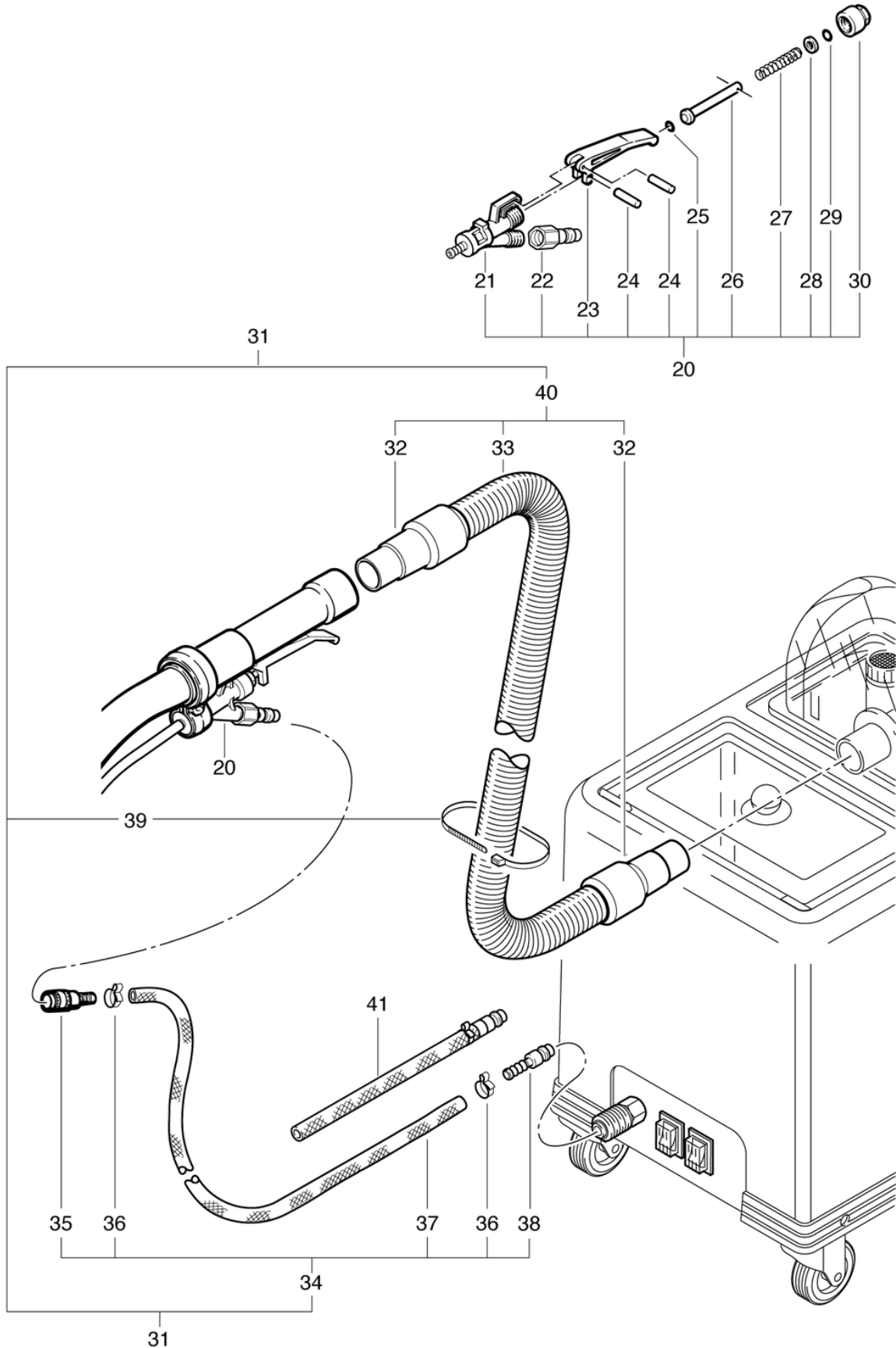
CLEANFIX TW 600

Spray and suction hose

PDF created on: 10.11.2023 20:10



TW 600



Pos.	Item no.	Spare part
20	P681	Lever valve with nozzle cpl.
21	P681A	Valve unit with nozzle
22	P501B	Coupling nipple 1/4 , large brass
23	P681C	Valve lever
24	P681K	Cylindrical pin 1,5/14,5
25	P681F	O-Ring ID5,23/2,62 NBR
26	P681D	Valve pin compl.
27	P681E	Valve spring
28	P497G	Washer DIN 125 A M5 5,3/10/1 A2
29	P681G	O-Ring ID5/2 NBR
30	P681B	Union nut
31	035.561	Spray and suction hose cpl. 3m
32	P575	Connection sleeve 32
33	P562A	Suction hose, NW32 x 3m
34	035.561Z	Spray hose 2.8m cpl.
35	900.165	Quick Connector TW401
36	P550I	Hose clamp 13.3-706R
37	035.561C	Spray hose ø 12 / 6 x 2.8m
38	P501D	Plug nipple ø12 x 46mm
39	P609	Cable tie black 4,8 x 178mm
40	035.561Y	Suction hose 3m cpl.
41	411.750	Fresh water drain hose

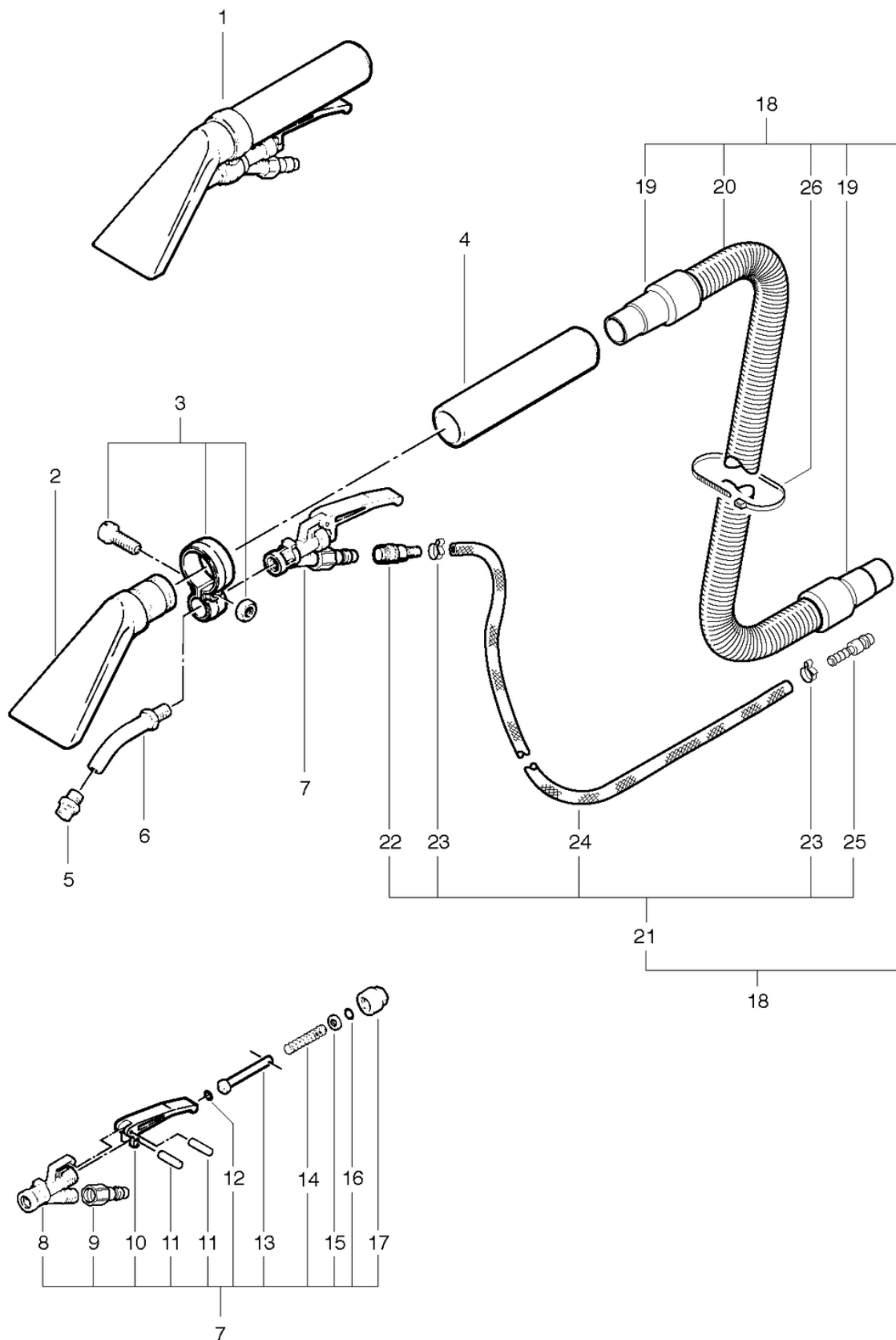
CLEANFIX TW 600

Upholstery tool

PDF created on: 10.11.2023 20:10



TW 600



Pos.	Item no.	Spare part
1	617.000	Upholstery tool 8cm, PVC, anthracite, with nozzle inside
2	617.623	Upholstery adapter 8cm anthracite gray, cpl. processed
3	P683	Adapter pipe clamp cpl.
4	617.624	Anthracite gray tube
5	P627	Flat jet nozzle
6	617.625	Nozzle pipe
7	P680	Lever valve cpl. with core hole
8	P680A	Valve unit with 1/8 thread
9	P501B	Coupling nipple 1/4 , large brass
10	P681C	Valve lever
11	P681K	Cylindrical pin 1,5/14,5
12	P681F	O-Ring ID5,23/2,62 NBR
13	P681D	Valve pin compl.
14	P681E	Valve spring
15	P497G	Washer DIN 125 A M5 5,3/10/1 A2
16	P681G	O-Ring ID5/2 NBR
17	P681B	Union nut
18	035.561	Spray and suction hose cpl. 3m
19	P575	Connection sleeve 32
20	P562A	Suction hose, NW32 x 3m
21	041.701	Pressure Hose
22	900.165	Quick Connector TW401
23	P550I	Hose clamp 13.3-706R
24	P566E	Pressure hose Žŷ 6/12x3200 mm
25	P501D	Plug nipple ø12 x 46mm
26	P609	Cable tie black 4,8 x 178mm

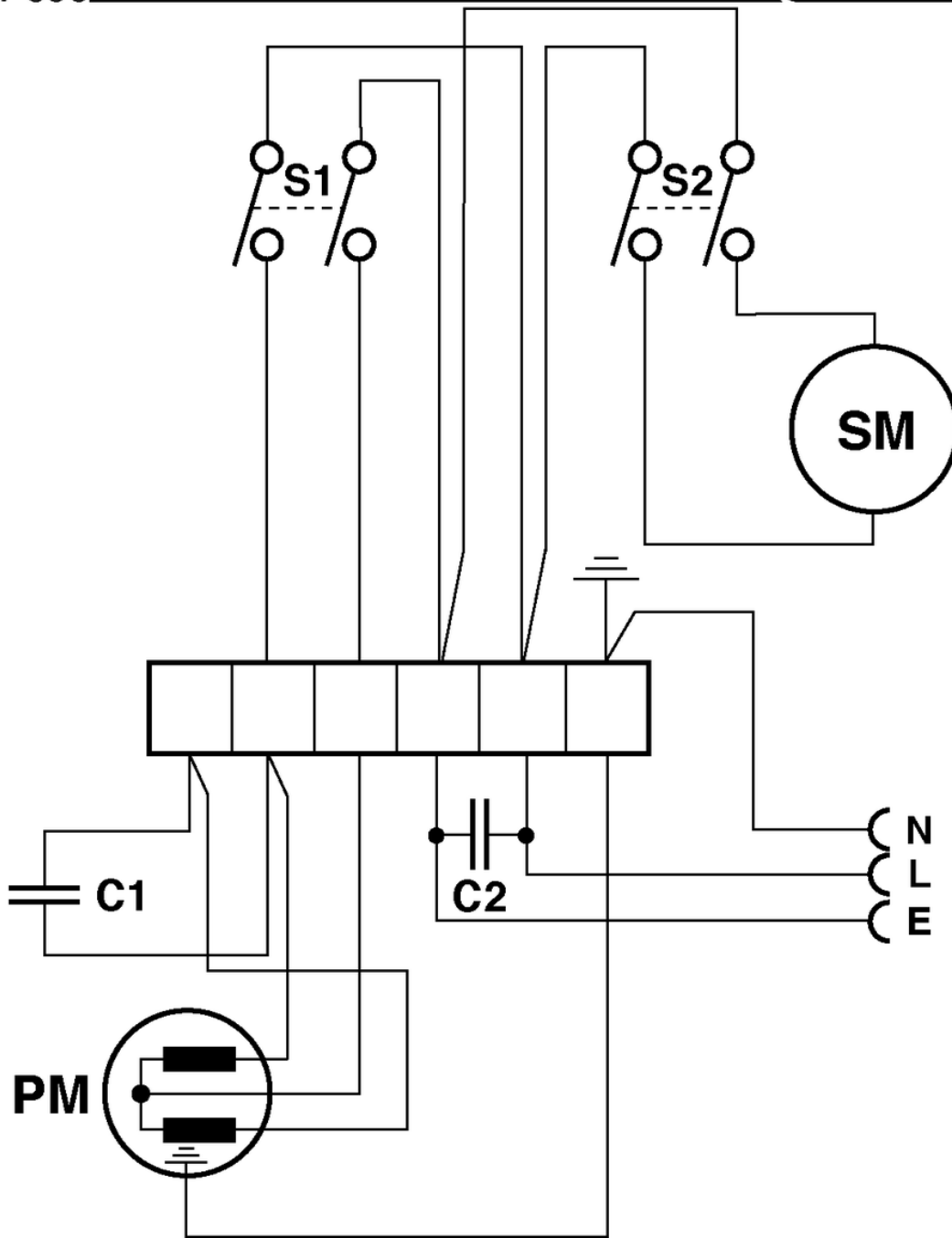
CLEANFIX TW 600

Wiring diagram

PDF created on: 10.11.2023 20:10



TW 600



- S1 = Schalter-Pumpe / Interrupteur pour pompe / Main switch for pump
- S2 = Schalter-Saugmotor / Interrupteur pour moteur d'aspiration / Main switch for vacuum motor
- C1 = Betriebskondensator / Capacitor / Capaciteur
- C2 = Entstörkondensator / Condensateur / Capacitor
- PM = Pumpe / Pompe / Pump
- SM = Saugmotor / Moteur d'aspiration / Suction motor