

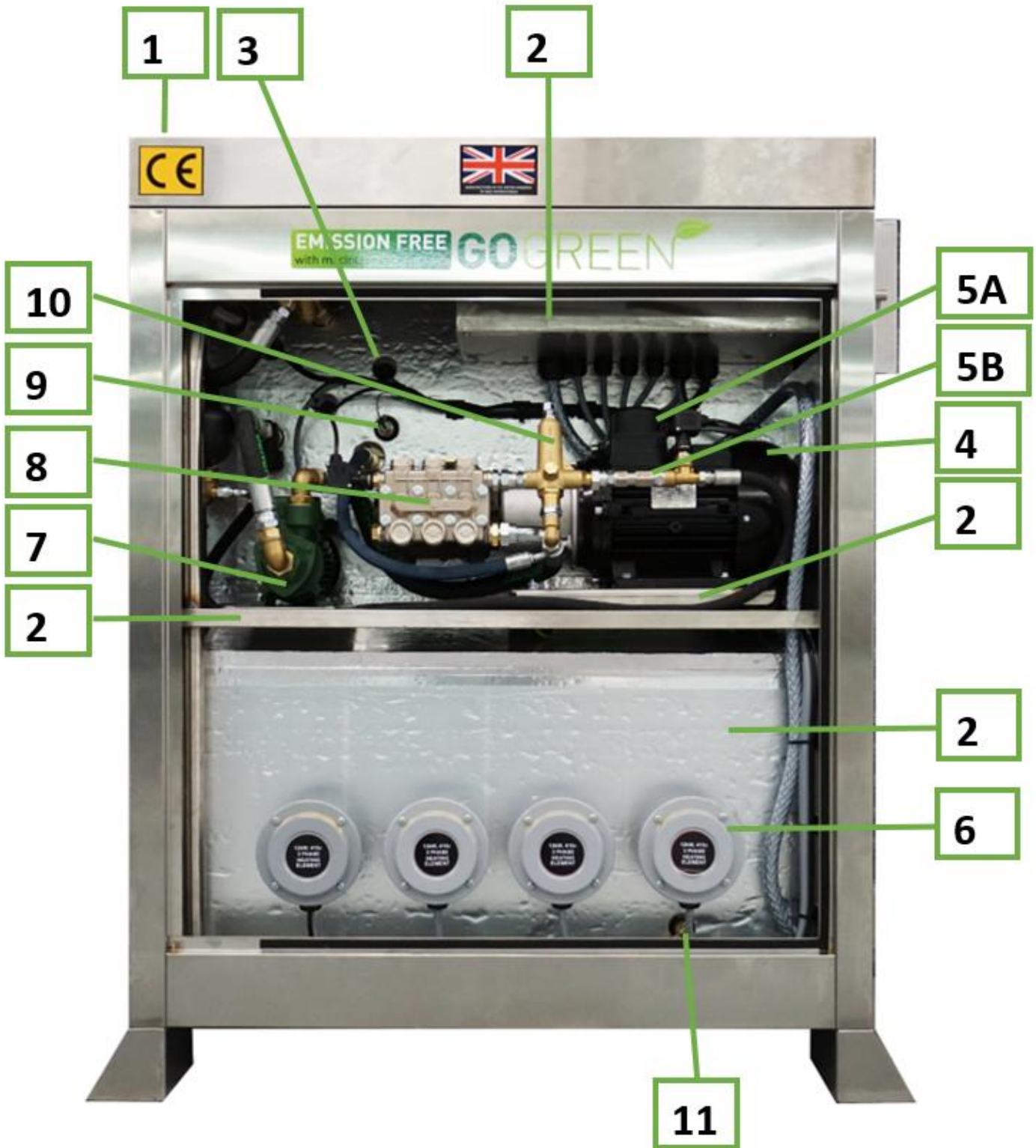
SPARE PARTS LIST

MAC PLANTMASTER ELECTRIC ELECTRICALLY HEATED HOT STATIC PRESSURE WASHER



MAC International, Kellaw Road, Yarm Road Industrial Estate,
Darlington, Co Durham, DL1 4YA.

TAV1:



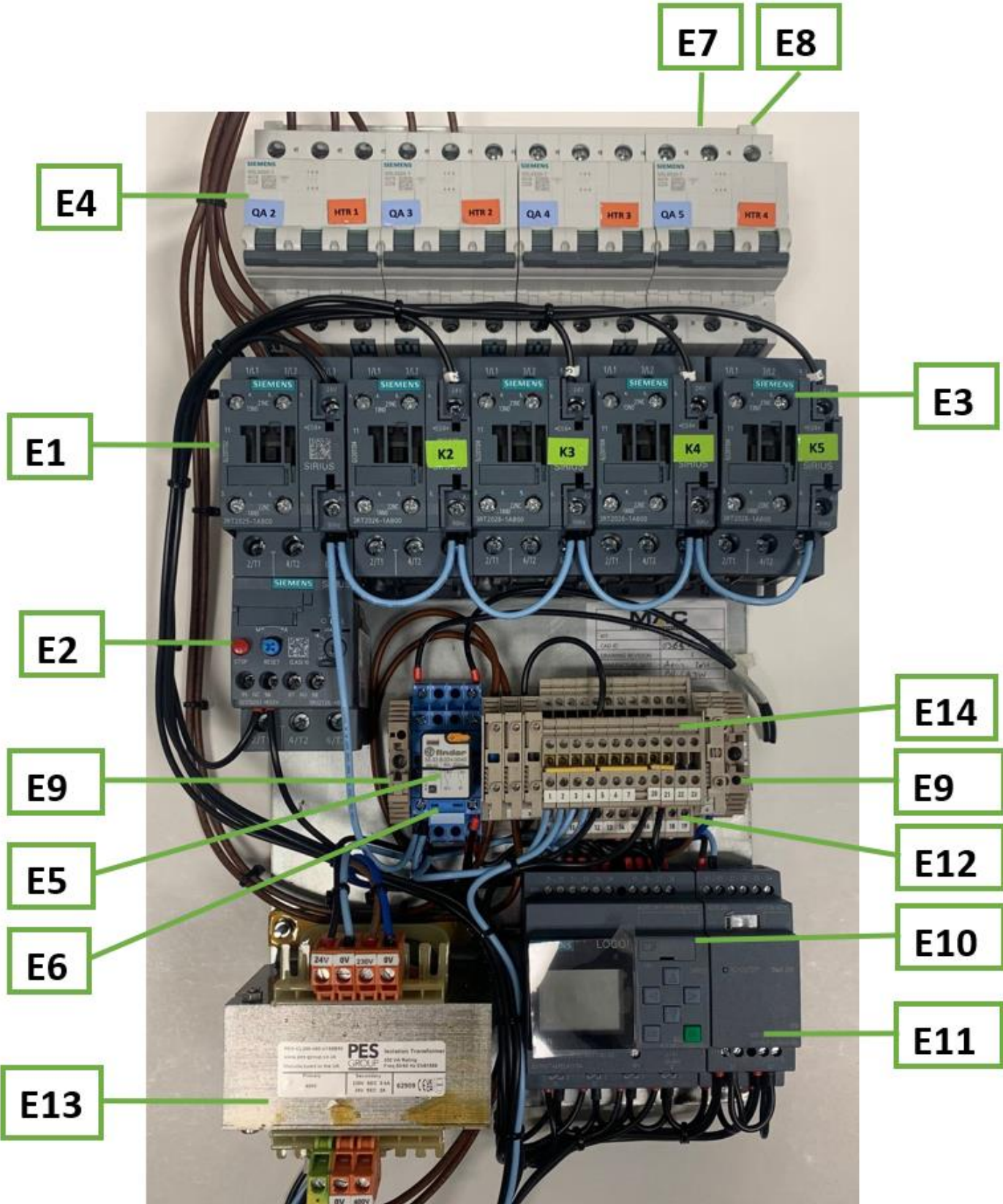
48KW MODEL SHOWN ABOVE

POSITION	CODE	DESCRIPTION	QUANTITY
1	CAB-ELECTRA-PC	OUTER CABINET	1
2	SUBASS-ELECTRA	STAINLESS STEEL FRAME	1
		STAINLESS STEEL HOT WATER TANK	1
		STAINLESS STEEL HOT WATER TANK LID	1
		ELECTRICAL BOX	1
		OVERFLOW PIPE	1
		MOTOR PLATE	1
3	701 880 951	LOW WATER LEVEL SWITCH	3
4	NIC5575S	MOTOR 5.5 KW MALE SHAFT	1
	9002101/ MOTOR17	MOTOR 3 KW MALE SHAFT (OPTION)	1
5A	PRESSURESWITCH3	PRESSURE SWITCH	1 ONLY USED ON THE AUTO MODEL
5B	794-8404	NON-RETURN VALVE	1 ONLY USED ON THE AUTO MODEL
6	5SL-4320-7	12 KW HEATING ELEMENTS	4 48KW MODEL SHOWN HERE
7	100050001	BOOSTER PUMP	1 AVAILABLE ON THE 15KW AND 18KW MODELS
8	VHT6313	13 LPM HOT WATER PUMP	1
	VHT6311	11 LPM HOT WATER PUMP (OPTION)	1
9	124-1060	TEMPERATURE SENSOR	1
	494-1040	TEMP STAT PROBE HOUSING	1
10	K5.1	UNLOADER VALVE K SERIES	1
	40.000.003	UNLOADER VALVE VB9 (OPTION)	1
11	½ Drain Cock	DRAIN TAP	1
-	ZG044	DRIVE COUPLING	1
-	ZF044	DRIVE COUPLING FLANGE	1
-	AS1209	BLANKING PLUGS	2
-	GSBT3434	HOSE TAIL WATER INLET	1
-	GSBT3434	HOSE TAIL WATER RETURN	1
-	-	HOSE – HOT WATER TANK TO PUMP	1
-	S/M-40-2W-3/8-BLUE	HOSE – BYPASS RETURN	1
-	S/M-60-2W-3/8-BLUE	HOSE – HIGH PRESSURE OUTLET	1
-	-	HOSE – COLD WATER INLET	1



POSITION	CODE	DESCRIPTION	QUANTITY
1	ZB4BD8	OFF / ON SWITCH 3 POS SPRING RETURN	1
2A	70.000.016	POWER ON LAMP - GREEN	1
2B	70.000.216	LOW WATER LAMP - RED	1
2C	70.000.116	HEATING ELEMENT ON LAMP - ORANGE	1
3	ZB4 BD2	OFF / ON SWITCH 2 POS	1
4	124-1060	WATER TEMPERATURE DISPLAY UNIT	1
5	-	CONTROL PANEL DECAL	1

TAV3:



POSITION	CODE	DESCRIPTION	QUANTITY
E1	3RT20251AB00	SIEMENS CONTACTOR 7.5KW	1
E2	3RU21264BB0	SIEMENS 14/20A OVERLOAD	1
E3	3RT20261AB00	SIEMENS CONTACTOR11KW	4
E4	5SLA 320-7	SIEMENS C20 MCB	4
E5	70.000.054	FINDER RELAY 11 PIN	1
E6	70.000.055	FINDER RELAY 11 PIN BASE	1
E7	31102	3PH BUSBAR	0.3
E8	31027	3PH BUSBAR ENDCAP	2
E9	WEW 35/2	WEIDMULLER DIN TERMINALS END STOP	2
E10	6ED10521HB080BA1	SIEMENS LOGO PLC MODULE	1
E11	6ED10551HB000BA2	SIEMENS LOGO PLC 4 MODULE ADDON	1
E12	WSI 6	WEIDMULLER DIN FUSEHOLDER	3
E13	PES50.230.400.024	50VA 400/230/24V TRANSFORMER	1
E14	WDK2.5	WEIDMULLER DIN TERMINALS	19

