

CLEANFIX RA 505 IBCT VDE

Contents

PDF created on: 10.11.2023 19:36



RA 505 IBCT

Montage Griff und Tanks
Montage de la poignée et des réservoirs
Mounting handle and tanks

B 7 / ST 7

Steuereinheit
Unité de contrôle
Control unit

B 6 / ST 6

Option Chemiedosierung
Option dosage chimique
Option chemical dosing

B 19 / ST 19

Schmutzwassertank
Recipient d'eau sale
Waste water tank

B 2 / ST 2

Batterie
Batterie
Battery

B 4 / ST 4

Saugdüse gebogen
Suceur concave
Suction nozzle curved

B 16 / ST 16

B 16a / ST 16a

B 16b / ST 16b

Saugdüsenaufhängung
Suspension de suceur
Suction nozzle suspension

B 15 / ST 15 - B 15a / ST 15a

Wasserverteilung
Distribution d'eau
Water distribution

B 11 / ST 11 - B 11a / ST 11 a

Pumpe NDS-X
Pompe NDS-X
Pump NDS-X

B 12 / ST 12

Hubmechanik
Mécanisme de levage
Cam mechanic

B 5 / ST 5

Schlauchsystem
Système de tuyau
Hose system

B 17 / ST 17 - B 17a / ST 17a

Schlauchsystem-Dosierung
Dosage du système de tuyau
Dosing hose system

B 18 / ST 18 - B 18a / ST 18a

Gebläsekasten
Boîte de moteur d'aspiration
Vacuum motor box

B 8 / ST 8

Steuerung Gebläse
Unité de contrôle moteur d'aspiration
Control unit vacuum motor

B 9 / ST 9

Steuerung
Contrôle
Control

B 10 / ST 10 - B 10a / ST 10a

Deckel Schmutzwassertank
Couvercle waster
Cover waste water tank

B 3 / ST 3

Frischwassertank
Recipient d'eau propre
Fresh water tank

B 1 / ST 1

Bürstkopf einfach
Tête de brosse suffit
Brush head simply

B 13 / ST 13

Montage Fahrwerk-Bürstkopf
Montage de la tête de brosse du châssis
Chassis brush head assembly

B 14 / ST 14

Stromlaufplan
Diagramme électrique
Wiring diagram

B 20

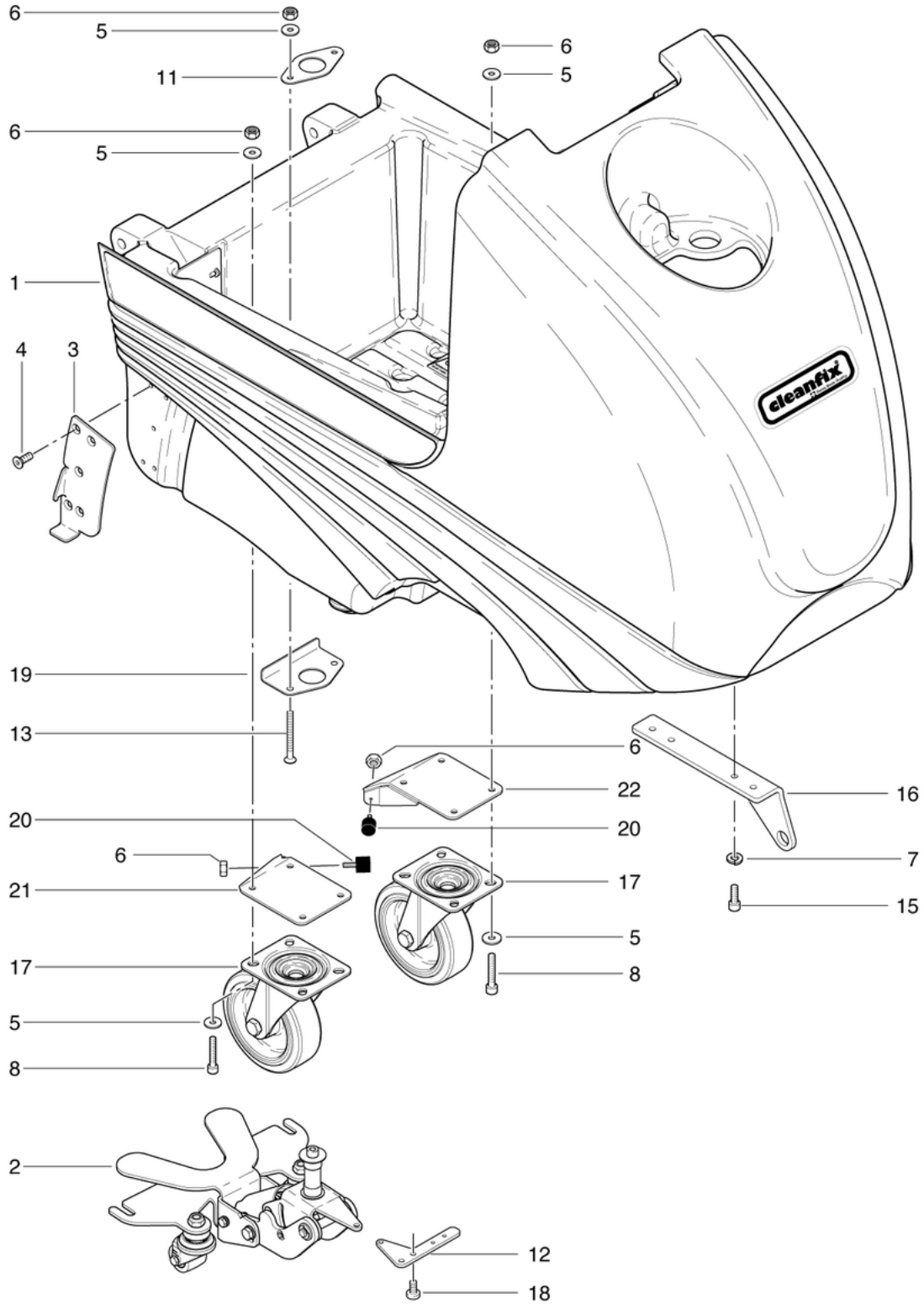
CLEANFIX RA 505 IBCT VDE

Fresh water tank

PDF created on: 10.11.2023 19:36



RA 605 IBCT



| Pos. | Item no. | Spare part |
|-------------|-----------------|---|
| 1 | 565.455 | Tank |
| 2 | 565.520 | Suction nozzle suspension cpl. |
| 3 | 565.458 | Plate |
| 4 | P480K | Screw DIN 7991 M6 x 10 |
| 5 | P497H | Washer DIN 9021 M6 6,4/18/1,6 A2 |
| 6 | P493K | Nut DIN 985 M6 |
| 7 | P498U | Ring DIN 127 B M6 6,1/11,8/1,6 A2 |
| 8 | P488U | Screw DIN 912 M6 x 45 A2K with shaft |
| 11 | 565.459 | Clamp Plate |
| 12 | 565.460 | Penholder |
| 13 | P479NB | Screw DIN 7991 M6 x 60 |
| 15 | P486X | Screw DIN 912 M6 x 22 |
| 16 | 565.462 | Holder strip on the left |
| 17 | 565.442 | Castors 125 x 38mm |
| 18 | P481Z | Screw DIN 7985 M5 x 10 A2 |
| 19 | 565.465A | Retainer sheet rust-free |
| 20 | 060.241 | Round buffer M6 x 15, \varnothing 20 x 15, M6 female thread |
| 21 | 565.475 | Right plate |
| 22 | 565.476 | Left plate |

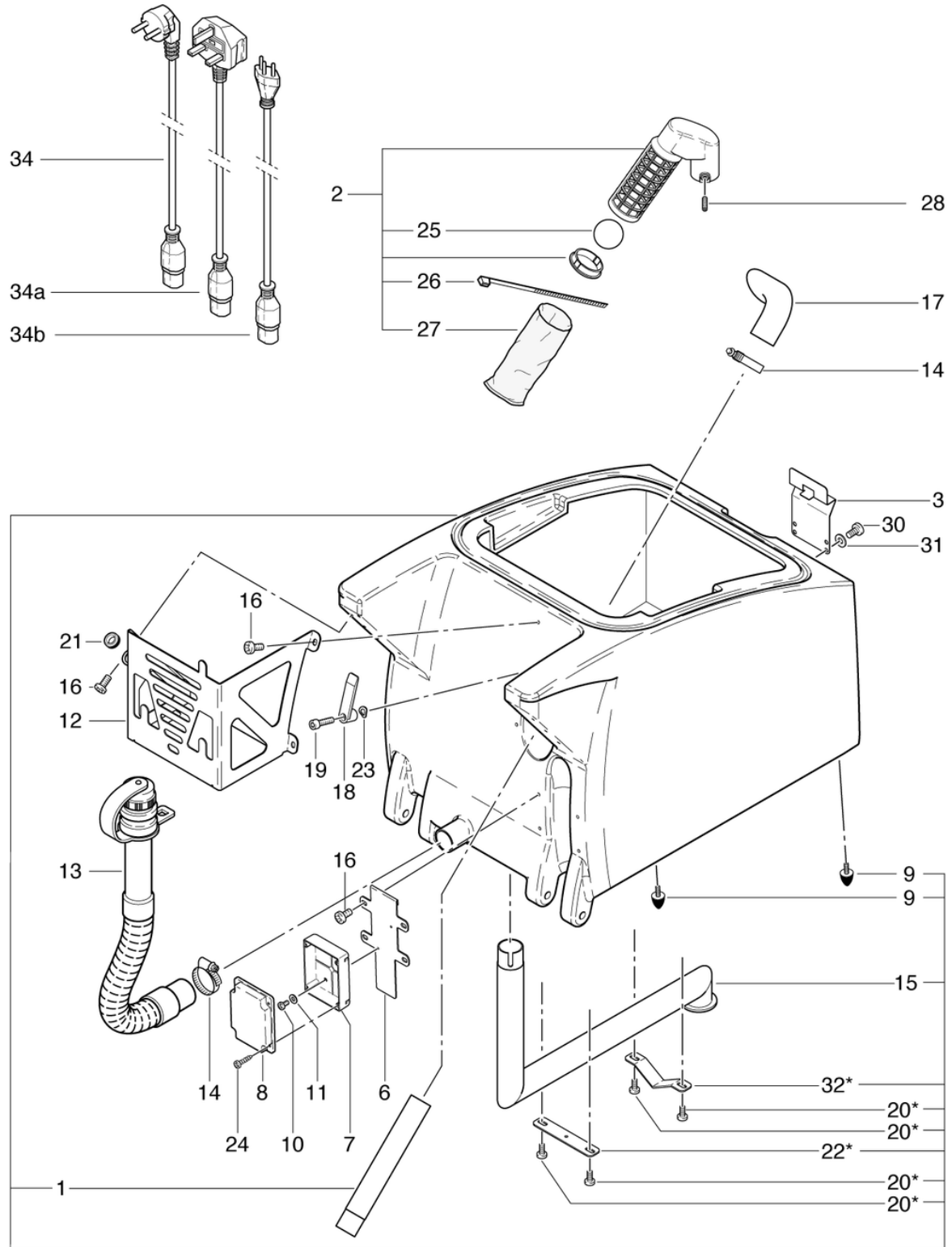
CLEANFIX RA 505 IBCT VDE

Waste water tank

PDF created on: 10.11.2023 19:36



RA 505/605 IBC/IBCT



5a | 5b

* ab Masch.-Nr. / from machine no. / de no. de la machine **9151.000**

| Pos. | Item no. | Spare part |
|-------------|-----------------|---|
| 1 | 432.206 | Suction pipe for blower aluminum $\varnothing 34 / 30 \times 230$ |
| 2 | 432.300 | Float Basket Complete |
| 3 | 565.661 | Rack Element |
| 5a | 565.670 | Waste water tank red incl. suction tube |
| 5b | 565.6700 | Waste water tank anthracite incl. suction tube |
| 6 | 565.668 | Cable holder |
| 7 | P379F | Terminal box lower part RA505 / RA605 |
| 8 | P379A | Terminal box cover |
| 9 | P172E | Parabola buffer M6 x 8, $\varnothing 20 \times 24$ mm |
| 10 | P481M | Screw DIN 7985 M4 x 10 A2 |
| 11 | P496D | Shim DIN 125 A M4 4,3/9/0,8 |
| 12 | 565.665 | Storage basket |
| 13 | P561 | Drain hose with crimp sleeve 0.63m |
| 14 | P206F | Screw thread clamp 25 - 40mm SW7 |
| 15 | 565.666 | Intake Tube |
| 16 | P476P | Screw DIN 7985 M6 x 12 |
| 17 | 565.662 | Rubber Bend |
| 18 | P087A | Catch for cable black |
| 19 | P488V | Screw DIN 912 M8 x 30 A2K |
| 20 | P476AC | Screw DIN 7985 M5 x 8 |
| 21 | P207A | Grommet |
| 22 | 565.676 | Holding plate |
| 23 | P499AB | Shim DIN 137 B M8 8,4/15/1,5 A2 |
| 24 | P516S | Screw WN 1452 K30 x 14 |
| 25 | 432.304 | Ball $\varnothing 45$ mm |
| 26 | P609B | Cable tie weatherproof- 3,5 x 200 |
| 27 | 432.315 | Filter Bag |
| 28 | P513L | Pin DIN 913 M6 x 10 St galvanized |
| 30 | P476Q | Screw DIN 7985 M6 x 10 |
| 31 | P496K | Shim DIN 125 A M6 6,4/12/1,6 |
| 32 | 565.675 | Tube holder |
| 34a | 436.792 | Connection cable GB 3 x 1,00mm ² , black |
| 34b | 436.791 | Cable SEV 3 x 1,00mm ² , black, 2.50m |
| 34 | 436.790 | Main cable VDE 3 x 1.00mm ² , black |

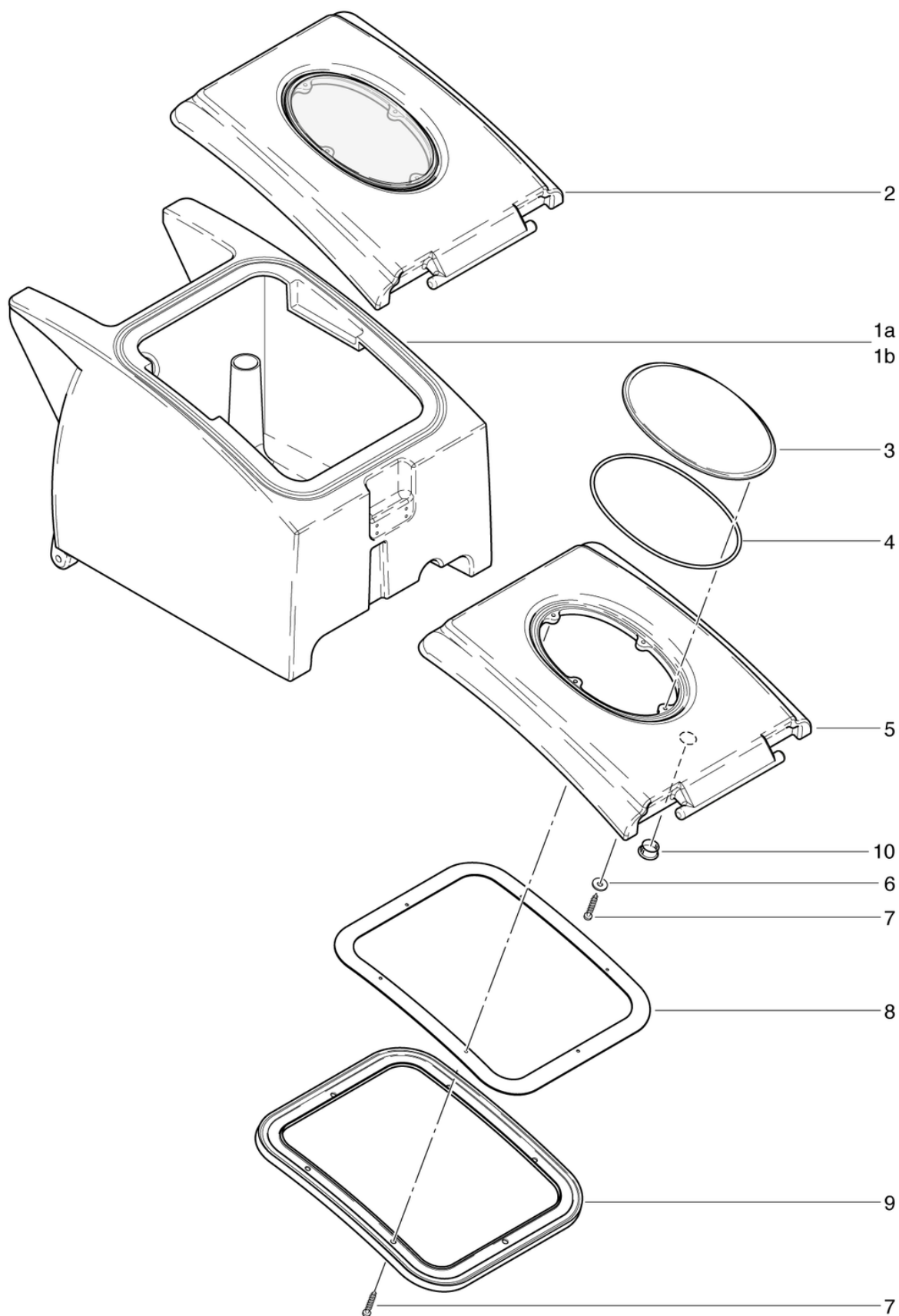
CLEANFIX RA 505 IBCT VDE

Cover waste water tank

PDF created on: 10.11.2023 19:36



RA 505/605 IBC/IBCT



| Pos. | Item no. | Spare part |
|-------------|-----------------|--|
| 1a | 565.670 | Waste water tank red incl. suction tube |
| 1b | 565.6700 | Waste water tank anthracite incl. suction tube |
| 2 | 565.120 | Cover of dirty water tank |
| 3 | 565.121 | Inspection Glass |
| 4 | 565.122 | Rope Seal |
| 5 | 565.123 | Tank Lid Complete RA605 |
| 7 | P483L | Screw DIN 7981 C 4,2 x 25 |
| 8 | 565.124A | Stainless steel carrier plate |
| 9 | 565.125 | Seal to cover |
| 10 | P171L | Cover black ø15,9/18,2 x 10,3 |

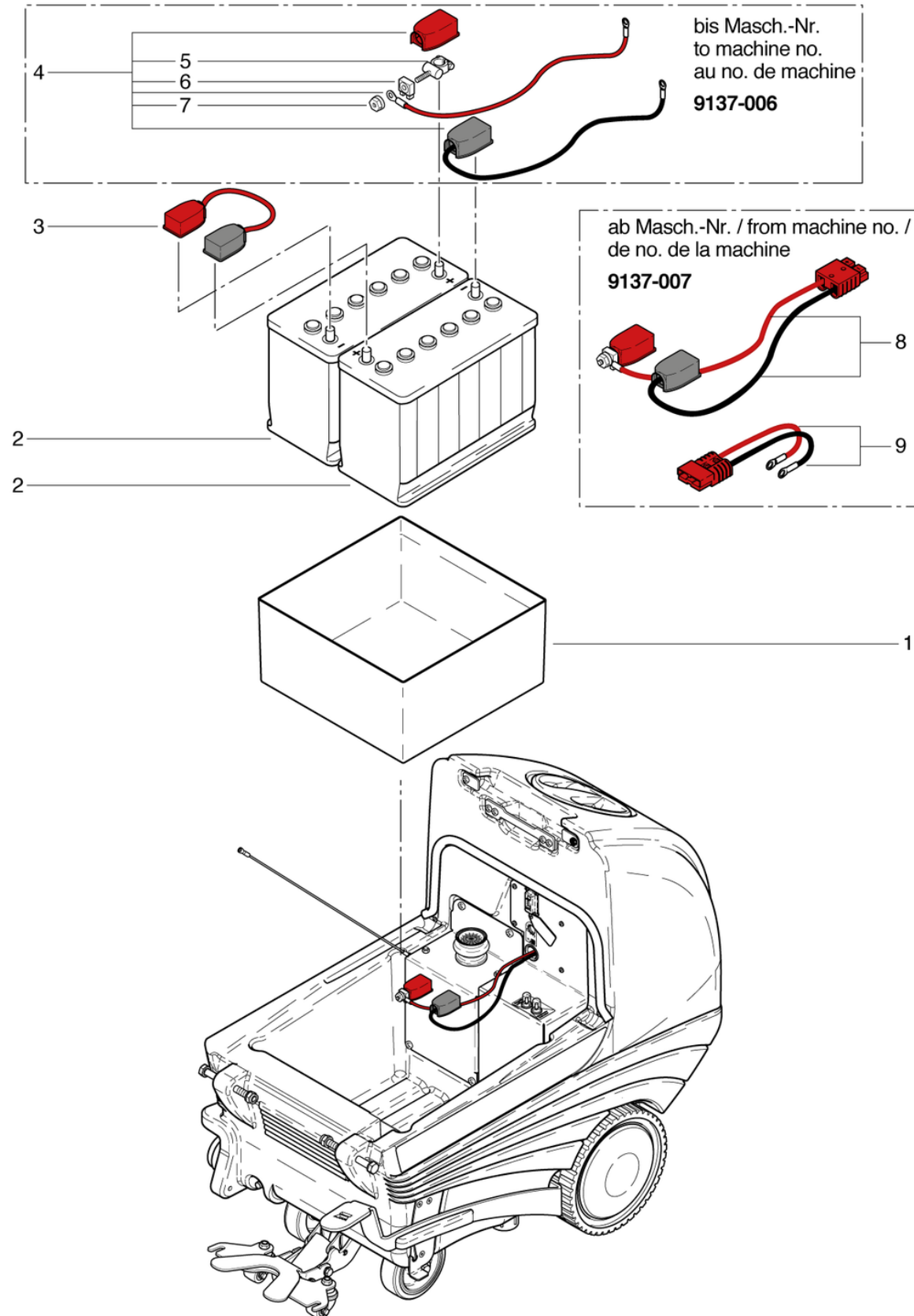
CLEANFIX RA 505 IBCT VDE

Batterie

PDF created on: 10.11.2023 19:36



RA 505/605 IBC/IBCT



| Pos. | Item no. | Spare part |
|-------------|-----------------|---|
| 1 | 565.494 | Drain tray |
| 2 | 530.091 | Set of Gel batteries 2x12V / 105 Ah |
| 3 | 436.985 | Battery connection wire 10mm ² , L = 0.16m |
| 4 | 565.259 | Battery cable tree of cpl. |
| 5 | P357E | Battery clamp 1 pole |
| 6 | 560.710 | Fuse CF8, 75A |
| 7 | 710.353 | Insulating Nut |
| 8 | 436.983 | Battery Cable Tree |
| 9 | 565.255 | Battery charging cable |

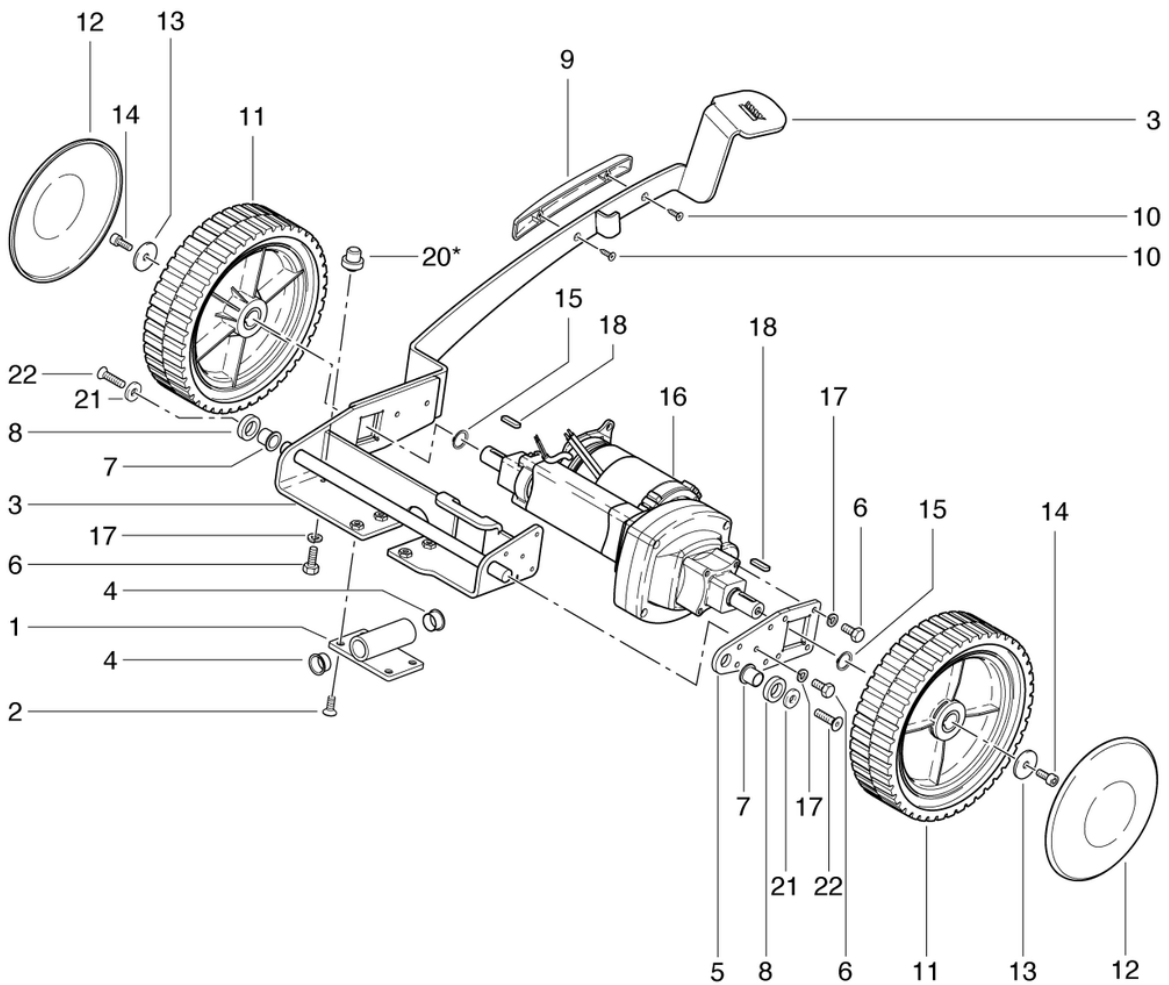
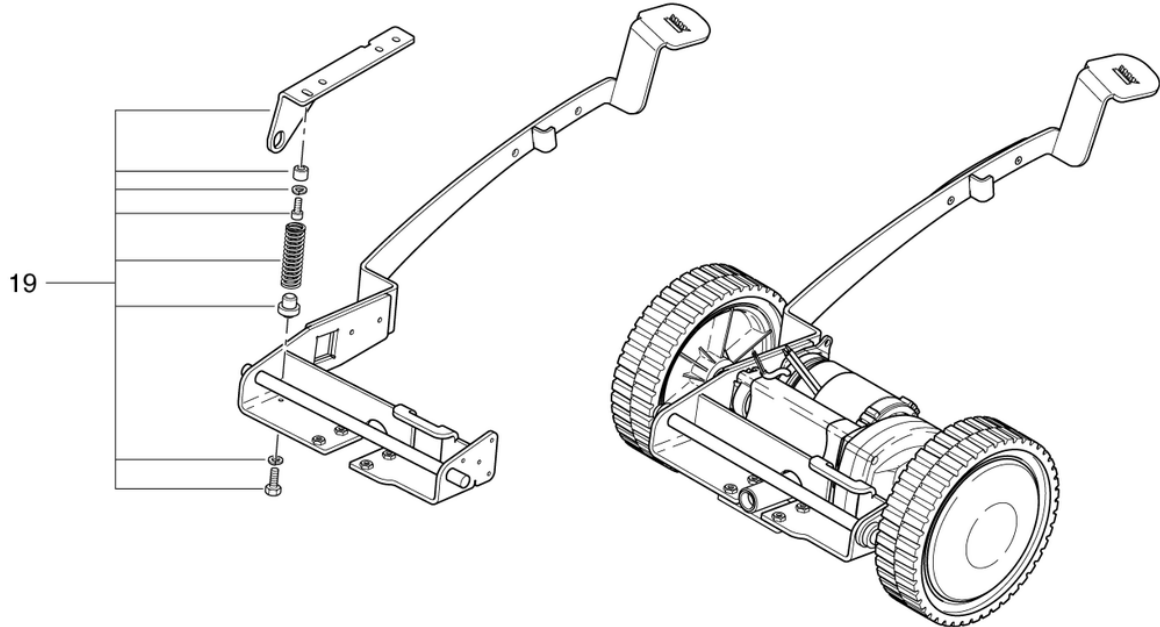
CLEANFIX RA 505 IBCT VDE

Lift mechanic

PDF created on: 10.11.2023 19:36



RA 505/605 IBCT



* ab Masch.-Nr. / from machine no. / de no. de la machine
9137-005

| Pos. | Item no. | Spare part |
|-------------|-----------------|---|
| 1 | 565.249 | Support |
| 2 | P479RA | Screw DIN 7991 M8 x 20 |
| 3 | 565.245 | Cam Mechanic |
| 4 | P316E | Plain bearing with collar GFM-2021-20 |
| 5 | 565.250 | Support Diagonal |
| 6 | P470RA | Screw ISO4017 M6 x 14 A2 |
| 8 | 565.247 | Distance ring $\varnothing 30$ / 18.3 x 7 |
| 9 | 565.246 | bounce protection |
| 10 | P516GA | Screw WN 1423 K40 x 16 |
| 11 | 565.261 | IBCT impeller with wedge band |
| 12 | 530.242 | Wheel Cover Red |
| 13 | P496PA | Washer DIN 522 M8 8,4/35/2,5 |
| 14 | P471E | Screw DIN 933 M8 x 20 A2 |
| 15 | P499K | Ring DIN 471 20/1,2 |
| 16 | 565.251 | Traction Drive Motor |
| 17 | P498U | Ring DIN 127 B M6 6,1/11,8/1,6 A2 |
| 18 | P474I | Wedge DIN 6885 A 6/6/25 |
| 19 | 565.559 | Remounting Set |
| 20 | 565.557 | Retaining pin |
| 21 | P500T | Shim SN 213912 M8 25/4,8 A2 |

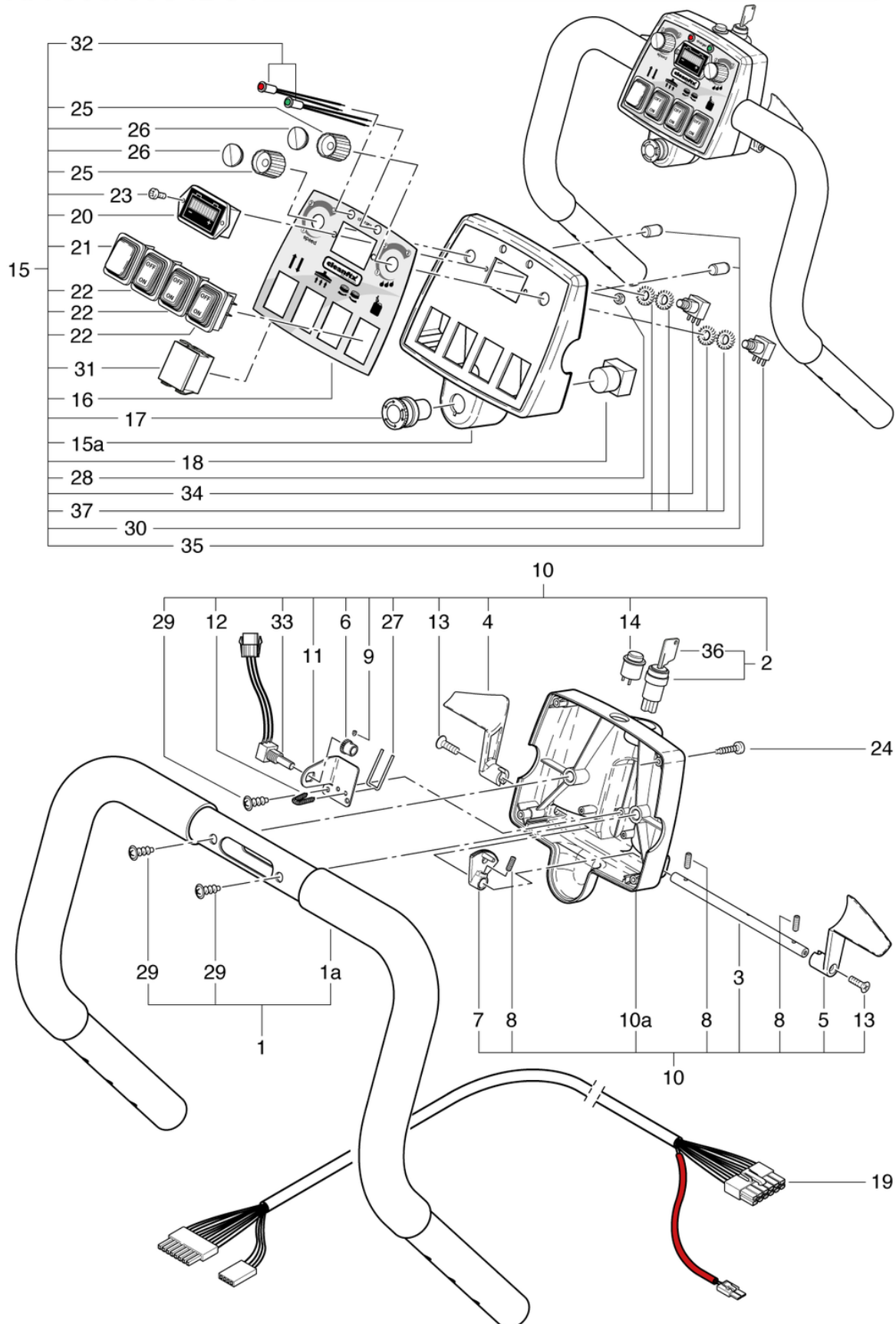
CLEANFIX RA 505 IBCT VDE

Control unit

PDF created on: 10.11.2023 19:36



RA 505/605 IBCT



| Pos. | Item no. | Spare part |
|-------------|-----------------|---|
| 1a | 565.211 | Binder |
| 1 | 565.215 | bumper bar |
| 2 | 565.219 | Key switch including connection wires |
| 3 | 565.231 | Axle Bar |
| 4 | 701.224 | Start Lever Left |
| 5 | 701.223 | Start Lever Right |
| 6 | 565.232 | Upper bevel wheel |
| 7 | 565.234 | Lower bevel wheel |
| 8 | P484DA | Screw DIN 427 M4 x 8 |
| 9 | P482Y | Pin DIN 916 M3 x 4 A2 |
| 10a | 565.230 | Rear Panel |
| 10 | 565.225 | Panel lower part |
| 11 | 565.235 | Holder |
| 12 | 565.233 | Extension spring RZ-021BI 0,32/3,52/17,12 |
| 13 | P479B | Screw DIN 965 M4 x 10 A2 |
| 14 | P242B | Pushbutton |
| 15a | 565.226 | Panel upper part |
| 15 | 565.224 | Panel upper part |
| 16 | 565.227 | Cover plate for panel IBCT |
| 17 | 565.229 | Emergency Stop Switch |
| 18 | 565.228 | Switch Holder |
| 19 | 565.238 | Cable Harness |
| 20 | 800.708 | Battery Indicator |
| 21 | P239 | Rocker switch 24Volt |
| 22 | P241 | Rocker switch white 24V |
| 23 | P476O | Screw ISO DIN 7380 M3 x 8 A2K |
| 24 | P516E | Screw WN 1451 K30 x 20 |
| 25 | 560.372 | Rotary Button |
| 26 | 560.373 | Knob Cover |
| 27 | 565.223 | Agraffe |
| 28 | P490A | Nut DIN 934 M3 |
| 29 | P515W | Screw WN 1451 K40 x 8 |
| 30 | P514I | Brad ISO 2338 8 x 16 St vz |
| 31 | P171F | Bottom studs black rectangular 35 x 25 mm |
| 32 | P415 | Set LED red, green 2.1 V, Ø 5 mm |
| 33 | 565.237 | Potentiometer |
| 34 | 565.213 | Potentiometer |
| 35 | 565.119 | Potentiometer 5 kOhm worked |
| 36 | P244B | Spare key (1 pc.) |
| 37 | P498O | Shim DIN 6798 A M10 10,5/18/0,9 |

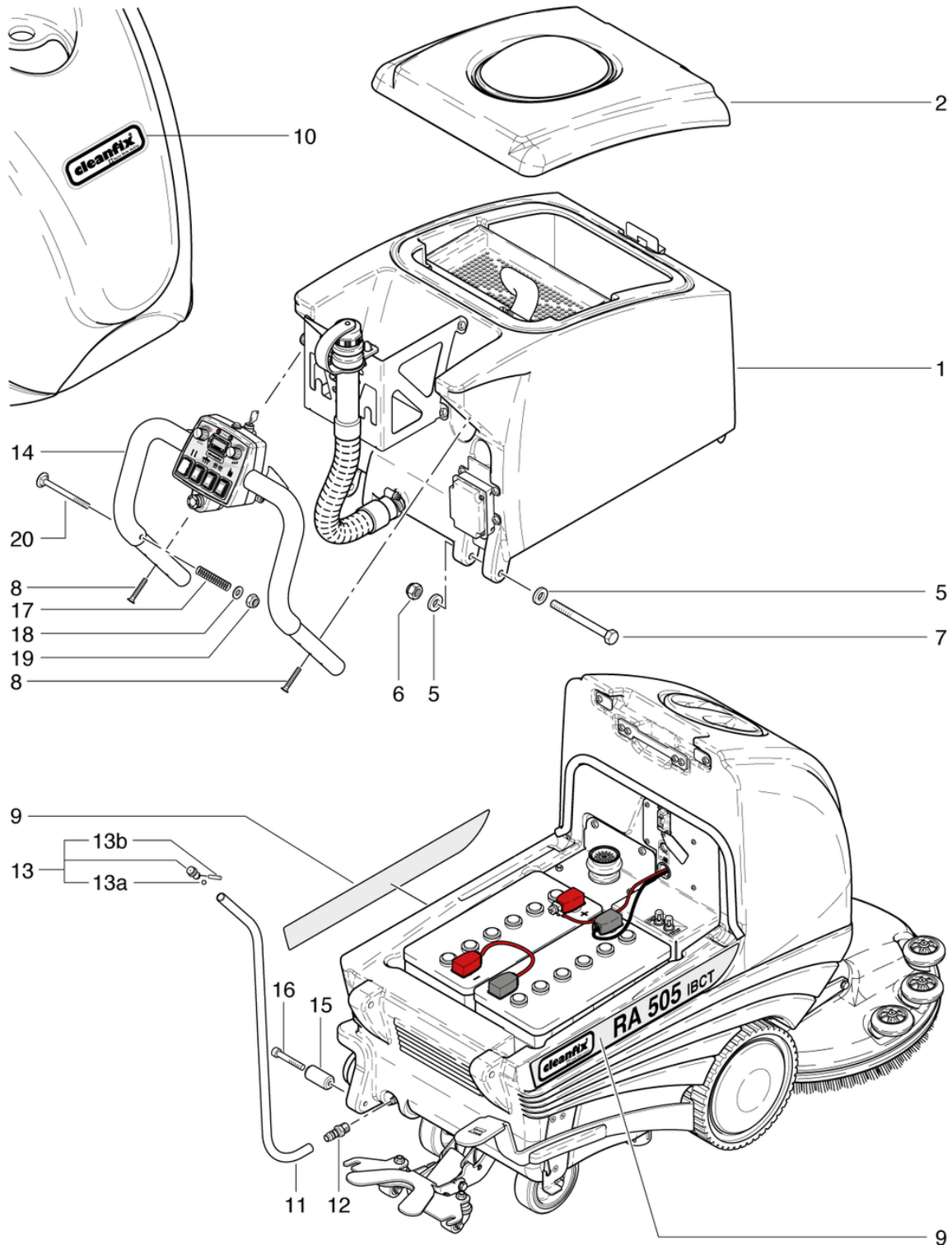
CLEANFIX RA 505 IBCT VDE

Mounting handle and tanks

PDF created on: 10.11.2023 19:36



RA 505 IBCT



| Pos. | Item no. | Spare part |
|-------------|-----------------|---|
| 1 | 565.650 | Tank |
| 2 | 565.120 | Cover of dirty water tank |
| 5 | P497S | Shim DIN 9021 M12 13/20/2 A2 |
| 6 | P492T | Nut DIN 985 M12 St galvanized |
| 7 | P470N | Screw DIN 931 M12 x 120 with shaft |
| 8 | P479NA | Screw DIN 7991 M6 x 40 |
| 9 | 555.455 | Decorative strips - set |
| 10 | 110 | Sticker Cleanfix |
| 11 | 565.451 | PVC hose 16x12 |
| 12 | P540N | Straight nipple GES NW12 / R3 / 8 |
| 13a | P172W | Ball ø7.14 for spray nozzle PA6.6 |
| 13b | P514 | Broche ISO 2338 2x12 |
| 13 | 565.445 | Back pressure valve complete |
| 14 | 565.210 | Control Unit Complete RA605 |
| 15 | 565.536 | Stop Roller |
| 16 | P486Y | Screw DIN 912 M6 x 40 A2 with shaft |
| 17 | 565.216 | Compression spring VD-121 0.8 / 10.8 / 66 |
| 18 | P497P | Shim DIN 1440 8/16/2 |
| 19 | P492N | Nut DIN985 M8 A2 |
| 20 | P481GA | Screw DIN 603 M8 x 100 |

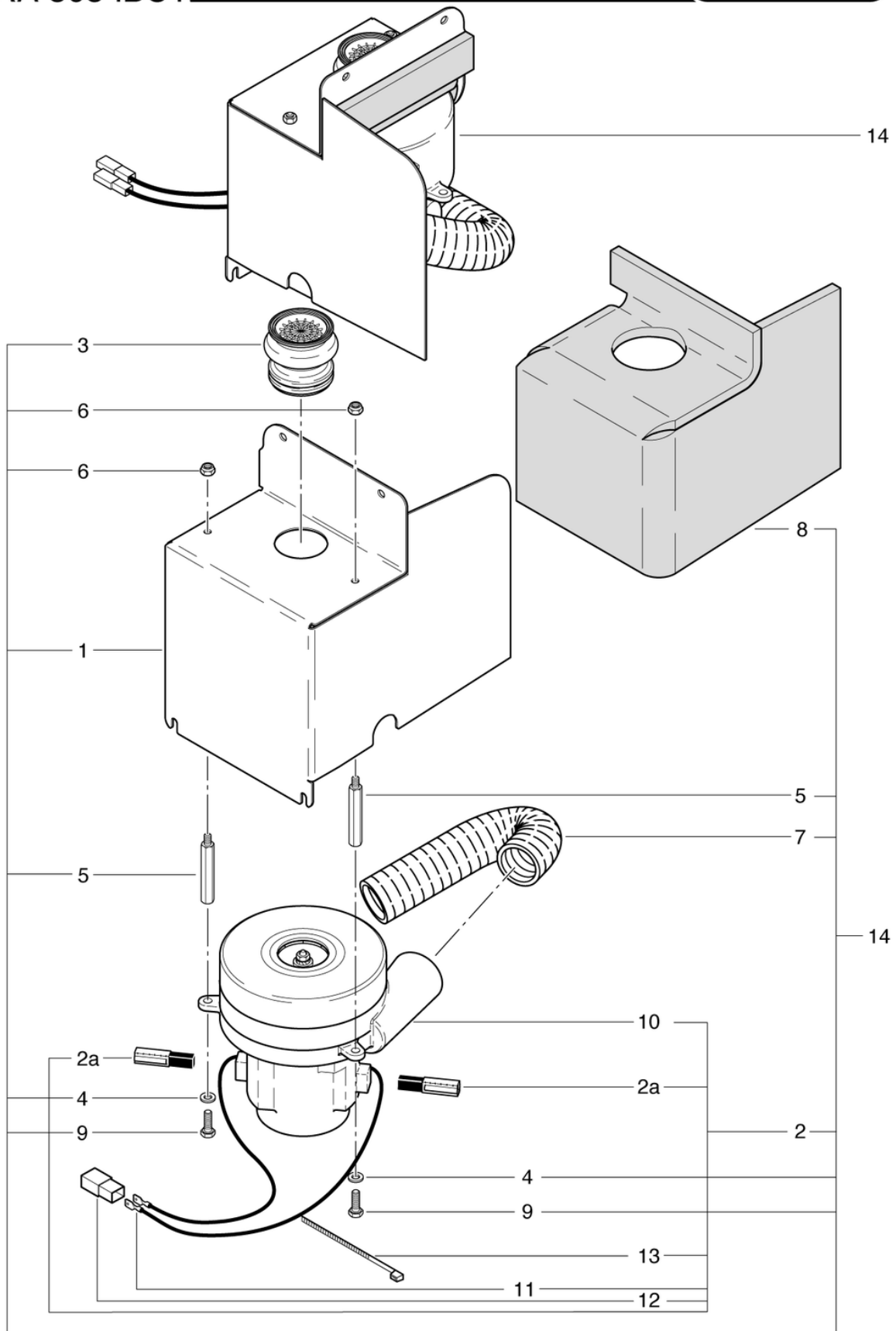
CLEANFIX RA 505 IBCT VDE

Vacuum motor box

PDF created on: 10.11.2023 19:36



RA 505 IBCT



| Pos. | Item no. | Spare part |
|-------------|-----------------|--|
| 1 | 565.671 | Cover for suction motor |
| 2a | P870KB | Carbon brushes (pair) OEP |
| 2 | 440.207 | suck blowers 24V /400W compl. |
| 3 | 565.672 | Blower seal |
| 4 | P496K | Shim DIN 125 A M6 6,4/12/1,6 |
| 5 | P484UD | Distance holder BN 3318 M6 x 60 |
| 6 | P493K | Nut DIN 985 M6 |
| 7 | 400.223 | Noise Absorbing Hose |
| 8 | 565.673 | Sound insulation |
| 9 | P470X | Screw DIN 933 M6 x 20 |
| 10 | 440.206 | Suction Motor- 24 V / 400W |
| 11 | P401E | Push-on connector 6,3 x 0,8 - 1,5 - 2,5mm ² |
| 12 | P818E | Flat plug-6,3mm natural 2-poles 180924-0 |
| 13 | P609 | Cable tie black 4,8 x 178mm |
| 14 | 565.480 | Complete Vac Motor |

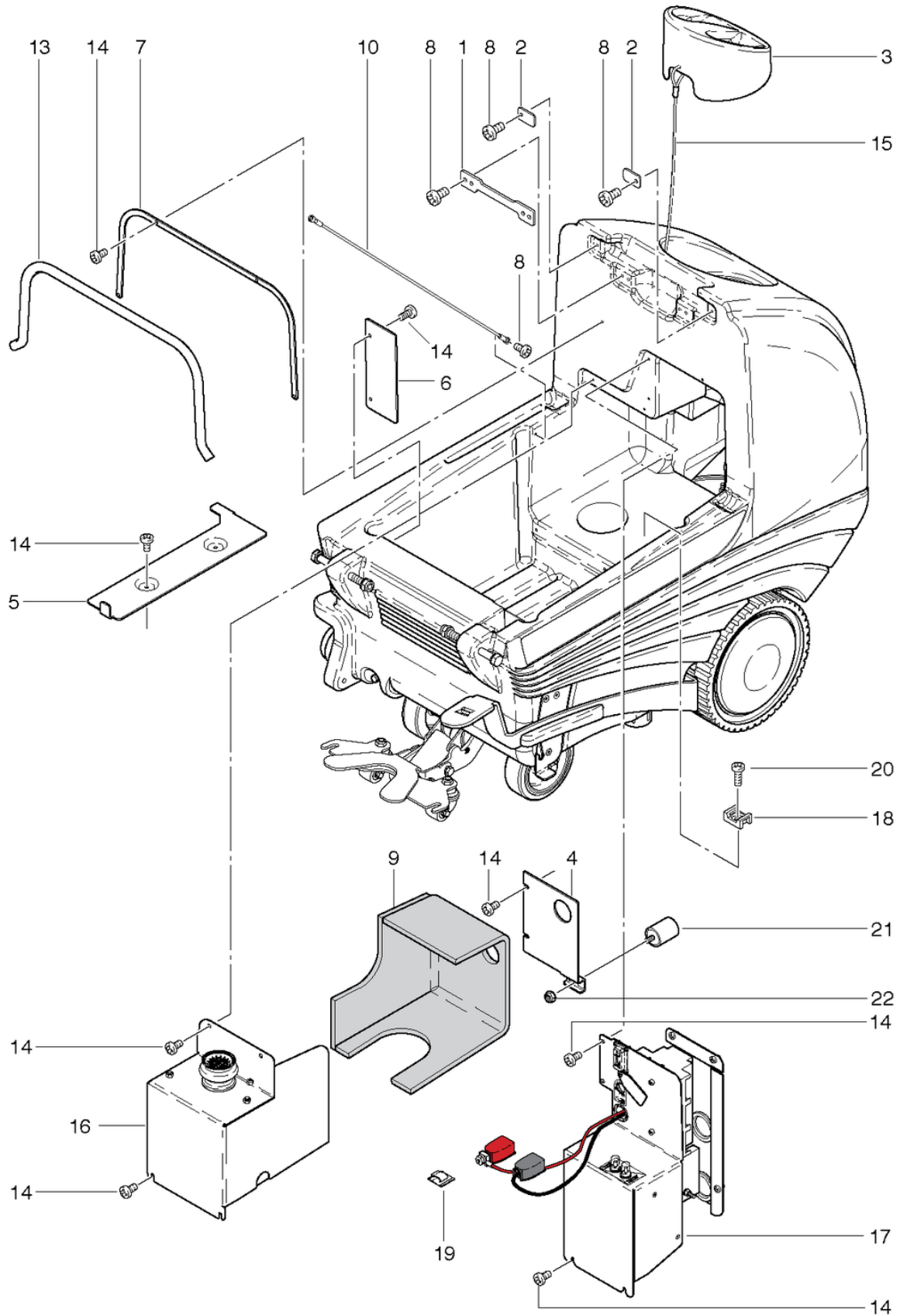
CLEANFIX RA 505 IBCT VDE

Control unit vacuum motor

PDF created on: 10.11.2023 19:36



RA 505 IBC/IBCT



| Pos. | Item no. | Spare part |
|-------------|-----------------|---|
| 1 | 565.468 | Counterplate |
| 2 | 565.467 | Clamp metal plate |
| 3 | 565.466 | Freshwater tank cover |
| 4 | 565.482 | Chicane air outlet |
| 5 | 565.473 | Cover for cables |
| 6 | 565.472 | Cover |
| 7 | 565.469 | Seal Sheet |
| 8 | P476Q | Screw DIN 7985 M6 x 10 |
| 9 | 565.483 | Sound insulation |
| 10 | 565.471 | Pull rope |
| 13 | 565.470 | Seal |
| 14 | P476AC | Screw DIN 7985 M5 x 8 |
| 15 | 565.464 | Rope for Measuring cup |
| 16 | 565.480 | Complete Vac Motor |
| 17 | 565.490 | Complete Control Unit RA605 |
| 18 | 125.111 | Cable tie holder |
| 19 | P360 | Nature cable holder |
| 21 | 400.214 | Round buffer M6 x 8 I-thread, ø 20 x 30 |
| 22 | P492K | Nut DIN 985 M6 A2 |

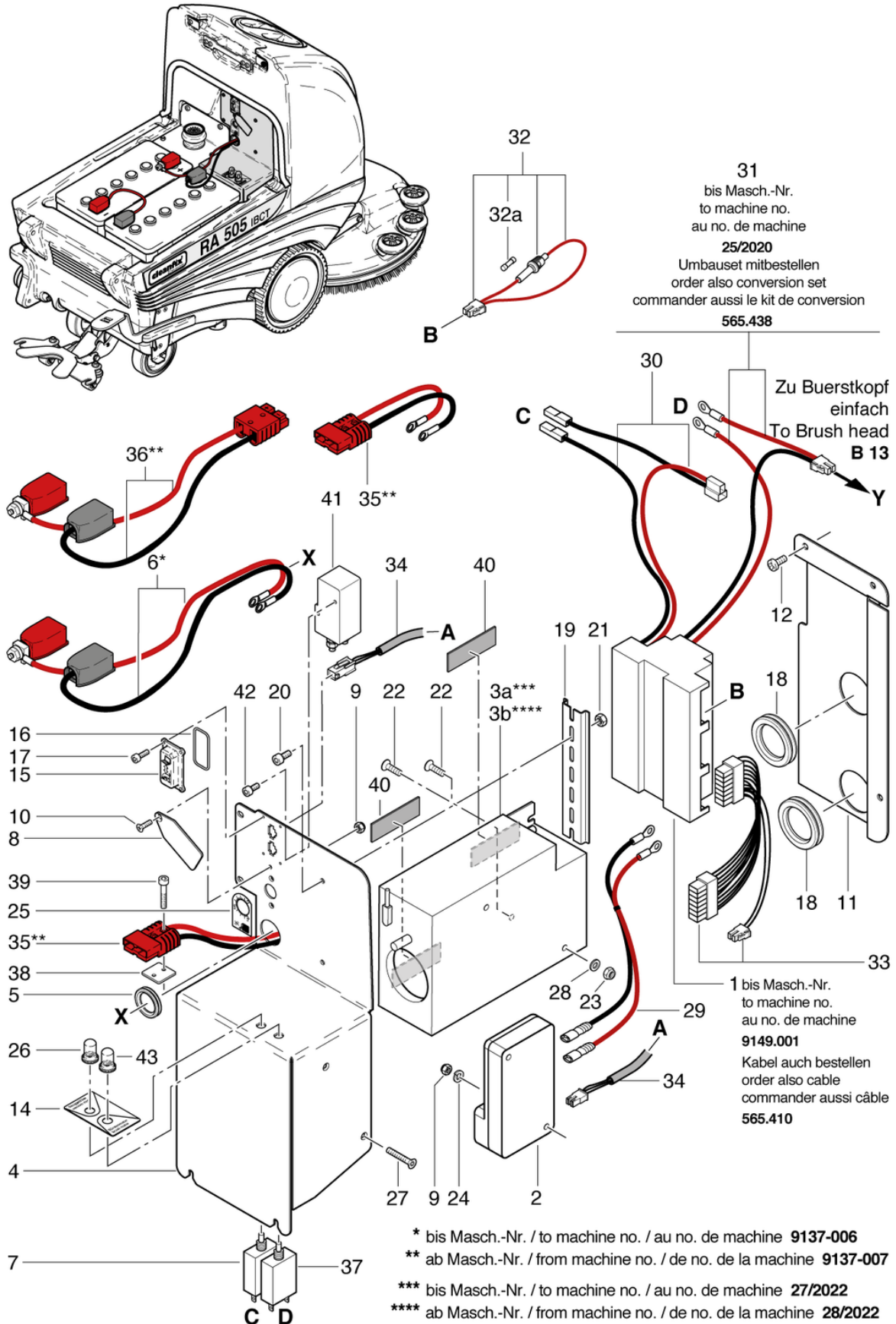
CLEANFIX RA 505 IBCT VDE

Control

PDF created on: 10.11.2023 19:36



RA 505 IBCT



| Pos. | Item no. | Spare part |
|-------------|-----------------|--|
| 1a | 565.410 | Cable |
| 1 | 565.506 | Main control Styromat |
| 2 | 565.493A | PG-Drive iDRIVE 45 programmed |
| 3a | 565.596 | Conversion kit for new charger RA605 / RA505 |
| 3b | P015 | Battery Charger 24V; 15A |
| 4 | 565.498 | Cover |
| 5 | 565.499 | Membrane socket |
| 6 | 565.258 | Lead wire battery voltage relay input |
| 7 | 470.355 | Motor protection switch 25A |
| 8 | 565.487 | Cover flap |
| 9 | P493D | Stopp-nut DIN 985 M4 A2 |
| 10 | P479B | Screw DIN 965 M4 x 10 A2 |
| 11 | 565.486 | Metal plate ELG2415 |
| 12 | P476AC | Screw DIN 7985 M5 x 8 |
| 14 | 565.485 | Sticker for protect switch |
| 15 | 565.448 | Cover |
| 16 | P088B | Ring DIN 3771 36/2 NBR |
| 17 | P488L | Screw DIN 912 M3 x 5 |
| 18 | 565.447 | Membrane socket |
| 19 | 565.443 | Bar L 165mm |
| 20 | P489E | Screw DIN 912 M5 x 10 A2 |
| 21 | P490C | Hexagon nut DIN 934 M5 |
| 22 | P480K | Screw DIN 7991 M6 x 10 |
| 23 | P493K | Nut DIN 985 M6 |
| 24 | P498A | Ring DIN 127 B M4 4,1/7,6/0,9 CuSn |
| 25 | 565.439 | Sticker |
| 26 | 500.957A | Protective Cap |
| 27 | P478O | Screw DIN 7991 M4 x 30 |
| 28 | P496L | Shim DIN 9021 M6 6,4/18/1,6 |
| 29 | 565.253 | Doublecord |
| 30 | 565.674 | Cable harness Aspirator Engine |
| 31a | 565.436 | Holder bar right |
| 31 | 565.257 | T-Cord for brush motor |
| 32a | P363C | Fuse T 5A, 250V |
| 32 | 565.260 | Fuse Carrier |
| 33 | 565.492 | Cord |
| 34 | 565.484 | Cable |
| 35 | 565.255 | Battery charging cable |
| 36 | 436.983 | Battery Cable Tree |
| 37 | 565.118 | Motor protection switch 35A |
| 38 | 565.254 | Pulley Complete |

| Pos. | Item no. | Spare part |
|-------------|-----------------|--------------------------|
| 39 | P488C | Screw DIN 912 M4 x 20 A2 |
| 40 | 400.139 | Slide security |
| 41 | 535.634 | Contactator |
| 42 | P488D | Screw DIN 912 M4 x 8 |
| 43 | 470.710A | Protection cap |

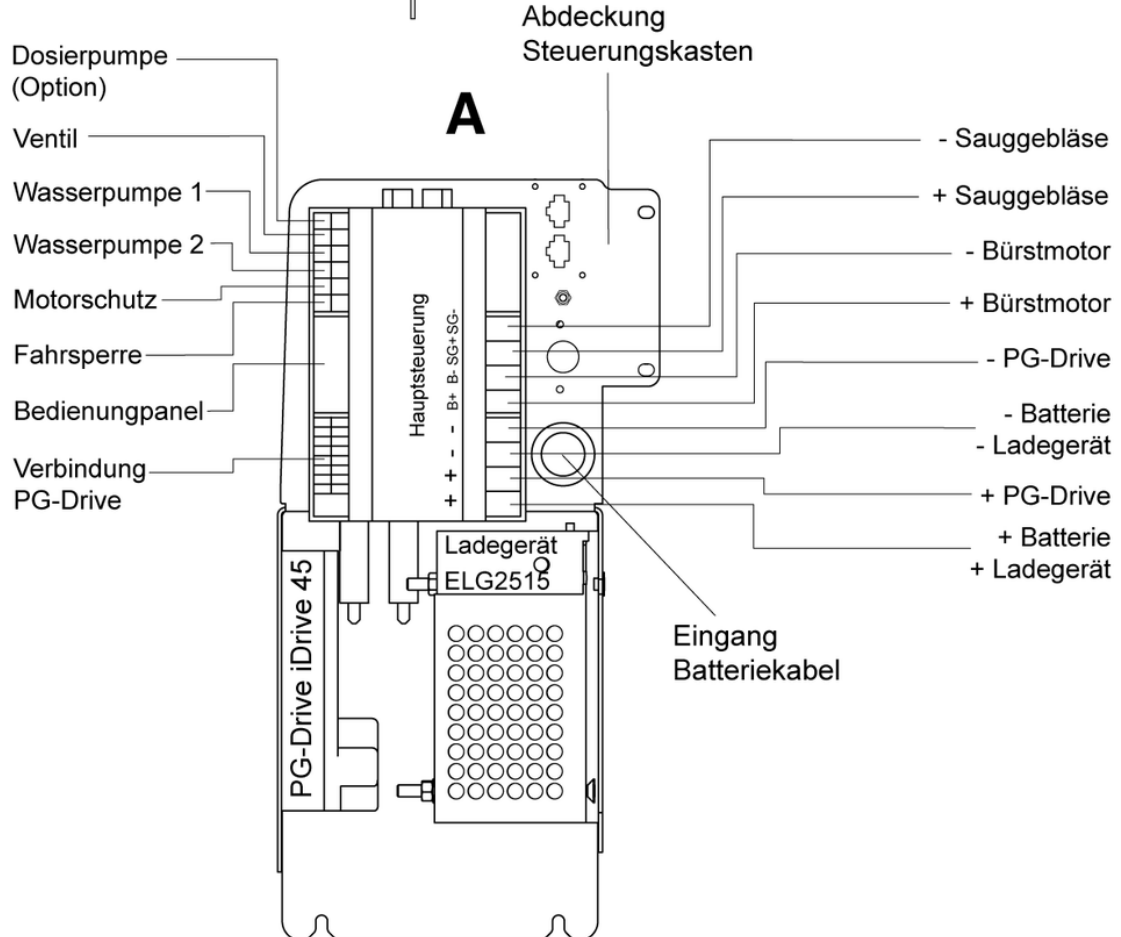
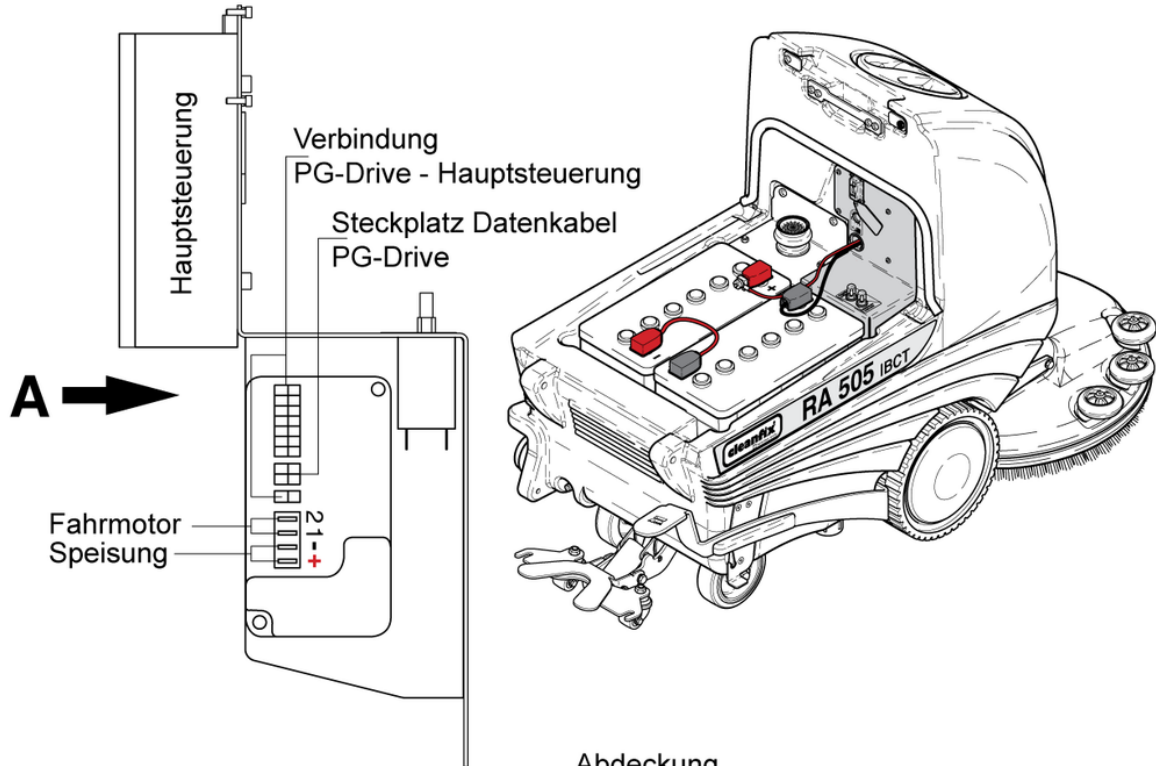
CLEANFIX RA 505 IBCT VDE

Control - a

PDF created on: 10.11.2023 19:36



RA 505 IBCT



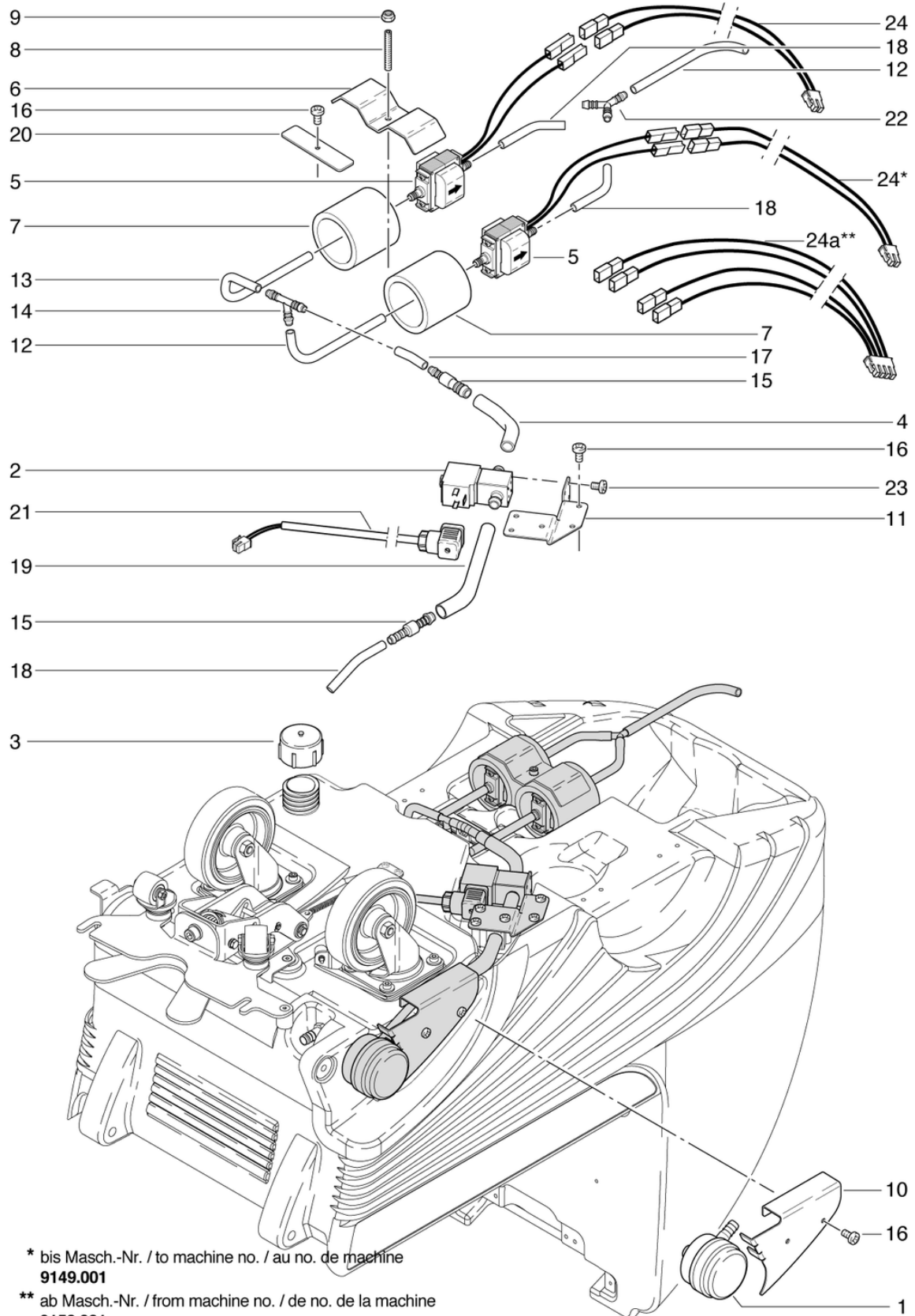
CLEANFIX RA 505 IBCT VDE

Water distribution up to machine no. 9432.999

PDF created on: 10.11.2023 19:36



RA 505 IBCT



* bis Masch.-Nr. / to machine no. / au no. de machine
9149.001

** ab Masch.-Nr. / from machine no. / de no. de la machine
9150.001

| Pos. | Item no. | Spare part |
|-------------|-----------------|------------------------------|
| 1 | 565.760 | Fresh water filter processed |
| 2 | P258 | Magnetic valve 24V |
| 3 | 432.110 | Cover for Execution |
| 4 | 565.425 | Hose |
| 5 | P817A | NDS-X Pump 24V |
| 6 | 565.404 | Bracket |
| 7 | 565.405 | Rubber Connection Piece |
| 8 | 565.408 | Thread bar |
| 9 | P493K | Nut DIN 985 M6 |
| 10 | 565.402 | Metal plate |
| 11 | 565.403 | Support |
| 12 | 565.426 | Hose |
| 13 | 565.428 | Hose |
| 14 | P544D | Connection piece TS8 |
| 15 | P539Z | Nipple GRS 12-8 |
| 16 | P476AC | Screw DIN 7985 M5 x 8 |
| 17 | 565.427 | Hose |
| 18 | 565.422 | Hose |
| 19 | 565.429 | Hose |
| 20 | 565.407 | Plate |
| 21 | 436.709 | Cable For Magnetic Valve |
| 22 | P542E | Y-piece 8mm |
| 23 | P516P | Screw WN 1452 K40 x 12 |
| 24a | 565.410 | Cable |
| 24 | 565.409 | Cable extension pump |

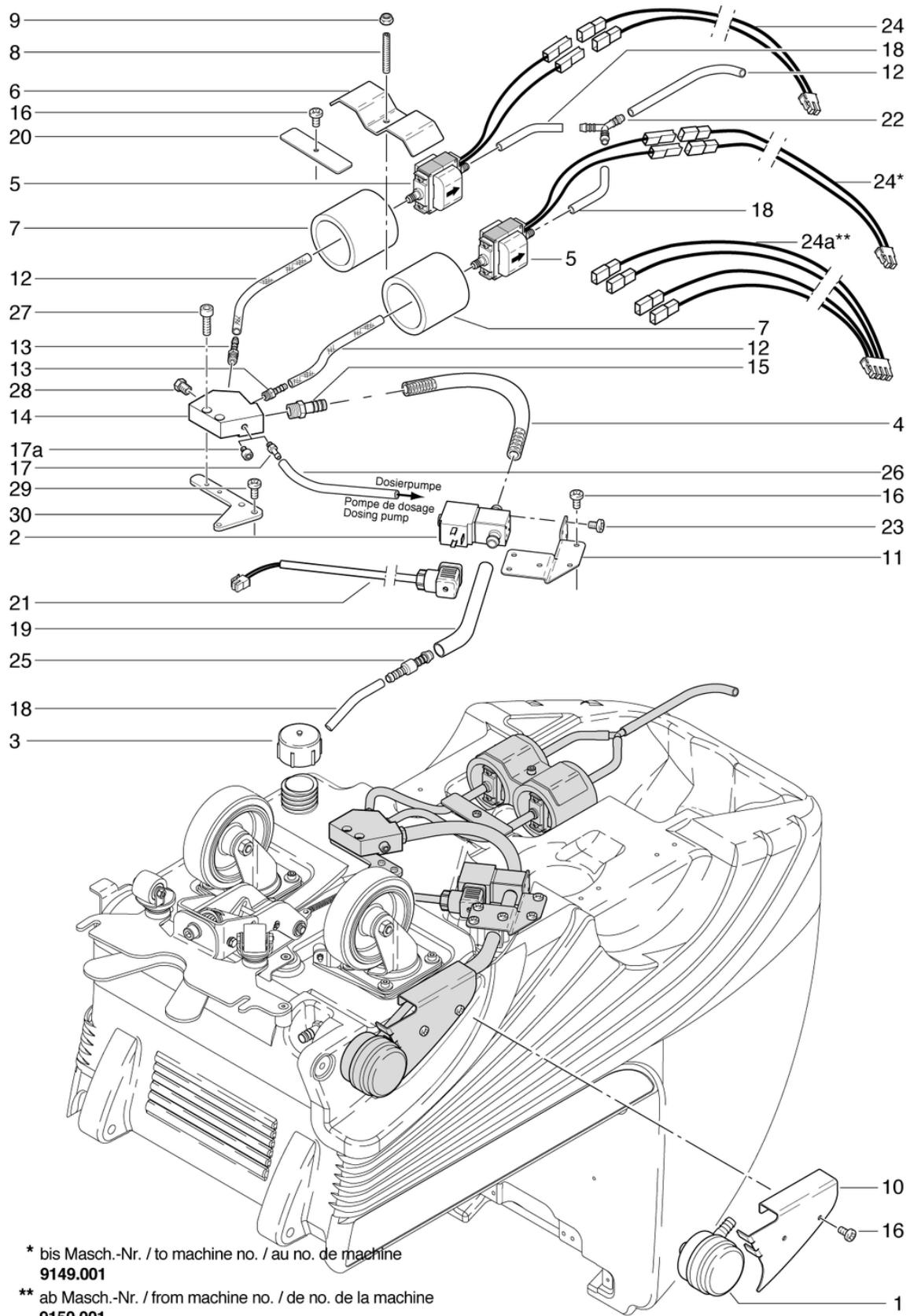
CLEANFIX RA 505 IBCT VDE

Water distribution as from no. 9433.001

PDF created on: 10.11.2023 19:36



RA 505 IBCT



* bis Masch.-Nr. / to machine no. / au no. de machine
9149.001

** ab Masch.-Nr. / from machine no. / de no. de la machine
9150.001

| Pos. | Item no. | Spare part |
|-------------|-----------------|---|
| 1 | 565.760 | Fresh water filter processed |
| 2 | P258 | Magnetic valve 24V |
| 3 | 432.110 | Cover for Execution |
| 4 | 565.419 | Hose magnetic valve-nipple Ø18/12 x 190mm |
| 5 | P817A | NDS-X Pump 24V |
| 6 | 565.404 | Bracket |
| 7 | 565.405 | Rubber Connection Piece |
| 8 | 565.408 | Thread bar |
| 9 | P493K | Nut DIN 985 M6 |
| 10 | 565.402 | Metal plate |
| 11 | 565.403 | Support |
| 12 | 565.418 | Hose |
| 13 | P540G | Straight nipple GES NW8 R 1/8 |
| 14 | 565.540 | Valve block |
| 15 | P540N | Straight nipple GES NW12 / R3 / 8 |
| 16 | P476AC | Screw DIN 7985 M5 x 8 |
| 17a | P489C | Screw DIN 912 M5 x 6 A2 |
| 17 | 320.170 | Screw in Socket |
| 18 | 565.422 | Hose |
| 19 | 565.429 | Hose |
| 20 | 565.407 | Plate |
| 21 | 436.709 | Cable For Magnetic Valve |
| 22 | P542E | Y-piece 8mm |
| 23 | P516P | Screw WN 1452 K40 x 12 |
| 24a | 565.410 | Cable |
| 24 | 565.409 | Cable extension pump |
| 25 | P539Z | Nipple GRS 12-8 |
| 26 | 565.417 | Hose |
| 27 | P486I | Screw DIN 7984 M5 x 16 galvanized |
| 28 | P542M | Blind plug R 1/4 |
| 29 | P481Z | Screw DIN 7985 M5 x 10 A2 |
| 30 | 565.460 | Penholder |

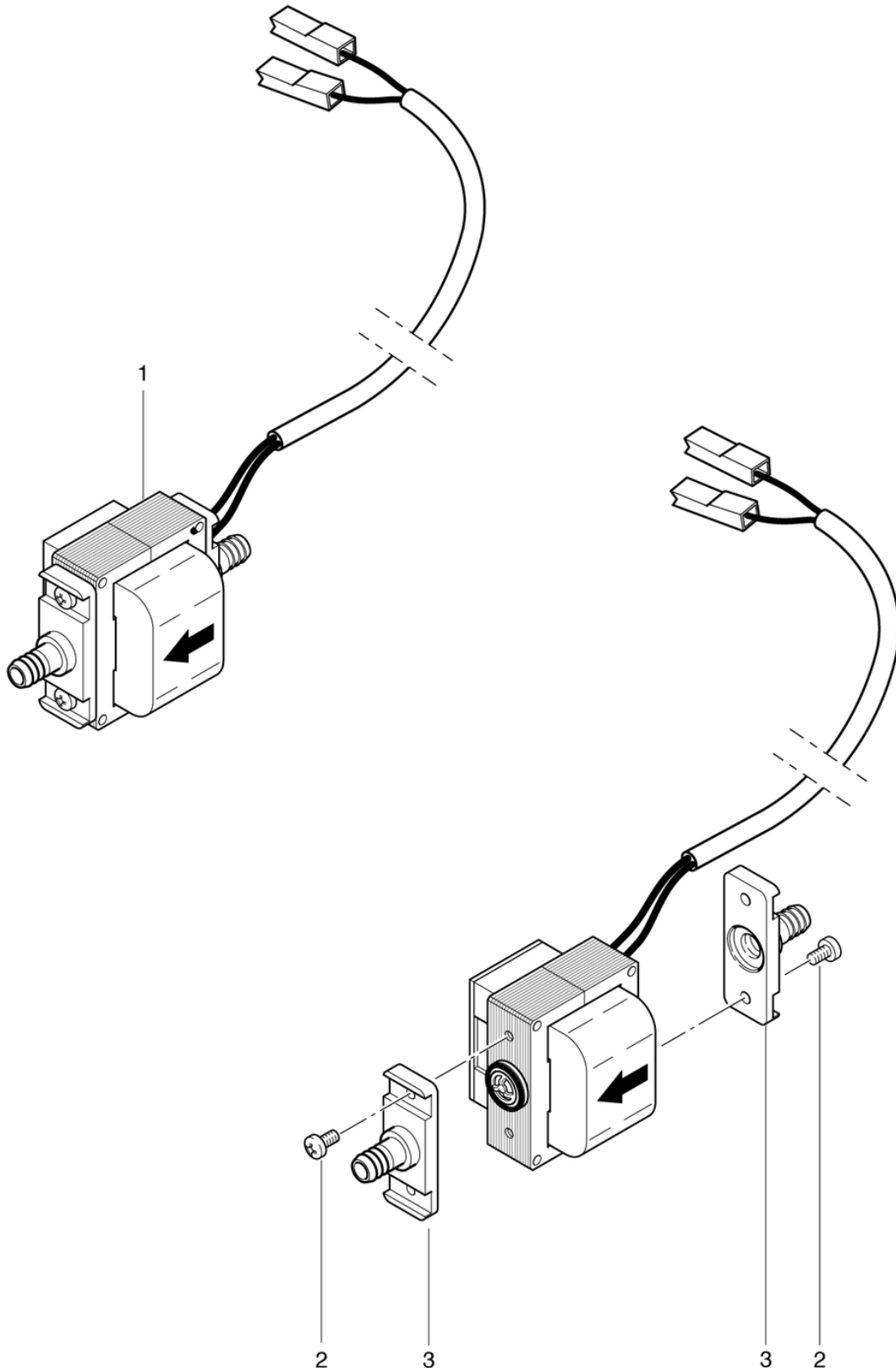
CLEANFIX RA 505 IBCT VDE

Pump NDS-X

PDF created on: 10.11.2023 19:36



RA 505 IBCT



| Pos. | Item no. | Spare part |
|-------------|-----------------|---------------------------|
| 1 | P817A | NDS-X Pump 24V |
| 2 | P481M | Screw DIN 7985 M4 x 10 A2 |
| 3 | P809M | Connecting even |

CLEANFIX RA 505 IBCT VDE

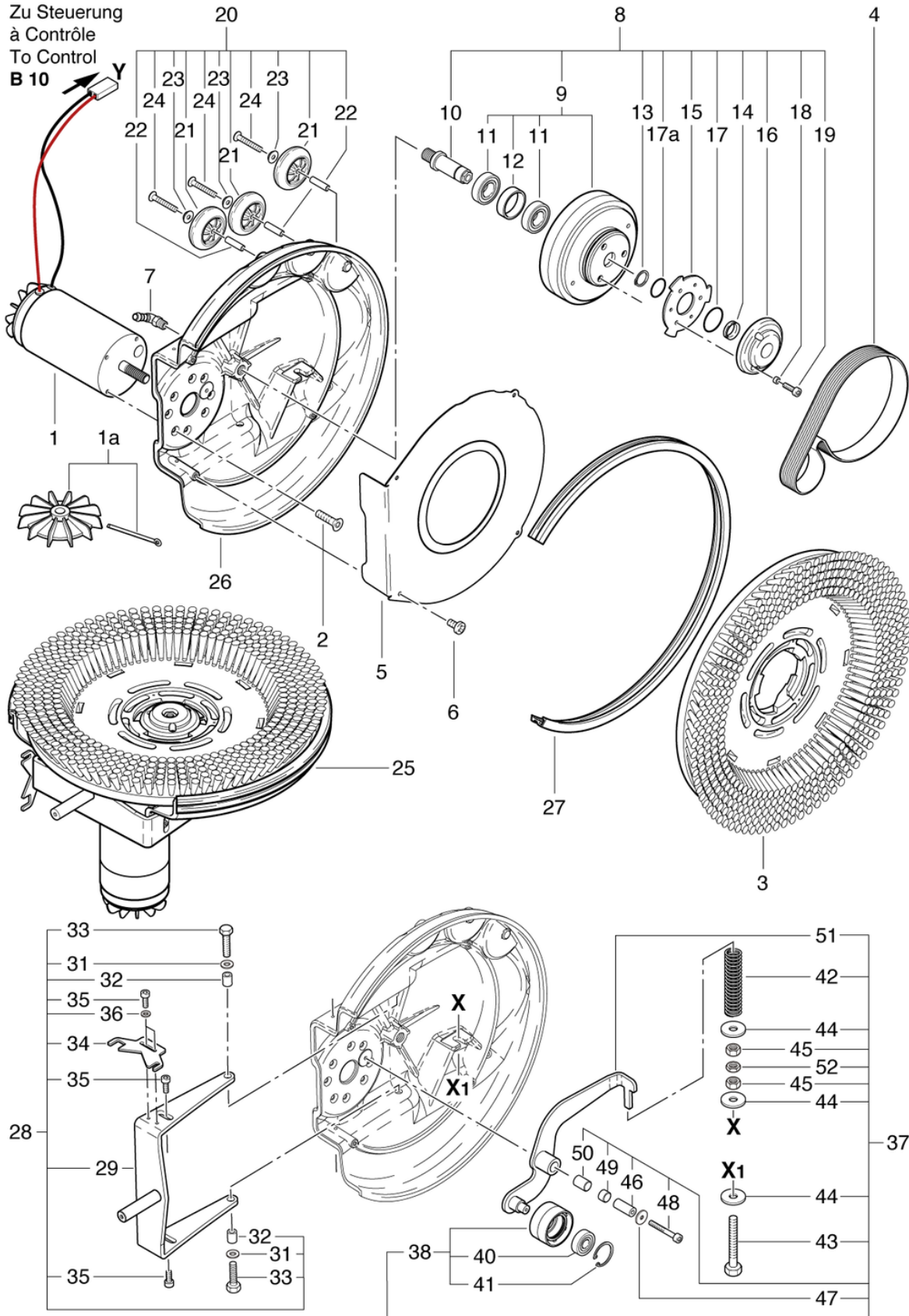
Brush head

PDF created on: 10.11.2023 19:36



RA 505 IBCT

Zu Steuerung
à Contrôle
To Control
B 10



| Pos. | Item no. | Spare part |
|------|----------|---|
| 1a | 565.593 | Brush Motor Fan |
| 1 | 555.591 | Brush Motor 24V DC 600W |
| 2 | P479RA | Screw DIN 7991 M8 x 20 |
| 3 | 730.059 | Scrubbing brush PPN 0,6, Ø 51cm |
| 4 | 6390520 | Poly-V-belt 15-PJ-864mm Lw |
| 5 | 555.595 | Cover |
| 6 | P476AC | Screw DIN 7985 M5 x 8 |
| 7 | P541J | Elbow nipple WES 10 / R1 / 4 |
| 8 | 555.124 | Belt Wheel Complete |
| 9 | 742.130 | Belt wheel Type 1 |
| 10 | 555.592 | Bearing pin |
| 11 | P316P | Deep groove ball bearing 6205 2RS ø52 / 25 x 15 |
| 12 | 3611851 | Spacer ring ø 52 / 45 x 15 |
| 13 | P513D | Ring DIN 471 25/1,2 |
| 14 | P344 | Shaft sealing ring 25x40x3 EPDM/V2A |
| 15 | 742.141 | Pad Hub |
| 16 | 742.128 | Brush Support |
| 17a | P964A | Ring DIN 3771 55,25/2,62 EPDM |
| 17 | P964B | Ring DIN 3771 42,52/2,62 EPDM |
| 18 | 742.129 | Distance ring ø 8 / 6 x 4 |
| 19 | P487S | Screw DIN 912 M6 x 20 A2 |
| 20 | 555.580 | Distance roll assy. |
| 21 | 555.510 | Wheel |
| 22 | 555.589 | Shell |
| 23 | P500Q | Washer SN 213912 M6 18/4,8 |
| 24 | P479NA | Screw DIN 7991 M6 x 40 |
| 25 | 555.500 | Brush head single cpl. |
| 26 | 555.586 | Casting head with bounce protection (incl. No 27) |
| 27 | 555.598 | Bumper |
| 28 | 555.550 | Brush Head Lift |
| 29 | 555.596 | Fork Assy RA505 |
| 31 | P496P | Washer DIN 125 A M8 8,4/16/1,6 A2 |
| 32 | 555.597 | Bush fork |
| 33 | P473G | Screw DIN 933 M8 x 30 A2 |
| 34 | 555.599 | comb |
| 35 | P486Q | Screw DIN 912 M6 x 12 A2 |
| 36 | P496K | Shim DIN 125 A M6 6,4/12/1,6 |
| 37 | 555.600 | Belt Tension Complete |
| 38 | 742.116 | Tension pulley ø65.2 x 37 cpl. |
| 40 | P316O | Deep groove ball bearing 6302 2RSR ø42 / 15 x 13 |
| 41 | P513G | Ring DIN 472 42/1,75 |

| Pos. | Item no. | Spare part |
|-------------|-----------------|--|
| 42 | 565.516 | Compression spring VD-307 3.2 / 23.2 / 105 |
| 43 | P471Y | Screw DIN 933 M10 x 80 |
| 44 | P496S | Washer DIN 9021 M10 10,5/30/2,5 A2 |
| 45 | P491N | Nut DIN 934 M10 St galvanized |
| 46 | 555.588 | Cartridge |
| 47 | P510L | Washer DIN 522 M6 6,4/25/1,5 A2 |
| 48 | P488M | Screw DIN 912 M6 x 50 A2 with shaft |
| 49 | P316G | Plain bearing d16 GSM-1618-12 |
| 50 | P316T | Plain bearing d16 GSM-1618-25 |
| 51 | 555.594 | Tension lever |
| 52 | P491R | Nut DIN 439 B M10 x 0.5d St vz |

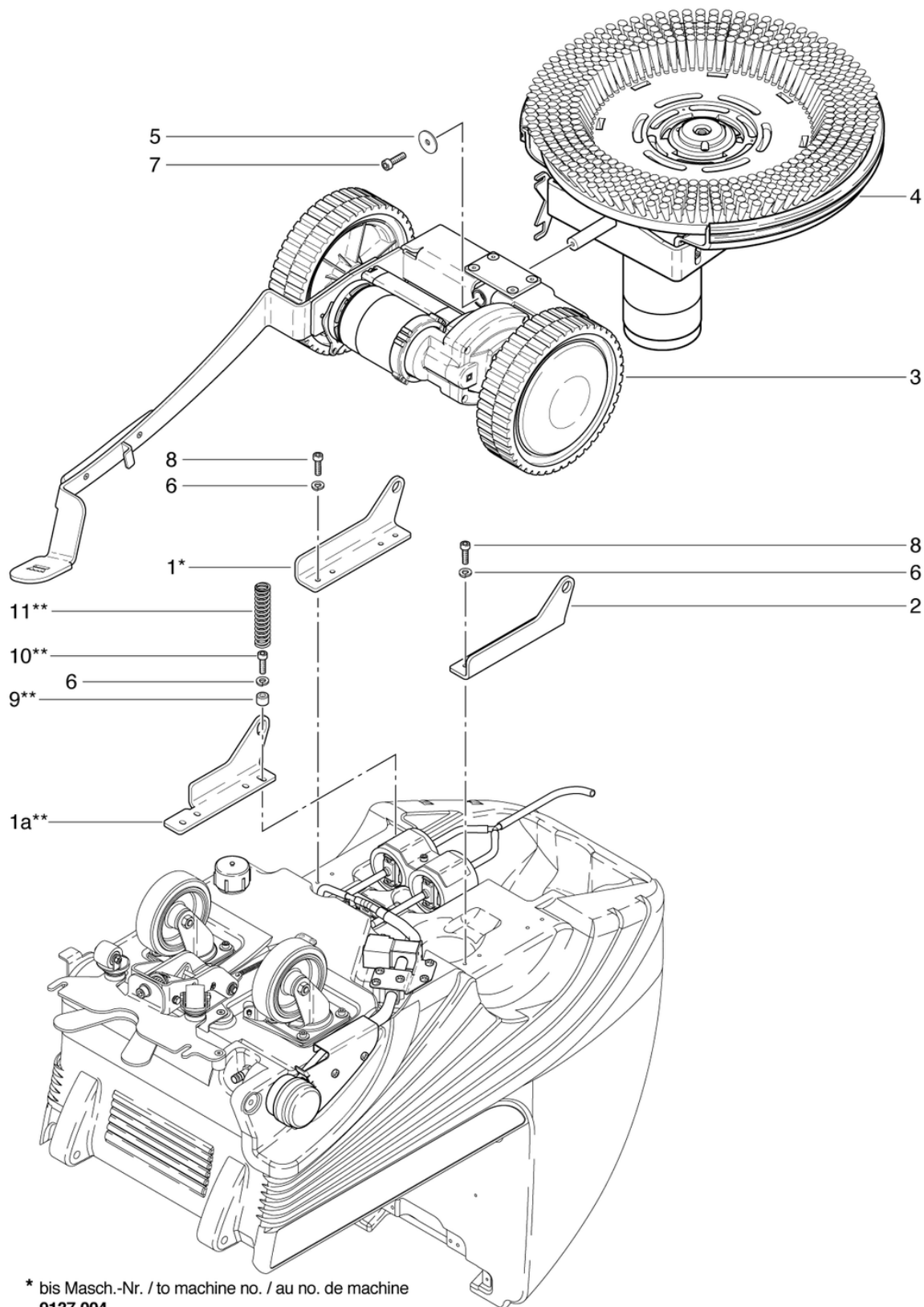
CLEANFIX RA 505 IBCT VDE

Chassis assembly brush head

PDF created on: 10.11.2023 19:36



RA 505 IBCT



* bis Masch.-Nr. / to machine no. / au no. de machine
9137.004

** ab Masch.-Nr. / from machine no. / de no. de la machine
9137.005

| Pos. | Item no. | Spare part |
|-------------|-----------------|--|
| 1a | 565.436 | Holder bar right |
| 1 | 565.453 | Bar right |
| 2 | 565.462 | Holder strip on the left |
| 3 | 565.320 | Lift mechanism |
| 4 | 555.500 | Brush head single cpl. |
| 5 | P496PA | Washer DIN 522 M8 8,4/35/2,5 |
| 6 | P498U | Ring DIN 127 B M6 6,1/11,8/1,6 A2 |
| 7 | P487B | Screw DIN 912 M8 x 20 |
| 8 | P486X | Screw DIN 912 M6 x 22 |
| 9 | 565.556 | Spring |
| 10 | P486T | Screw DIN 912 M6 x 25 |
| 11 | 565.516 | Compression spring VD-307 3.2 / 23.2 / 105 |

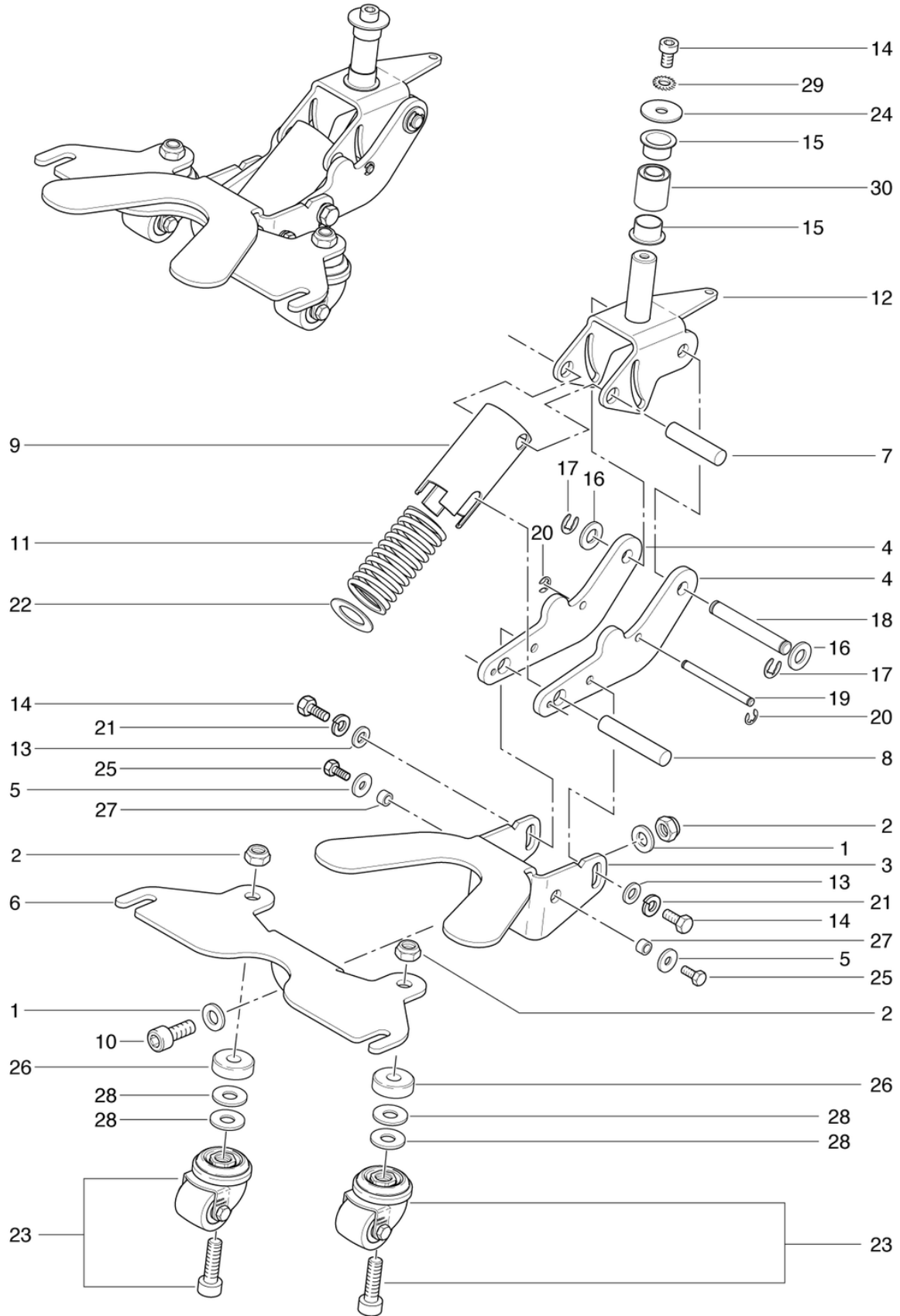
CLEANFIX RA 505 IBCT VDE

Suction nozzle suspension up to machine no. 9528.999

PDF created on: 10.11.2023 19:36



RA 505 IBCT



| Pos. | Item no. | Spare part |
|-------------|-----------------|--|
| 1 | P510A | Shim DIN 125 A M10 10,5/20/2 PA6.6 |
| 2 | P492Q | Nut DIN 985 M10 |
| 5 | P497H | Washer DIN 9021 M6 6,4/18/1,6 A2 |
| 6 | 565.528A | Girder sheet metal stainless |
| 9 | 565.526A | Spiral tube stainless |
| 10 | P487K | Screw DIN 912 M10 x 25 |
| 11 | 565.527 | Compression spring VD-327 4/36/120 |
| 13 | P496P | Washer DIN 125 A M8 8,4/16/1,6 A2 |
| 14 | P471D | Screw DIN 933 M8 x 16 |
| 15 | P316S | Plain bearing with collar GFM-1820-12 |
| 16 | P496T | Shim DIN 125 A M10 10,5/20/2 |
| 17 | P499Q | Shim DIN 6799 8/16,3/1 |
| 18 | 565.530 | Pin |
| 19 | 565.531 | Pin |
| 20 | P513Z | Shim DIN 6799 5/11,3/0,7 |
| 21 | P498N | Ring DIN 127 B M8 8,1/14,8/2 |
| 23 | P209A | Caster with Screw M10 x 25 |
| 24 | P500N | Washer DIN 522 M8 8,4/30/1,5 A2 |
| 25 | P470T | Screw DIN 933 M6 x 16 |
| 26 | 565.537 | Distance ring \varnothing 30/10,5 x 10 |
| 27 | 080.267 | Bushing \varnothing 10 / 6.5 x 6 A2 |
| 28 | P496S | Washer DIN 9021 M10 10,5/30/2,5 A2 |
| 29 | P498G | Shim DIN 6798 M8 8,4/15/0,8 |
| 30 | 565.463 | Spring Element 20/38 x 48 |

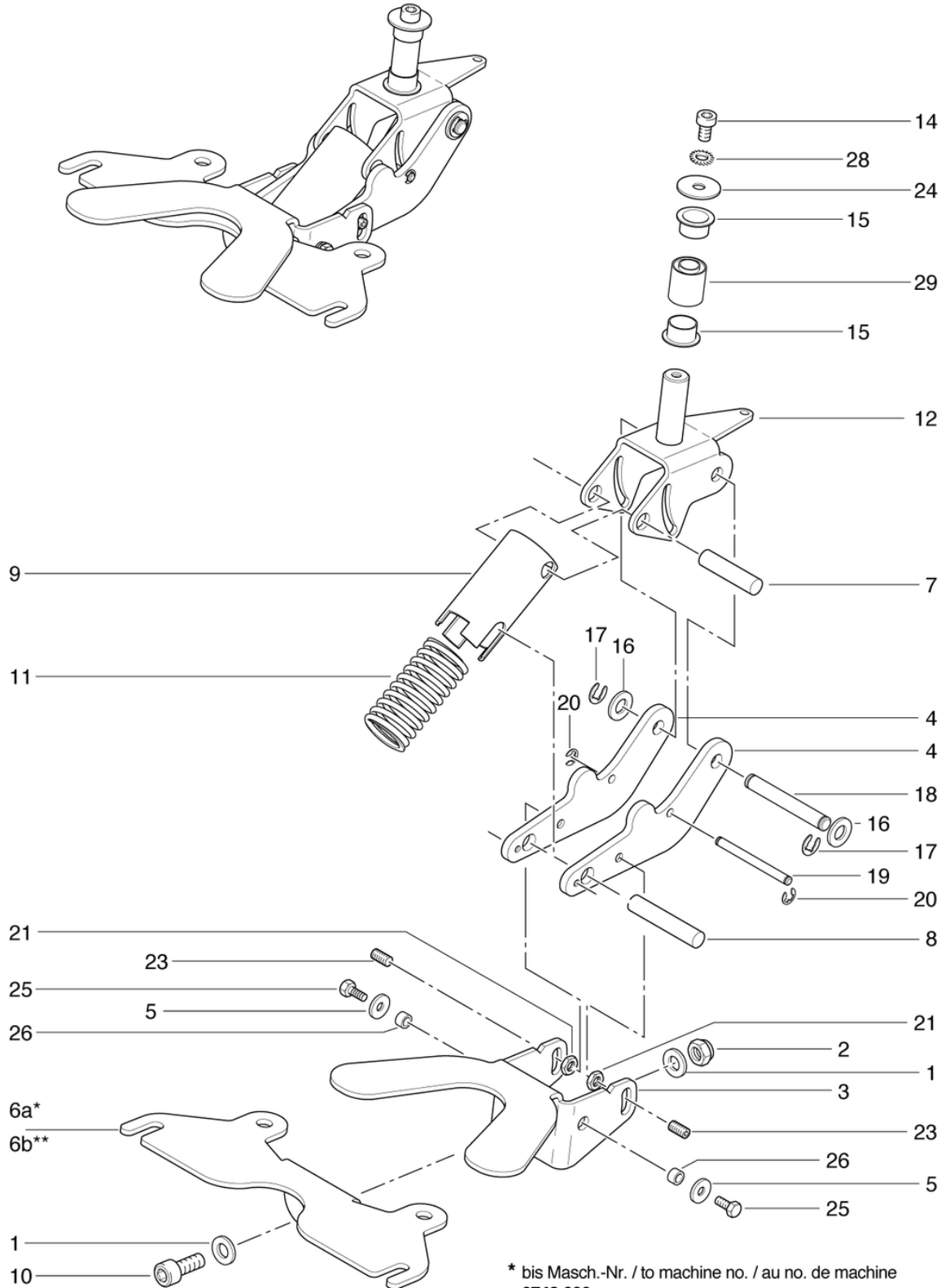
CLEANFIX RA 505 IBCT VDE

Suction nozzle suspension as from no 9532.000

PDF created on: 10.11.2023 19:36



RA 505/605 IBC/IBCT



* bis Masch.-Nr. / to machine no. / au no. de machine
9748.999

** ab Masch.-Nr. / from machine no. / de no. de la machine
9749.001

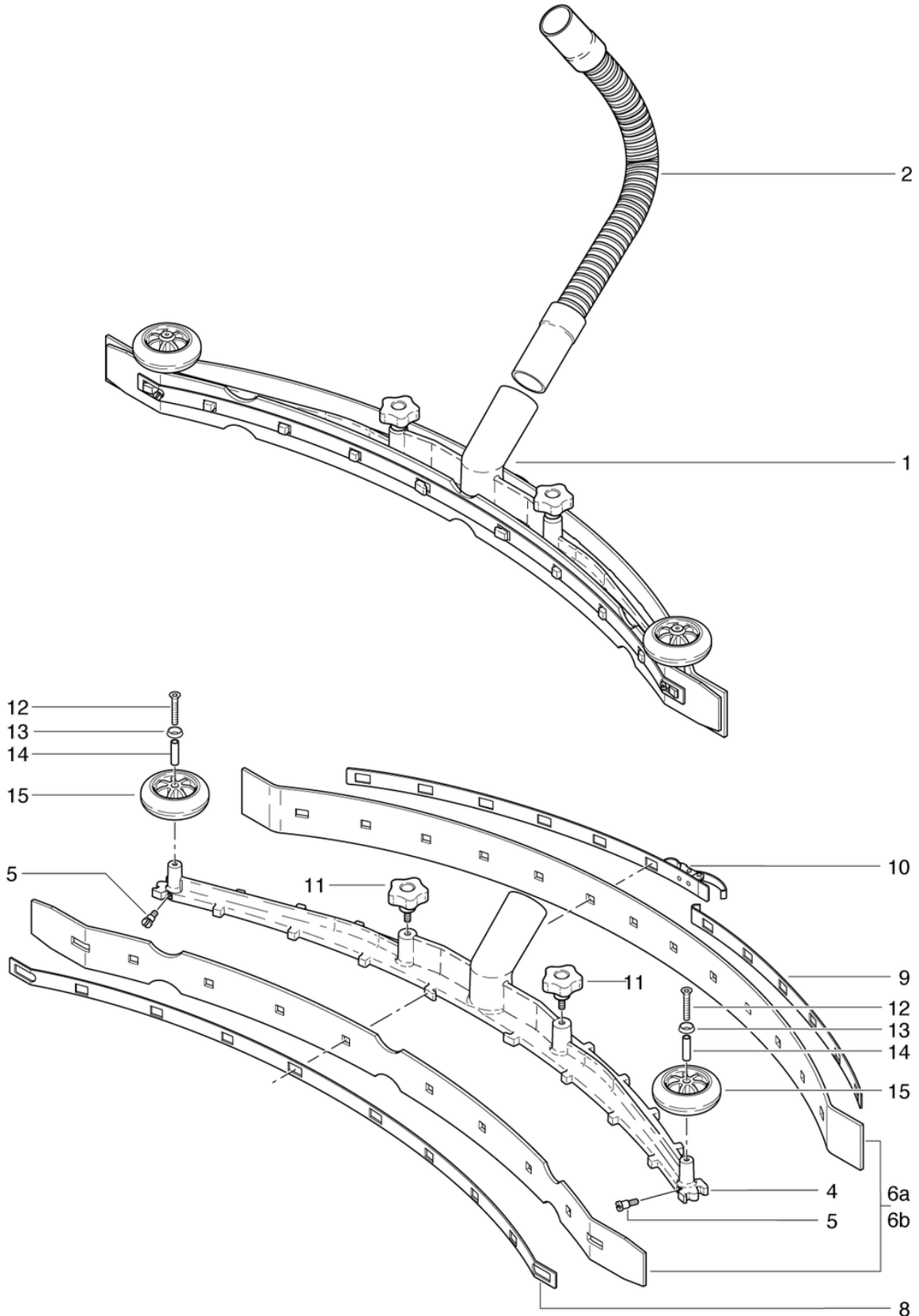
| Pos. | Item no. | Spare part |
|-------------|-----------------|---------------------------------------|
| 1 | P510A | Shim DIN 125 A M10 10,5/20/2 PA6.6 |
| 2 | P492Q | Nut DIN 985 M10 |
| 5 | P497H | Washer DIN 9021 M6 6,4/18/1,6 A2 |
| 6a | 565.523 | Girder |
| 6b | 565.528A | Girder sheet metal stainless |
| 9 | 565.526A | Spiral tube stainless |
| 10 | P487K | Screw DIN 912 M10 x 25 |
| 11 | 565.527 | Compression spring VD-327 4/36/120 |
| 14 | P471D | Screw DIN 933 M8 x 16 |
| 15 | P316S | Plain bearing with collar GFM-1820-12 |
| 16 | P496T | Shim DIN 125 A M10 10,5/20/2 |
| 17 | P499Q | Shim DIN 6799 8/16,3/1 |
| 18 | 565.530 | Pin |
| 19 | 565.531 | Pin |
| 20 | P513Z | Shim DIN 6799 5/11,3/0,7 |
| 21 | P491M | Nut DIN 439 M8 St galvanized |
| 23 | P482XE | Pin DIN 913 M8 x 16 St galvanized |
| 24 | P500N | Washer DIN 522 M8 8,4/30/1,5 A2 |
| 25 | P470T | Screw DIN 933 M6 x 16 |
| 26 | 080.267 | Bushing \varnothing 10 / 6.5 x 6 A2 |
| 28 | P498G | Shim DIN 6798 M8 8,4/15/0,8 |
| 29 | 565.463 | Spring Element 20/38 x 48 |

CLEANFIX RA 505 IBCT VDE

Suction nozzle curved up to machine no. 9528.999

PDF created on: 10.11.2023 19:36

RA 505 IBCT



| Pos. | Item no. | Spare part |
|-------------|-----------------|---------------------------------------|
| 1 | 555.560 | Suction nozzle curved standard compl. |
| 2 | 701.580 | Suction hose 0.91m cpl. |
| 4 | 555.570 | Suction Nozzle RA505 |
| 5 | 555.566 | Shank |
| 6a | 565.080LT | Squeegee Set red |
| 6b | 565.081 | Squeegee Set grease and oil resistant |
| 8 | 555.564 | Squeegee retaining band |
| 9 | 555.562 | External Right Fixation |
| 10 | 555.563 | Right Fixation |
| 11 | P253M | Star grip Ø62 M8 x 18 A2 |
| 12 | P479NA | Screw DIN 7991 M6 x 40 |
| 13 | P500Q | Washer SN 213912 M6 18/4,8 |
| 14 | 555.589 | Shell |
| 15 | 555.510 | Wheel |

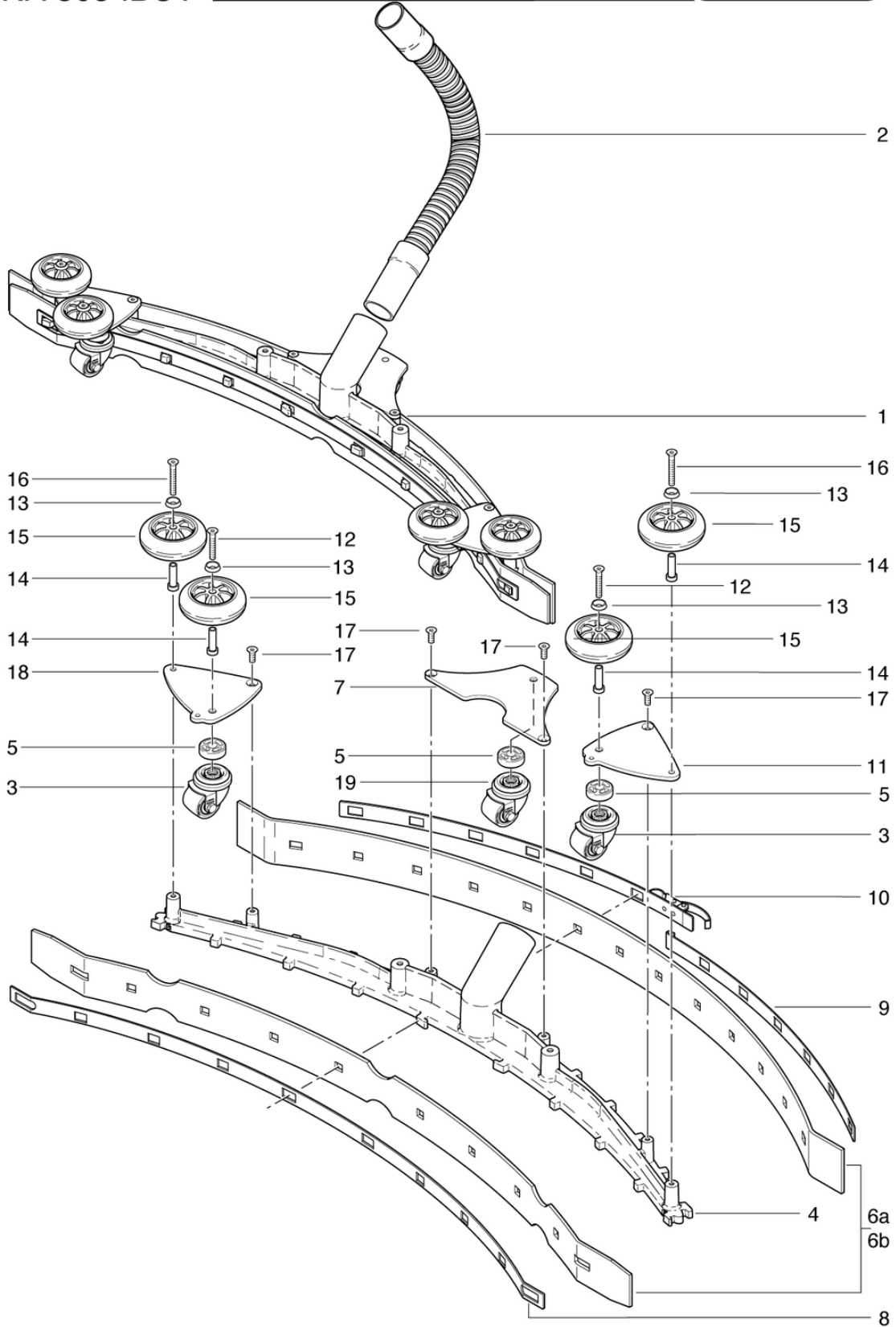
CLEANFIX RA 505 IBCT VDE

Suction nozzle curved from machine no. 9532.000 to machine no. 334496.999

PDF created on: 10.11.2023 19:36



RA 505 IBCT



Saugdüse gebogen / Suceur concave / Suction nozzle curved
ab Masch.-Nr. / de no. de la machine / from machine no. 9532.000
bis Masch.-Nr. / au no. de machine / to machine no. 334496.999

B 16a-04.2017

| Pos. | Item no. | Spare part |
|-------------|-----------------|---------------------------------------|
| 1 | 565.565 | Suction Nozzle |
| 2 | 701.580 | Suction hose 0.91m cpl. |
| 3 | P209A | Caster with Screw M10 x 25 |
| 4 | 555.570 | Suction Nozzle RA505 |
| 5 | 565.537 | Distance ring ø30/10,5 x 10 |
| 6a | 565.080LT | Squeegee Set red |
| 6b | 565.081 | Squeegee Set grease and oil resistant |
| 7 | 565.544 | Support arrière |
| 8 | 555.564 | Squeegee retaining band |
| 9 | 565.542 | External left fixation |
| 10 | 565.541 | External right fixation |
| 11 | 565.543 | Retaining plate left |
| 12 | P479NA | Screw DIN 7991 M6 x 40 |
| 13 | P500Q | Washer SN 213912 M6 18/4,8 |
| 14 | 565.586 | Shell |
| 15 | 555.510 | Wheel |
| 16 | P479ND | Screw DIN 7991 M6 x 50 |
| 17 | P487W | Screw DIN 7991 M6 x 16 A2 |
| 18 | 565.545 | Retaining plate right |
| 19 | P209D | Castor with Screw M10 x 35 |

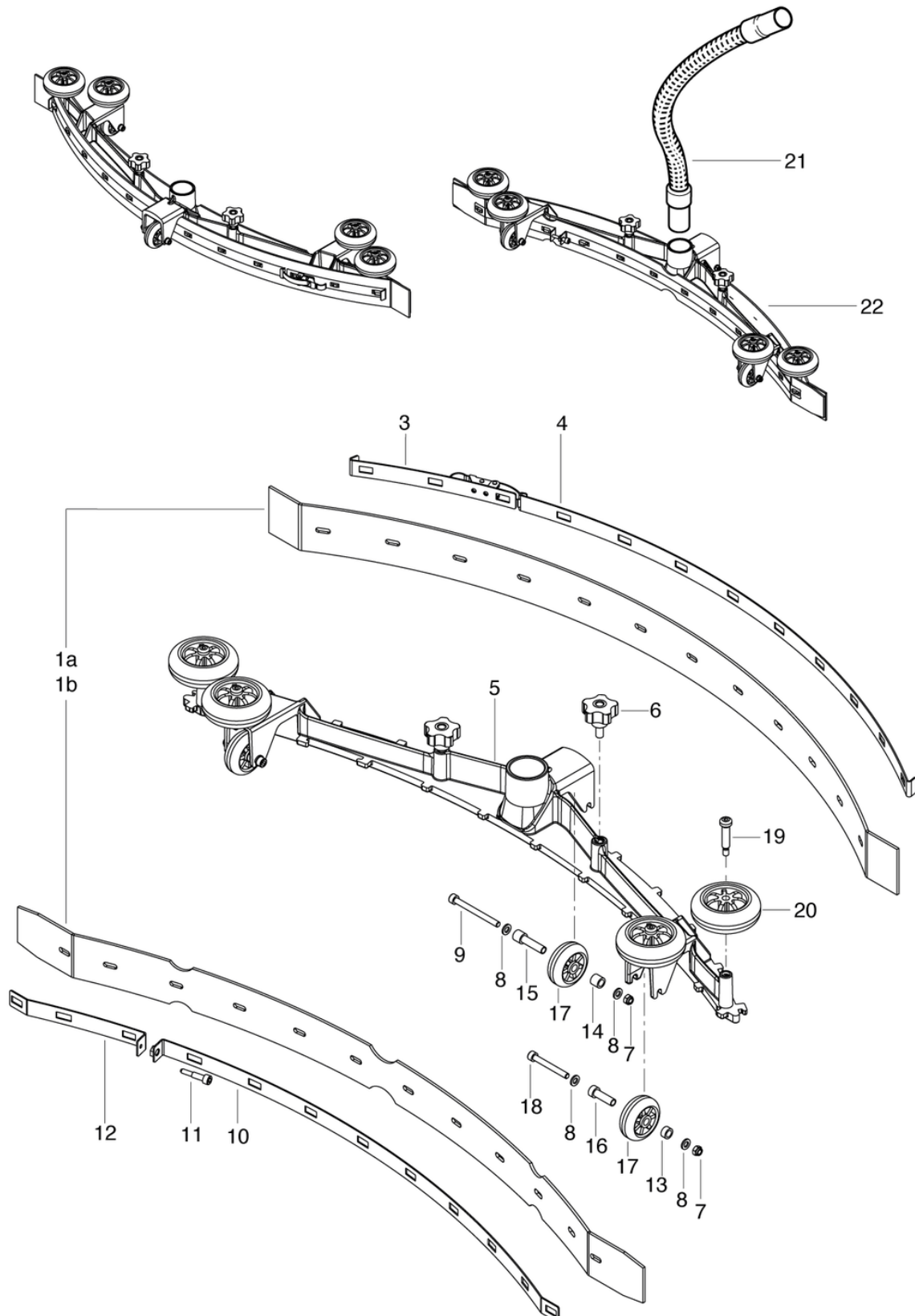
CLEANFIX RA 505 IBCT VDE

Suction nozzle curved from machine no. 335664.001

PDF created on: 10.11.2023 19:36



RA 505 IBCT



| Pos. | Item no. | Spare part |
|-------------|-----------------|-------------------------------------|
| 1a | 555.080LT | Rubber blade standard |
| 1b | 555.083 | Rubber blade oil resistant |
| 3 | 565.587 | Support plate rear right |
| 4 | 565.579 | Support plate rear left |
| 5 | 565.577 | Suction nozzle body |
| 6 | P253M | Star grip Ø62 M8 x 18 A2 |
| 7 | P492K | Nut DIN 985 M6 A2 |
| 8 | P497K | Washer DIN 125 A M6 6,4/12/1,6 A2 |
| 9 | P470F | Screw DIN 912 M6 x 65 A2 |
| 10 | 565.578 | Support plate front left |
| 11 | 800.425 | Machined screw DIN 912 M6 x 30 A2 |
| 12 | 565.588 | Support plate front right |
| 13 | 605.304 | Bushing Ø12 x Ø8 x 4.7 |
| 14 | 605.302 | Bushing Ø12 x Ø8 x 9.5 |
| 15 | 605.301 | Bushing Ø12 x Ø6.1 x 41 |
| 16 | 605.303 | Bushing Ø12 x Ø6.1 x 31.4 |
| 17 | P204E | Wheel with solid rubber tires D50mm |
| 18 | P470B | Screw DIN 912 M6 x 55 |
| 19 | P481RB | Screw ISO 7379 8 x 30 M6 |
| 20 | P204L | Skater wheel ø75 |
| 21 | 565.640 | Hose complete |
| 22 | 565.565A | Suction nozzle curved |

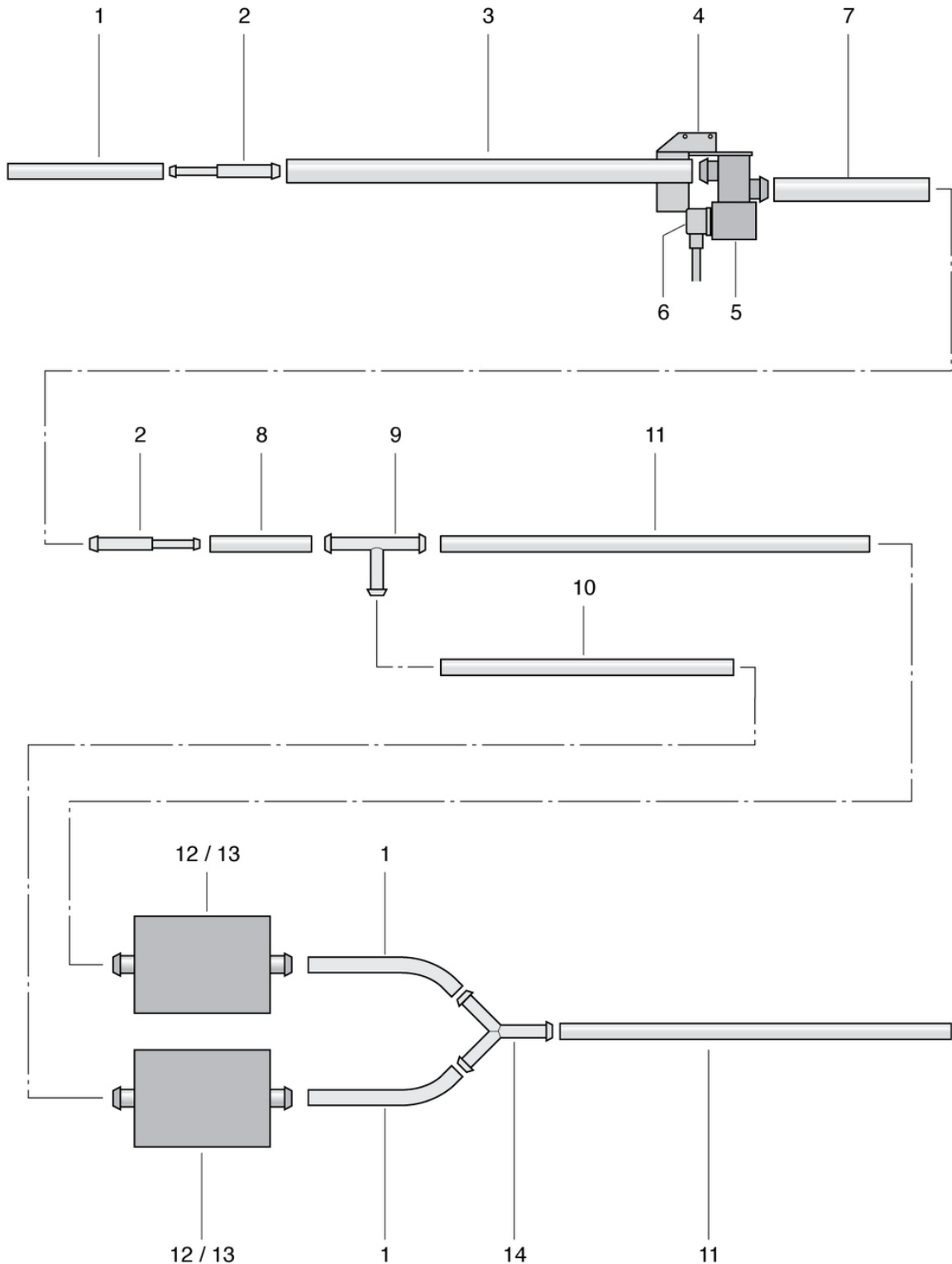
CLEANFIX RA 505 IBCT VDE

Hosesystem up to machine no. 9432.999

PDF created on: 10.11.2023 19:36



RA 505 IBCT



| Pos. | Item no. | Spare part |
|-------------|-----------------|--------------------------|
| 1 | 565.422 | Hose |
| 2 | P539Z | Nipple GRS 12-8 |
| 3 | 565.429 | Hose |
| 4 | 565.403 | Support |
| 5 | P258 | Magnetic valve 24V |
| 6 | 436.709 | Cable For Magnetic Valve |
| 7 | 565.425 | Hose |
| 8 | 565.427 | Hose |
| 9 | P544D | Connection piece TS8 |
| 10 | 565.426 | Hose |
| 11 | 565.428 | Hose |
| 12 | P817A | NDS-X Pump 24V |
| 13 | 565.405 | Rubber Connection Piece |
| 14 | P542E | Y-piece 8mm |

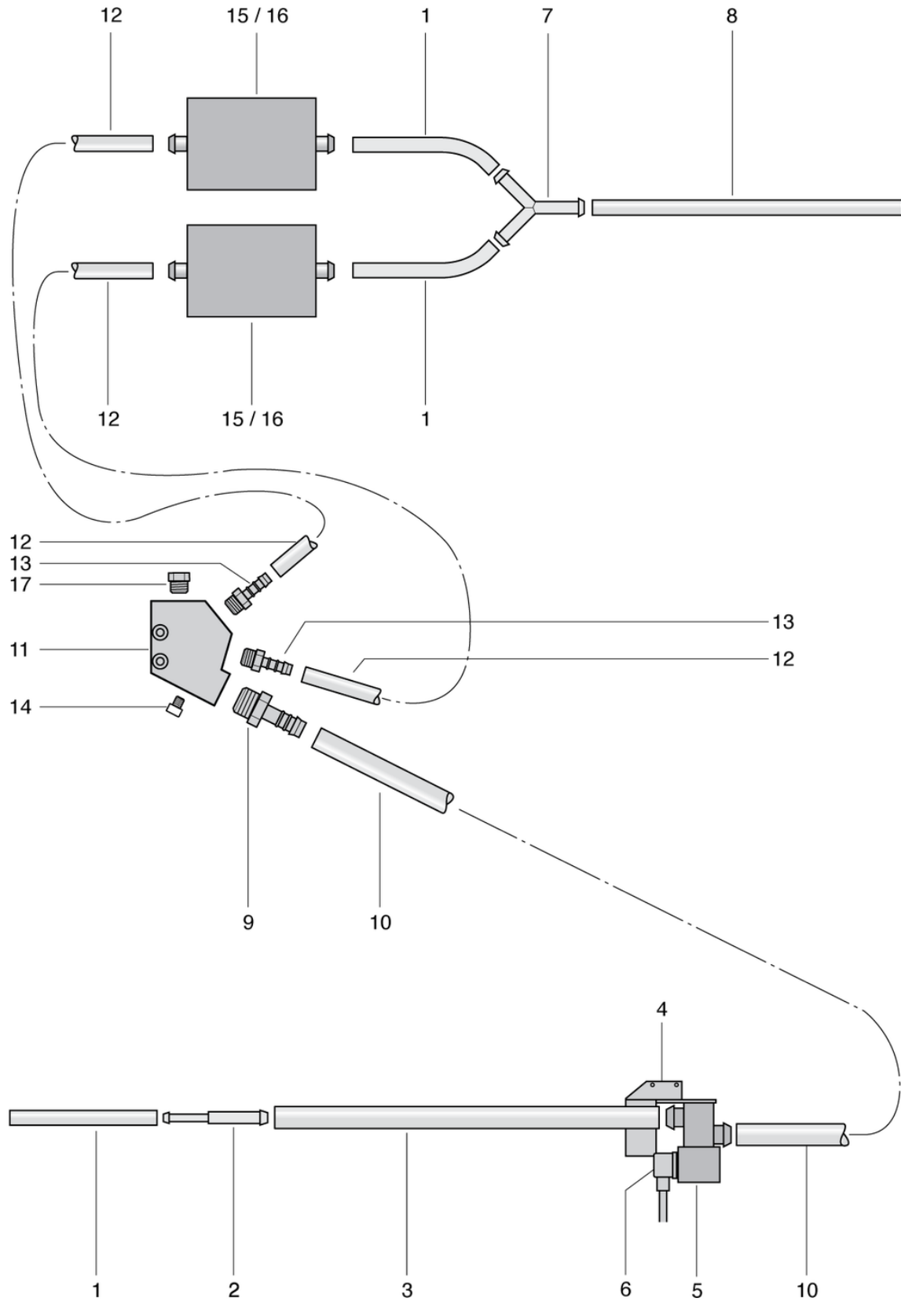
CLEANFIX RA 505 IBCT VDE

Hose system as from no. 9433.001

PDF created on: 10.11.2023 19:36



RA 505 IBCT



| Pos. | Item no. | Spare part |
|-------------|-----------------|---|
| 1 | 565.422 | Hose |
| 2 | P539Z | Nipple GRS 12-8 |
| 3 | 565.429 | Hose |
| 4 | 565.403 | Support |
| 5 | P258 | Magnetic valve 24V |
| 6 | 436.709 | Cable For Magnetic Valve |
| 7 | P542E | Y-piece 8mm |
| 8 | 565.428 | Hose |
| 9 | P540N | Straight nipple GES NW12 / R3 / 8 |
| 10 | 565.419 | Hose magnetic valve-nipple Ø18/12 x 190mm |
| 11 | 565.540 | Valve block |
| 12 | 565.418 | Hose |
| 13 | P540G | Straight nipple GES NW8 R 1/8 |
| 14 | P489C | Screw DIN 912 M5 x 6 A2 |
| 15 | P817A | NDS-X Pump 24V |
| 16 | 565.405 | Rubber Connection Piece |
| 17 | P542M | Blind plug R 1/4 |

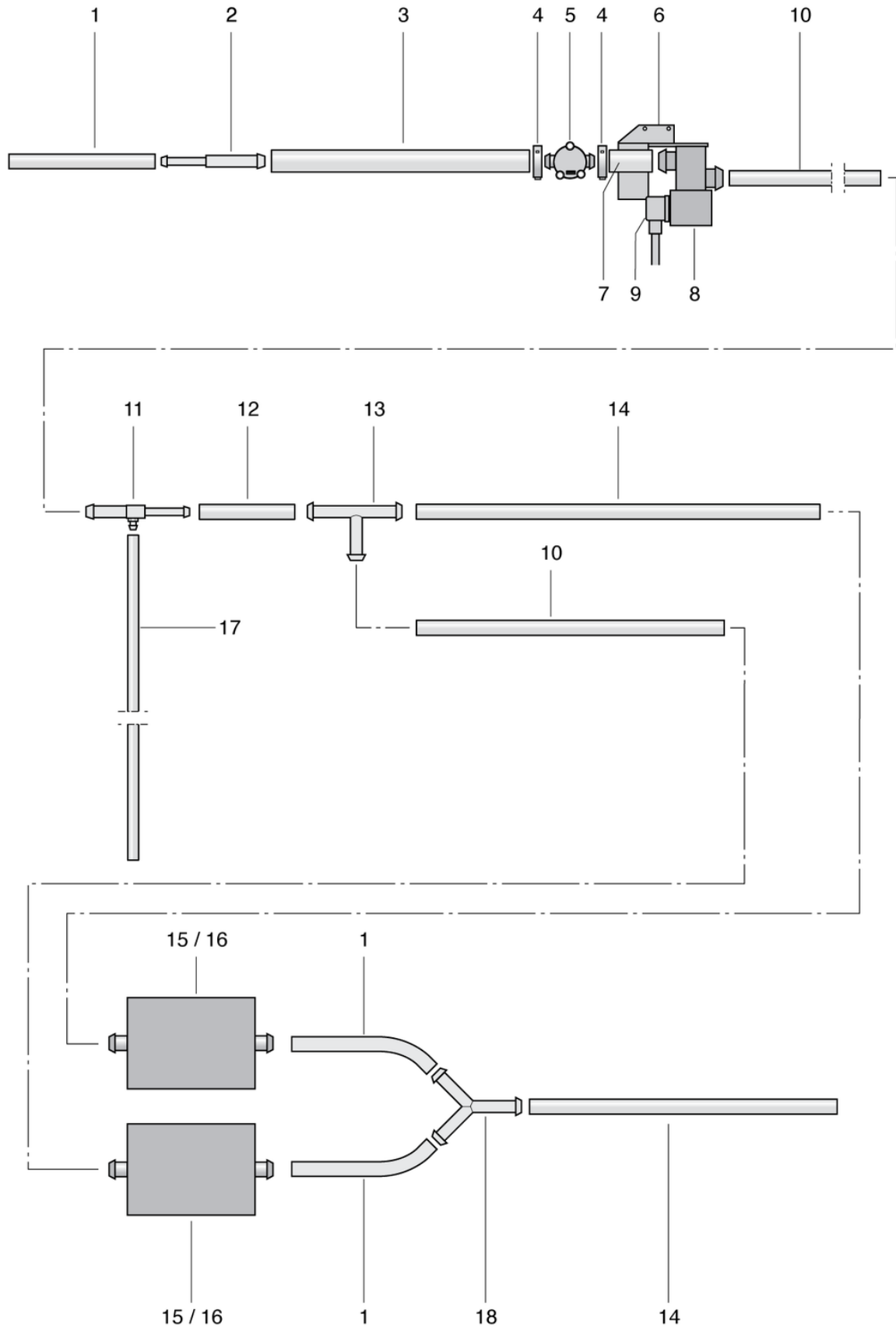
CLEANFIX RA 505 IBCT VDE

Hose system - Dosage up to machine no. 9432.999

PDF created on: 10.11.2023 19:36



RA 505 IBCT



| Pos. | Item no. | Spare part |
|-------------|-----------------|-------------------------|
| 1 | 565.422 | Hose |
| 2 | P539Z | Nipple GRS 12-8 |
| 3 | 565.423 | Hose d12x140 |
| 4 | P550N | Hose clamp 19.8-706R |
| 8 | P258 | Magnetic valve 24V |
| 11 | 565.420 | Nipple |
| 12 | 565.427 | Hose |
| 13 | P544D | Connection piece TS8 |
| 14 | 565.428 | Hose |
| 15 | P817A | NDS-X Pump 24V |
| 16 | 565.405 | Rubber Connection Piece |
| 17 | P567H | Hose PU colorless Ø6/4 |
| 18 | P542E | Y-piece 8mm |

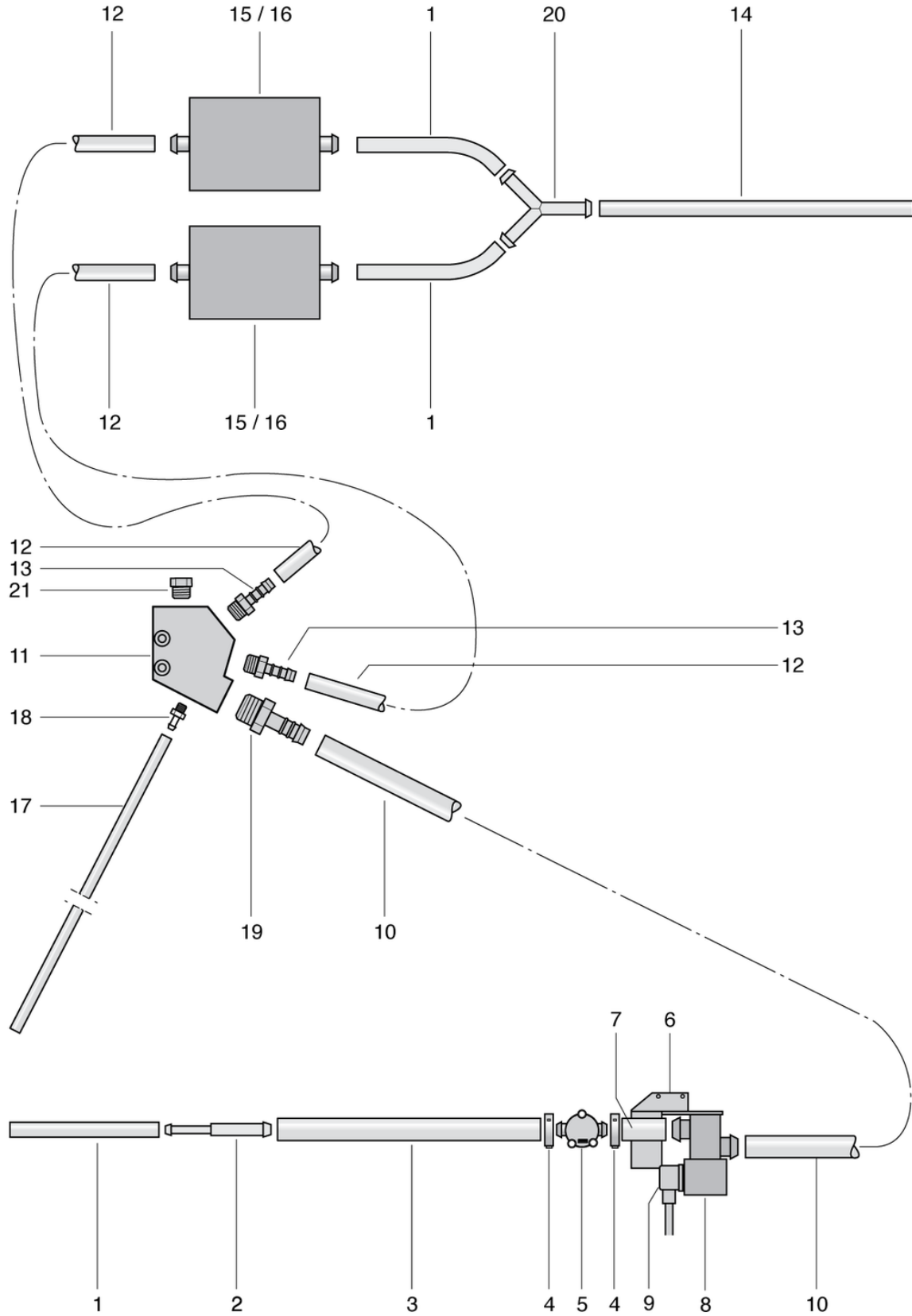
CLEANFIX RA 505 IBCT VDE

Hose system - Dosage as from no. 9433.001

PDF created on: 10.11.2023 19:36



RA 505 IBCT



| Pos. | Item no. | Spare part |
|-------------|-----------------|---|
| 1 | 565.422 | Hose |
| 3 | 565.423 | Hose d12x140 |
| 4 | P550N | Hose clamp 19.8-706R |
| 5 | 565.406 | Flowmeter |
| 6 | 565.403 | Support |
| 8 | P258 | Magnetic valve 24V |
| 9 | 436.709 | Cable For Magnetic Valve |
| 10 | 565.419 | Hose magnetic valve-nipple Ø18/12 x 190mm |
| 11 | 565.540 | Valve block |
| 12 | 565.418 | Hose |
| 13 | P540G | Straight nipple GES NW8 R 1/8 |
| 15 | P817A | NDS-X Pump 24V |
| 16 | 565.405 | Rubber Connection Piece |
| 18 | 320.170 | Screw in Socket |
| 19 | P540N | Straight nipple GES NW12 / R3 / 8 |
| 20 | P542E | Y-piece 8mm |
| 21 | P542M | Blind plug R 1/4 |

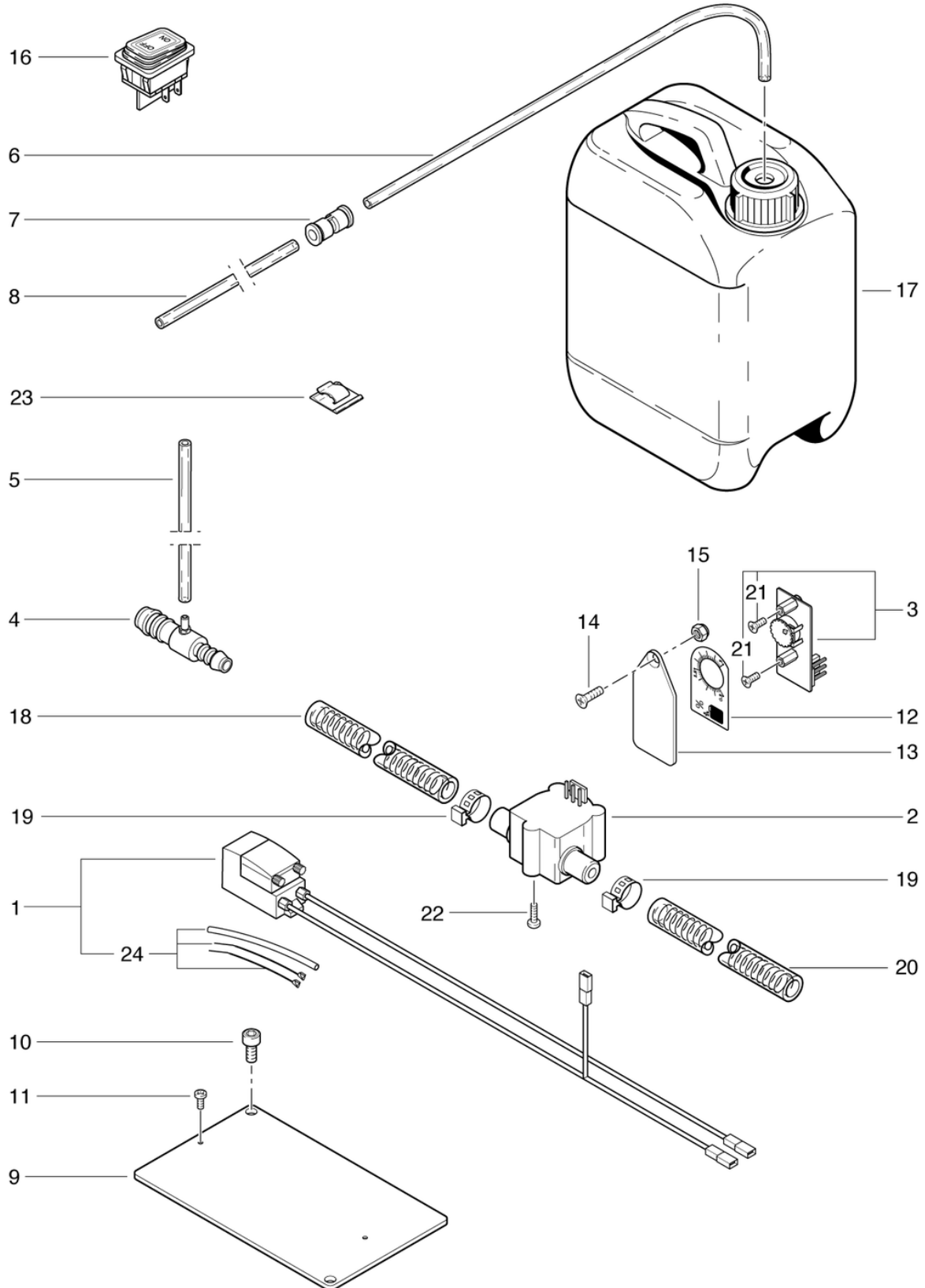
CLEANFIX RA 505 IBCT VDE

Optional chemical dosing

PDF created on: 10.11.2023 19:36



RA 505 IBCT



| Pos. | Item no. | Spare part |
|-------------|-----------------|--------------------------------------|
| 1 | 565.491 | Chemical Dosing Pump |
| 2 | 565.406 | Flowmeter |
| 3 | 565.488 | Potiprint dosing pump |
| 4 | 565.420 | Nipple |
| 5 | P567H | Hose PU colorless Ø6/4 |
| 6 | 320.254 | Spray Hose ø 6 / 4 x 0,41m |
| 7 | 565.435 | Connection Piece |
| 8 | 565.432 | Hose double nipple-Pump 4/6 x 1800mm |
| 9 | 565.434 | Adaptor plate |
| 10 | P489E | Screw DIN 912 M5 x 10 A2 |
| 11 | P4760 | Screw ISO DIN 7380 M3 x 8 A2K |
| 12 | 565.439 | Sticker |
| 13 | 565.487 | Cover flap |
| 14 | P479B | Screw DIN 965 M4 x 10 A2 |
| 15 | P493D | Stopp-nut DIN 985 M4 A2 |
| 16 | P241 | Rocker switch white 24V |
| 17 | 565.535 | Canister 5l empty |
| 18 | 565.423 | Hose d12x140 |
| 19 | P550N | Hose clamp 19.8-706R |
| 20 | 565.424 | hose Flowmeter - Nipple |
| 21 | P479X | Screw DIN 965 M3 x 5 |
| 22 | P516P | Screw WN 1452 K40 x 12 |
| 23 | P360 | Nature cable holder |
| 24 | 565.481 | Pump hose set |

CLEANFIX RA 505 IBCT VDE

Wiring diagram

PDF created on: 10.11.2023 19:36



RA 505 IBCT

