

# CLEANFIX RA395 IBC VDE

## Contents

PDF created on: 10.11.2023 19:29



RA 395 IBC

Griff  
Levier  
Handle  
**B 6 / ST 6**

Frisch- und Schmutzwassertank  
Recipient d'eau propre et Recipient d'eau sale  
Clean water tank and Waste water tank  
**B 1 / ST 1 + B 1a / ST 1a**

Sauggebläse  
Suceur avant  
Suction motor  
**B 3 / ST 3**

Chassis und Laufrad  
Chassis et Roue  
Chassis and Wheel  
**B 2 / ST 2**

Batterie-Elektronik  
Batterie Électronique  
Battery Electronics  
**B 4 / ST 4**

Saugdüsenaufhängung  
Suspension bec de dévolteur  
Suspension suction nozzle  
**B 8 / ST 8**  
**B 8a / ST 8a**

Saugdüse kpl.  
Buse d'aspiration cpl.  
Suction nozzle cpl.  
**B 7 / ST 7**  
**B 7a / ST 7a**

Bürstenkopf kpl.  
Tête de brosse cpl.  
Brush head cpl.  
**B 5 / ST 5**  
**B 5a / ST 5a**

Stromlaufplan  
Diagramme électrique  
Wiring diagram  
**B 9 / ST 9**

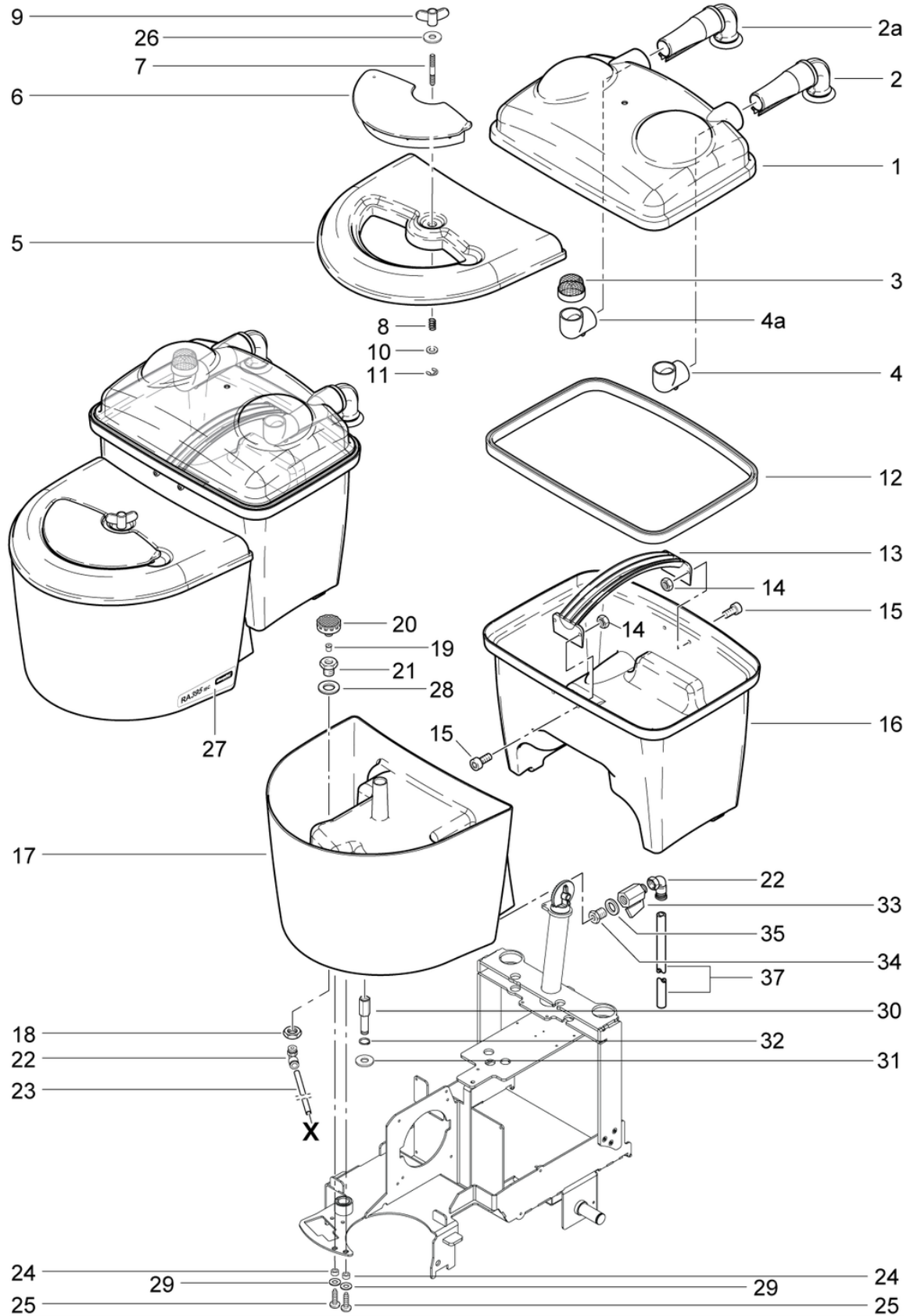
# CLEANFIX RA395 IBC VDE

## Clean water tank and Waste water tank

PDF created on: 10.11.2023 19:29



RA 395 IBC



<b>Pos.</b>	<b>Item no.</b>	<b>Spare part</b>
1	395.403	Transparent cover
2a	395.404A	Suction nozzle red
2	395.404	Suction nozzle black
3	400.766B	air filter sieve compl.
4a	395.203A	Socket red 70mm
4	043.203	Connection naturally transparent 45mm
5	395.408	Fresh water cover
6	395.409	Fresh water cap
7	436.226	Shaft
8	436.228	Compression spring DIN 2095 0.8 / 10.8 / 30
9	P174	Wing nut M8 IG
10	P496P	Washer DIN 125 A M8 8,4/16/1,6 A2
11	P500K	Washer DIN 6799 6/12/0,7 A2
12	395.440	Seal dirty water cover
13	395.432	Carry handle red
14	P493G	Nut DIN 985 M5
15	P488B	Screw DIN 912 M5 x 12 A2
16	395.402	Dirty water tank
17	395.410	Fresh water tank
18	P535B	Nut 3/8 Ms
19	395.423	Reduction nozzle
20	500.421	Water Filter
21	P535E	Hollow nipple 3/8 - 1/4 x 16 Ms
22	P533F	Screw-in connection short ø8 G1/4"
23	395.601	Hose PU transp. ø 8 / 5 x 0.075m
24	395.422	Tank attachment front
25	P516G	Screw WN 1451 K40 x 16
26	P497T	Shim DIN 9021 M8 8,4/24/2 A2
27	395.906	SK- Sticker RA 395 IBC
28	P097	Sealing shim 30/17/2 PE
29	P497G	Washer DIN 125 A M5 5,3/10/1 A2
30	395.416	Threaded bolt
31	P510A	Shim DIN 125 A M10 10,5/20/2 PA6.6
32	P513C	Ring DIN 471 10/1,0
33	P508C	Ball valve 1/4 short thread
34	395.434	Nut G1 / 4 x 21.5
35	030.015	Seal 20 x 13 x 2mm
37	700.387	Water Hose

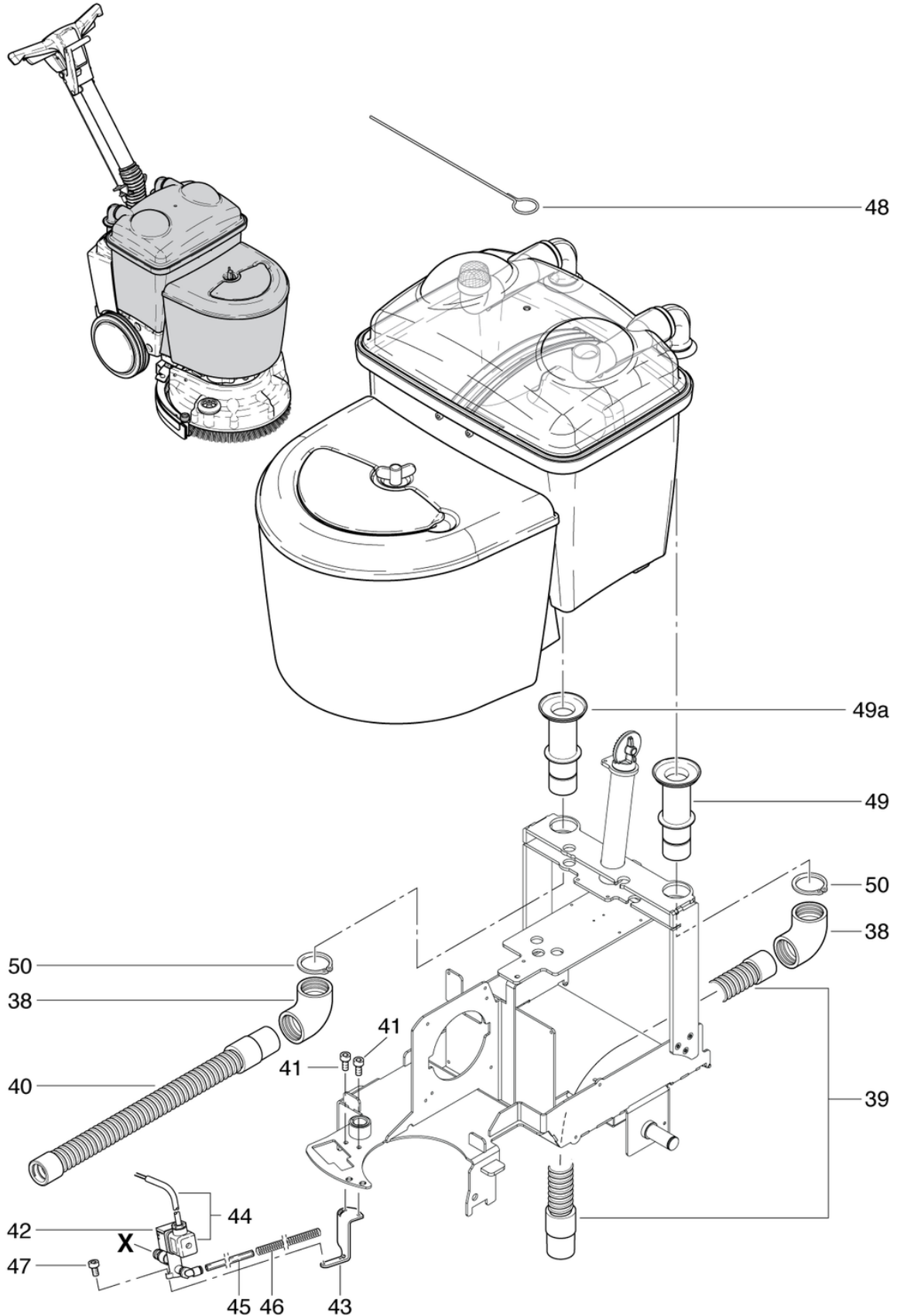
# CLEANFIX RA395 IBC VDE

## Clean water tank and Waste water tank-a

PDF created on: 10.11.2023 19:29



RA 395 IBC



<b>Pos.</b>	<b>Item no.</b>	<b>Spare part</b>
38	395.406	PVC sleeve 90°
39	395.415	Hose to suction nozzle
40	395.414	Hose to suction motor
41	P488E	Screw DIN 912 M5 x 8 A2
42	395.600	Magnetic valve Type E 151 PPS 40 w. screwing
43	395.420	Valve holder
44	P359M	Cable harness magnetic valve incl. plug
45	395.602	Hose PU transp. ø 8 / 5 x 0.15m
46	900.162A	Compression spring 0.8 / 9.5 / 120
47	P486A	Screw DIN 912 M4 x 12
48	395.435	Holding rope ø 3 x 260mm
49a	395.405A	Red connector
49	395.405	Anthracite gray connector
50	P513ED	Ring DIN 471 40/1,75

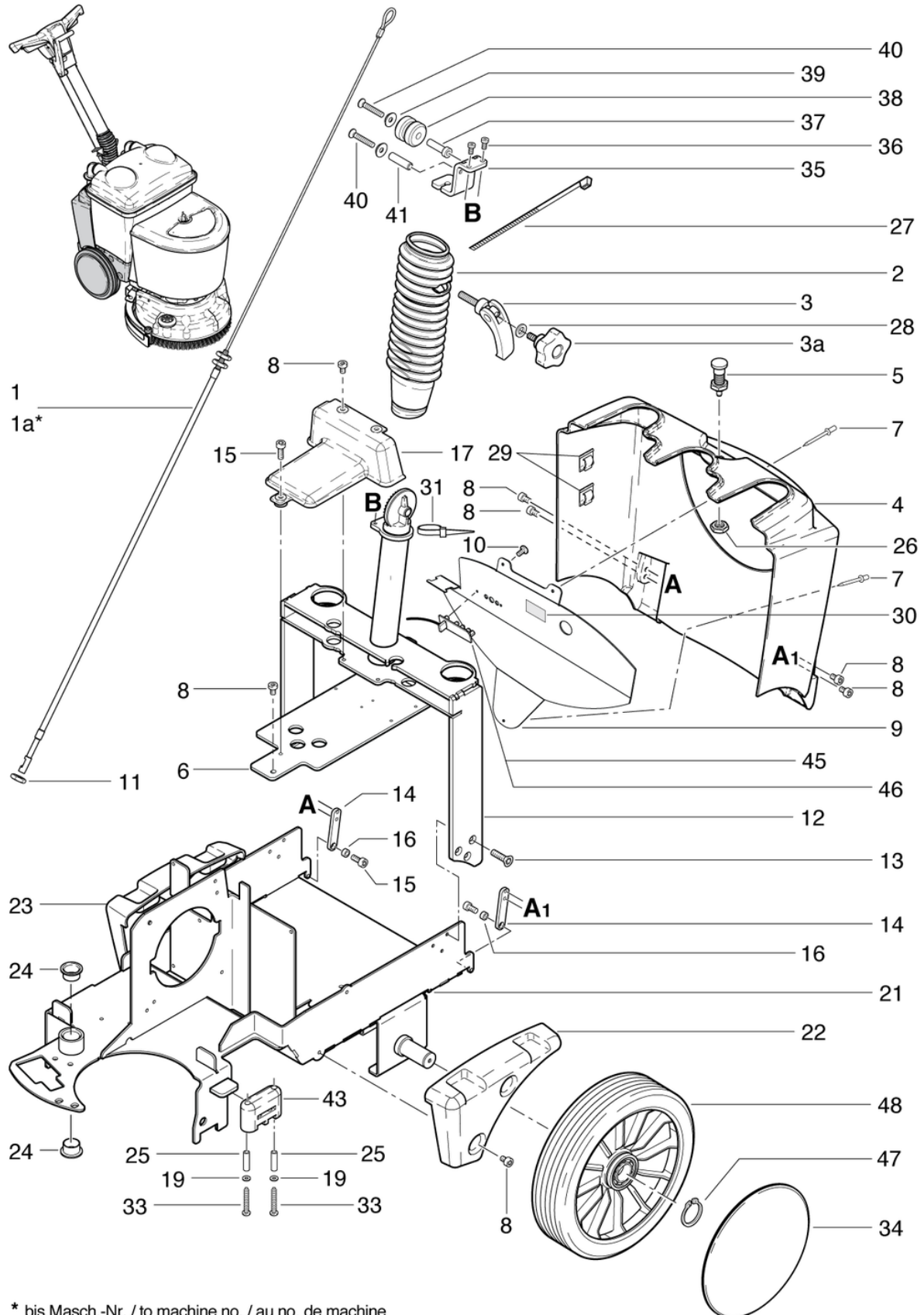
# CLEANFIX RA395 IBC VDE

## Chassis and Wheel

PDF created on: 10.11.2023 19:29



RA 395 IBC



\* bis Masch.-Nr. / to machine no. / au no. de machine  
9602.001

<b>Pos.</b>	<b>Item no.</b>	<b>Spare part</b>
1a*	395.433	Bowden cable nozzle lifting 1.04m
1	395.437	Bowden cable nozzle lifting 0,93m
2	395.210	Protection bellows
3a	P253K	Star grip Ø62 M8 x 30
3	P085I	Locking handle M8 x 35
4	395.401	Battery cover anthracite grey
5	P171	Latching bolt with locknut M12 x 1,5 x 28
6	395.215	Fixing plate
7	P485J	Rivet Ø 3x10
8	P488E	Screw DIN 912 M5 x 8 A2
9	395.407	Separation
10	P488L	Screw DIN 912 M3 x 5
11	P491R	Nut DIN 439 B M10 x 0.5d St vz
12	395.211	Stick holder
13	P488B	Screw DIN 912 M5 x 12 A2
14	395.417	Lever
16	395.418	Storage battery cover
17	395.426	Cover Ele-Box
19	P497G	Washer DIN 125 A M5 5,3/10/1 A2
21	395.400	Chassi
22	395.412	Side protection left red
23	395.411	Side protection right red
24	P321I	Permaglide flange socket 18/20/12
25	P815Q	Tank storage tin long
26	P491MB	Nut DIN 439 M12 x 1.5 St galvanized
27	P609B	Cable tie weatherproof- 3,5 x 200
28	P496P	Washer DIN 125 A M8 8,4/16/1,6 A2
29	P360	Nature cable holder
30	395.910	Self-adhesive label motor protection switch
31	P421	Cable tie black 2.5 x 98mm
33	P515N	Screw WN 1452 K50 x 35
34	530.242	Wheel Cover Red
35	395.212	Cable holder
36	P487YZ	Screw DIN 7984 M5 x 10 galvanized
37	395.436	Bushing ø 5.2 / 12 x 32
38	395.214	cable support
39	P496H	Shim DIN 125 A M5 5,3/10/1
40	P486N	Screw DIN 912 M5 x 40 with shaft
41	395.213	Axe Ø 9 x 33
43	P318	Fresh water tank farm
45	395.908	Wiring harness charger

<b>Pos.</b>	<b>Item no.</b>	<b>Spare part</b>
46	P415A	LED indicator for charger RA395
47	P513EA	Ring DIN 471 20/1,2 A2
48	530.240	wheel ø226 x 53 including bearings



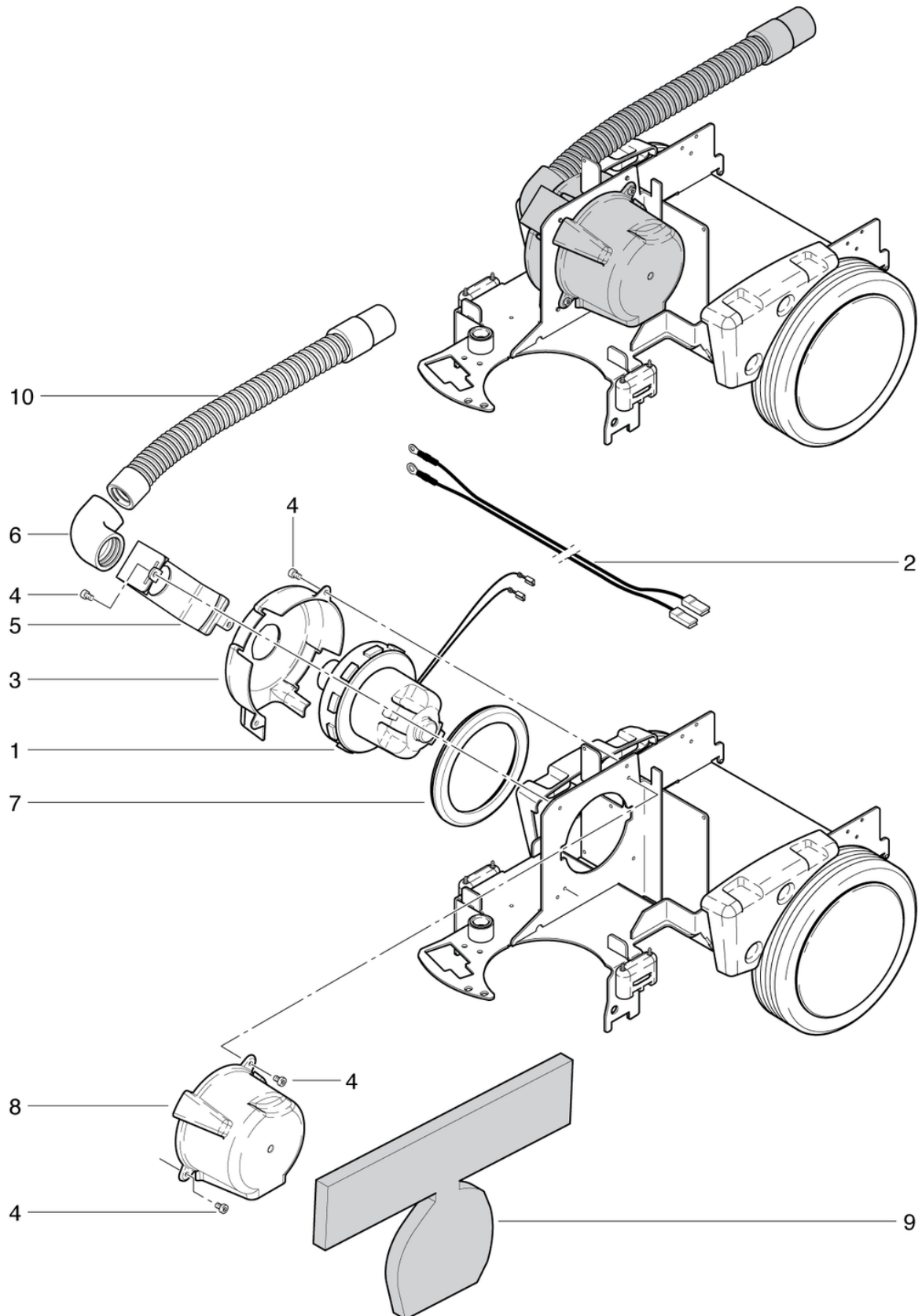
# CLEANFIX RA395 IBC VDE

## Suction motor

PDF created on: 10.11.2023 19:29



RA 395 IBC



<b>Pos.</b>	<b>Item no.</b>	<b>Spare part</b>
1	P882	Suction motor 12V DC, 175W
2	395.904	Wiring harness suction motor
3	395.413	Blower cover right
4	P488E	Screw DIN 912 M5 x 8 A2
5	395.424	Blower holder
6	395.406	PVC sleeve 90°
7	330.057	Seal
8	395.427	Blower cover left
9	395.438	Sound insulation mat
10	395.414	Hose to suction motor

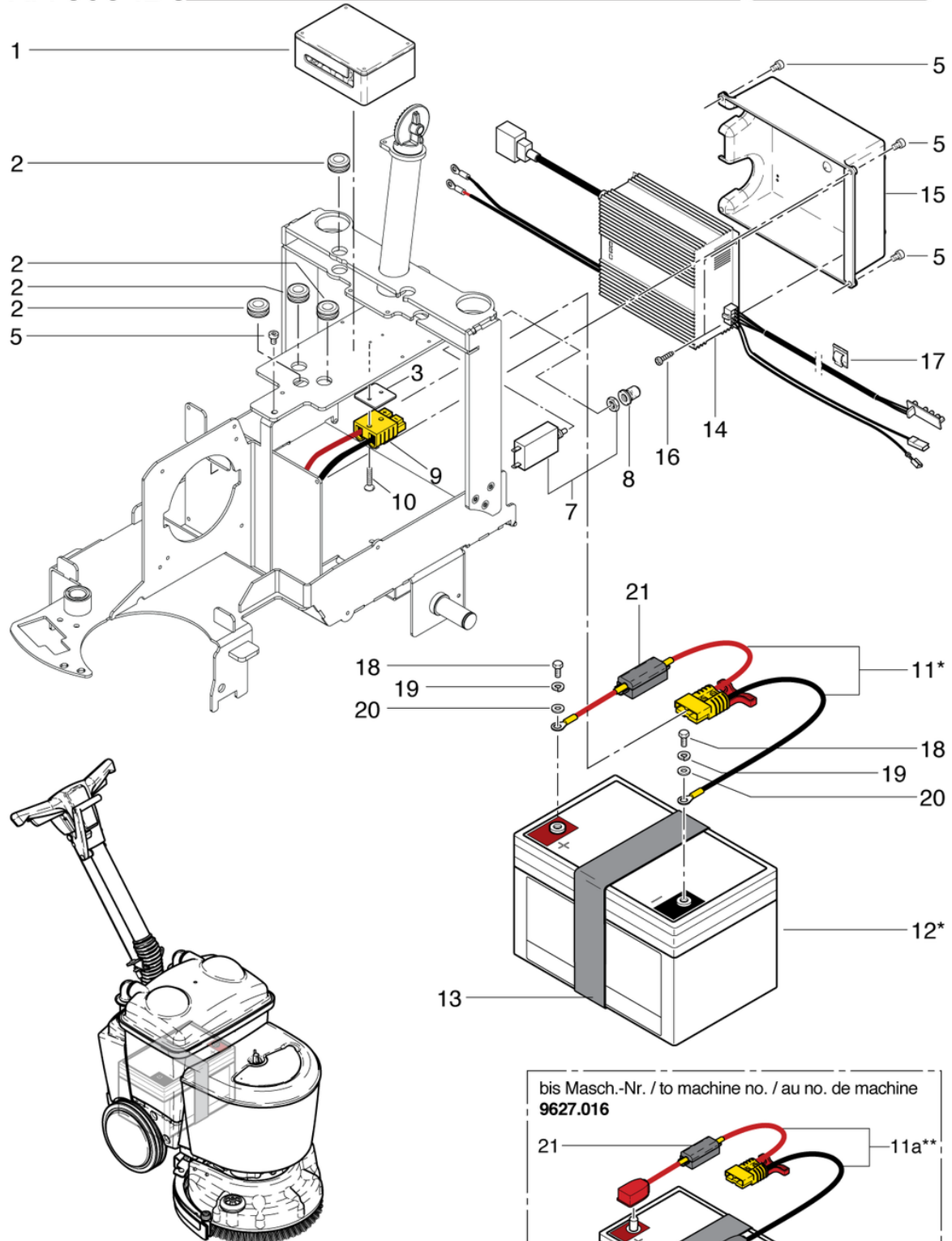
# CLEANFIX RA395 IBC VDE

## Battery - Electronics

PDF created on: 10.11.2023 19:29



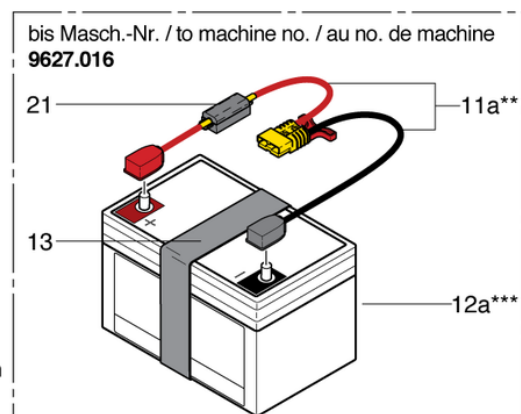
### RA 395 IBC



\* ab Masch.-Nr. / from machine no. / de no. de la machine  
**9627.017**

\*\* bis Masch.-Nr. / to machine no. / au no. de machine  
**9627.016**

\*\*\* Batterie nicht mehr erhältlich es muss Pos.12+11 gekauft werden  
Battery no longer available, pos.12+11 must be purchased  
Batterie plus disponible, il faut acheter pos.12+11



<b>Pos.</b>	<b>Item no.</b>	<b>Spare part</b>
1	395.371	Electronics incl. housing
2	P409B	CR type DA black, inside Ø13mm
3	395.268	Reinforcing plate
5	P488E	Screw DIN 912 M5 x 8 A2
7	500.959	Protect Switch 30A
8	500.957A	Protective Cap
9	395.903	Wiring harness electric box
10	P477C	Screw DIN 912 M3 x 18
11a**	395.902A	Cable harness battery A-Pol
11*	395.902	Wiring harness battery Pol M6
12a***	—	Battery no longer available, it must Pos.12 and Pos to buy 11th
12*	395.092	Gel battery 12 V/52 Ah (C5) Eternity
13	320.089	Velcro strap 50 x 810mm
14	395.905	on board battery charger 12V 10A
15	395.428	Charger cover
16	P484N	Screw DIN 7981 C 3,5 x 9,5
17	P360	Nature cable holder
18	P472R	Screw DIN 933 M6 x 12 A2
19	P498U	Ring DIN 127 B M6 6,1/11,8/1,6 A2
20	P497K	Washer DIN 125 A M6 6,4/12/1,6 A2
21	395.372	Strip fuse 60A

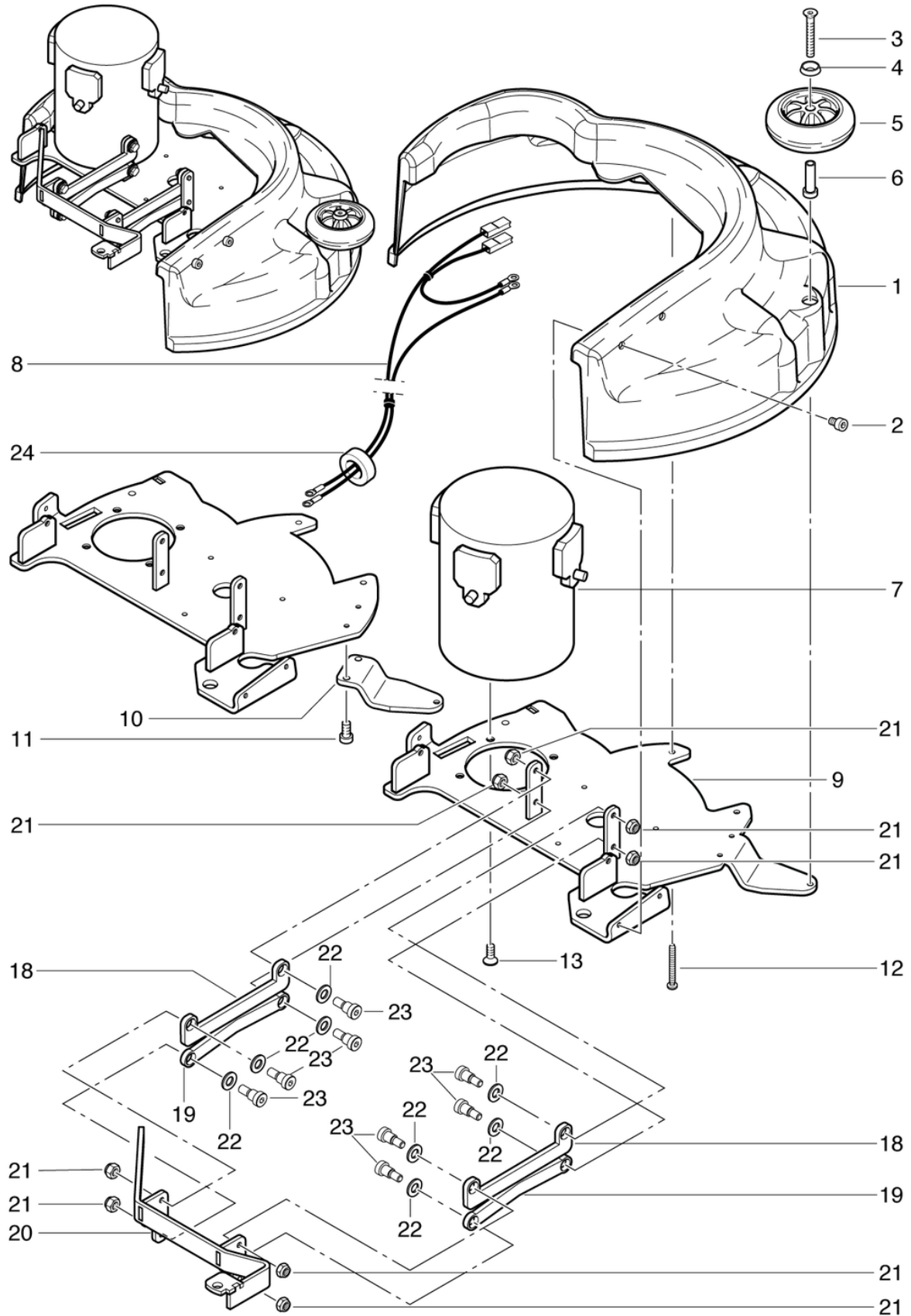
# CLEANFIX RA395 IBC VDE

## Brush head

PDF created on: 10.11.2023 19:29



RA 395 IBC



<b>Pos.</b>	<b>Item no.</b>	<b>Spare part</b>
1	395.516	Brush head cover red
2	P488E	Screw DIN 912 M5 x 8 A2
3	P479NA	Screw DIN 7991 M6 x 40
4	P500Q	Washer SN 213912 M6 18/4,8
5	555.510	Wheel
6	395.436	Bushing $\varnothing$ 5.2 / 12 x 32
7	395.507	Brush drive motor 12V 300W
8	395.901	Wiring harness brush motor motor protection
9	395.509	Motor-head holder
10	395.515	Wheel holder
11	P488B	Screw DIN 912 M5 x 12 A2
12	P517A	Screw WN 1452 K40 x 35
13	P487W	Screw DIN 7991 M6 x 16 A2
18	395.513	Strut on top
19	395.512	Strut below
20	395.514	Scenery plate
21	P492K	Nut DIN 985 M6 A2
22	P496P	Washer DIN 125 A M8 8,4/16/1,6 A2
23	395.520	Bearing screw M6
24	P050	Ferrit Role

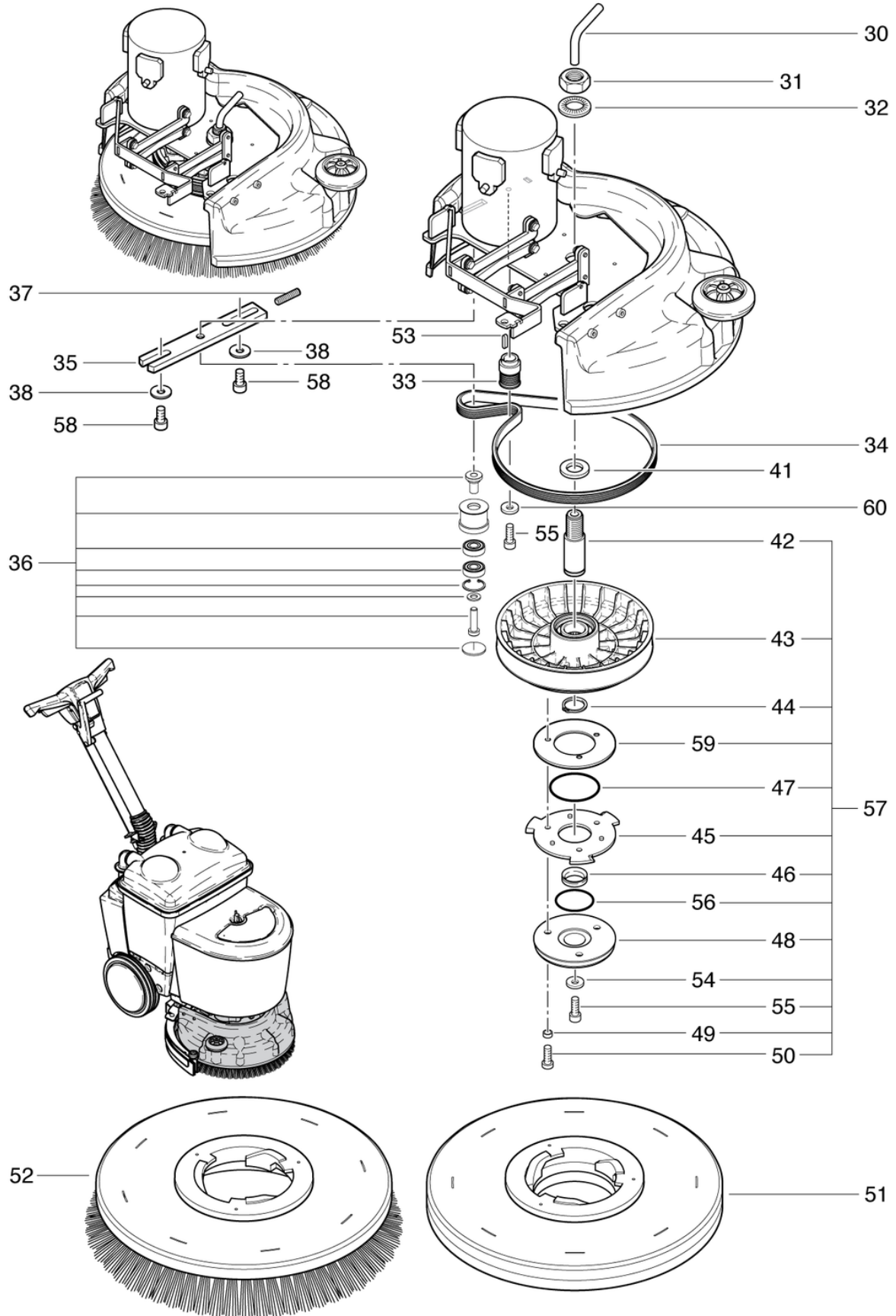
# CLEANFIX RA395 IBC VDE

## Brush head-a

PDF created on: 10.11.2023 19:29



RA 395 IBC



<b>Pos.</b>	<b>Item no.</b>	<b>Spare part</b>
30	395.518	Lye pipe
31	P492R	Nut DIN 934 M20 x 1.5 A2
32	P498Q	Shim NFE 25511 M20 20,5/40/4,9
33	395.506	Wheel bolt motor
34	395.504	Poly-V-bolt
35	395.510	Tension rail
36	395.500	Idler pulley cpl.
37	P513J	Pin DIN 913 M6 x 30 A2
38	P497H	Washer DIN 9021 M6 6,4/18/1,6 A2
41	395.511	Bush $\varnothing$ 35 / 20.1 x 5
42	395.508	Main shaft
43	395.503	Wheel bolt
44	P513D	Ring DIN 471 25/1,2
45	742.141	Pad Hub
46	P344	Shaft sealing ring 25x40x3 EPDM/V2A
47	P964A	Ring DIN 3771 55,25/2,62 EPDM
48	430.157	Pad Driver Hub
49	742.129	Distance ring $\varnothing$ 8 / 6 x 4
50	P487S	Screw DIN 912 M6 x 20 A2
51	395.070	Driving disc $\varnothing$ 38,1cm
52	395.059	Scrubbing brush with splash guard 15"
53	P512G	Wedge DIN 6885 5/5/20 A4
54	P495ZA	Shim DIN 7349 M6 6,4/17/3
55	P472T	Screw DIN 933 M6 x 20 A2
56	P964B	Ring DIN 3771 42,52/2,62 EPDM
57	395.502	Wheel bolt compl.
58	P486R	Screw DIN 912 M6 x 16
59	430.136	Distance shim 46 x 99 x 1
60	P510L	Washer DIN 522 M6 6,4/25/1,5 A2



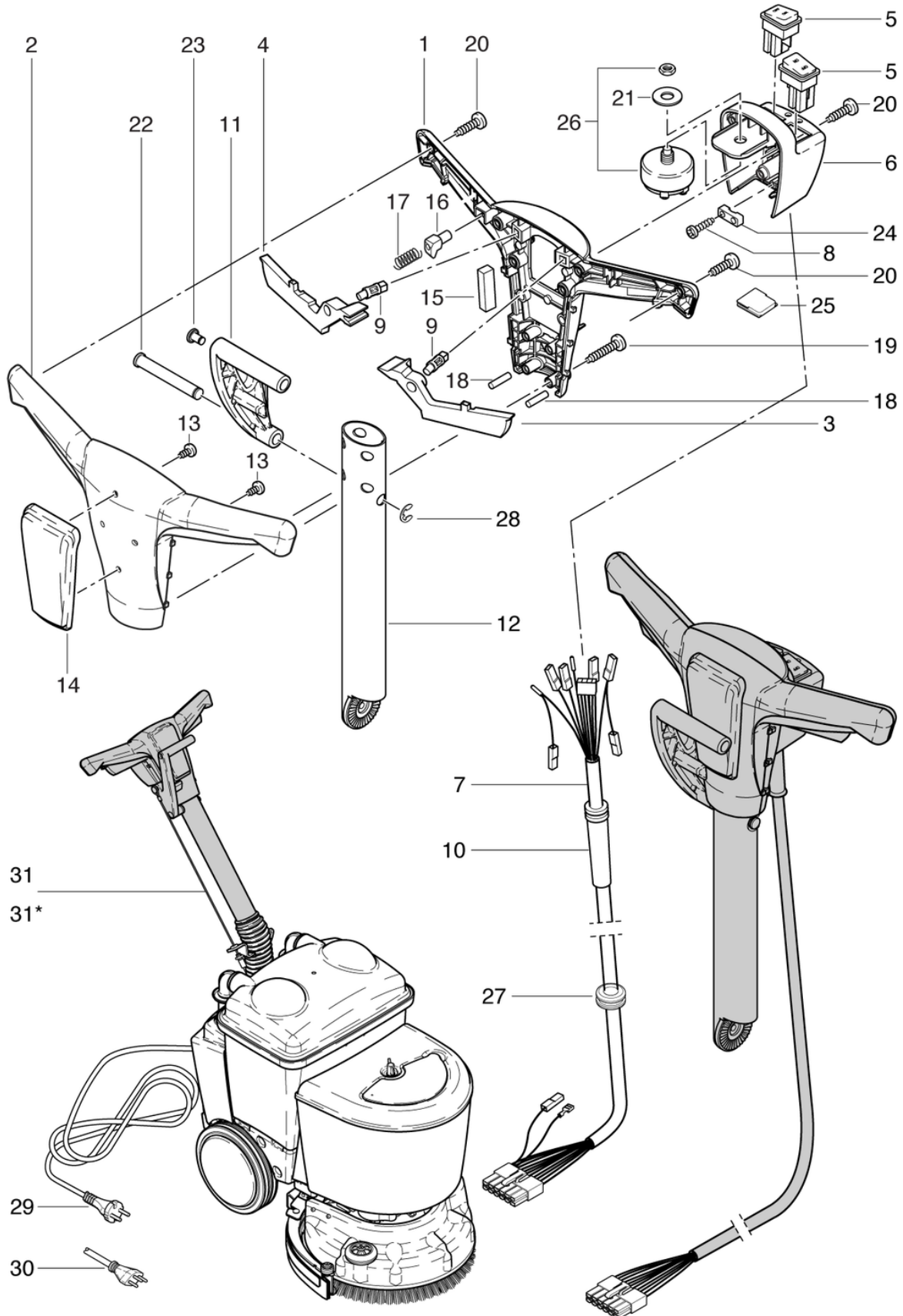
# CLEANFIX RA395 IBC VDE

## Handle housing

PDF created on: 10.11.2023 19:29



RA 395 IBC



\* bis Masch.-Nr. / to machine no. / au no. de machine 9602.001

<b>Pos.</b>	<b>Item no.</b>	<b>Spare part</b>
1	395.201	Main shell anthracite grey
2	395.202	Cover shell anthracite grey (with holes)
3	749.204	Gear Lever left
4	749.203	Gear Lever right
5	P231	Rocker switch white 12V
6	438.4540	electrical cap RAL5003 machined
7	395.319	Wiring harness bumper
8	P516Q	Screw WN 1452 K50 x 18
9	749.205	Pin red
10	660011014	R53-1100 Cable Sleeve
11	438.4560	Suction nozzle lift lever, anthracite gray
12	395.208	Shock tube cpl.
13	P515W	Screw WN 1451 K40 x 8
14	395.205	Red cover
15	438.455	cover 13x 47,5x10mm
16	749.208	Locking bolt
17	742.209	Compression spring VD-090L 0.55 / 6 / 29.2
18	P514A	Straight pin ISO 2338 8 x 30
19	P515E	Screw WN 1452 K50 x 30
20	P515Z	Screw WN 1452 K50 x 16
21	P496A	Washer DIN 522 M12 13/30/1,6
22	438.460	Cover plate
23	438.459	rope bolt
24	4611085	Cable Clamp
25	749.218	closing lid
26	6650454	Switch
27	P409B	CR type DA black, inside Ø13mm
28	P499Q	Shim DIN 6799 8/16,3/1
29	436.790	Main cable VDE 3 x 1.00mm <sup>2</sup> , black
30	436.791	Cable SEV 3 x 1,00mm <sup>2</sup> , black, 2.50m
31*	395.433	Bowden cable nozzle lifting 1.04m
31	395.437	Bowden cable nozzle lifting 0,93m

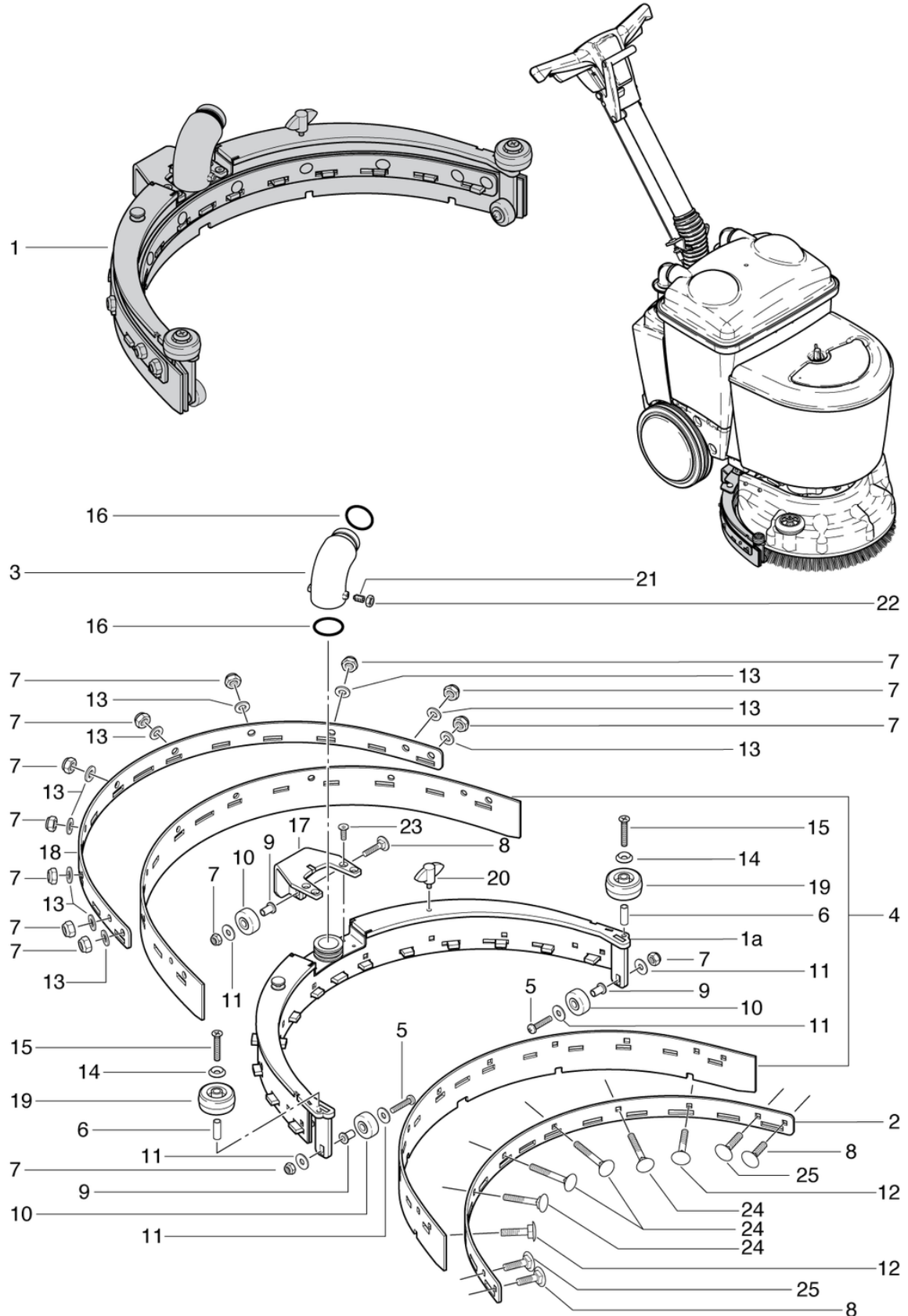
# CLEANFIX RA395 IBC VDE

## Suction nozzle, to machine no. 335971.001

PDF created on: 10.11.2023 19:29



RA 395 IBC



<b>Pos.</b>	<b>Item no.</b>	<b>Spare part</b>
1a	395.301	suck foot
1	395.300	suck jet
2	395.302	Front holding rail
3	433.104	Inlet side $\varnothing 32 / 26,5 \times 90^\circ$
4	395.080LT	Rubber blade red, standard
5	P476H	Screw DIN 7985 M5 x 25
6	433.110	can
7	P493G	Nut DIN 985 M5
8	P481GF	Screw DIN 603 M5 x 20
9	433.109A	Bushing $\varnothing 11 / 5.2 \times 12.8$
10	395.439	Roller $\varnothing 25 / 7,05$
11	P497H	Washer DIN 9021 M6 6,4/18/1,6 A2
12	P481GE	Screw DIN 603 M5 x 30
13	P497E	Shim DIN 9021 M5 5,3/15/1,2 A2
14	P500Q	Washer SN 213912 M6 18/4,8
15	P479S	Screw DIN 965 M6 x 35
16	P964C	Ring DIN 3771 26 / 2.5 NBR
17	395.306	Rear wheel holder
18	395.303	Rear holding rail
19	395.140	Mini polyamide wheel $\varnothing 40\text{mm}$
20	P253R	Wing screw $\varnothing 48 \text{ M6} \times 10$
21	P483A	Pin ISO 4028 M4 x 12 St galvanized
22	P491L	Nut DIN 934 M4 A2
23	P480KA	Screw DIN 7991 M4 x 12 A2
24	P481GD	Screw DIN 603 M5 x 40
25	P481GG	Screw DIN 603 M5 x 25

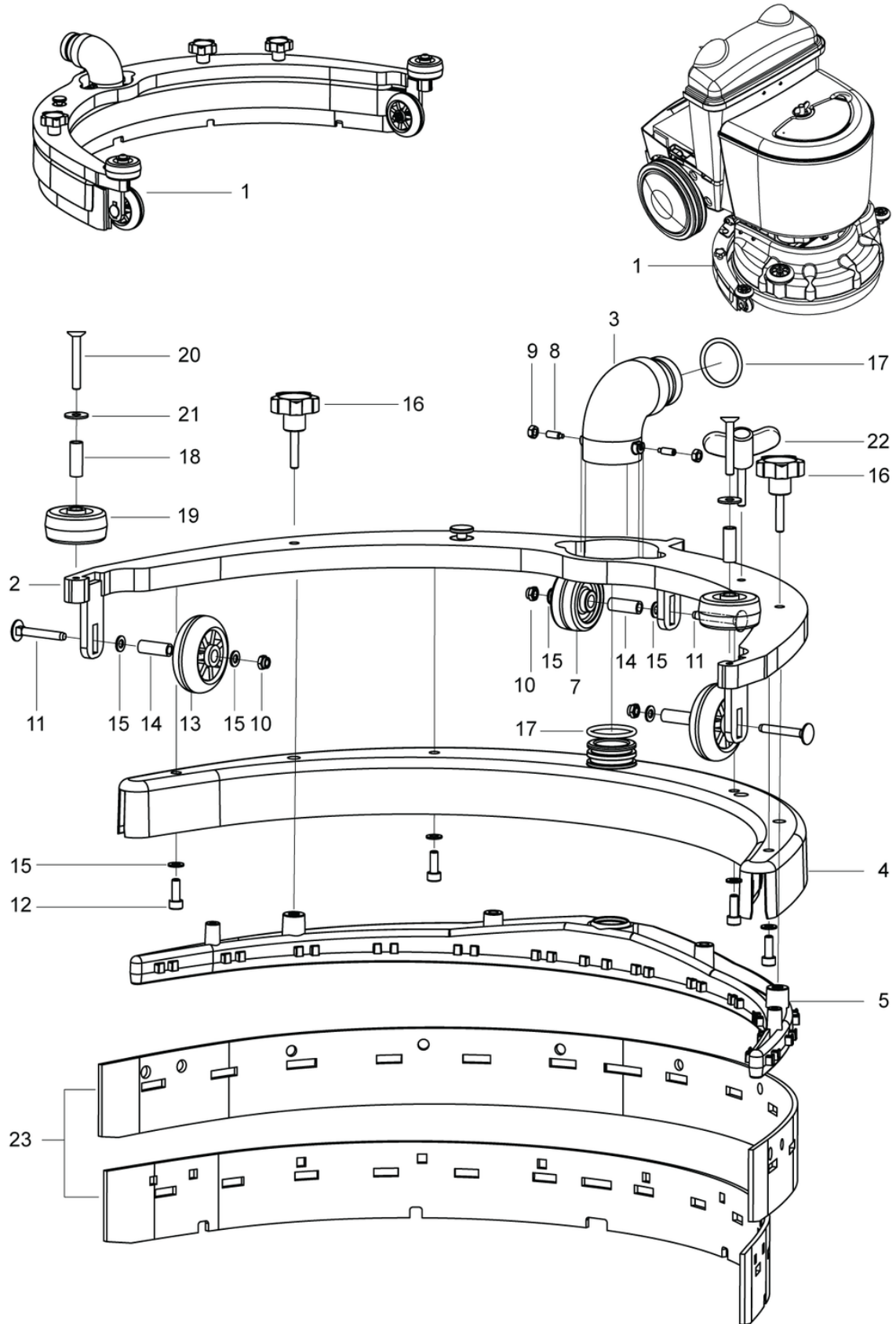
# CLEANFIX RA395 IBC VDE

## Suction nozzle, from machine no. 335972.001

PDF created on: 10.11.2023 19:29



RA 395 IBC



<b>Pos.</b>	<b>Item no.</b>	<b>Spare part</b>
1	395.350	Suction nozzle cpl.
2	395.353	Nozzle holding plate cpl.
3	433.104	Inlet side $\varnothing 32 / 26,5 \times 90^\circ$
4	395.351	Nozzle body outside
5	395.352	Nozzle body inside
7	P201	Polyurethane wheel with plain bearing $\varnothing 40$
8	P483A	Pin ISO 4028 M4 x 12 St galvanized
9	P491L	Nut DIN 934 M4 A2
10	P493G	Nut DIN 985 M5
11	P481GI	Screw DIN 603 M5 x 35
12	P488F	Screw DIN 912 M5 x 14 A2
13	565.585	Skaters roll $\varnothing 50$ edited
14	395.354	Bushing Roller $\varnothing 8 / 5.2 \times 21.5$
15	P497G	Washer DIN 125 A M5 5,3/10/1 A2
16	P253J	Star grip $\varnothing 32$ M5 x 25
17	P964C	Ring DIN 3771 26 / 2.5 NBR
18	433.110	can
19	395.140	Mini polyamide wheel $\varnothing 40\text{mm}$
20	P479Y	Screw DIN 7991 M5 x 30
21	P500G	Washer SN 213912 M5 16/5.3 Stv
22	P253R	Wing screw $\varnothing 48$ M6 x 10
23	395.080LT	Rubber blade red, standard

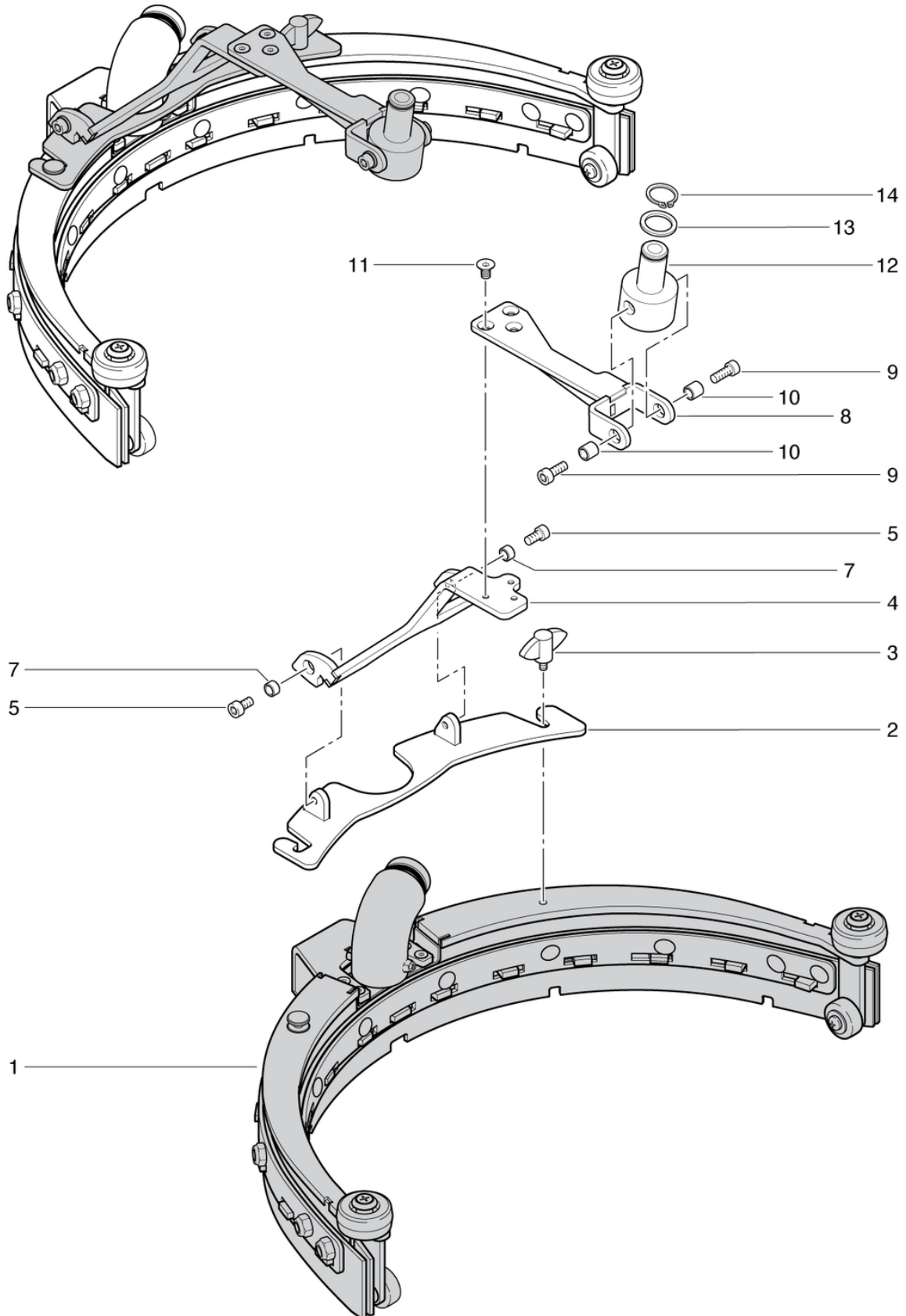
# CLEANFIX RA395 IBC VDE

## Suspension suction nozzle, to machine no. 335971.001

PDF created on: 10.11.2023 19:29



RA 395 IBC



<b>Pos.</b>	<b>Item no.</b>	<b>Spare part</b>
1	395.300	suck jet
2	395.430	Jet holder corner
3	P253R	Wing screw Ø48 M6 x 10
4	395.429	Suction nozzle holder
5	P486QA	Screw DIN 912 M6 x 14 A2
7	433.118	Bushing ø9.5 / 6.2 x 6
8	395.419	Lever
9	P486R	Screw DIN 912 M6 x 16
10	395.431	Bush ø 10 / 6.2 x 10
11	P480PB	Screw DIN 7991 M5 x 8
12	395.421	Stuck support
13	P496AF	Ring BN 739 18/24/2
14	P513EE	Ring DIN 471 18/1,25



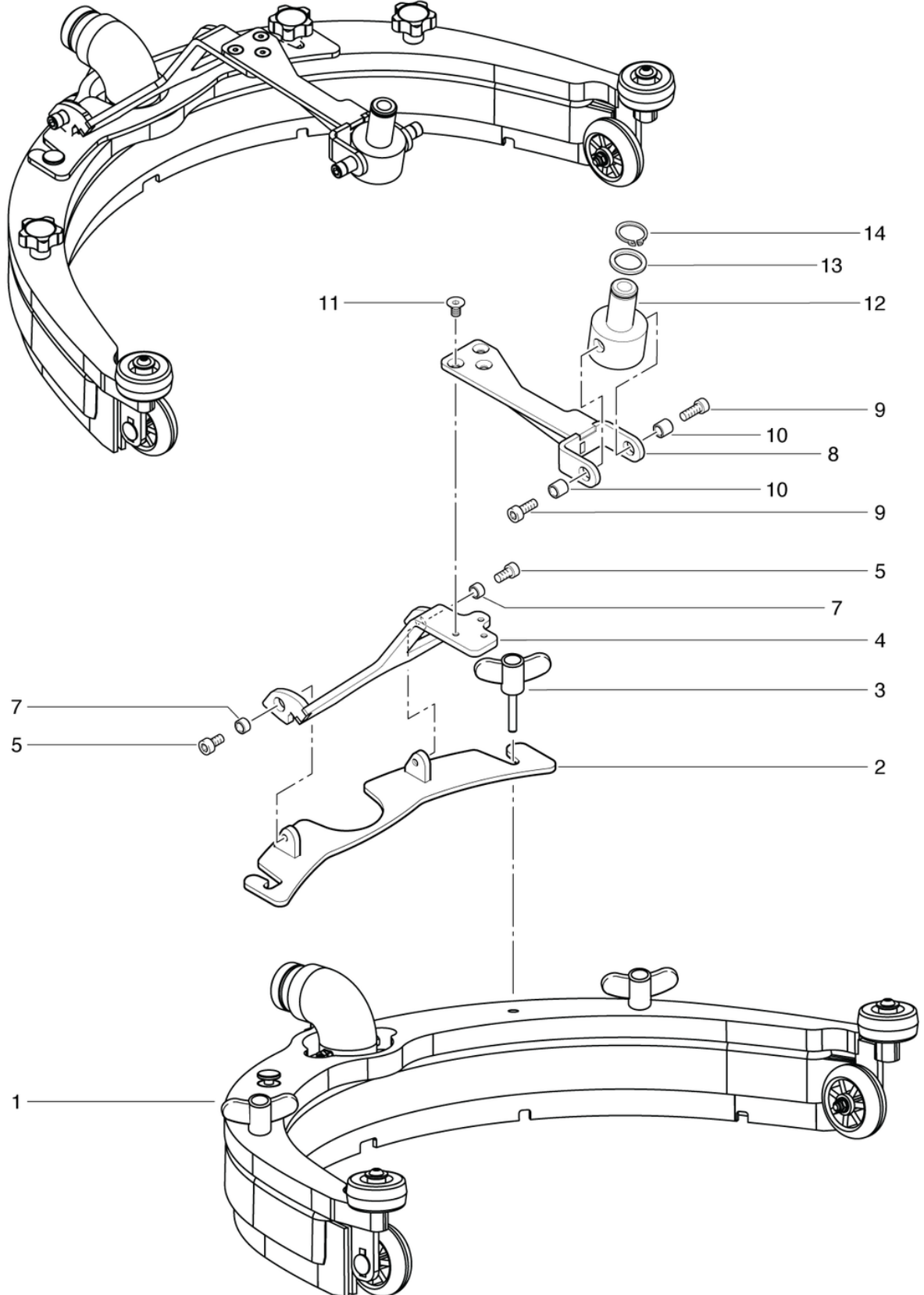
# CLEANFIX RA395 IBC VDE

## Suspension suction nozzle, from machine no. 335972.001

PDF created on: 10.11.2023 19:29



RA 395 IBC



<b>Pos.</b>	<b>Item no.</b>	<b>Spare part</b>
1	395.350	Suction nozzle cpl.
2	395.430	Jet holder corner
3	P253R	Wing screw Ø48 M6 x 10
4	395.429	Suction nozzle holder
5	P486QA	Screw DIN 912 M6 x 14 A2
7	433.118	Bushing ø9.5 / 6.2 x 6
8	395.419	Lever
9	P486R	Screw DIN 912 M6 x 16
10	395.431	Bush ø 10 / 6.2 x 10
11	P480PB	Screw DIN 7991 M5 x 8
12	395.421	Stuck support
13	P496AF	Ring BN 739 18/24/2
14	P513EE	Ring DIN 471 18/1,25

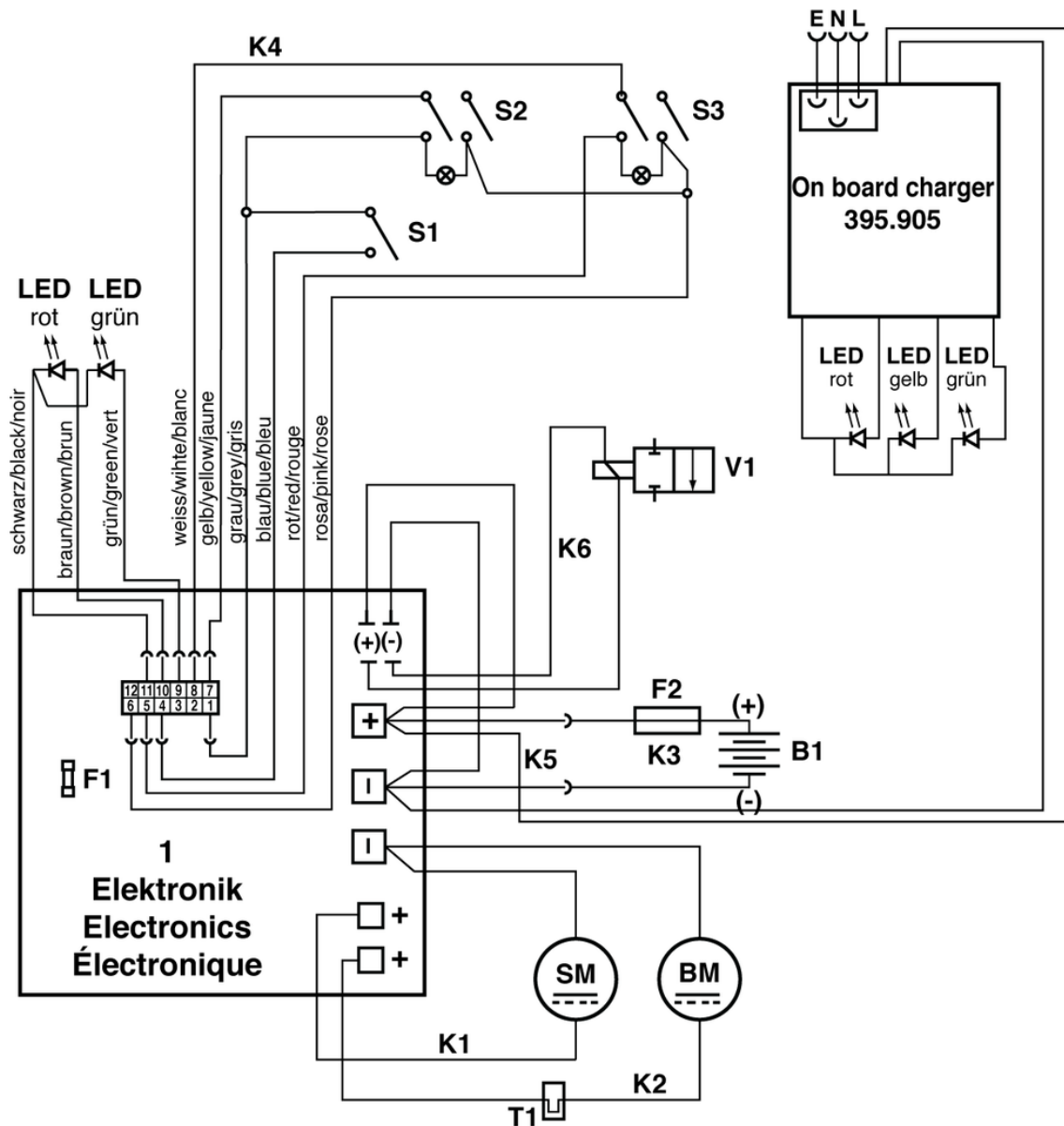
# CLEANFIX RA395 IBC VDE

## Wiring diagram

PDF created on: 10.11.2023 19:29



RA 395 IBC



- S1 Schalter Bürstmotor / Brush motor switch / Interrupteur moteur de la brosse  
 S2 Schalter Saugmotor / Suction motor switch / switch naturally aspirated  
 S3 Schalter Ventil / Valve - Switch / switch - valve  
 V1 Ventil / Valve  
 SM Saugmotor / Suction motor / Moteur d'aspiration  
 BM Bürstmotor / Brush motor / moteur de Brosses  
 F1 Sicherung T1A / Fuse T1A / Fusible T1A  
 F2 Sicherung 60A für Batterie / Fuse 60A to battery / Fusible de 60A pour la batterie  
 T1 Thermoschalter 30A / Temperature switch 30A / Interrupteur thermique 30A  
 B1 Batterie / Battery / Batterie 12V 52Ah (C5)  
 K1 Kabelbaum Saugmotor / Cable set naturally aspirated / Câble set moteur d'aspiration  
 K2 Kabelbaum Bürstmotor / Cable set brush motor / Câble set moteur de Brosses  
 K3 Batteriekabel / battery Cables / Câbles de batteries  
 K4 Kabelbaum Stossbügel / Cable set bumper bar / Câble set barre d'amortissement  
 K5 Kabelbaum Elektrobox / Cable set Electrical Box / Câble set Boîte électrique  
 K6 Kabel mit Stecker rechteckig / Cable with connector rectangular / Câble avec connecteur rectangulaire