

# CLEANFIX Power Disc LS

## Table contents

PDF created on: 10.11.2023 19:54



### PowerDisc LS

Stieloberteil  
Partie supérieure en avant  
Top part front side  
**B 5 / ST 5**

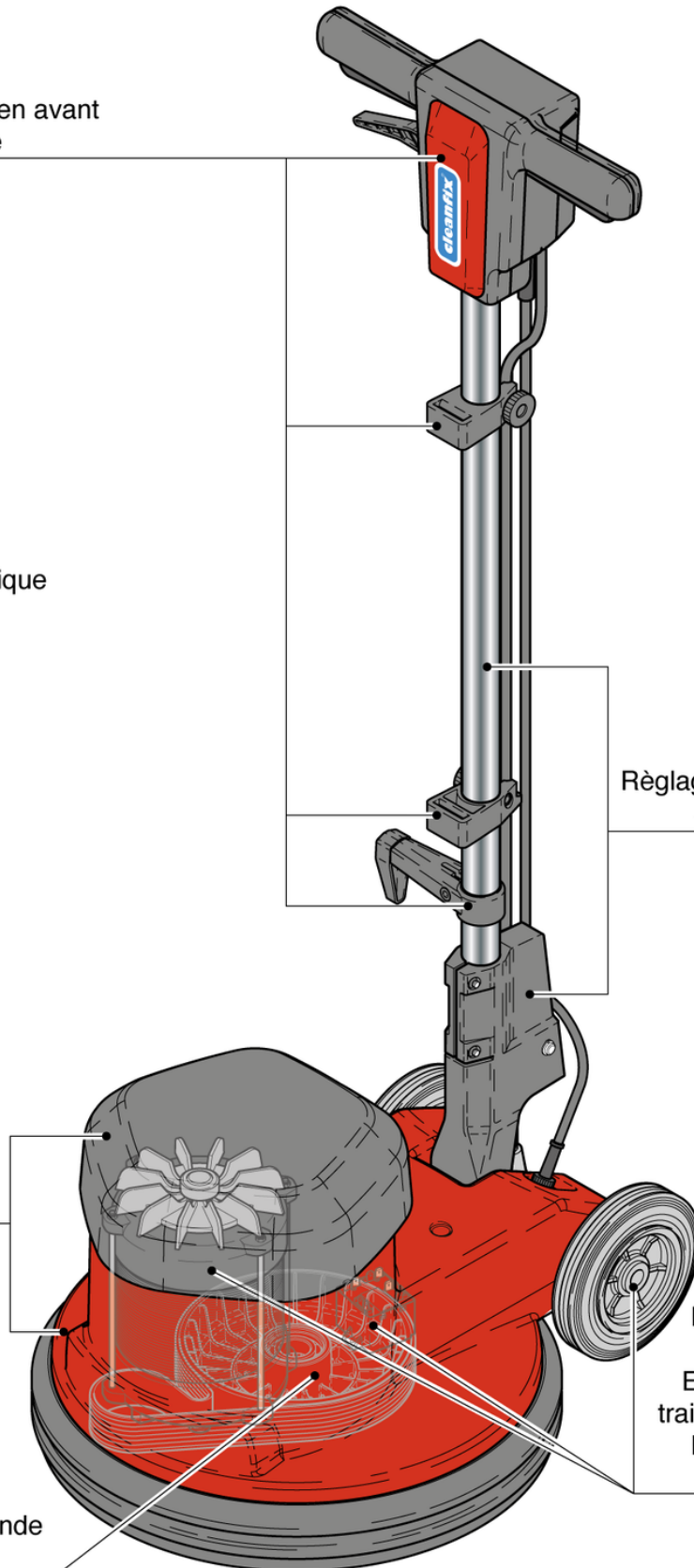
Stromlaufplan  
Diagramme électrique  
Wiring diagram  
**B 7 / ST 7**

Maschinen-  
abdeckung  
Capot moteur  
Motor Housing  
**B 1 / ST 1**

Antriebssteile  
Pieces de commande  
Driving pieces  
**B 3 / ST 3**

Stielversteller  
Règlage du manche  
Shaft adjuster  
**B 4 / ST 4**

Elektronik und  
Fahrwerk  
Electronique et  
train de transport  
Electronic and  
drive axle  
**B 2 / ST 2**



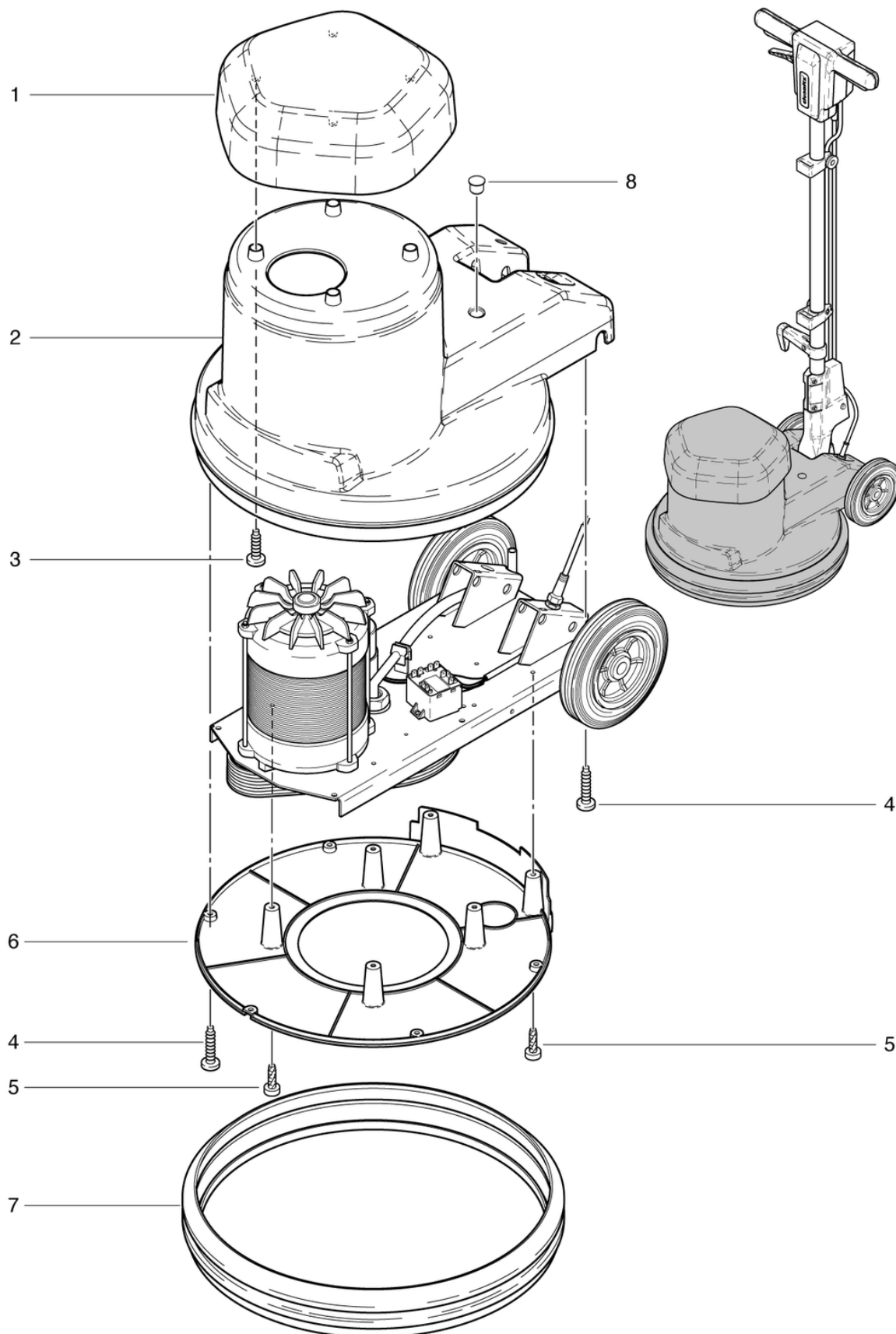
# CLEANFIX Power Disc LS

## Motor housing

PDF created on: 10.11.2023 19:54



PowerDisc LS



| <b>Pos.</b> | <b>Item no.</b> | <b>Spare part</b>        |
|-------------|-----------------|--------------------------|
| 1           | 720.067         | Cap                      |
| 2           | 720.065         | Powerdisc Housing        |
| 3           | P516H           | Screw WN 1451 K50 x 16   |
| 4           | P516Q           | Screw WN 1452 K50 x 18   |
| 5           | P483P           | Screw BN 1023 M5 x 12    |
| 6           | 720.146         | Bottom Plate             |
| 7           | 720.054         | Powerdisc Buffer Housing |
| 8           | P170F           | Stopfen                  |

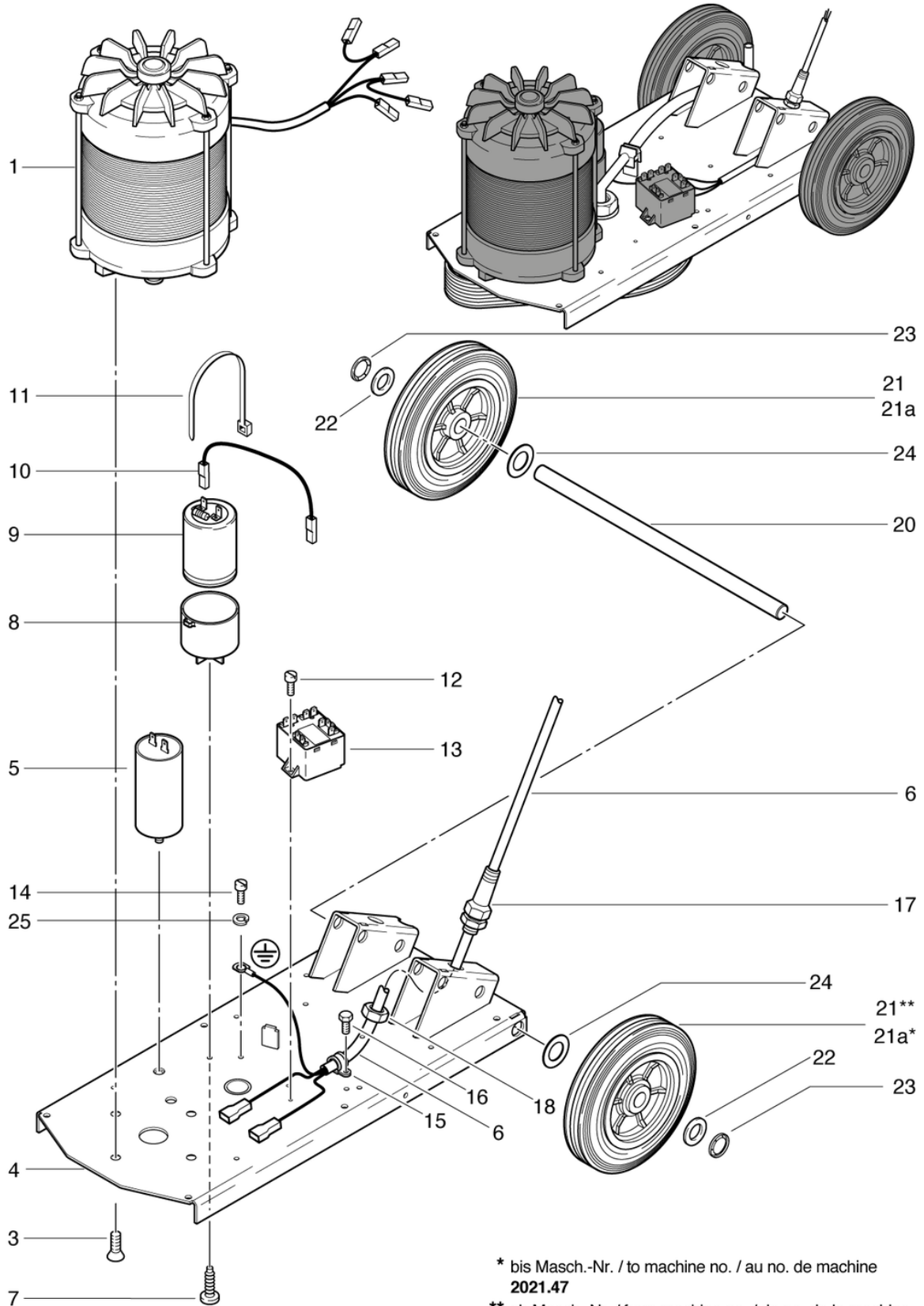
# CLEANFIX Power Disc LS

## Electronic and drive axle

PDF created on: 10.11.2023 19:54



### PowerDisc LS



\* bis Masch.-Nr. / to machine no. / au no. de machine  
**2021.47**

\*\* ab Masch.-Nr. / from machine no. / de no. de la machine  
**2021.48**

| <b>Pos.</b> | <b>Item no.</b> | <b>Spare part</b>   |
|-------------|-----------------|---|
| 1           | 726.121         | Electric motor 230V / 50Hz 1000W                          |
| 3           | P480Q           | Screw DIN 7991 M8 x 16 A2                                 |
| 4           | 726.101         | Chassis   |
| 5           | 720.122A        | Capacitor 25uf  |
| 6           | 720.312         | Motor wiring harness 3 x 1,5mm <sup>2</sup> , incl. clamp |
| 7           | P516G           | Screw WN 1451 K40 x 16                                    |
| 8           | 741.316         | Capacitor Holder  |
| 9           | 742.328         | Capacitor 125 uF, 320 V                                   |
| 10          | 742.331         | Wiring black  |
| 11          | P424A           | Cable ties natural 3.7 x 368mm                            |
| 12          | P481Q           | Screw BN 1023 M4 x 8                                      |
| 13          | P350            | Motor start relay   |
| 14          | P515TA          | Screw DIN 7500 M4 x 6                                     |
| 15          | P281            | Fixing clamp PVC CV-7                                     |
| 16          | P483P           | Screw BN 1023 M5 x 12                                     |
| 17          | P279K           | Cable gland PG9 with kink protection spiral               |
| 18          | P279H           | Lock nut PG9 brass nickel-plated                          |
| 20          | 720.040         | Wheel axle dm 320 mm                                      |
| 21a         | 741.072A        | Wheel ø160 x 40mm rework                                  |
| 21          | 741.072         | Wheel ø160 x 40mm   |
| 22          | P510            | Shim DIN 988 16/28/0,5                                    |
| 23          | P500H           | Feather ring M8   |
| 24          | P510F           | Shim DIN 125 A M16 17/30/3 PA6.6                          |
| 25          | P498A           | Ring DIN 127 B M4 4,1/7,6/0,9 CuSn                        |

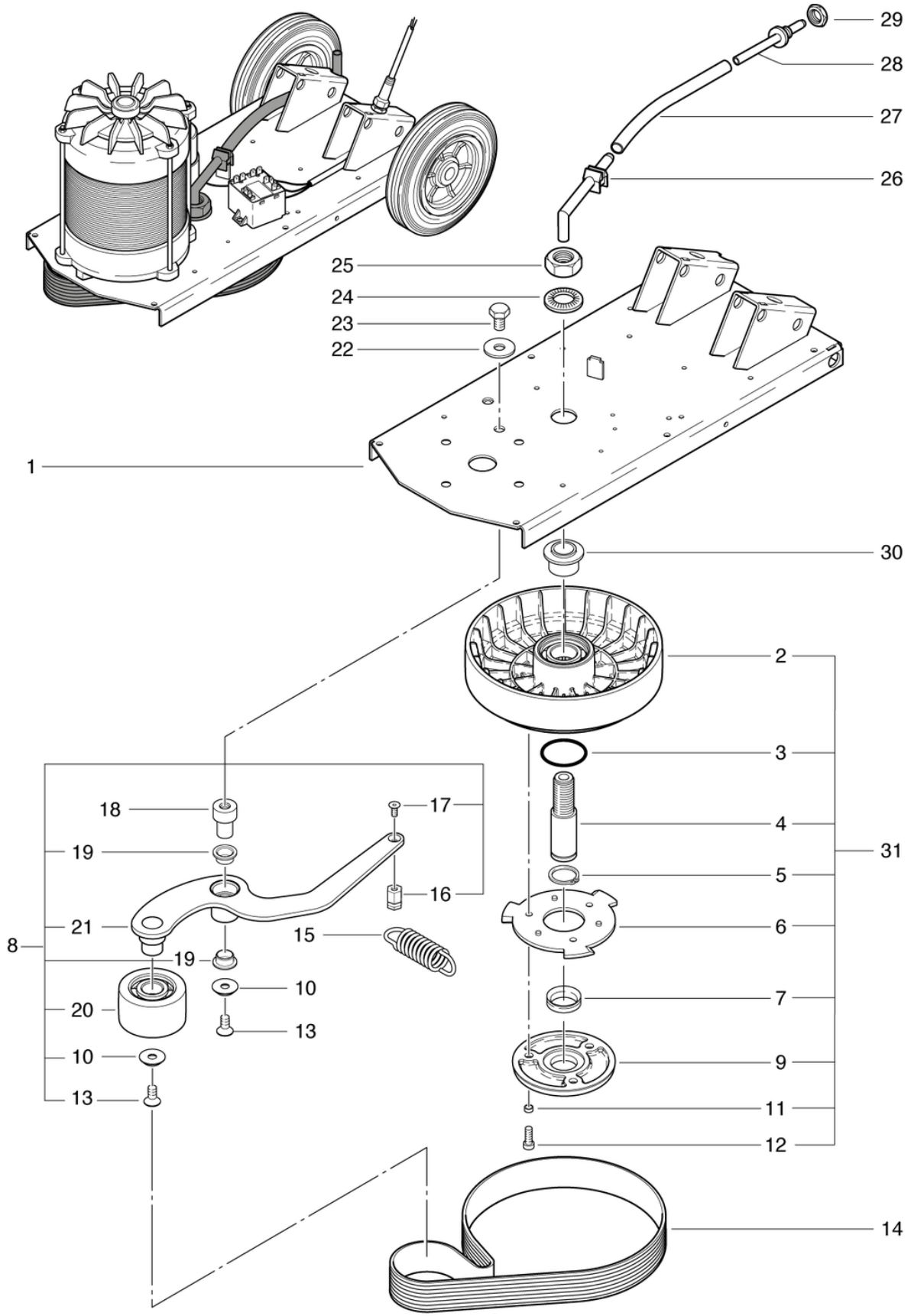
# CLEANFIX Power Disc LS

## Driving pieces

PDF created on: 10.11.2023 19:54



### PowerDisc LS



| <b>Pos.</b> | <b>Item no.</b> | <b>Spare part</b>                     |
|-------------|-----------------|---------------------------------------|
| 1           | 726.101         | Chassis                               |
| 2           | 726.130         | Belt pulley CL                        |
| 3           | P964A           | Ring DIN 3771 55,25/2,62 EPDM         |
| 4           | 742.125         | Main Axle                             |
| 5           | P513D           | Ring DIN 471 25/1,2                   |
| 6           | 742.141         | Pad Hub                               |
| 7           | P344            | Shaft sealing ring 25x40x3 EPDM/V2A   |
| 8           | 726.300         | Belt tension pulley cpl.              |
| 9           | 742.128         | Brush Support                         |
| 10          | P500T           | Shim SN 213912 M8 25/4,8 A2           |
| 11          | 742.129         | Distance ring $\varnothing$ 8 / 6 x 4 |
| 12          | P487S           | Screw DIN 912 M6 x 20 A2              |
| 13          | P480Q           | Screw DIN 7991 M8 x 16 A2             |
| 14          | 6390520         | Poly-V-belt 15-PJ-864mm Lw            |
| 15          | P511F           | Tension spring Z-177LX- 3.6 / 25/38,7 |
| 16          | 726.303         | holder                                |
| 17          | P487U           | Screw DIN 7991 M6 x 12                |
| 18          | 726.102         | Tensioner                             |
| 19          | P316X           | Plain bearing PBG 151709F             |
| 20          | 726.301         | Pulley                                |
| 21          | 726.302         | Tension Pulley                        |
| 22          | P496S           | Washer DIN 9021 M10 10,5/30/2,5 A2    |
| 23          | P472W           | Screw DIN 933 M10 x 16 A2             |
| 24          | P498Q           | Shim NFE 25511 M20 20,5/40/4,9        |
| 25          | P492R           | Nut DIN 934 M20 x 1.5 A2              |
| 26          | 741.064         | Lye pipe MD anthracite gray           |
| 27          | 720.123         | Hose                                  |
| 28          | 720.062         | Connection pipe compl.                |
| 29          | 6650461         | Hex nut M 12x0.75                     |
| 30          | 726.103         | Bushing $\varnothing$ 40 / 20 x 23.5  |
| 31          | 726.126         | Belt Wheel Pre Mounts                 |

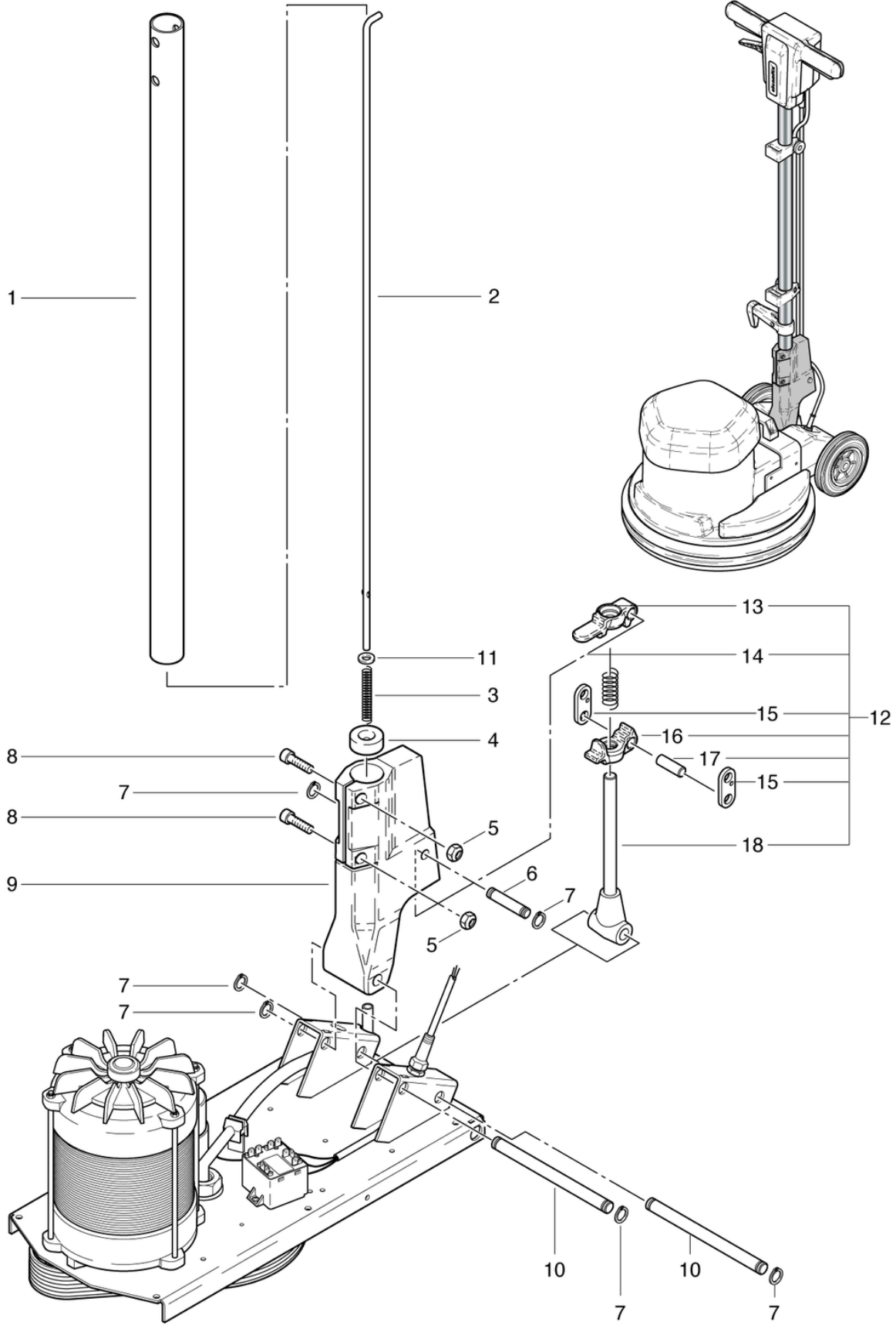
# CLEANFIX Power Disc LS

## Shaft adjuster

PDF created on: 10.11.2023 19:54



### PowerDisc LS





| <b>Pos.</b> | <b>Item no.</b> | <b>Spare part</b>                |
|-------------|-----------------|----------------------------------|
| 1           | 742.410L        | Shaft Tube                       |
| 2           | 742.212L        | Drawbar L = 863mm                |
| 3           | 634711031       | Compression spring 1 / 6.2 / 55  |
| 4           | 623711022       | Guide Sleeve                     |
| 5           | P493K           | Nut DIN 985 M6                   |
| 6           | 672711018       | Axle                             |
| 7           | P499Q           | Shim DIN 6799 8/16,3/1           |
| 8           | P486T           | Screw DIN 912 M6 x 25            |
| 9           | 720.260         | shaft adjustmenet lever          |
| 10          | 720.129         | Rotary axis ø12 x 118            |
| 11          | P496K           | Shim DIN 125 A M6 6,4/12/1,6     |
| 12          | 2711133         | Handle adjuster cpl.             |
| 13          | 3711236         | Adjustment piece long            |
| 14          | 634711020       | Compression spring 2 / 12,2 / 37 |
| 15          | 4711014         | Holder                           |
| 16          | 3711237         | Adjustment piece short           |
| 17          | 672711019       | Axle                             |
| 18          | 741.270         | Adjusting rod 177mm cpl.         |

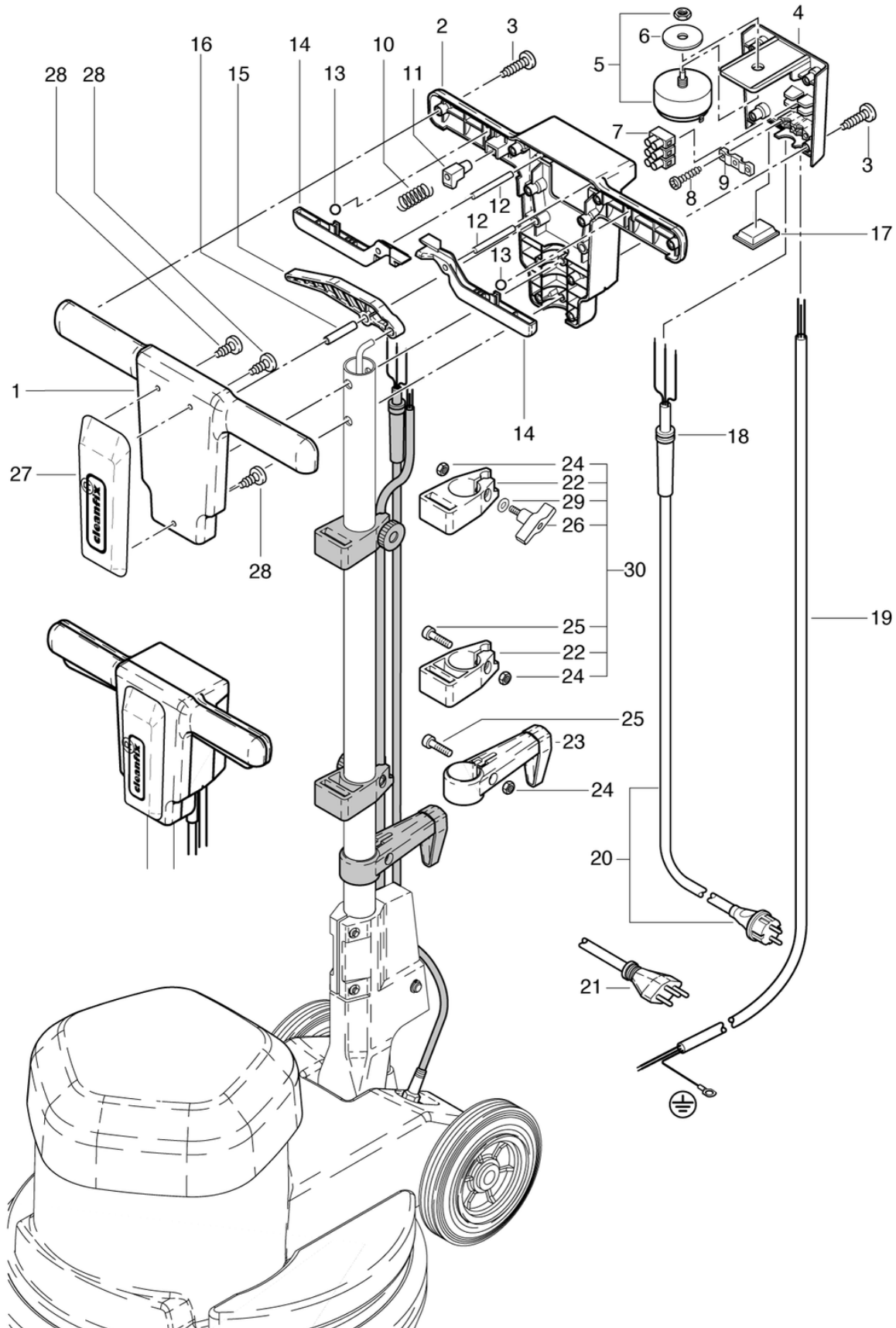
# CLEANFIX Power Disc LS

## Top part front side

PDF created on: 10.11.2023 19:54



### PowerDisc LS



| <b>Pos.</b> | <b>Item no.</b> | <b>Spare part</b>   |
|-------------|-----------------|---|
| 1           | 741.201         | Front Cover Handle  |
| 2           | 741.202         | Upper part of handle at the back anthracite gray          |
| 3           | P515L           | Screw WN 1452 K50 x 25 A2                                 |
| 4           | 741.310         | Rear Handle Cover   |
| 5           | 6650454         | Switch  |
| 6           | P496            | Shim DIN 9021 M12 13/37/3                                 |
| 7           | P383N           | Terminal block with DS, 3-pole, 6mm <sup>2</sup>          |
| 8           | P516Q           | Screw WN 1452 K50 x 18                                    |
| 9           | 742.321         | Cable clamp   |
| 10          | 742.209         | Compression spring VD-090L 0.55 / 6 / 29.2                |
| 11          | 742.208         | Button grey anthrazite                                    |
| 12          | P512M           | Pin ISO 2338 6 x 50 pc vz                                 |
| 13          | 6440641         | Ball DIN 5401 8   |
| 14          | 741.204         | Switch  |
| 15          | 741.207         | Shaft Adj Lever   |
| 16          | P512P           | Pin ISO 2338 8 x 40 pc vz                                 |
| 17          | 741.216         | Switch Handle   |
| 18          | 660011014       | R53-1100 Cable Sleeve                                     |
| 19          | 720.312         | Motor wiring harness 3 x 1,5mm <sup>2</sup> , incl. clamp |
| 20          | 656711039       | Mains cable VDE 3 x 1.5mm <sup>2</sup> , 12.5m gray       |
| 21          | 65671103901     | Mains cable SEV 3 x 1.5mm <sup>2</sup> , 12.5m            |
| 22          | 4711231         | Solution Tank Holder                                      |
| 23          | 3711029         | Cable holder CL cpl.                                      |
| 24          | P490D           | Nut DIN 934 M6  |
| 25          | P486T           | Screw DIN 912 M6 x 25                                     |
| 26          | P253X           | Wing nut Ø48 M6x25  |
| 27          | 741.208         | Screen, red   |
| 28          | P516V           | Screw WN 1452 KA25 x 10                                   |
| 29          | P496K           | Shim DIN 125 A M6 6,4/12/1,6                              |
| 30          | 4711232         | Solution tank holder set                                  |

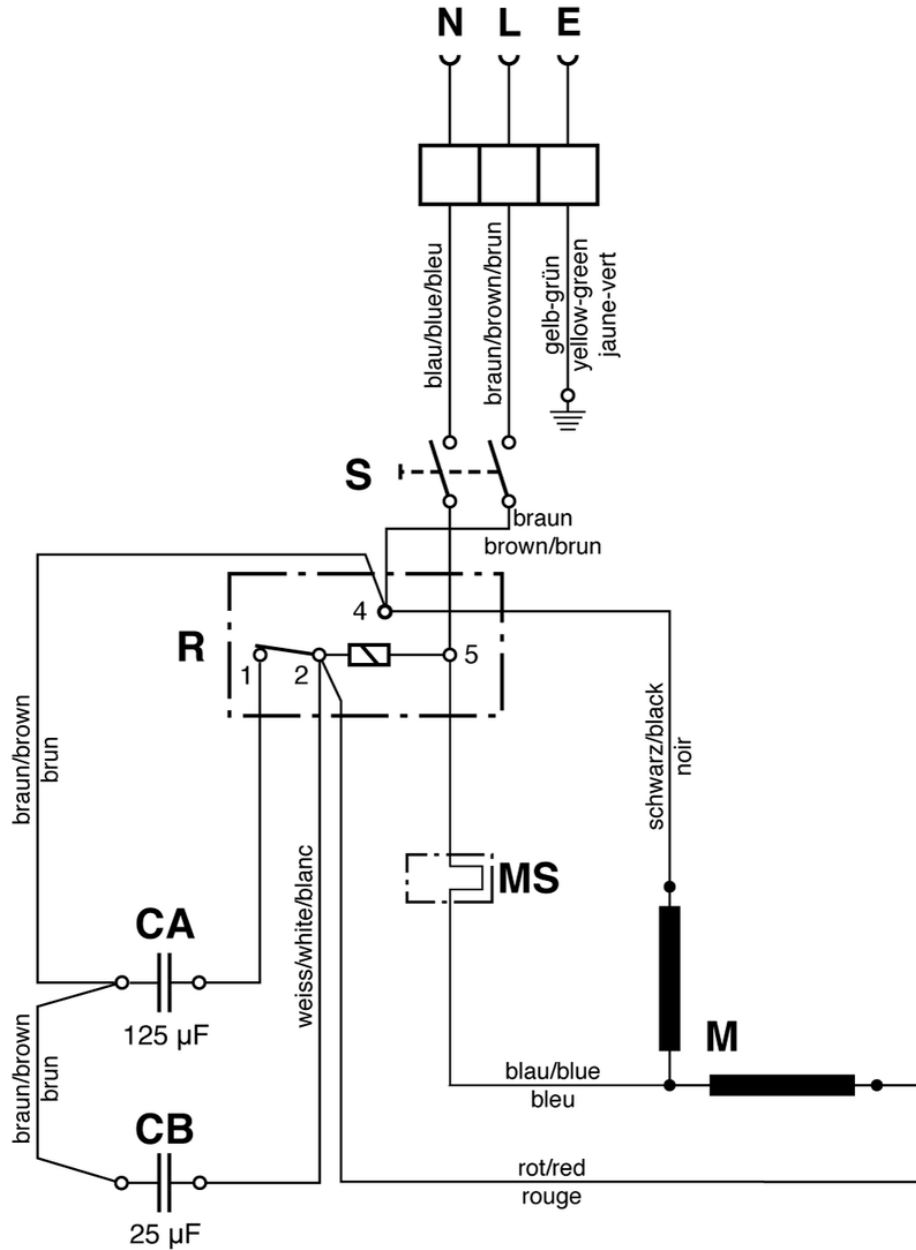
# CLEANFIX Power Disc LS

## Wiring diagram

PDF created on: 10.11.2023 19:54



### PowerDisc LS



- S = Schalter Buerstmotor / Tumbler switch for motor / Interrupteur pour moteur
- R = Startrelais / Relais / Relais de démarrage
- CA = Anlaufkondensator 125 µF / Capacitor 125 µF / Capaciteur 125 µF
- CB = Betriebskondensator 25 µF / Capacitor 25 µF / Capaciteur 25 µF
- M = Motor / Motor / Moteur
- MS = Motorschutzschalter