

MAC INTERNATIONAL
SPARE PARTS LIST

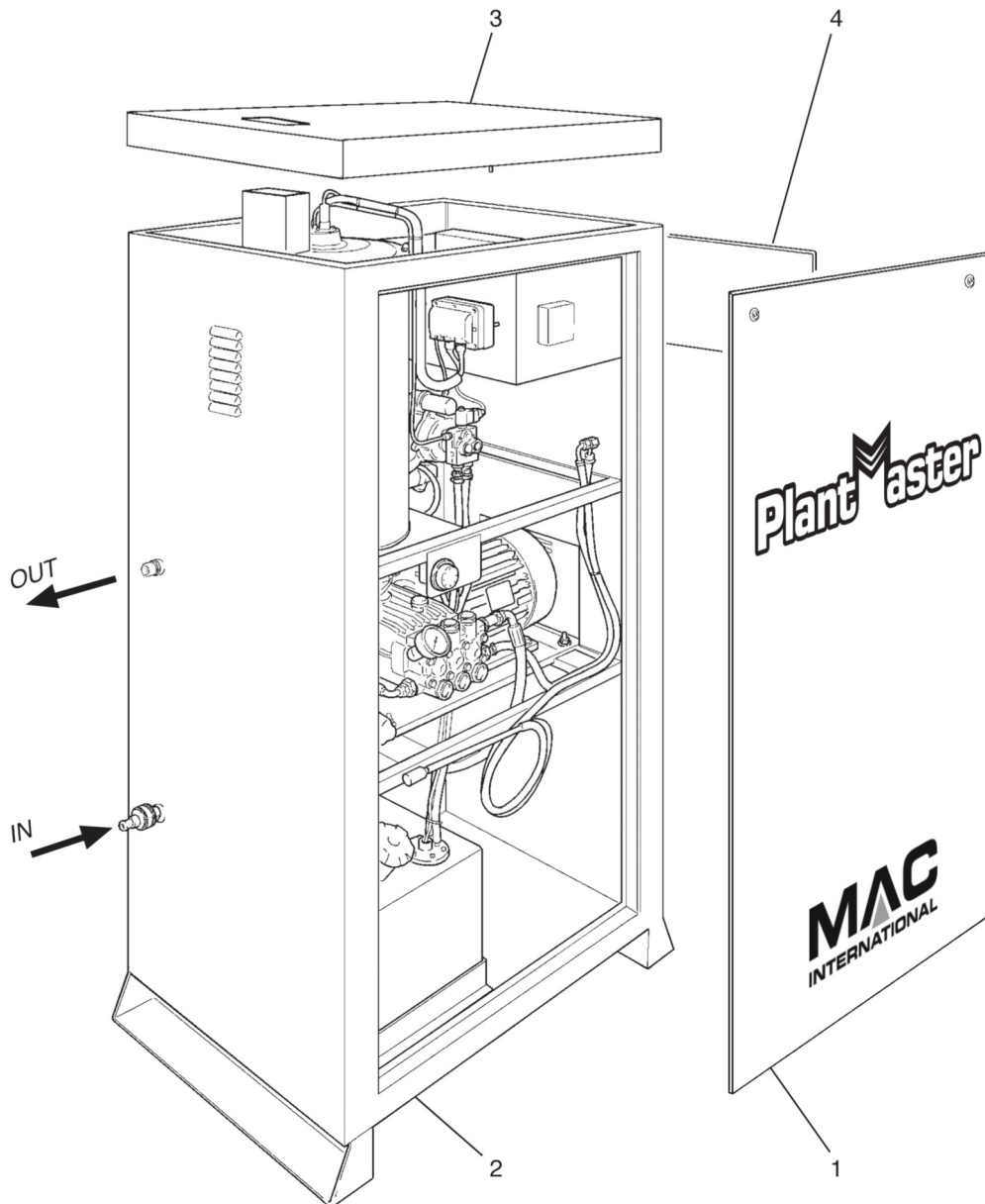
MAC **PLANTMASTER**



MAC PLANTMASTER

TAB 1

Position	Code	Qty	Description
1	-	1	Stainless Steel Door
2	10.000.128	1	Painted Cabinet
3	-	1	Roof Cover
4	-	1	Electric Panel



MAC PLANTMASTER

TAB 2

Position	Code	Qty	Description
5	20.000.356	1	Quick Coupling (Part B)
6	20.000.357	1	Quick Coupling (Part A)
7	20.000.004	1	Nipple ½
8	90.000.134	1	Water Tank Inlet Hose
9	10.000.043	1	Plastic Water Tank
10	40.000.001	1	Water Float Level
11	20.000.022	1	Nut
12	20.000.029	1	Nipple ½ - ¼
13	90.000.035	1	Water Suction Pipe
14	20.000.064	1	Eye ½
15	20.001.006	2	Washer
16	20.000.052	1	Bolt With Hole
17	20.000.014	1	Nipple ¼
18	90.000.014	1	Chemical Suction Hose – Inside
19	40.000.007	1	Chemical Valve
20/21/22	90.000.039	1	Complete Chemical Suction Pipe with Filter
23	20.000.139	1	Brass Elbow Coupling
24	40.000.009	1	Pressure Gauge (50mm Diameter)
25	W140M	1	Pump – W140 (12/100)
25	WS201	1	Pump – WS201 (15/200)
25	WS151	1	Pump – WS151 (15/150)
26	MOTOR1	1	Motor – 3hp, 2.2kw (12/100)
26	MOTOR3	1	Motor – 7.5hp, 5.5kw (15/200)
26	MOTOR2	1	Motor – 5.5hp, 4kw (15/150)
27	20.000.350	1	Nipple
28	90.000.132	1	Water Inlet Hose
29	20.000.026	1	Screw
30	20.000.027	1	Washer
31	20.000.028	1	Nut
32	10.000.146	4	Anti-Vibrant
33	20.000.027	1	Washer
34	20.000.028	1	Nut
35	20.000.029	1	Nipple ½ - 3/8
36	90.000.130	1	By Pass Hose
37	20.000.033	1	Nipple 3/8 – ¼
38	40.000.003	1	VB9 By Pass Valve (Unloader Valve)
39	20.000.350	1	Nipple 3/8
40	20.000.012	1	Swing Nipple 3/8
41	40.000.005	1	VS220 Safety Valve

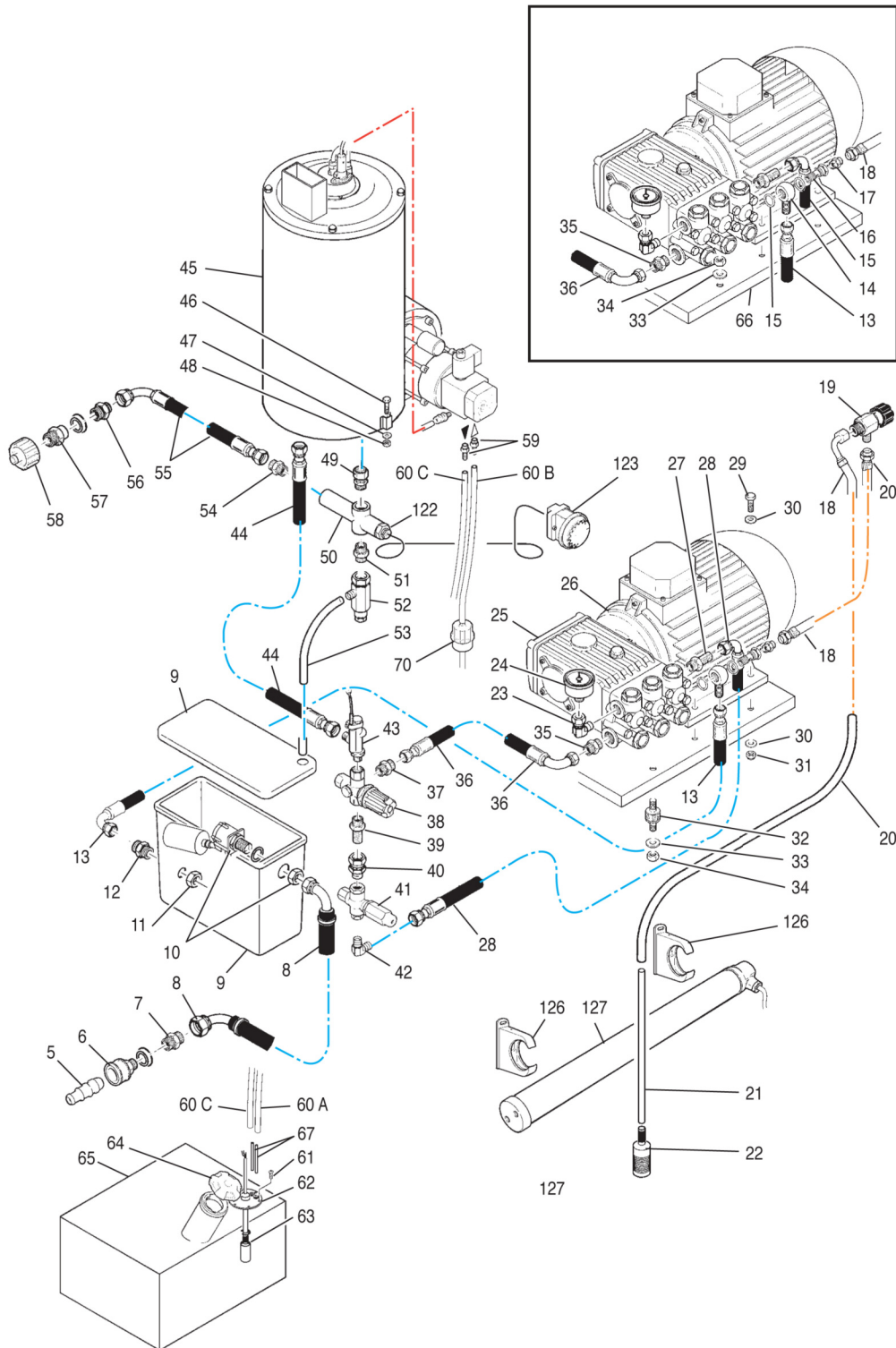
MAC PLANTMASTER

TAB 2

Position	Code	Qty	Description
42	20.000.011	1	Brass Elbow Coupling
43	40.000.006	1	Flow Switch
44	90.000.133	1	Water Inlet Hose
45	50.000.302	1	Complete M2 Heavy Duty Boiler
46	20.000.099	1	Screw
47	20.000.044	1	Washer
48	20.000.097	1	Nut
49	20.000.012	1	Swing Nipple
50	40.000.011	1	Thermostat Holder
51	20.000.058	1	Reduction Coupling
52	40.000.032	1	Safety Valve
53	-	1	Drain Hose
54	20.000.010	1	Nipple 3/8
55	90.000.131	1	Outlet Hose
56	20.000.010	1	Nipple 3/8
57	90.263.031	1	Quick Coupling
58	90.262.550	1	Quick Coupling
60A/B	90.000.138	1	Fuel Suction Hose
60C	90.000.139	1	Fuel Return Hose
61	20.000.605	1	Screw
62/63	70.000.332	1	Low Level Fuel Sensor (For New Fuel Tank)
64	10.000.471	1	Fuel Tank Cap (For New Fuel Tank)
65	10.000.473	1	New Style Fuel Tank
66	-	1	Motor Support
67	-	1	Copper Fuel Pipe
70	50.000.019	1	Fuel Filter
122	20.000.017	1	Coupling
123	70.000.014	1	Thermostat Without Switch
126	-	1	Heater Support
127	HEATERTUBE1	1	Heater Tube

MAC PLANTMASTER

TAB 2



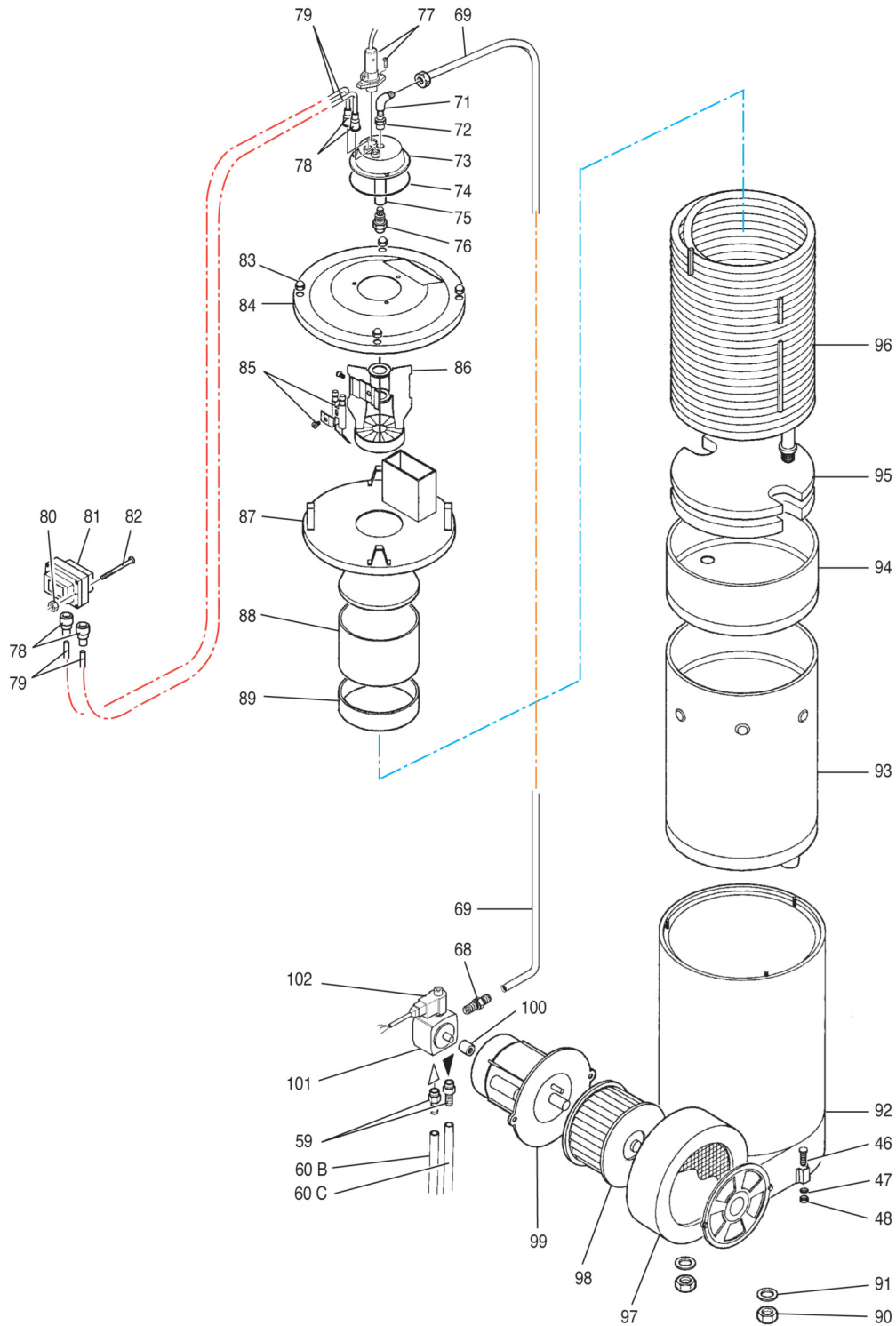
MAC PLANTMASTER

TAB 3

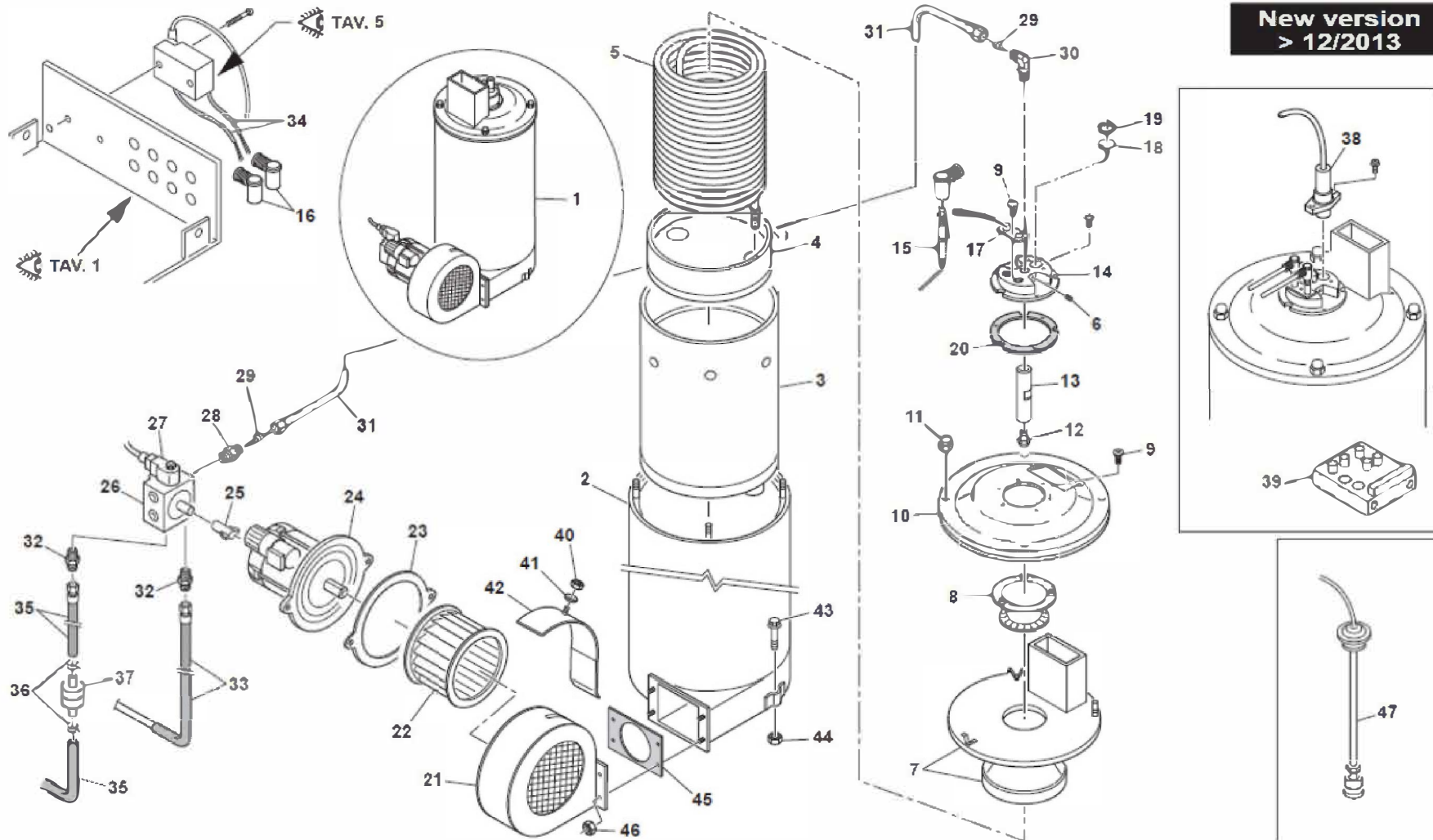
Position	Code	Qty	Decription
46	20.000.099	1	Screw
47	20.000.044	1	Washer
48	20.000.097	1	Nut
59	20.000.014	2	Nipple ¼
60B	90.000.138	1	Fuel Suction Hose
60C	90.000.139	1	Fuel Return Hose
68	20.000.020	1	Coupling
69	-	1	Boiler Fuel Inlet Hose
71	20.000.020	1	Coupling
72	20.000.024	1	Connection
73	50.000.016	1	Aluminium Cover
74	50.000.015	1	Gasket
75	50.000.014	1	Fuel Nozzle Holder
76	50.000.013	1	Fuel Nozzle
77	70.000.115	1	Photocell
78	50.000.025	2	H.T Caps
79	70.000.018	2	H.T Leads
80	20.000.353	2	Nut
81	70.000.019	1	H.T Transformer (Ignition)
82	20.000.355	1	Screw
83	20.000.025	4	Nut
84	50.000.012	1	Stainless Steel Cover
85	50.000.011	1	Electrodes
86	50.000.010	1	Deflector
87	50.000.032	1	Lower Head
88	50.000.008	1	Band
89	50.000.007	1	Ring
90	-	3	Nut
91	20.000.021	3	Washer
92-97	50.000.033	1	Boiler Body
93	50.000.003	1	Boiler Liner
94-95	50.000.085	1	Cement Refractory
96	50.000.006	1	Coil (Standard M2)
96	50.000.043	1	Coil (Heavy Duty M2)
98	50.000.035	1	Fan
99	50.000.221	1	Burner Motor
100	50.000.022	1	Motor-Pump Coupling
101	50.000.029	1	Fuel Pump
102	50.000.024	1	Solenoid Valve

MAC PLANTMASTER

TAB 3



SPARE PARTS LIST
TAB 6B



TAV POS.	PART NUMBER	QTY	DESCRIPTION	NOTES
1	50.001.002	1	Complete boiler	
2	50.000.002	1	Boiler body c/w S.S fan housing	
3	50.000.003	1	Boiler liner	
4	50.000.118	1	Cement refractory	
5	50.000.006.1	1	Heavy duty coil	
6		1	Dowel	
7	50.000.032.1	1	Complete head c/w chimney	
8	50.000.069.1	1	Deflector	
9		6	Screw	
10	50.000.012.1	1	S.S cover	
11	20.000.025	4	Nut	
12	50.000.013	1	Fuel nozzle	
13	50.000.115	1	Fuel nozzle holder	
14	50.000.016.1	1	Aluminium burner cover	
15	50.000.211	2	Electrodes	
16	50.000.116	2	Connector	
17	10.001.007	1	Electrode fixing plate	
18	50.000.017	1	Sight glass	
19	50.000.018	1	Seeger	
20	50.000.015	1	Gasket	
21	50.000.251	1	S.S ventilation	
22	50.000.109	1	Burner motor fan	

SPARE PARTS LIST

TAV. 6B – BOILER ASSEMBLY NEW VERSION



TAV POS.	PART NUMBER	QTY	DESCRIPTION	NOTES
23	50.000.172	1	Gasket	
24	50.000.021	1	Burner motor	
25	50.000.022	1	Fuel pump drive peg	
26	50.000.029	1	Fuel pump	
27	50.000.024	1	24V fuel solenoid valve	
28		1	1/8 Coupling	
29		1	Olive	
30	20.000.019	1	90° fitting	
31		1	Inlet fuel pipe	
32	20.000.014	2	Nipple	
33	90.000.047	1	Outlet fuel pipe	
34	70.000.018.1	2	HT leads	For Brahma ignition transformer - 70.000.263 only
35	90.000.046	1	Fuel suction pipe	
36	90.000.011	2	Clamp	
37	50.000.019	1	Fuel filter	
38	70.000.015	1	Photocell for flame failure	ACCESSORY NUMBER: AVANT/ACC003
39	70.000.114	1	PCB for flame failure & leak detection	ACCESSORY NUMBER: AVANT/ACC003
40		1	Nut	
41		1	Washer	
42		1	-	
43		3	Screw	
44		3	Nut	

TAV. 6B – BOILER ASSEMBLY NEW VERSION

TAV POS.	PART NUMBER	QTY	DESCRIPTION	NOTES
45	50.000.072	1	Gasket	
46		4	Nut	
47	70.000.322	1	Fuel tank sensor	

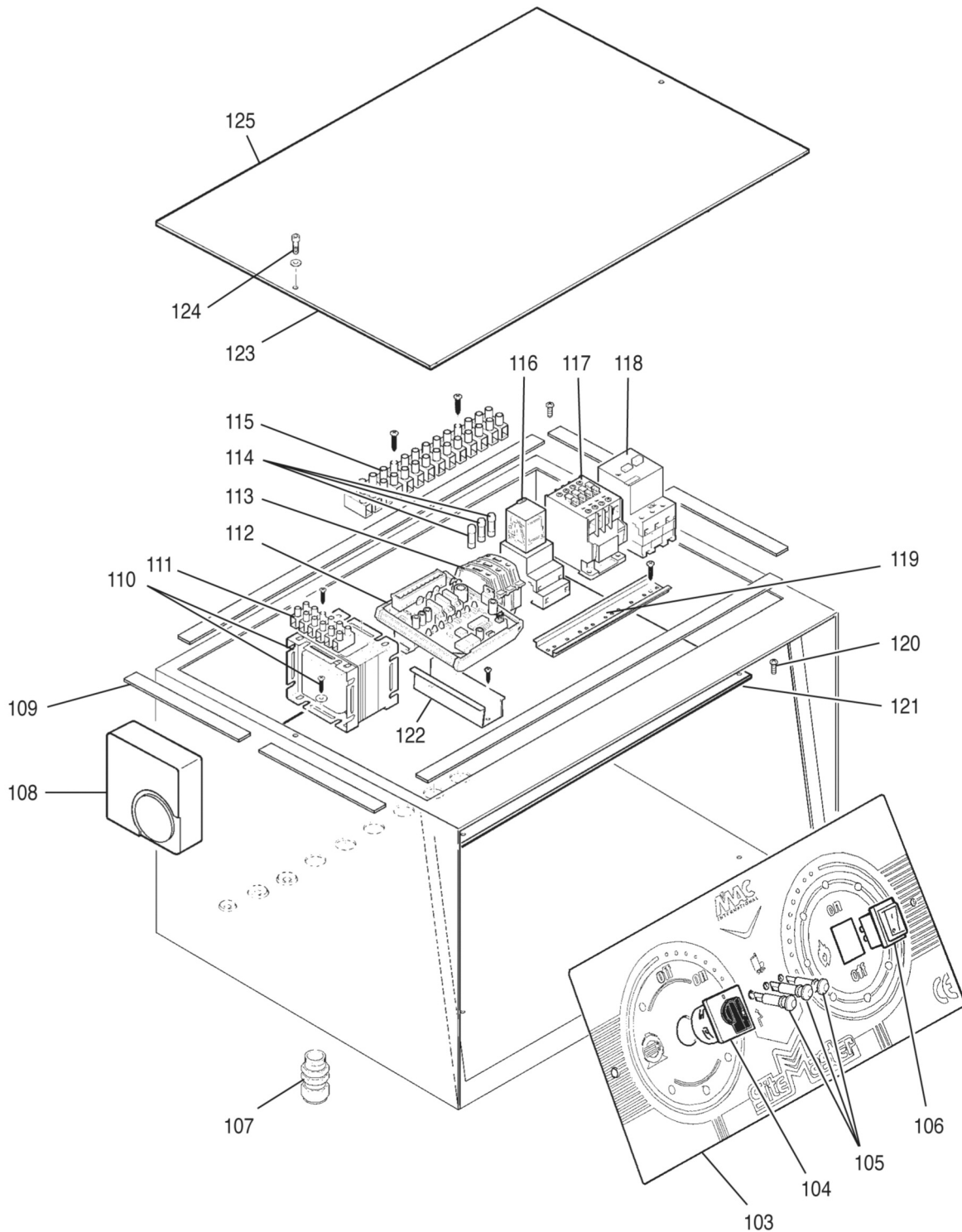
MAC PLANTMASTER

TAB 4

Position	Code	Qty	Description
103	120.000.056	1	Electric Panel Adhesive
104	70.000.045	1	On/Off Switch
105	70.000.016	1	Green Warning Light (Power On)
105	70.000.116	1	Orange Warning Light (Low Fuel)
105	70.000.216	1	Red Warning Light (Leak Detection or Flame Failure)
106	70.000.015	1	Burner Switch
107	70.000.015	8	Cable Gland
108	70.000.004	1	Frost Thermostat
109	-	1	Insulating Joint
110-111	70.000.010	1	24v Step Down Transformer
112	70.000.114	1	Electronic Card
113	70.000.058	1	Fuse Holder
114	70.000.060	1	Fuse
115	-	1	Thermal Box Complete
116	70.000.054	1	Relay
117	70.000.209	1	Contractor (KNL 16-10 24v)
118	70.000.008	1	Overload Switch (10-16amp)Screw
119	-	1	Bar
120	-	4	Screw
121	-	1	Support
123	-	1	Bar
124	-	2	Screw
125	-	1	Electric Box Cover

MAC PLANTMASTER

TAB 4



MAC PLANTMASTER

TAB 5

Position	Code	Qty	Description
66	80.000.001	1	Gun
67	80.000.002	1	1200mm Lance
68	80.000.003	1	Nozzle Protection
69	80.000.000	1	High Pressure Jet

