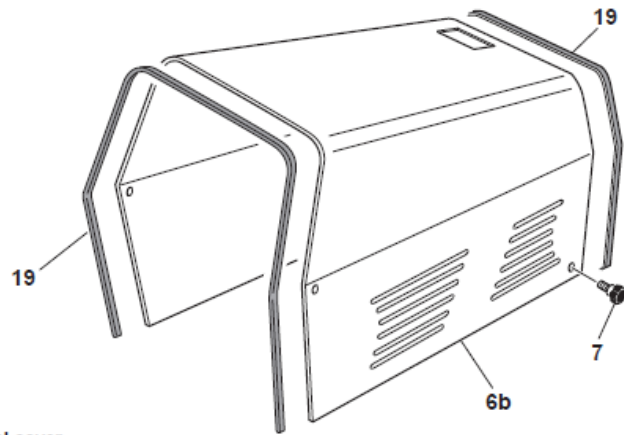




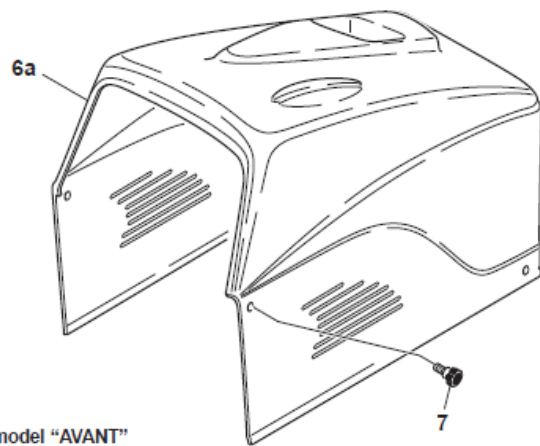
WASHMASTER RANGE
MAC AVANT
SPARE PARTS LIST

SPARE PARTS LIST
MAC AVANT

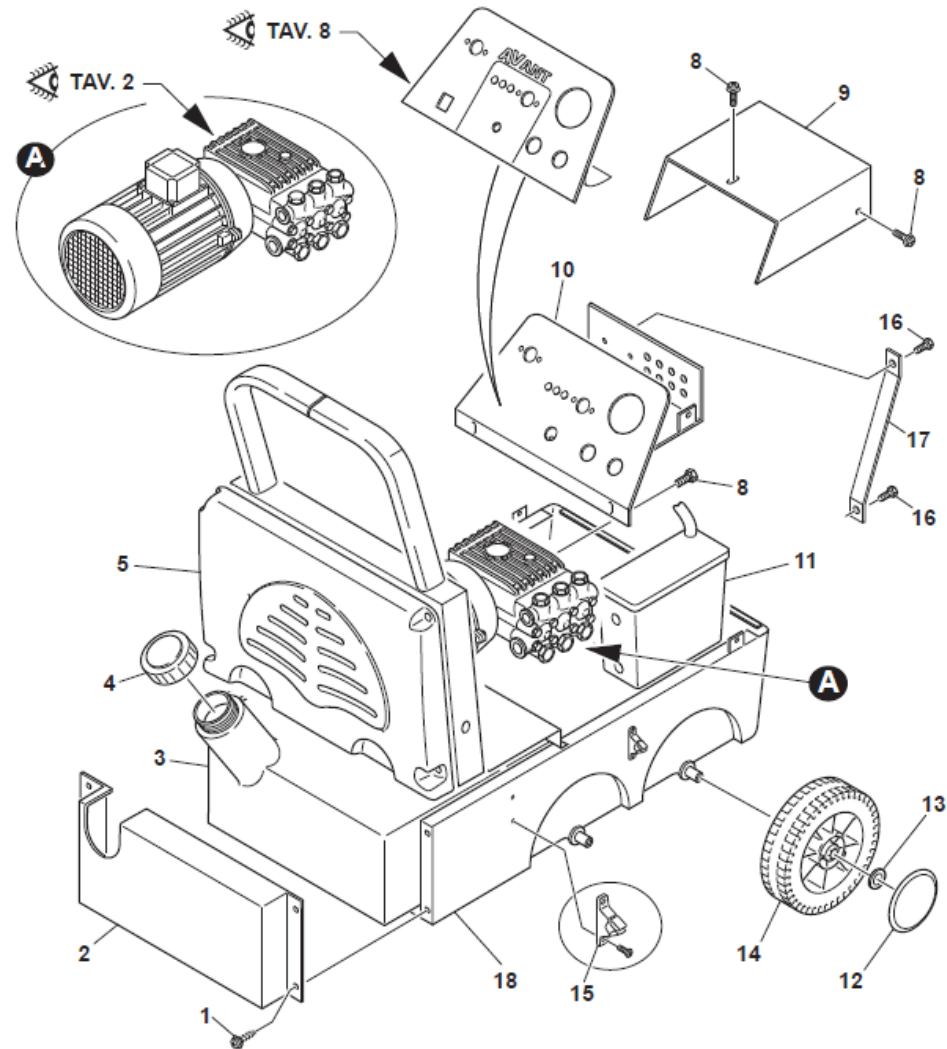
TAV 1 - MACHINE CHASSIS



Stainless steel cover



Plastic cover only for model "AVANT"



SPARE PARTS LIST
MAC AVANT

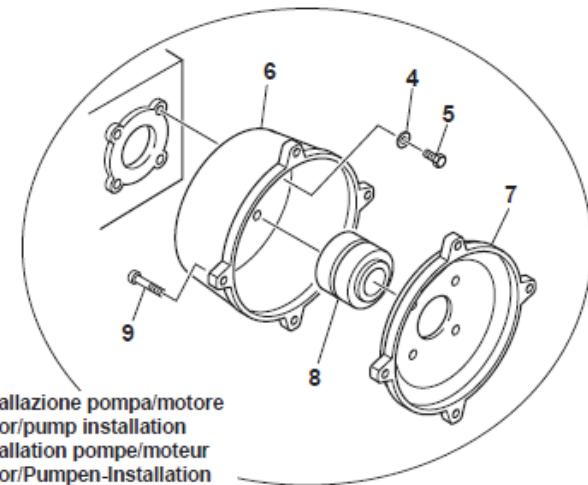
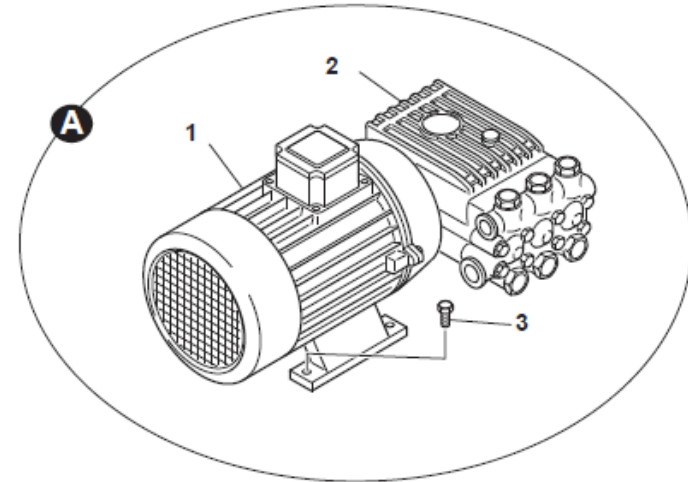
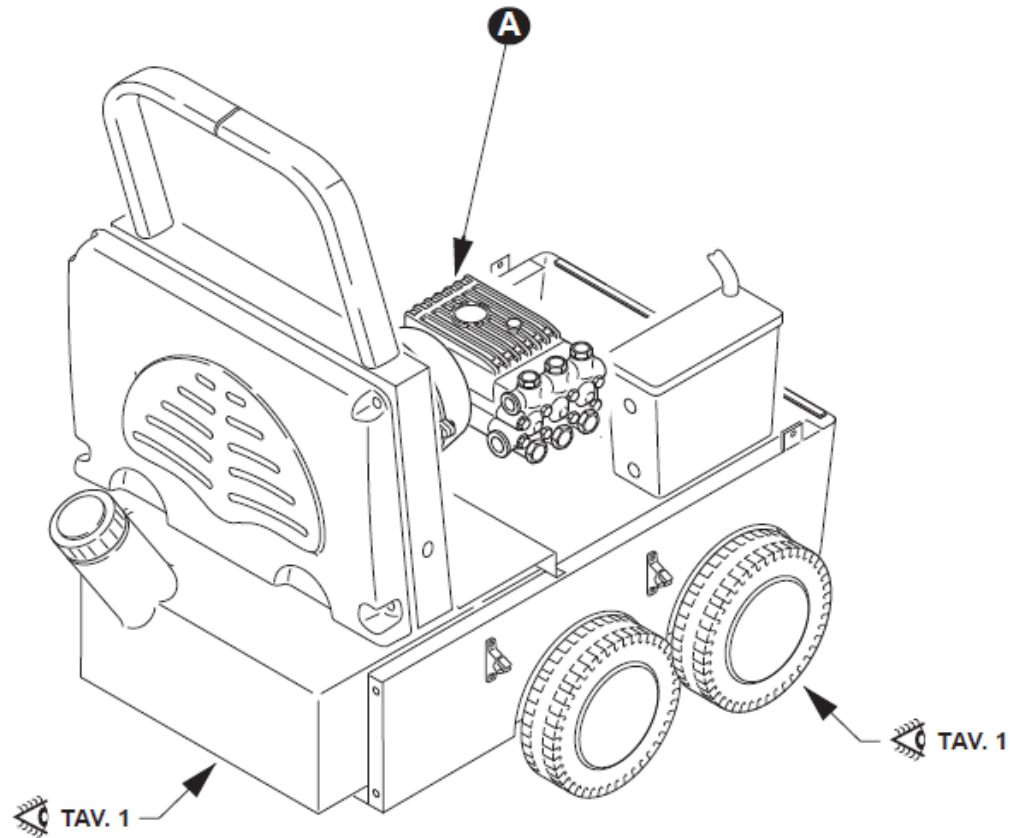


TAV 1 - MACHINE CHASSIS

| TAV POS. | PART NUMBER | QTY | DESCRIPTION | NOTES |
|----------|-------------------------|--------|----------------------------|---------------------------------------|
| 1 | 20.000.047 | 4 | Self-tapping screw | |
| 2 | 10.000.038 | 1 | Rear plate | |
| 3 | 20.000.047 | 4 | Self-tapping screw | |
| 4 | 10.000.012 + 10.000.009 | 1+1 | 16lt Fuel Tank Cap | Old style fuel tank – Up to 2013 |
| 4 | 10.000.471 + 10.000.473 | 01-Jan | 31lt Fuel Tank Cap | New style fuel tank – From 03/2013 |
| 5 | 10.000.036 | 1 | Plastic rear panel | |
| 6A | 10.000.040 | 1 | Plastic GRP cover | For all Avant GRP models |
| 6B | 10.000.073 | 1 | Stainless steel cover | |
| 7 | 20.000.042 | 4 | Bonnet screw | |
| 8 | 20.000.047 | 1 | Self-tapping screw | |
| 9 | 10.000.041 | 1 | Electrical panel cover | |
| 10 | 10.000.042 | 1 | Electrical panel | |
| 11 | 10.000.043 | 1 | Plastic water tank | |
| | 10.000.075 | 1 | Stainless steel water tank | Optional extra, or for MAC49 – 21/200 |
| 12 | 10.000.114 | 4 | Wheel cap | |
| 13 | 10.000.027 | 4 | Seeger | |
| 14 | 10.000.125 | 4 | Wheel d. 260 | |
| 15 | 10.000.487 | 1 | Clip | |
| 16 | - | 1 | Screw | |
| 17 | - | 1 | Electrical panel brake | |
| 18 | 10.000.037 | 1 | Chassis in painted steel | |
| 19 | 10.000.022 | 1 | Seal | |

SPARE PARTS LIST
MAC AVANT

TAV 2 - PUMP & MOTOR ASSEMBLY



Installazione pompa/motore
Motor/pump installation
Installation pompe/moteur
Motor/Pumpen-Installation
Instalación bomba/motor

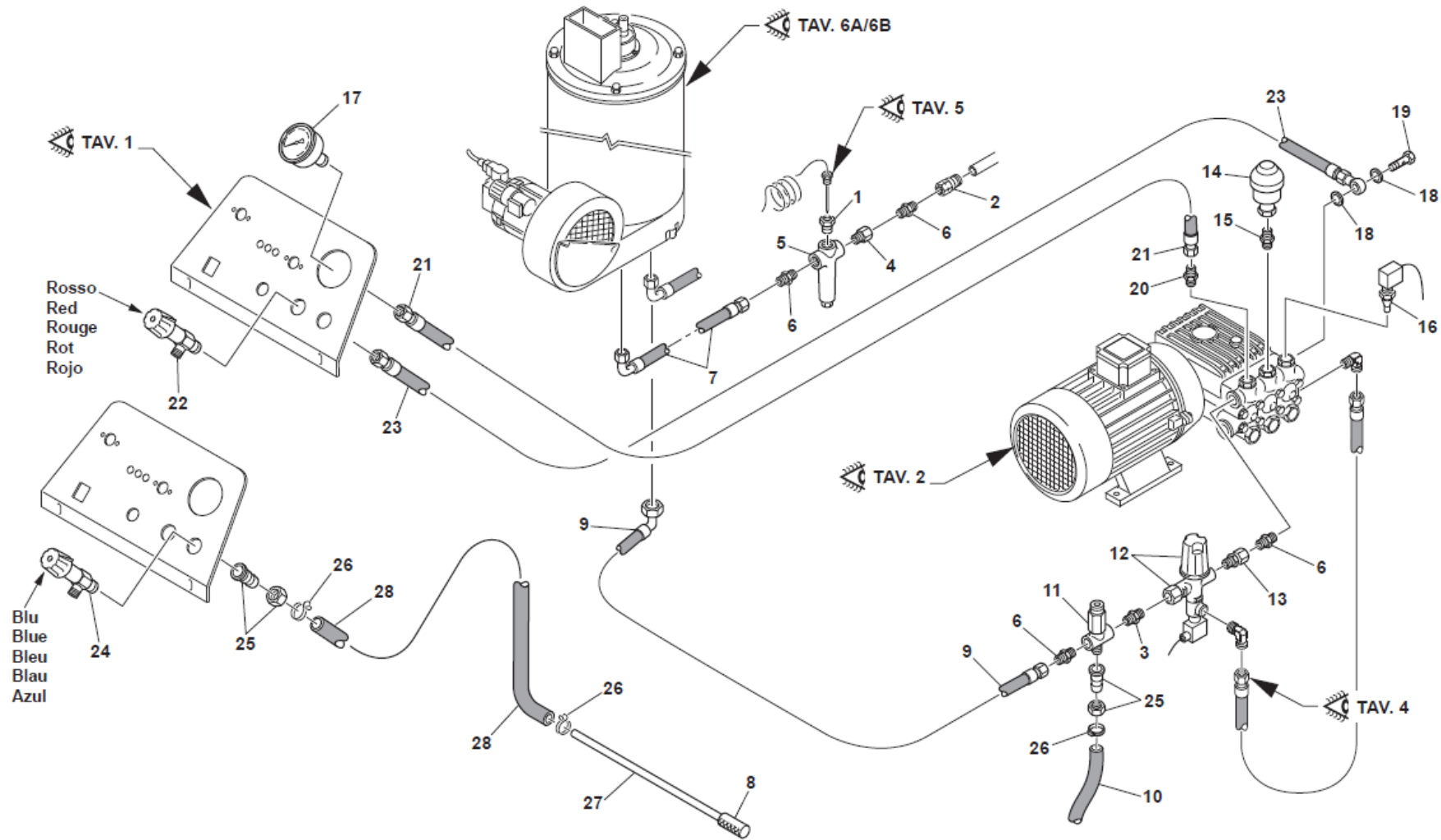
TAV 2 - PUMP & MOTOR ASSEMBLY

| TAV POS. | PART NUMBER | QTY | DESCRIPTION | NOTES |
|----------|-----------------------|-----|---|------------------------|
| 1 | MOTOR1 | 1 | Electric motor 2,2kw 3hp, 240v – hollow | For models: MAC1, MAC3 |
| | MOTOR3 | 1 | Electric motor 5,5kw 7,5hp, 415v – hollow | For models: MAC5, MAC4 |
| | MOTOR4 | 1 | Electric motor 7,5kw 10hp, 415v - hollow | For models: MAC49 |
| 2 | W140M | 1 | W140M Interpump – with shaft | For models: MAC1, MAC3 |
| | WS201 | 1 | WS201 Interpump – with shaft | For models: MAC5, MAC4 |
| | WS202 | 1 | WS202 Interpump – with shaft | For models: MAC49 |
| 3 | - | 1 | Screw | |
| 4 | - | 4 | Washer | |
| 5 | - | 4 | Screw | |
| 6 | - | 1 | External flange | |
| 7 | - | 1 | Internal flange | |
| 8 | 30.000.031.NIC | 1 | Elastic coupling | |
| 9 | - | 4 | Screw | |

SPARE PARTS LIST
MAC AVANT



TAV 3 - COUPLINGS AND INTERNAL PIPES



TAV 3 - COUPLINGS AND INTERNAL PIPES

| TAV POS. | PART NUMBER | QTY | DESCRIPTION | NOTES |
|----------|-------------|-----|---------------------------------------|-------|
| 1 | 20.000.017 | 1 | Thermostat holder coupling | |
| 2 | 90.263.131 | 1 | M22 3/8F coupling | |
| 3 | 20.000.013 | 1 | Cone nipple 3/8 - 3/8 | |
| 4 | 20.000.016 | 1 | 3/8 coupling | |
| 5 | 40.000.011 | 1 | Thermostat holder | |
| 6 | 20.000.010 | 1 | 3/8 MM coupling | |
| 7 | 90.000.038 | 1 | High pressure outlet hose | |
| 8 | 40.000.008 | 1 | Chemical filter - Non-return valve | |
| 9 | 90.000.015 | 1 | Delivery pipe | |
| 10 | 90.000.045 | 1 | Drain hose for safety valve | |
| 11 | 40.000.005 | 1 | Safety valve | |
| 12 | 40.000.003 | 1 | Bypass valve with micro (TST version) | |
| 13 | 20.000.012 | 1 | Turning nipple | |
| 14 | 40.000.010 | 1 | Accumulator | |
| 15 | 20.000.055 | 1 | ½ - ¼ nipple | |
| 16 | 70.000.005 | 1 | Pressure switch | |
| 17 | 40.000.019 | 1 | Pressure gauge d. 63 | |
| 18 | 20.000.006 | 2 | Copper washer | |
| 19 | 20.000.007 | 1 | Bolt with hole | |
| 20 | 20.000.014 | 1 | ¼ - ¼ nipple | |
| 21 | 90.000.062 | 1 | Manometer hose | |
| 22 | 40.000.056 | 1 | Steam valve | |

SPARE PARTS LIST
MAC AVANT



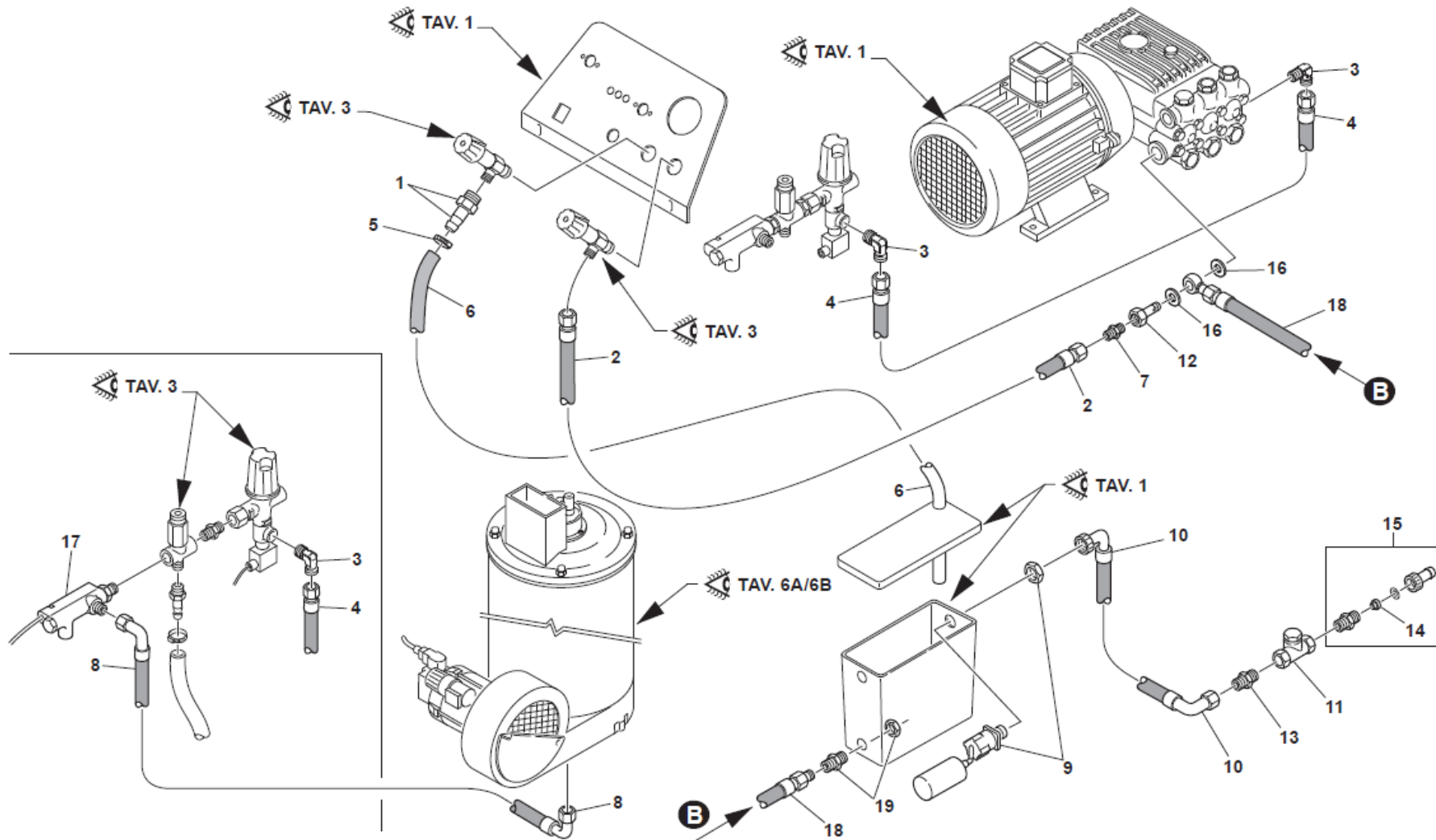
TAV 3 - COUPLINGS AND INTERNAL PIPES

| TAV POS. | PART NUMBER | QTY | DESCRIPTION | NOTES |
|----------|-------------|-----|---------------------|-------|
| 23 | 90.000.002 | 1 | Steam hose | |
| 24 | 40.000.007 | 1 | Chemical valve | |
| 25 | 20.000.151 | 1 | Complete coupling | |
| 26 | 90.000.011 | 1 | Clamp | |
| 27 | | 1 | Stainless steel bar | |
| 28 | | 1 | Pipe | |

SPARE PARTS LIST
MAC AVANT



TAV 4 - COUPLINGS AND INTERNAL PIPES

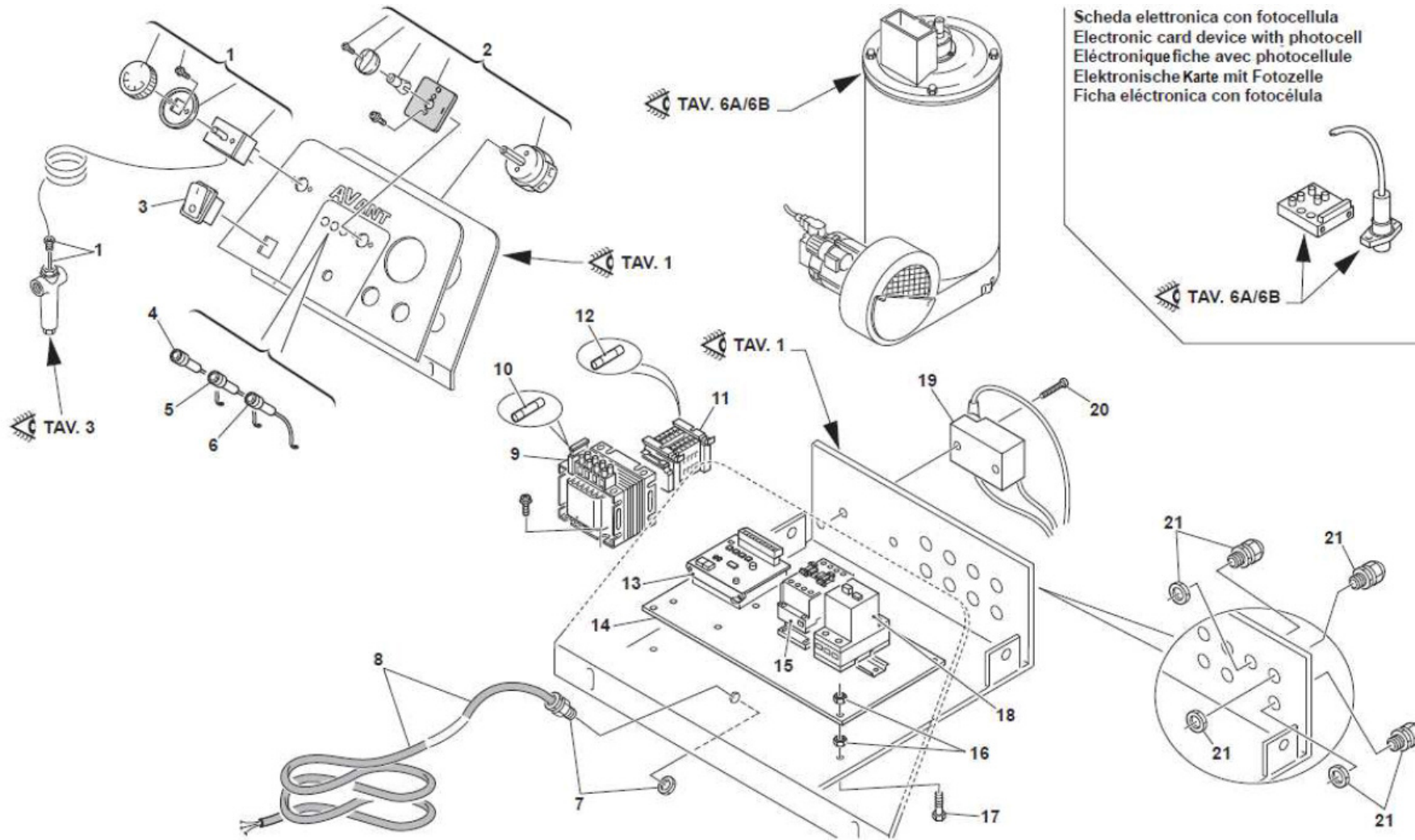


TAV 4 - COUPLINGS AND INTERNAL PIPES

| TAV POS. | PART NUMBER | QTY | DESCRIPTION | NOTES |
|----------|--------------------------------|-----|---|-------|
| 1 | 20.000.151 + 20.000.051 | 1 | Complete coupling | |
| 2 | 90.000.053 | 1 | Chemical pipe | |
| 3 | 20.000.011 | 1 | Brass fitting 3/8MM | |
| 4 | 90.000.006 | 1 | Bypass pipe | |
| 5 | 90.000.011 | 1 | Clamp | |
| 6 | 90.000.034 | 1 | Steam valve pipe | |
| 7 | 20.000.014 | 1 | Nipple ¼ | |
| 8 | 90.000.022 | 1 | Flow switch pipe 3/8 | |
| 9 | 40.000.001 | 1 | Water float valve | |
| 10 | 90.000.041 | 1 | Water supply pipe | |
| 11 | 40.000.000 | 1 | Brass water filter | |
| 12 | 20.000.052 | 1 | Bolt with hollow and thread | |
| 13 | 20.000.004 | 1 | Nipple ½ | |
| 14 | 40.000.012 | 1 | Plastic water inlet filter | |
| 15 | 20.000.000 | 1 | Complete water coupling | |
| 16 | 20.001.003 | 2 | Copper washer ½ | |
| 17 | 40.000.006 | 1 | Flow switch | |
| 18 | 90.000.151 | 1 | Water suction pipe (21lt) | |
| | 90.000.042 | | Water suction pipe (15lt) | |
| 19 | 20.000.001 | 1 | Nipple ¾ water tank (21lt) | |
| | 20.000.004 + 20.000.064 | | Nipple ½ water tank (15lt) + eye ½ (15lt) | |

SPARE PARTS LIST
MAC AVANT

TAV 5



TAV 5 – ELECTRIC PANEL

| TAV POS. | PART NUMBER | QTY | DESCRIPTION | NOTES |
|----------|-------------|-----|---|---|
| 1 | 70.000.014 | 1 | Thermostat | |
| 2 | 70.000.045 | 1 | On/off switch | |
| 3 | 70.000.015 | 1 | Burner on/off switch | |
| 4 | 70.000.016 | 1 | Green warning light | |
| 5 | 70.000.116 | 1 | Orange warning light | |
| 6 | 70.000.216 | 1 | Red warning light | For flame failure & leak detection option |
| 7 | 70.000.001 | 1 | PG16 cable ring | |
| 8 | 70.000.121 | 1 | Three phase cable | |
| 9 | 70.000.010 | 1 | 24v step down transformer | |
| 10 | 70.000.260 | 1 | Fuse for transformer | |
| 11 | 70.000.024 | 1 | Fuse holder | |
| 12 | 70.000.060 | 1 | Fuse for fuse holder | |
| 13 | 70.000.114 | 1 | PCB with flame failure and leak detection | For flame failure & leak detection option |
| | 70.000.011 | 1 | Standard PCB | |
| 14 | 70.000.006 | 1 | Plastic panel | |
| 15 | 70.000.209 | 1 | Contactor – 5.5kw | |
| | 70.000.109 | 1 | Contactor – 7.5kw 21/200 | For model: MAC49 |
| 16 | 20.000.031 | 2 | Nut | |
| 17 | 20.000.048 | 4 | Screw | |
| 18 | 70.000.008 | 1 | Overload switch – 16amp | |
| | 70.000.108 | 1 | Overload switch – 20amp | |
| | 70.000.208 | 1 | Overload switch – 25amp | |

SPARE PARTS LIST
MAC AVANT

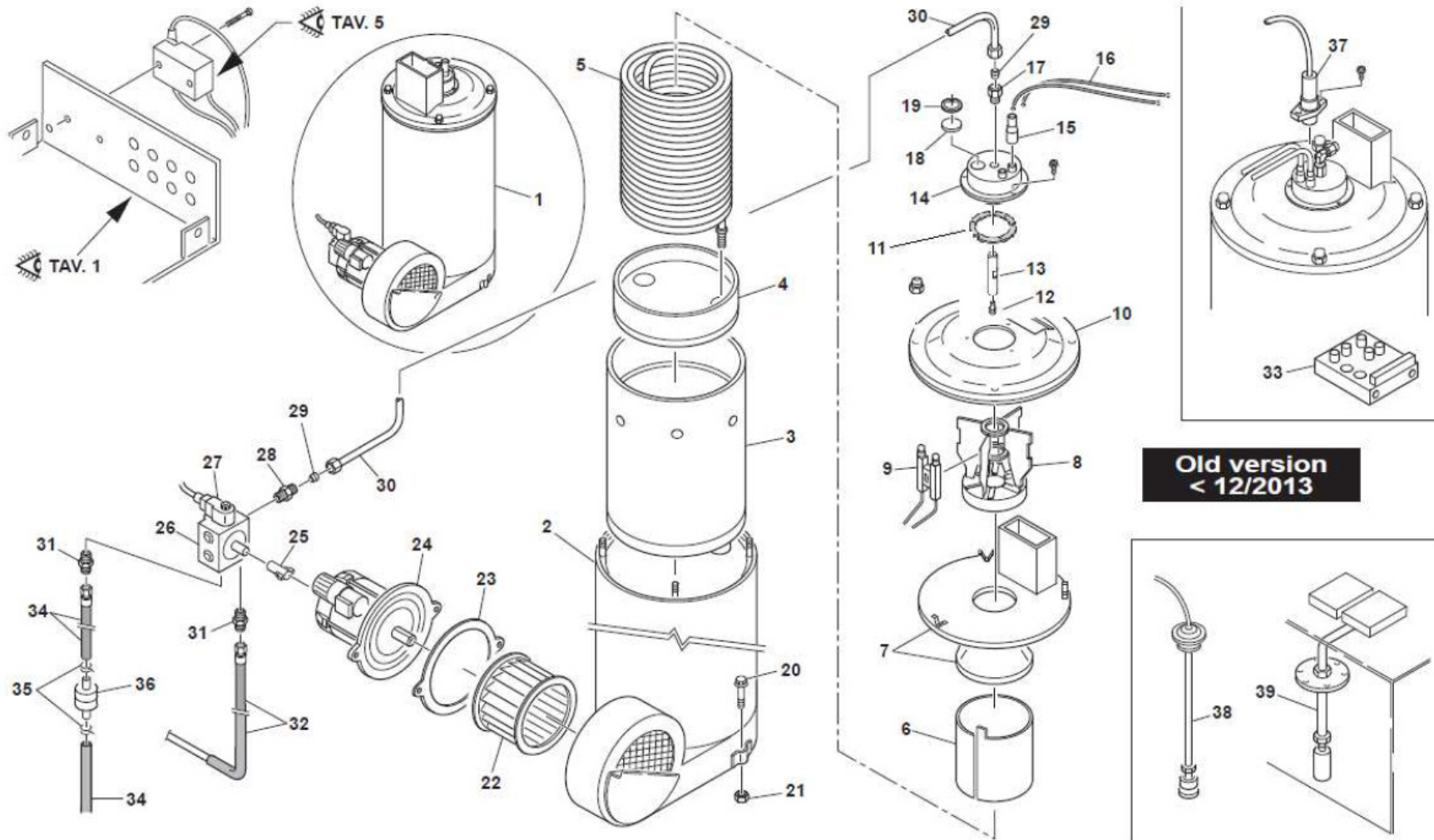


TAV 5 – ELECTRIC PANEL

| TAV POS. | PART NUMBER | QTY | DESCRIPTION | NOTES |
|----------|-------------------|-----|-------------------------|------------------------------------|
| 19 | 70.000.163 | 1 | HT ignition transformer | For M2 boiler |
| 19 | 70.000.263 | 1 | HT ignition transformer | For High Efficiency M2 boiler only |
| 20 | 20.000.600 | 2 | Self-tapping screw | |
| 21 | 70.000.003 | 8 | PG7 cable gland | |

SPARE PARTS LIST
MAC AVANT

TAB 6A



SPARE PARTS LIST
MAC AVANT



TAV. 6A – BOILER ASSEMBLY OLD VERSION

| TAV POS. | PART NUMBER | QTY | DESCRIPTION | NOTES |
|----------|-------------|-----|---------------------------------|-------|
| 1 | 50.000.301 | 1 | Complete boiler | |
| 2 | 50.001.033 | 1 | Boiler body c/w S.S fan housing | |
| 3 | 50.000.003 | 1 | Boiler liner | |
| 4 | 50.000.085 | 1 | Cement refractory | |
| 5 | 50.000.043 | 1 | Heavy-duty coil | |
| 6 | 50.000.008 | 1 | Band | |
| 7 | 50.000.032 | 1 | Complete head c/w chimney | |
| 8 | 50.000.010 | 1 | Burner deflector | |
| 9 | 50.000.011 | 1 | Electrodes | |
| 10 | 50.000.012 | 1 | S.S upper cover | |
| 11 | 50.000.015 | 1 | Burner gasket | |
| 12 | 50.000.013 | 1 | Fuel nozzle | |
| 13 | 50.000.014 | 1 | Fuel nozzle holder | |
| 14 | 50.000.016 | 1 | Aluminum burner cover | |
| 15 | 50.000.025 | 2 | HT caps | |
| 16 | 70.000.018 | 2 | HT leads | |
| 17 | 20.000.024 | 1 | Extension | |
| 18 | 50.000.017 | 1 | Sight glass | |
| 19 | 50.000.018 | 1 | Seeger | |
| 20 | - | 3 | Screw | |
| 21 | 20.000.022 | 3 | Nut | |
| 22 | 50.000.020 | 1 | Burner motor fan | |

SPARE PARTS LIST
MAC AVANT

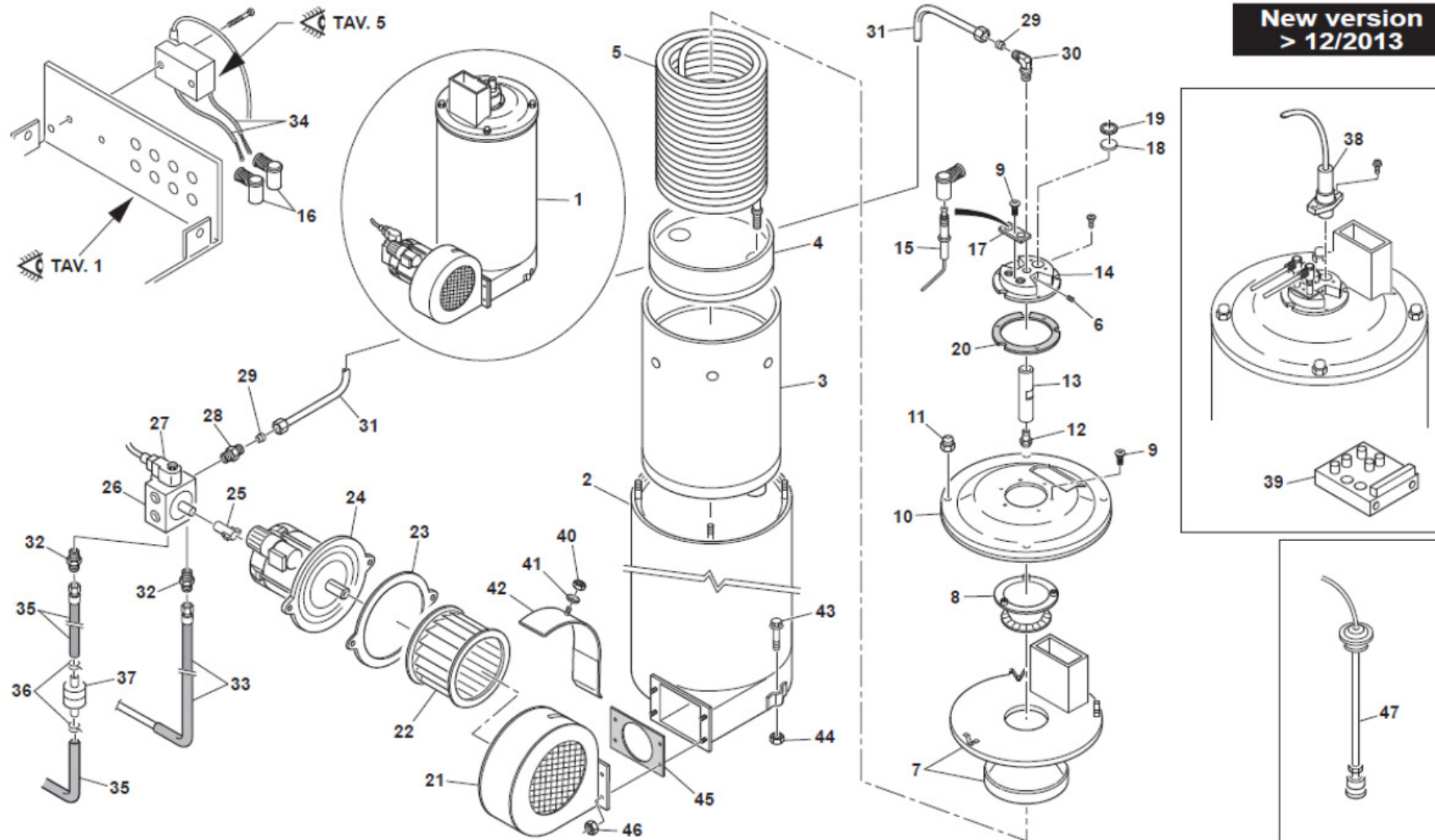


TAV. 6A – BOILER ASSEMBLY OLD VERSION

| TAV POS. | PART NUMBER | QTY | DESCRIPTION | NOTES |
|----------|--------------|-----|--|--------------------------------|
| 23 | 50.000.172.1 | 1 | Burner gasket | |
| 24 | 50.000.221 | 1 | Burner motor | |
| 25 | 50.000.022 | 1 | Fuel pump drive peg | |
| 26 | 50.000.029 | 1 | Fuel pump | |
| 27 | 50.000.024 | 1 | 24V fuel solenoid valve | |
| 28 | 90.000.048.1 | 1 | 1/8 Coupling | |
| 29 | | 1 | Olive | |
| 30 | | 1 | Complete fuel copper pipe inlet | |
| 31 | 20.000.014 | 2 | Nipple ¼ MM | |
| 32 | 90.000.157 | 1 | Fuel return pipe | |
| 33 | 70.000.114 | 1 | PCB for flame failure & leak detection | ACCESSORY NUMBER: AVANT/ACC003 |
| 34 | 90.000.156 | 1 | Fuel suction pipe | |
| 35 | 90.000.011 | 2 | Clamp | |
| 36 | 50.000.019 | 1 | Fuel filter | |
| 37 | 70.000.115 | 1 | Photocell for flame failure | ACCESSORY NUMBER: AVANT/ACC003 |
| 38 | 70.000.322 | 1 | 30lt fuel tank sensor | |
| 39 | 70.000.022.1 | 1 | 16lt fuel tank sensor new vers. | |
| | 70.000.022 | 1 | 16lt fuel tank sensor old vers. | |

SPARE PARTS LIST
MAC AVANT

TAB 6B



SPARE PARTS LIST
MAC AVANT



TAV. 6B – BOILER ASSEMBLY NEW VERSION

| TAV POS. | PART NUMBER | QTY | DESCRIPTION | NOTES |
|----------|--------------|-----|---------------------------------|-------|
| 1 | 50.001.002 | 1 | Complete boiler | |
| 2 | 50.000.002 | 1 | Boiler body c/w S.S fan housing | |
| 3 | 50.000.003 | 1 | Boiler liner | |
| 4 | 50.000.118 | 1 | Cement refractory | |
| 5 | 50.000.006.1 | 1 | Heavy duty coil | |
| 6 | | 1 | Dowel | |
| 7 | 50.000.032.1 | 1 | Complete head c/w chimney | |
| 8 | 50.000.069.1 | 1 | Deflector | |
| 9 | | 6 | Screw | |
| 10 | 50.000.012.1 | 1 | S.S cover | |
| 11 | 20.000.025 | 4 | Nut | |
| 12 | 50.000.013 | 1 | Fuel nozzle | |
| 13 | 50.000.115 | 1 | Fuel nozzle holder | |
| 14 | 50.000.016.1 | 1 | Aluminium burner cover | |
| 15 | 50.000.211 | 2 | Electrodes | |
| 16 | 50.000.116 | 2 | Connector | |
| 17 | 10.001.007 | 1 | Electrode fixing plate | |
| 18 | 50.000.017 | 1 | Sight glass | |
| 19 | 50.000.018 | 1 | Seeger | |
| 20 | 50.000.015 | 1 | Gasket | |
| 21 | 50.000.251 | 1 | S.S ventilation | |
| 22 | 50.000.109 | 1 | Burner motor fan | |

TAV. 6B – BOILER ASSEMBLY NEW VERSION

| TAV POS. | PART NUMBER | QTY | DESCRIPTION | NOTES |
|----------|--------------|-----|--|---|
| 23 | 50.000.172 | 1 | Gasket | |
| 24 | 50.000.021 | 1 | Burner motor | |
| 25 | 50.000.022 | 1 | Fuel pump drive peg | |
| 26 | 50.000.029 | 1 | Fuel pump | |
| 27 | 50.000.024 | 1 | 24V fuel solenoid valve | |
| 28 | | 1 | 1/8 Coupling | |
| 29 | | 1 | Olive | |
| 30 | 20.000.019 | 1 | 90° fitting | |
| 31 | | 1 | Inlet fuel pipe | |
| 32 | 20.000.014 | 2 | Nipple | |
| 33 | 90.000.047 | 1 | Outlet fuel pipe | |
| 34 | 70.000.018.1 | 2 | HT leads | For Brahma ignition transformer - 70.000.263 only |
| 35 | 90.000.046 | 1 | Fuel suction pipe | |
| 36 | 90.000.011 | 2 | Clamp | |
| 37 | 50.000.019 | 1 | Fuel filter | |
| 38 | 70.000.015 | 1 | Photocell for flame failure | ACCESSORY NUMBER: AVANT/ACC003 |
| 39 | 70.000.114 | 1 | PCB for flame failure & leak detection | ACCESSORY NUMBER: AVANT/ACC003 |
| 40 | | 1 | Nut | |
| 41 | | 1 | Washer | |
| 42 | | 1 | - | |
| 43 | | 3 | Screw | |
| 44 | | 3 | Nut | |

SPARE PARTS LIST
MAC AVANT

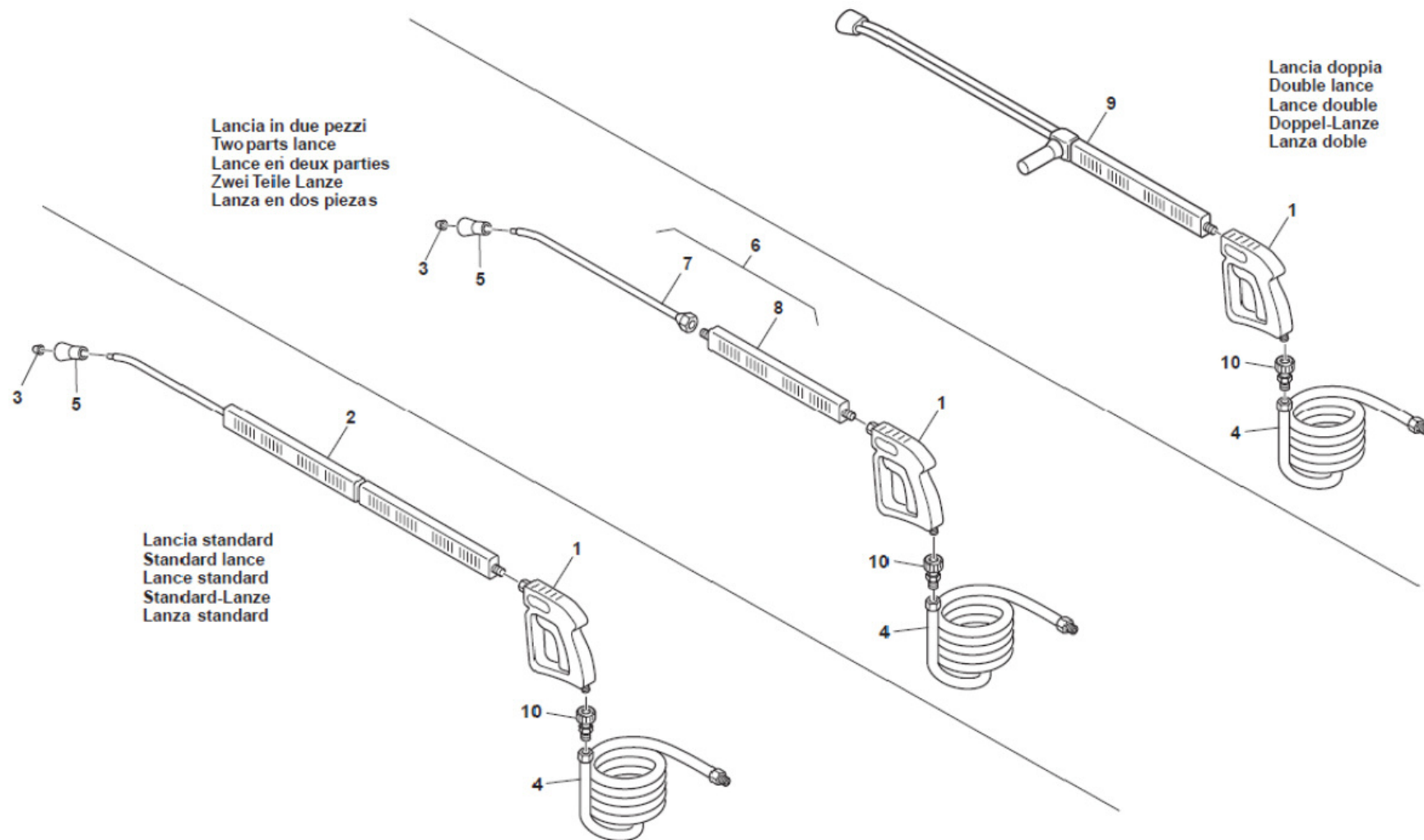


TAV. 6B – BOILER ASSEMBLY NEW VERSION

| TAV POS. | PART NUMBER | QTY | DESCRIPTION | NOTES |
|----------|-------------------|-----|------------------|-------|
| 45 | 50.000.072 | 1 | Gasket | |
| 46 | | 4 | Nut | |
| 47 | 70.000.322 | 1 | Fuel tank sensor | |

SPARE PARTS LIST
MAC AVANT

TAB 7



SPARE PARTS LIST
MAC AVANT



TAV 7 – ACCESSORIES

| TAV POS. | PART NUMBER | QTY | DESCRIPTION | NOTES |
|----------|-------------|-----|---------------------------|-------|
| 1 | 80.000.001 | 1 | RL37 Trigger with swivel | |
| 2 | 80.000.006 | 1 | Lance - 700mm | |
| | 80.000.005 | 1 | Lance - 900mm | |
| | 80.000.002 | 1 | Lance - 1200mm | |
| | 80.000.007 | 1 | Lance - 1500mm | |
| | 80.000.008 | 1 | Lance - 1700mm | |
| | 80.000.012 | 1 | S.S Lance – 1700mm | |
| | 80.000.011 | 1 | S.S Lance – 900mm | |
| | 80.000.013 | 1 | S.S Lance – 1200mm | |
| 3 | 80.000.000 | 1 | Jet | |
| 4 | 90.000.019 | 1 | High pressure hose – 10mt | |
| 5 | 80.000.003 | 1 | Nozzle protector | |
| 6 | 80.000.010 | 1 | Half Lance | |
| 7 | 80.000.104 | 1 | Lance end | |
| 8 | 80.000.029 | 1 | Insulating handle | |
| 9 | 80.000.009 | 1 | Twin lance | |
| 10 | - | 1 | Coupling | |

SPARE PARTS LIST
MAC AVANT

TAB 8



2

| | | | |
|--------------------|--------|------------|--------|
| MAC INTERNATIONAL | | | |
| CODE | XXXXXX | TYPE | XXXXXX |
| REGULATION | IPX5 | YEAR | XXXXXX |
| MAX. PRESSURE BAR | 100 | AT WORKING | 11 |
| VOLTAGE | XXXXX | FREQUENCY | 50 HZ |
| APPLICAT 410 | 0 | ART.265 | 13.5 |
| MAX TEMPERATURE °C | 0-100 | AT BAR | 0-150 |
| FUEL | DIESEL | HEAVY | 80 |



SPARE PARTS LIST
MAC AVANT



TAV 8 – LABELS & WARNING STICKERS

| TAV POS. | PART NUMBER | QTY | DESCRIPTION | NOTES |
|----------|-------------|-----|----------------------------|-------|
| 1 | 120.000.020 | 1 | Sticker "Control panel" | |
| 2 | 120.000.002 | 1 | Sticker "Technical data" | |
| 3 | 120.000.004 | 1 | Sticker "Fuel tank cap" | |
| 4 | 120.000.019 | 1 | Sticker "Avant" | |
| 5 | 120.000.026 | 1 | Sticker "MAC Logo" | |
| 6 | 120.000.003 | 1 | Sticker "Hot do not touch" | |
| 7 | 120.000.015 | 1 | Sticker "Water out" | |
| 8 | 120.000.014 | 1 | Sticker "Water in" | |
| 9 | 120.000.017 | 1 | Sticker "Do not wash" | |

TAV 8 – LABELS & WARNING STICKERS

| TAV POS. | PART NUMBER | QTY | DESCRIPTION | NOTES |
|----------|-------------|-----|----------------------|-------|
| 1 | 120.000.007 | 1 | Sticker "CE logo" | |
| 2 | 120.000.018 | 1 | Sticker "Decibel" | |
| 3 | - | 1 | Sticker "TST" | |
| 4 | 120.000.025 | 1 | Sticker "Vibrations" | |
| 5B | 120.000.042 | 1 | Sticker "200/21" | |
| 5C | 120.000.041 | 1 | Sticker "200/15" | |
| 5D | | 1 | Sticker "100/12" | |
| 6 | 120.000.005 | 1 | Sticker "Earthing" | |
| 7C | 120.000.035 | 1 | Sticker "240v" | |
| 7D | 120.000.036 | 1 | Sticker "415v" | |